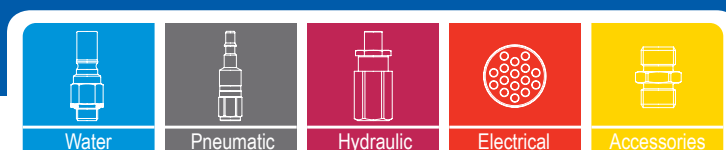


rtc[®]

COUPLING TECHNOLOGY





rtc Couplings Profile

Reliable - Innovative - Passionately

Coupling system is our passion.

rtc Couplings delivers coupling- multicoupling systems and docking systems for hydraulics, water, pneumatics and electrics. We offer a complete range of more than 10,000 different products and applications.

Couplers from rtc are produced on highest safety standards with many own and compatible profiles to common manufacturers in hydraulics, water, gas and pneumatics areas. Our main customers are coming from the machine building side, car, plastics, painting and chemical industry.

We have a direct line to our customer, developing new products together with him, analyzing customer satisfaction on a regular base and live a continuous process of improvement.

Right now, we are already exporting 95% of our products to 5 different continents and more than 55 countries all over the world with 10 direct sales and technical support offices. We are expanding everyday by offering better quality with affordable pricing.

We are ready for any challenge!

rtc Couplings Profil

Verantwortungsbewusst - Innovativ - Leidenschaftlich

Kupplungen sind für uns keine Handelsware - sondern Leidenschaft.

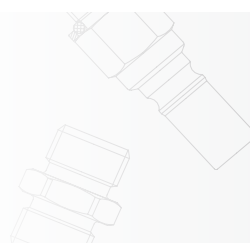
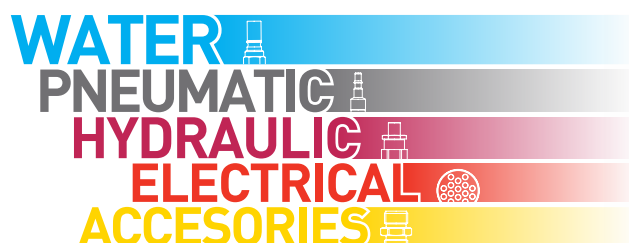
rtc Couplings liefert Ihnen Schnellkupplungen für Hydraulik, Pneumatik und Wasser sowie von Multikupplungen für verschiedenste Medien. Das Unternehmen bietet ein komplettes Portfolio von mehr als 10.000 Produkten und Zubehör an.

Schnellkupplungen von rtc Couplings bieten einen hohen Sicherheitsstandard. Sie sind kompatibel zu vielen Kupplungen für Hydrauliköl, Wasser, andere flüssige Medien, Gas und Druckluft. Anwender von unseren Systemen sind vor allem Maschinen- und Werkzeugbauer, Kunststoff- und Metallverarbeiter, aber auch die Lackierindustrie, die chemische Industrie sowie der Apparatebau und die Prüfstandtechnik.

Die Vertriebsorganisationen betreuen ihre Kunden persönlich, entwickeln neue Produkte gemeinsam mit ihnen, analysieren regelmäßig die Kundenzufriedenheit und leben einen kontinuierlichen Verbesserungsprozess.

Aktuell ist der Exportanteil über 95%. Tag für Tag liefern wir in 5 Kontinente und an mehr als 55 Länder weltweit und 10 Direktvertrieb und technischen Support-Niederlassungen. Premiumprodukte zu marktgerechten Preisen.

Arbeiten Sie direkt mit dem Hersteller - fordern Sie uns heraus!



rtc[®]
COUPLING TECHNOLOGY

Products	Pages
Seals And Coupling Materials Using Table	4 - 5
Explanation of rtc type Codes	6
Hose Connection Types & Symbols	7
rtc type 002 - Standard Pneumatic Coupling	8 - 11
rtc type 003 - Pneumatic Mini Serie Coupling	12 - 15
rtc type 013 - Japanese Profile Pneumatic Coupling	16 - 19
rtc type 014 - Pneumatic Coupling	20 - 23
rtc type 017 - English Profile Pneumatic Coupling	24 - 27
rtc type 019 - English Profile Pneumatic Coupling	28 - 31
rtc type 020 - Miniature Pneumatic Coupling	32 - 37
rtc type 021 - Pneumatic & Water Coupling (Coded Serie)	38 - 45
rtc type 022 - Pneumatic Coupling	46 - 49
rtc type 023 - Pneumatic Coupling	50 - 53
rtc type 025 - Pneumatic & Water Coupling (Coded Serie)	54 - 61
rtc type 026 - Standart Pneumatic Coupling	62 - 67
rtc type 027 - Pneumatic Coupling	68 - 71
rtc type 030 - Pneumatic Coupling ISO 6150-B-15	72 - 75
rtc type 032 - Pneumatic Coupling	76 - 79
rtc type 033 - Pneumatic Coupling	80 - 83
rtc type 034 - Pneumatic Coupling	84 - 87
rtc type 035 - Safety type Pneumatic Coupling	88 - 91
rtc type 036 - Safety type Pneumatic Coupling	92 - 95
rtc type 037 - Pneumatic Coupling	96 - 99
rtc type 038 - Pneumatic Coupling	100 - 103
rtc type 045 - Full Flow Coupling	104 - 107
rtc type 046 - Multi Purpose Coupling	108 - 111
rtc type 055 - Spanish Profile Pneumatic Coupling	112 - 114
rtc type 069 - Multi Purpose Coupling for all type of fluids	116 - 118
rtc type 070 - Water & Hydraulic up to 2.5" ISO 7241-B	120 - 123
rtc type 071 - Flat Faced Hydraulic Coupling	124 - 126
rtc type 072 - Flat Faced Hydraulic ISO 16028	128 - 130
rtc type 074 - Hydraulic Coupling Japanese Profile	132 - 135
rtc type UHP - Ultimate High Pressure Couplings (rtc type 080, 081, 082, 083)	136 - 145
rtc type 088 - Hydraulic Coupling ISO 15171-1	146 - 148
rtc type 089 - Hydraulic Coupling	150 - 152
rtc type 090 - European Profile Water Coupling	154 - 165
rtc type 092 - Knock-out / Ejector Coupler	166 - 169
rtc type 093 - Flat Faced Water Coupling for Multi Plates	170 - 173
rtc type 094 - Japanese Profile Water Coupling	174 - 177
rtc type 097 - Flat Faced Water and Air Coupling for Multi Plates & Robots	178 - 181
rtc type 098 - Flat Faced Water and Air Coupling for Multi Plates & Robots	182 - 185
rtc type 099 - International Profile Water Coupling	186 - 197
rtc type 100 - French Profile Water Coupling	198 - 205
rtc type 101 - Water and Air Coupling up to 2"	206 - 213
rtc type 102 - Flat Faced Water and Oil Coupler up to 50 bars	214 - 221
rtc type 103 - Flat Faced Pressure Connection type Hydraulic Coupler up to 500 bars	222 - 225
rtc type 104 - Flat Faced Hydraulic Coupler for Multi Plates up to 500 bars	226 - 233
rtc type 105 - Leak Tight Water & Oil Coupling	234 - 237
rtc type 106 - Free Flow Coupler up to 4"	238 - 241
rtc type 108 - Medium Pressure Flat Face Coupler for Water and Hydraulic 200 bars	242 - 245
rtc type 110 - Railway Coupling for Hydraulic Applications	246 - 249
rtc type 115 - Flat Faced Hydraulic Coupler for Multi Plates 100 bars	250 - 253
rtc type 123 - Flat Face Rotary Locking Mechanism for All Fluids	254 - 257
rtc type 124 - Flat Faced Pressure Connction type Hydraulic Coupler up to 500 bars	258 - 261
rtc type 126 - Screw Safety type Hydraulic Coupler Anti-Vibration Disconnection up to 500 bars	262 - 267
rtc type 127 - 2" Double Shut-off Low Pressure Coupling	268 - 270
rtc type 131 - Railway Cooling Coupling	272 - 275
rtc type 152 - Flat Face Water Coupling	276 - 281
rtc type 170 - Multi Purpose Button Configured Coupling ISO 6150-C Plug Profile	282 - 295
rtc type 171 - 2 Stage Safety type ISO 4414 Button Configured Coupling ISO 6150-C Plug Profile	296 - 301

Products	Pages
rtc type 172 - 2 Stage Safety type ISO 4414 Button Configured Plastic Coupling ISO 6150-C Plug Profile	302 - 305
rtc type 173 - Multi Purpose Coupling for Multi Plates ISO 6150-C Plug Profile	306 - 310
rtc type 200 - Multi Purpose Coupling	312 - 325
rtc type 201 - Medium Pressure Coupling	326 - 334
rtc type 202 - High Pressure Coupling	336 - 341
rtc type 203 - High Temperature Coupling	342 - 345
rtc type 204 - Coded Un-Interchangeable Coupling	346 - 351
rtc type 205 - Low Pressure Leak-Tight Coupling	352 - 357
rtc type 219 - High Temperature Oil Coupler for 325°C	358 - 360
rtc type SV - Rotary Sleeve Couplers with Safety Feature	362 - 363
rtc type 450 - SV 2-Stage (Metal Sleeve type)	364 - 380
rtc type 451 - SV 2-Stage (Plastic Sleeve type)	382 - 389
rtc type 452 - SV 2-Stage (Key Coded type)	390 - 399
rtc type 453 - Heavy Duty	400 - 403
rtc type 454 - Heavy Duty Coded	404 - 411
rtc type SC - Safety Pneumatic Couplers with Full Flow	412 - 413
rtc type 460.06 / SC-B1	414 - 417
rtc type 460.08 / SC-E	418 - 421
rtc type 460.11 / SC-H&HB	422 - 425
rtc type 461.06 / SC-K	426 - 429
rtc type 461.08 / SC-E1	430 - 433
rtc type 461.11 / SC-G	434 - 437
rtc type 461.19 / SC-I	438 - 441
rtc type 462.06 / SC-A1	442 - 445
rtc type 463.08 / SC-C	446 - 449
rtc type 464.08 / SC-D&DL	450 - 453
rtc type 465.08 / SC-M	454 - 457
rtc type 466.06 / SC-P	458 - 461
rtc type 467.06 / SC-N	446 - 465
rtc type 468.08 / SC-Q1	466 - 469
rtc type M090 - European Plug Profile Water Multi-Couplings	470 - 479
rtc type M099 - International Plug Profile Water Multi-Couplings	480 - 489
rtc type M101 - Water Multi-Couplings	490 - 525
rtc type M103 - Pressure Connection Hydraulic Multi-Couplings	526 - 533
rtc type M104 - Hydraulic Multi-Couplings	534 - 545
rtc type M115 - Hydraulic Multi-Couplings	546 - 557
rtc type M150 - Water Multi-Couplings	558 - 571
rtc type M152 - Flat-face Water Multi-Couplings (Mono-Coupling Version)	572 - 597
rtc type M153 - Flat-face Water Multi-Couplings	598 - 604
rtc type 117 - Brass Collector / Manifold	606
rtc type 118 - Aluminium Collector / Manifold	607
rtc type 119 - Stainless Steel Collector / Manifold	608
rtc type Mould Accessories	609
BC / BCO / NOP - Threadless Pressure Plugs	610
PPR / PPK / PPG / PPM / PPO / PPD - Male Pressure Plugs	611
MHN / FHN - Male & Female Hose Nipples	612 - 613
FHNN / MHN / SRG - Hose Adapters	614
MMN / MAM / MFN / TE - Male & Female Adapters	615
SPN / MRN / RRN / MMS - Swivel Hose Nipples and Male Adapters	616 - 617
EBFM / ELB / CPW2 / CPE - 45° & 90° Angular Adapters & Hose Clamps	618
SBM / TBM - Straight and Turbo Baffles	619
KVFM / KVFF / SVFM / SVFF / TVFM / TVFF - Ball Valves	620 - 621
rtc type Push to Connect Hoses - Clampless Hoses	622 - 623
rtc type RTH - PTFE High Temperature Hose	624
rtc type WFR - Water Flow Regulator	625
rtc type MMC - Mobile Mold Cleaning Machine	626 - 627
rtc type M303 - MiniCon (Pneumatic Multi Connector for Robotics)	628 - 633
rtc type EC - Electrical Connectors	634 - 641
rtc type Manifolds in Industrial Applications - Assembly Pictures	642 - 644

NBR (Nitrile)	FPM (Viton)	EPDM	PTFE (Teflon)
<p>Main properties: Resistant to oil and petrol good ageing characteristics, high abrasion resistance.</p> <p>Als Dichtungswerkstoffe stehen folgende Serienqualitäten zur Verfügung: Perbunan, Haupteigenschaften: Beständigkeit gegen Öl und Benzin, gute Alterungsbeständigkeit, hoher Schutz gegen Abrieb.</p>	<p>Main properties: Outstanding heat resistant performance, excellent resistance to oils, chemicals, solvent, active oxygen, and weather.</p> <p>Viton, Haupteigenschaften: überragende Hitzebeständigkeit, ausgezeichnete Beständigkeit gegen Öl, Chemikalien, Lösungsmittel, Ozon, Sauerstoff und Witterung.</p>	<p>Main properties Ethylen Propylene, High mechanical strength, excellent resistance to high and low temperatures and to active oxygen and weather. Good resistance to chemical media.</p> <p>EP, Athylen Propylen, Haupteigenschaften: Hohe mechanische Festigkeit. Ausgezeichnete Wärme und Kältebeständigkeit. Hervorragende Beständigkeit gegen Ozon und Witterungseinflüsse. Gute chemische Beständigkeit</p>	<p>For very aggressive media special constructions with PTFE seals (Teflon) are available. Für sehr aggressive Medien sind Sonderkopplungen mit PTFE-Dichtungen (Teflon) verfügbar: Alle Angaben sind unverbindlich und dienen nur zur Orientierung. Sie gelten 1.für reine Stoffe, 2. wenn nicht anders angegeben für Raumtemperatur. 3.bei Salzen, Säuren usw., für wässrige Lösungen mäßiger Konzentrationen. Teflon-eingetragenes 'Dupont'-Warenzeichen.</p>

Symbols - Korrosionstabelle	Material					Seal Dichtung		
	Steel zinc plated Stahl Verzinkt	Brass - Messing	AISI 316 Ti or similar Edelstahl AISI 316 Ti	Polyamide 11/12	Polyacetal - Poliasetal	NBR Nitrile	FPM Viton	EPDM
<p>✓ Fully resistant / beständig</p> <p>D Partly resistant / bedingt</p> <p>— Non-resistant / nicht</p>								
Acetate (Ethyl Acetate & Amyl Acetate)	✓	✓	✓	✓	✓			X
Acetic acid 10%		—	✓	—	✓			X
Acetone	✓	✓	✓	✓	✓			X
Acetylene	✓	✓	✓	✓	✓	X	X	X
Aero Engine Fuel BP, Esso Avgas100/130	✓	✓	✓	✓	D	X	X	
Aero Engine Oil BP : AIRO 1210, Esso AVIATON-120 Shell: AIRO-120, DERD 2487 DERD 2497, DTD 585	✓	✓	✓	✓	D	X	X	
Skydrol	✓	—	✓	—	—			X
Oronite	✓	—	✓	—	—		X	
Air, compressed	✓	✓	✓	✓	✓	X	X	
Air, hot up to 120°C	✓	✓	✓	D	—		X	X
Air, hot up to 200°C	✓	✓	✓	—	—		X	
Alcohol	✓	✓	✓	✓	✓		X	
Alum		—	✓	✓	✓	X	X	X
Alkalies	—	D	✓	✓	D	X		X
Ammonia, Liquid	D	—	✓	✓	—			X
Ammonium Sulphate Solution	—	—	✓	✓	D	X	X	X
Amyl Alcohol	✓	✓	✓	✓	✓		X	
Aniline	✓	—	✓	D	—		X	
Benzole	✓	✓	✓	✓	✓		X	
Borax	✓	✓	✓	✓	✓		X	X
Bultane	✓	✓	✓	✓	✓	X	X	
Bultane	✓	✓	✓	✓	✓	X	X	
Butyl Alcohol	—	✓	✓	✓	✓			X
Carbon Dioxide	—	✓	✓	✓	✓	X	X	X
Carbon Dioxide, dry		✓	✓	✓	✓	X	X	X
Carbon Dioxide liquid	—	✓	✓	✓	D	X	X	X
Carbon Bisulphide	✓		✓	✓	✓		X	
Chloride of Barium		✓	D	✓	✓	X	X	X
Chromic Acid	—	—	D	D	—		X	
Citric Acid	—	D	✓	—	D		X	X
Creosote	✓		✓	✓	✓		X	
Cresol	D	✓	✓	—	—		X	
Cresol, Cresylic Acid	✓		✓	✓	✓		X	
Cupric Chloride	✓		D	—	—	X	X	X
Cyclohexane	✓		✓	D	✓		X	
Dimethylamine	✓		✓	✓	✓		X	
Emulsion. (Water/Oil)	D	✓	✓	✓	✓	X	X	
Ether	✓	✓	✓	✓	✓		X	

Symbols - Korrosionstabelle	Material					Seal Dichtung		
	Steel zinc plated Stahl Verzinkt	Brass - Messing	AISI 316 Ti or similar Edelstahl AISI 316 Ti	Polyamide 11/12	Polyacetal - Poliasetal	NBR Nitrile	FPM Viton	EPDM
<p>✓ Fully resistant / beständig</p> <p>D Partly resistant / bedingt</p> <p>— Non-resistant / nicht</p>								
Ethyl Alcohol	✓		✓	✓	✓	X		X
Ethylene	✓	✓	✓	✓	✓		X	
Formalin	✓	✓	✓	✓	✓	D	X	X
Formic Acid	—	D	✓	—	—			X
Frigen	✓	✓	✓	✓	✓	X	X	
Gasoline, Refined	✓	✓	✓	✓	✓	X	X	
Gas, Blast Furnace	D	✓	✓	—	D		X	
Gas, Coal	D	✓	✓	✓	✓		X	
Gas, Coke Oven	D	✓	✓	D	D	X		
Gas, Lighting	✓	✓	✓	✓	✓	X	X	
Gas, Naphtalene content	✓	✓	✓	✓	✓	D	X	X
Gas, Natural	✓	✓	✓	✓	✓	X	X	
Gas, Town	✓	✓	✓	✓	✓	X		
Gear Oil	✓		✓	✓	✓	X	X	
Glucose		✓	✓	✓	✓	X	X	X
Glycerine	✓	✓	✓	✓	✓	X	X	X
Glycol	✓	✓	✓	✓	✓	X		X
Helium	✓	✓	✓	✓	✓	X	X	X
Hexane	✓		✓	✓	D	X	X	
Hydrocarbons	✓	✓	✓	✓	✓	X	X	
Hydrogen	✓	✓	✓	✓	✓	D	X	X
Hydrogen Gas	✓		✓	✓	✓	X	X	
Hydrogen Sulphide, Humid		D	✓	✓	✓			X
Hydrogen Sulphide, dry		✓	✓	✓	✓			X
Hydrogen Peroxide 30%	—	—	✓	✓	✓		X	
Isoproyl Alcohol	✓		✓	D	✓	X	X	X
Kerosene, JP 1	✓	✓	✓	✓	✓	X	X	
Keton, Methyl Ethyl	✓	✓	✓	✓	✓			X
Latex, liquid up to 130°C	✓	✓	✓	D	D	X		
Lubricating Oil	✓	✓	✓	✓	✓	X	X	
Lye, Caustic	—	✓	✓	✓	D			X
Lye, Hyochorous Acid	—		✓	—	D			
Lye, Pickling	—	MS60	✓	D	D		X	
Magnesium Carbonate	✓		✓	✓	✓	X	X	X
Magnesium Hydroxide	✓	✓	✓	✓	✓	X	X	X
Magnesium Sulphate. M.Sulfat		—	✓	✓	✓	X	X	X
Mercury	✓	—	✓	✓	✓	X	X	X
Methane	✓	✓	✓	✓	✓	X	X	
Methanol	✓	✓	✓	✓	✓	X		X
Methyl Alcohol	✓	✓	✓	D	✓	X		X
Methyl Ethyl Ketone	✓		✓	✓	✓			X

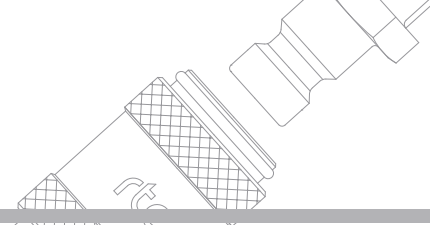
NBR (Nitrile)	FPM (Viton)	EPDM	PTFE (Teflon)
<p>Main properties: Resistant to oil and petrol good ageing characteristics, high abrasion resistance.</p> <p>Als Dichtungswerkstoffe stehen folgende Serienqualitäten zur Verfügung: Perbunan, Haupteigenschaften: Beständigkeit gegen Öl und Benzin, gute Alterungsbeständigkeit, hoher Schutz gegen Abrieb.</p>	<p>Main properties: Outstanding heat resistant performance, excellent resistance to oils, chemicals, solvent, active oxygen, and weather.</p> <p>Viton, Haupteigenschaften: überragende Hitzebeständigkeit, ausgezeichnete Beständigkeit gegen Öl, Chemikalien, Lösungsmittel, Ozon, Sauerstoff und Witterung.</p>	<p>Main properties Ethylen Propylene, High mechanical strength, excellent resistance to high and low temperatures and to active oxygen and weather. Good resistance to chemical media.</p> <p>EP, Athylen Propylen, Haupteigenschaften: Hohe mechanische Festigkeit. Ausgezeichnete Wärme und Kältebeständigkeit. Hervorragende Beständigkeit gegen Ozon und Witterungseinflüsse. Gute chemische Beständigkeit</p>	<p>For very aggressive media special constructions with PTFE seals (Teflon) are available. Für sehr aggressive Medien sind Sonderkupplungen mit PTFE-Dichtungen (Teflon) verfügbar: Alle Angaben sind unverbindlich und dienen nur zur Orientierung. Sie gelten 1.für reine Stoffe, 2. wenn nicht anders angegeben für Raumtemperatur. 3.bei Salzen, Säuren usw., für wässrige Lösungen mäßiger Konzentrationen. Teflon-eingetragenes 'Dupont'-Warenzeichen.</p>

Symbols - Korrosionstabelle	Material					Seal Dichtung		
	Steel zinc plated Stahl Verzinkt	Brass - Messing	AISI 316 Ti or similar Edelstahl/AISI 316 Ti	Polyamide 11/12	Polyacetel - Poliasetel	NBR Nitrile	FPM Viton	EPDM
✓ Fully resistant / beständig D Partly resistant / bedingt — Non-resistant / nicht								
Methyl Benzene	✓		✓				X	
Milk	✓	—	✓	✓	✓	X		X
Napta	✓		✓		✓	X	X	
Naptalene	✓	✓	✓	✓	✓		X	
Naptenic. Acid	✓		✓			X	X	
Nitrate of Ammonium	✓		✓			X	X	X
Nitric Acid. up to 35°C	—	✓	✓	—	—		X	
Nitrogen	✓	✓	✓	✓	✓	X	X	X
Nitro-Solution (no synthetic resin thinners)	✓	✓	✓	—	✓			X
Oil, Coal Tr	✓		✓	✓	D		X	
Oil, Crude	✓	✓	✓	✓	✓	X	X	
Oil, Diesel	✓	✓	✓	✓	✓	X		
Oil, Diesel up to 120°C	✓	✓	✓	D	—		X	
Oil, Fuel up to 100°C	✓	✓	✓	D	—	X	X	
Oil, up to 200°C/ 300°Cup to (special type)	✓	D	✓	—	—		FFKM	
Oil, Fuel 5x5	✓	✓	✓	D	✓		X	
Oil, Hydraulic Chlorinated	D	D	✓	—	D		X	
Oil, Hydraulic up to 120°C	✓	✓	✓	D	D	X	X	
Oil, Linseed	✓	✓	✓	✓	✓	X	X	
Oil, Mineral	D	✓	✓	✓	✓	X	X	
Oil, Transformer	D	D	✓	✓	D	X		
Oleic Acid	✓	—	✓	✓	✓	X	X	
Oxalic Acid	D	D	✓	✓	✓		X	X
Oxygen. fat free	—	✓	✓	✓	D			X
Paraffin	✓	✓	✓	✓	✓	X		
Paraffin, (Wax)	✓	✓	✓	✓	✓	X		
Pentachlorphenole	✓						X	
Petrol Ether		✓	✓	✓	✓	X		
Petrol	✓	✓	✓	✓	✓	X		
Phenol Solution	D	✓	✓	—	—			
Phosphoric Acid 10%			✓	—	—		X	X
Potassium Cyanide	✓	—	✓	✓	D		X	X
Potassium Dichromate	✓	—	✓	—	D		X	X
Potassium Sulphate	✓		✓			X	X	X
Potassium Hydroxide	✓		✓	✓	D			X
Propane	✓	✓	✓	✓	✓	X	X	
Prussic Acid	✓	—	✓				X	
Salt Solution	—	D	D	✓	D		X	X
Sea Water		—	D		✓	X	X	X

Symbols - Korrosionstabelle	Material					Seal Dichtung		
	Steel zinc plated Stahl Verzinkt	Brass - Messing	AISI 316 Ti or similar Edelstahl/AISI 316 Ti	Polyamide 11/12	Polyacetel - Poliasetel	NBR Nitrile	FPM Viton	EPDM
✓ Fully resistant / beständig D Partly resistant / bedingt — Non-resistant / nicht								
Soap Solution	—	✓	✓	✓	✓	X	X	X
Soap Solution	—	D	✓	✓	D	X	X	X
Sodium Acetate			✓	✓	✓	X		X
Sodium Bicarbonate			D	✓	✓		X	X
Sodium Carbonate	✓		✓	✓	✓	X	X	X
Sodium Chloride	✓		✓	✓	✓	X	X	X
Sodium Cyanide	✓		✓	—	D			X
Sodium Sulphide	✓	D	✓				X	X
Steam, up to 150°C	D	D	✓	—	—			X
Steam, up to 250°C	D	D	✓	—	—		PTFE	
Sulphide of barium	✓	D	✓	✓		X	X	X
Sulphur Dixide, Gas		✓	✓					X
Sulphuret of Carbon		✓	✓	—	✓		X	
Syntetic Resin Thinners (no nitrosolution)	✓	✓	✓	D	D		X	
Tar	✓	✓	✓	✓	✓	X	X	
Tetrachloride of Titanium	✓		✓				X	
Toluol, dry	D	✓	✓	✓	✓		X	
Trichlorethylene	✓	D	✓	✓	—		X	
Turbine Fuel, BP: ATK 2494, ES-SO:MIL-F56/16, SHELL:ATF 650	✓	✓	✓	✓	D	X	X	
Turbine Oil, Esso:35	✓	✓	✓	✓	D	X	X	
Turb-oil 1 S (MILL 7808)	D	D	✓	✓	D	X	X	
Vacuum (Strengthened Valve Springs)	✓	✓	✓	✓	✓			
Vegetable Oil	✓		✓	✓	✓	X	X	X
Water, Distilled			✓	✓	✓		X	X
Water, Deionized			✓			X	X	
Water, Demineralised			✓				X	
Water, up to 80°C	D	✓	✓	D	D	X	X	X
Water, over 80°C	D	✓	✓	D	—		X	X
Water, Cooling	D	D	✓	✓	D		X	X
Xylene	✓	✓	✓	✓	✓		X	



WATER
PNEUMATIC
HYDRAULIC
ELECTRICAL
ACCESSORIES



Explanation of rtc type Codes

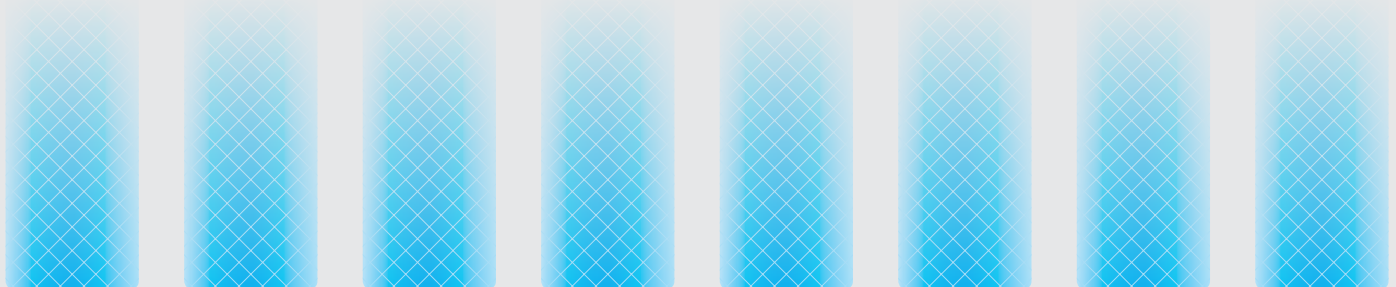
rtc Type Codes

Plate Type	Type	DN (Flow Diameter)	Part Type	Connect Type	Valve Type	Mounting Type	Thread Type	Additional Codes
K Fixed	002	03	S Socket	M Male	B Both Side	P Panel Mounted	10 1/8"	N NBR
M Mobile	003	04	P Plug	F Female	O One Side	D Docking Panel	13 1/4"	V FPM
.	.	05		P Push - Lock	F Free	S Self Venting	17 3/8"	E EPDM
.	.	06		H Hose		K Plastic	21 1/2"	T PTFE
.	.	07		R BSPT Male		E Safety (Push Plug)	26 3/4"	W FFKM
025		08		Q BSPT Female		H Inner Hexagonal	33 1"	PT PTFE Seal
026		09		N NPT Female		G Spring Guard	42 1-1/4"	PU Polyurethane
027		10		T NPT Male			48 1-1/2"	SN Silicone
.	.	11		U UNF			60 2"	MS Messing
.	.	12		J JIC Norm			75 2-1/2"	ST Steel
.	.	15		A Assembled			88 3"	SS Stainless Steel
099		16		E Extention			110 4"	S1 Stainless Steel AISI 301
100		19		K Conical Metric Thread			1010 M10x1	S2 Stainless Steel AISI 302
101		20		D Dust Cup			1015 M10x1.5	S3 Stainless Steel AISI 303
102		25		V Plastic Hose			1215 M12x1.5	S4 Stainless Steel AISI 420
103		32		L Pressure Cup			1415 M14x1.5	S5 Stainless Steel AISI 304
104		38		Z NPSF Male			1615 M16x1.5	S6 Stainless Steel AISI 316
.	.	50		S NPSF Female			17-60 3/8" - 60°	S31 Stainless Steel AISI 631
.	.	60		Y Plastic Hose Guard (With Spring)				AL Aluminium
.	.	75					Hose Diameter	PS Plastic Material
150		110					03 1/8" - 3mm	CH Chrom
152							06 1/4" - 6mm	CN Zinc Nickel
170							10 3/8" - 10mm	KN Chemical Nickel
.	.						13 1/2" - 13mm	NI Nickel
.	.						16 5/8" - 16mm	ZN Zinc Nickel
.	.						19 3/4" - 19mm	B Blue
200							25 1" - 25mm	R Red
201							32 1-1/4" - 32mm	BF Brass Free
202							38 1-1/2" - 38mm	SF Silicone Free
203							44 1-3/4" - 44mm	P Pressure Balancer
204							50 2" - 50mm	HP High Pressure
205							60 2-3/8" - 60mm	HT High Temperature
219							63 2-1/2" - 63mm	VA Vacuum
								S Safety Sleeve
								SI Axial Safety Lock
								LP Locking Screw
								LN Locking Nut
								KV Short Version
								LT Long Thread
								GL Left Thread
								KS O-Ring & Washer
								60 DIN 7631
								45 45° Connection
								90 90° Connection
								C Manifold with Collector
								OP Only Plate
							PL Plug Pressure Cap	
							SL Socket Pressure Cap	
							PC Protective Cover	
							PD Plug Dust Cap	
							SD Socket Dust Cap	
							K1 Special Formed Sleeve	
							K2 Steel Sleeve	
							K3 Sleeve AISI 303	
							K4 Sleeve AISI 420	
							EX Special (Extra)	

Additional Codes Continued

Hose Tail Profiles & Valve Type Explanations

rtc Hose Profiles



rtc TYPE
HT-1

rtc TYPE
HT-2

rtc TYPE
HT-3

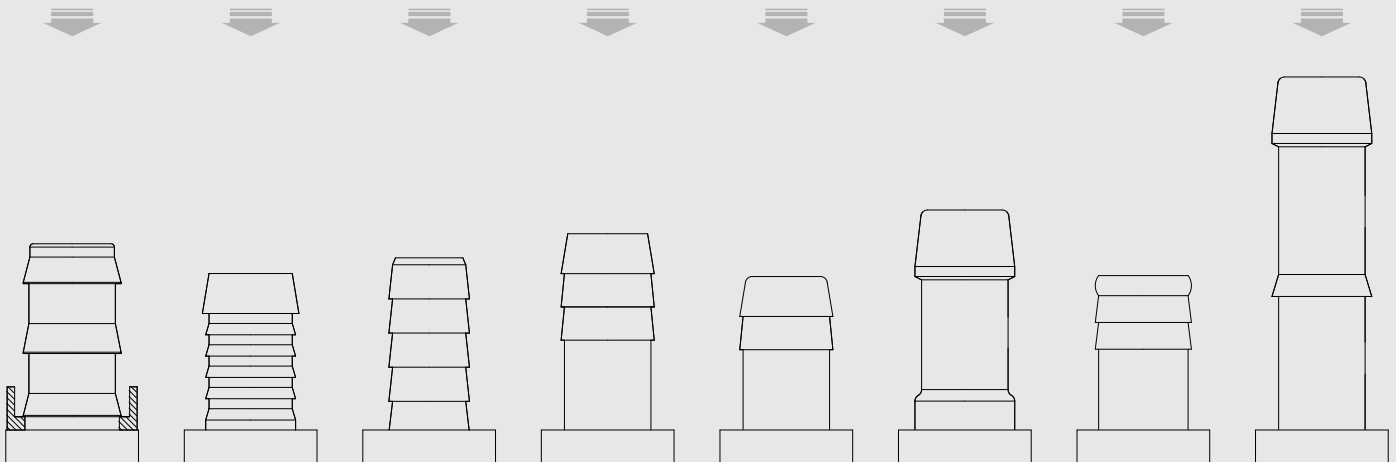
rtc TYPE
HT-4

rtc TYPE
HT-5

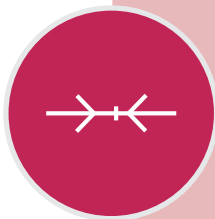
rtc TYPE
HT-6

rtc TYPE
HT-7

rtc TYPE
HT-8

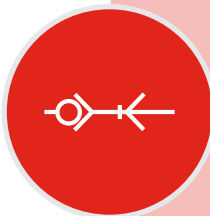


Push to
Connect
Hose Profile



Straight-Through (F Valve type - no valve)

These coupling systems work with no shut-off valve, which means they can achieve the greatest possible flow. Further, turbulence which can occur with integrated valves is completely eradicated. Straight-through couplings are ideally suited to liquid media – e.g. water applications. Before unlocking, the flow must be stopped.



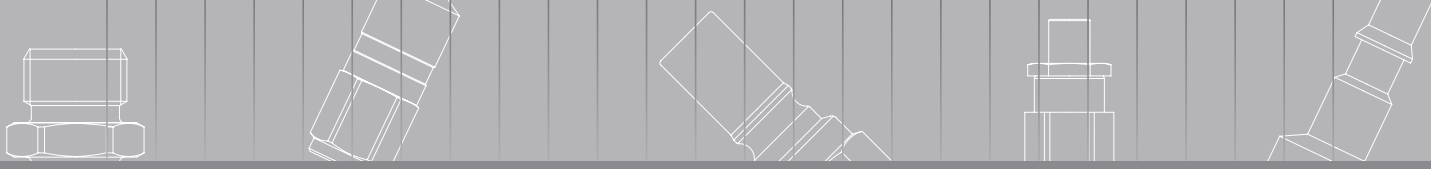
Single Shut-Off (O Valve type)

On our single shut-off systems, the plug is designed straight-through – although the coupling shuts off immediately when the connection is broken. Appearance of on-flow media in the line is effectively prevented. An ideal solution for operating compressed air tools.



Double Shut-Off (B Valve type)

On our double shut-off systems, after disconnection, the flow stops both in the coupling and in the plug. The medium remains in the hose in both connecting lines, the pressure is held constant and not released.



rtc[®]

COUPLING TECHNOLOGY



002

rtc TYPE



DN 7.8 mm Pneumatic Coupling

TYPE 002



Compatible - Kompatibilität

rtc	463.08
rtc	025
Rectus	25KA, 26KA
Cejn	320
Tema	1600

Temperature Range - Temperaturbereich

Nitrile (N)	-20°C +100°C (- 4°F + 212°F)
FPM (V)	-20°C +180°C (- 4°F + 356°F)

Working Pressure - Betriebsdruck

35 Bar (510 PSI)

Flow size - Nennweite

rtc type 002 7.8 mm

Material of Standard version / Material für die Standardversion

Socket body - Kupplungsgrundkörper	Brass with nickel plated - Messing vernickelt
Sleeve - Hülse	Brass with nickel plated - Messing vernickelt
Springs - Federn	Stainless Steel - Edelstahl
Balls - Kugeln	Stainless Steel - Edelstahl
Seals - Dichtung	Nitrile (N)
Plug - Nippel	Brass with nickel plated - Messing vernickelt

Technical Specifications and Advantages

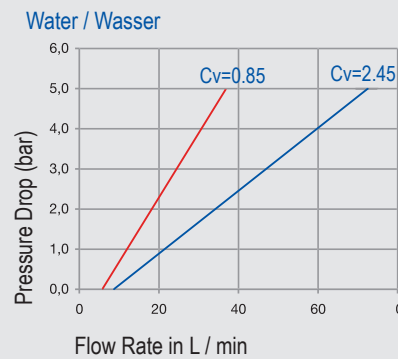
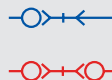
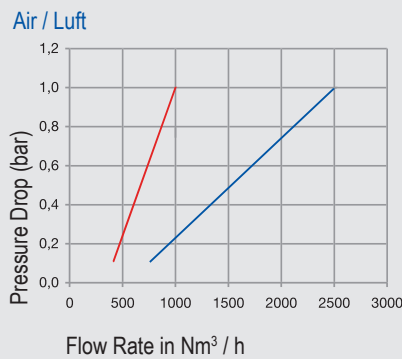
- High performance valve with increased flow rate and minimised pressure loss.
- Advantage of one hand operation.
- Corrosion resistant.

Technische Daten und Vorteile

- Ventil mit hohem Durchfluss und geringem Druckverlust.
- Vorteil durch Einhandbedienung.
- Korrosionsbeständig.



Flow Rate vs Pressure Drop Graph



002
rtc TYPE

rtc TYPE 002

Male thread socket / Kupplung mit Aussengewinde



Socket / Kupplung	Size / Größe	Order No / Bestellnr. 	Order No / Bestellnr. 	Ød	Ød1	L	L1	HEX.
	7.8	002 SMO 13	002 SMF 13	BSP 1/4	22.5	48	9	21
		002 SMO 17	002 SMF 17	BSP 3/8	22.5	48	9	21
		002 SMO 21	002 SMF 21	BSP 1/2	22.5	50	11	22
		002 SMO 21-F13*	002 SMF 21-F13*	BSP 1/2-1/4	22.5	50	11	22

*G1/2 male threaded socket with inner G1/4 female thread Order No: 002 SMO 21-F13

rtc TYPE 002

Female thread socket / Kupplung mit Innengewinde



Socket / Kupplung	Size / Größe	Order No / Bestellnr. 	Order No / Bestellnr. 	Ød	Ød1	L	HEX.
	7.8	002 SFO 13	002 SFF 13	BSP 1/4	22.5	45	21
		002 SFO 17	002 SFF 17	BSP 3/8	22.5	47	21
		002 SFO 21	002 SFF 21	BSP 1/2	22.5	52	24

rtc TYPE 002

Standard hose tail socket / Kupplung mit gerader Standard - Schlauchtülle



Socket / Kupplung	Size / Größe	Order No / Bestellnr. 	Order No / Bestellnr. 	Ød	Ød1	L	L1
	7.8	002 SHO 06	002 SHF 06	6 mm	22.5	61	23
		002 SHO 08	002 SHF 08	8 mm	22.5	61	23
		002 SHO 10	002 SHF 10	10 mm	22.5	61	23
		002 SHO 13	002 SHF 13	13 mm	22.5	61	23

rtc TYPE 002

Socket with plastic hose connection / Kupplung mit Kunststoffschlauch



Sockets / Kupplungen	Size / Größe	Order No / Bestellnr. 	Order No / Bestellnr. 	Ød	Ød1	Ød2	L
	7.8	002 SVO 0406	002 SVF 0406	4x6 mm	M10x1	22.5	52
		002 SVO 0608	002 SVF 0608	6x8 mm	M12x1	22.5	52
		002 SVO 0810	002 SVF 0810	8x10 mm	M14x1	22.5	56

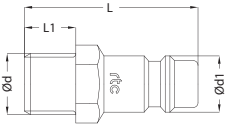
rtc TYPE 002

Plastic Hose Connection With Spring Guard / Knickschutzfeder

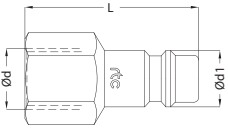


Sockets / Kupplungen	Size / Größe	Order No / Bestellnr. 	Order No / Bestellnr. 	Ød	Ød1	Ød2	L
	7.8	002 SVOG 0406	002 SVFG 0406	4x6 mm	M10x1	22.5	100
		002 SVOG 0608	002 SVFG 0608	6x8 mm	M12x1	22.5	110
		002 SVOG 0810	002 SVFG 0810	8x10 mm	M14x1	22.5	140

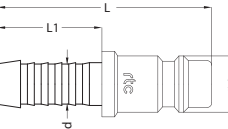
Male thread plug / Nippel mit Aussengewinde TYPE 002 **rtc**

Plugs / Nippel	Size / Größe	Order No / Bestellnr.	Ød	Ød1	L	L1	HEX.
	7.8	002 PRF 10	BSPT 1/8	12	34	9	14
		002 PRF 13	BSPT 1/4	12	38	12	14
		002 PRF 17	BSPT 3/8	12	40	12	17
		002 PRF 21	BSPT 1/2	12	47	17	22
		002 PTF 10	NPT 1/8	12	34	9	14
		002 PTF 13	NPT 1/4	12	38	12	14
		002 PTF 17	NPT 3/8	12	40	12	17
		002 PTF 21	NPT 1/2	12	47	17	22
		002 PMF 10	BSP 1/8	12	34	8	14
		002 PMF 13	BSP 1/4	12	37	11	14
		002 PMF 17	BSP 3/8	12	39	11	19
		002 PMF 21	BSP 1/2	12	43	13	22
		002 PMF 1415	M14x1.5	12	38	10	17
		002 PMF 1615	M16x1.5	12	39	11	19
		002 PMF 1815	M18x1.5	12	39	11	20

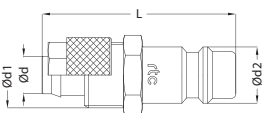
Female thread plug / Nippel mit Innengewinde TYPE 002 **rtc**

Plugs / Nippel	Size / Größe	Order No / Bestellnr.	Ød	Ød1	L	HEX.
	7.8	002 PFF 10	BSP 1/8	12	33	14
		002 PFF 13	BSP 1/4	12	38	17
		002 PFF 17	BSP 3/8	12	39	19
		002 PFF 21	BSP 1/2	12	43	24
		002 PNF 10	NPT 1/8	12	33	14
		002 PNF 13	NPT 1/4	12	38	17
		002 PNF 17	NPT 3/8	12	40	19
		002 PNF 21	NPT 1/2	12	43	24
		002 PFF 1415	M14x1.5	12	38	17
		002 PFF 1615	M16x1.5	12	39	19
		002 PFF 1815	M18x1.5	12	40	22

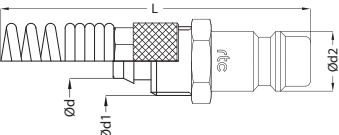
Standard hose tail plug / Nippel mit gerader Standard - Schlauchtülle TYPE 002 **rtc**

Plugs / Nippel	Size / Größe	Order No / Bestellnr.	Ød	Ød1	L	L1
	7.8	002 PHF 06	6 mm	12	50	23
		002 PHF 08	8 mm	12	50	23
		002 PHF 09	9 mm	12	50	23
		002 PHF 10	10 mm	12	50	23
		002 PHF 13	13 mm	12	50	23

Plug with plastic hose connection / Nippel mit Kunststoffschlauch TYPE 002 **rtc**

Plugs / Nippel	Size / Größe	Order No / Bestellnr.	Ød	Ød1	Ød2	L
	7.8	002 PVF 0406	4x6 mm	M10x1	12	37
		002 PVF 0608	6x8 mm	M12x1	12	37
		002 PVF 0810	8x10 mm	M14x1	12	48
		002 PVF 0912	9x12 mm	M16x1	12	48

Plug with plastic hose connection spring guard / Nippel mit Knickschutzfeder TYPE 002 **rtc**

Plugs / Nippel	Size / Größe	Order No / Bestellnr.	Ød	Ød1	Ød2	L
	7.8	002 PVFG 0406	4x6 mm	M10x1	12	85
		002 PVFG 0608	6x8 mm	M12x1	12	95
		002 PVFG 0810	8x10 mm	M14x1	12	105
		002 PVFG 0912	9x12 mm	M16x1	12	105



rtc[®]

COUPLING TECHNOLOGY



003

rtc TYPE



DN 5 mm Pneumatic Coupling

TYPE 013



Compatibility - Kompatibilität
rtc 021

Temperature Range - Temperaturbereich

Nitrile (N) -20°C + 100°C (- 4°F + 212°F)
FPM (V) -20°C + 180°C (- 4°F + 356°F)

Working Pressure - Betriebsdruck
35 Bar (510 PSI)

Flow size - Nennweite
rtc type 003 5 mm

Material of Standard version / Material für die Standardversion

Socket body - Kupplungsgrundkörper	Brass with nickel plated - Messing vernickelt
Sleeve - Hülse	Brass with nickel plated - Messing vernickelt
Springs - Federn	Stainless Steel - Edelstahl
Balls - Kugeln	Stainless Steel - Edelstahl
Seals - Dichtung	Nitrile (N)
Plug - Nippel	Brass with nickel plated - Messing vernickelt

Technical Specifications and Advantages

- High performance valve with increased flow rate and minimised pressure loss.
- Advantage of one hand operation.
- Corrosion resistant.

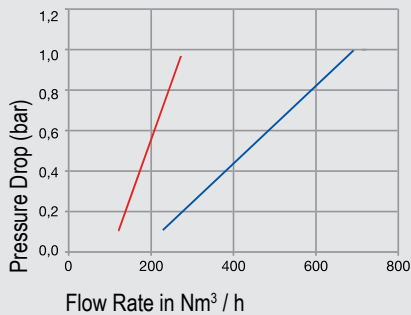
Technische Daten und Vorteile

- Ventil mit hohem Durchfluss und geringem Druckverlust.
- Vorteil durch Einhandbedienung.
- Korrosionsbeständig.

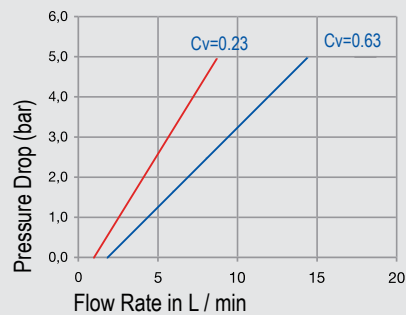


Flow Rate vs Pressure Drop Graph

Air / Luft



Water / Wasser



003
rtc TYPE

rtc TYPE 003

Male thread socket / Kupplung mit Aussengewinde



Socket / Kupplung

Size / Größe

Order No / Bestellnr.

Order No / Bestellnr.

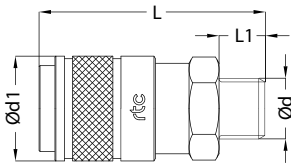
Ød

Ød1

L

L1

HEX.



05

003 SMO 10	003 SMF 10	BSP 1/8	18	36	8	16
003 SMO 13	003 SMF 13	BSP 1/4	18	36	8	16
003 SMO 17	003 SMF 17	BSP 3/8	18	36	8	19

rtc TYPE 003

Female thread socket / Kupplung mit Innengewinde



Socket / Kupplung

Size / Größe

Order No / Bestellnr.

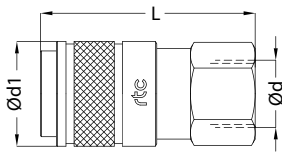
Order No / Bestellnr.

Ød

Ød1

L

HEX.



05

003 SFO 10	003 SFF 10	BSP 1/8	18	36	16	16
003 SFO 13	003 SFF 13	BSP 1/4	18	36	16	16
003 SFO 17	003 SFF 17	BSP 3/8	18	38	19	19

rtc TYPE 003

Standard hose tail socket / Kupplung mit gerader Standard - Schlauchtülle



Socket / Kupplung

Size / Größe

Order No / Bestellnr.

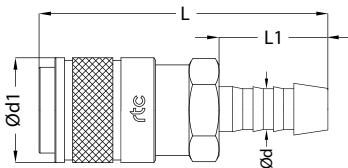
Order No / Bestellnr.

Ød

Ød1

L

L1



05

003 SHO 04	003 SHF 04	4 mm	18	47	19	19
003 SHO 06	003 SHF 06	6 mm	18	47	19	19
003 SHO 08	003 SHF 08	8 mm	18	47	19	19
003 SHO 10	003 SHF 10	10 mm	18	47	19	19

rtc TYPE 002

Plastic Hose Connection With Spring Guard / Knickschutzfeder



Sockets / Kupplungen

Size / Größe

Order No / Bestellnr.

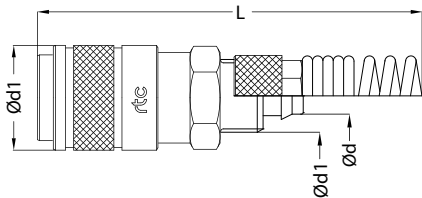
Order No / Bestellnr.

Ød

Ød1

Ød2

L



05

003 SVOG 0406	003 SVFG 0406	4x6 mm	M10x1	18	90	90
003 SVOG 0608	003 SVFG 0608	6x8 mm	M12x1	18	100	100
003 SVOG 0810	003 SVFG 0810	8x10 mm	M14x1	18	130	130

rtc TYPE 003

Panel Mount Plastic Hose Connection / Schottverschraubung für Kunststoffschlauch



Sockets / Kupplungen

Size / Größe

Order No / Bestellnr.

Order No / Bestellnr.

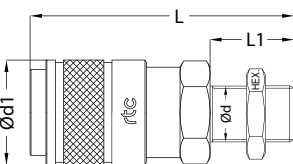
Ød

Ød1

L

L1

HEX.



05

003 SMOP 10	003 SMFP 10	BSP 1/8	18	47	19	14
003 SMOP 13	003 SMFP 13	BSP 1/4	18	49	21	17
003 SMOP 17	003 SMFP 17	BSP 3/8	18	51	23	20

rtc TYPE 003

Panel Mount Hose Barb / Schottverschraubung für Schlauchanschluss



Sockets / Kupplungen

Size / Größe

Order No / Bestellnr.

Order No / Bestellnr.

Ød

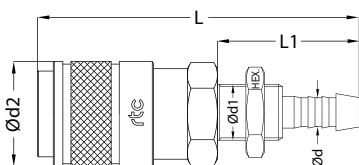
Ød1

Ød2

L

L1

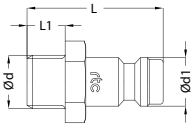
HEX.



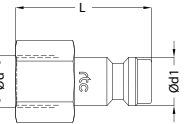
05

003 SHOP 04	003 SHFP 04	4 mm	M10x1	18	61	32	14
003 SHOP 06	003 SHFP 06	6 mm	M12x1	18	61	32	17
003 SHOP 08	003 SHFP 08	8 mm	M12x1	18	61	32	20

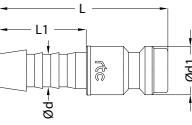
Male thread plug / Nippel mit Aussengewinde TYPE 003 **rtc**

Plugs / Nippel	Size / Größe	Order No / Bestellnr.	Ød	Ød1	L	L1	HEX.
	05	003 PMF 10	BSP 1/8	9	25	7	13
		003 PMF 13	BSP 1/4	9	28	9	16
		003 PMF 17	BSP 3/8	9	28	9	19
		003 PMF 1010	M10x1	9	26	8	13
		003 PMF 1215	M12x1.5	9	28	10	15
		003 PMF 1415	M14x1.5	9	28	10	17

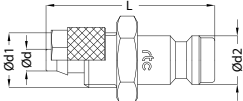
Female thread plug / Nippel mit Innengewinde TYPE 003 **rtc**

Plugs / Nippel	Size / Größe	Order No / Bestellnr.	Ød	Ød1	L	HEX.
	05	003 PFF 10	BSP 1/8	9	25	13
		003 PFF 13	BSP 1/4	9	25	17
		003 PFF 17	BSP 3/8	9	26	19
		003 PFF 1010	M10x1	9	25	13
		003 PFF 1215	M12x1.5	9	26	15
		003 PFF 1415	M14x1.5	9	26	17

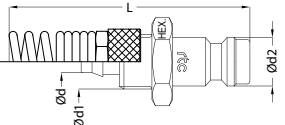
Standard hose tail plug / Nippel mit gerader Standard - Schlauchtülle TYPE 003 **rtc**

Plugs / Nippel	Size / Größe	Order No / Bestellnr.	Ød	Ød1	L	L1
	05	003 PHF 04	4 mm	9	31	16
		003 PHF 05	5 mm	9	31	16
		003 PHF 06	6 mm	9	31	16
		003 PHF 08	8 mm	9	34	19
		003 PHF 09	9 mm	9	34	19
		003 PHF 10	10 mm	9	34	19

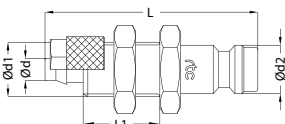
Plastic Hose Connection / Kunststoffschlauch TYPE 003 **rtc**

Plugs / Nippel	Size / Größe	Order No / Bestellnr.	Ød	Ød1	Ød2	L
	05	003 PVF 0406	4x6 mm	M10x1	9	31
		003 PVF 0608	6x8 mm	M12x1	9	31
		003 PVF 0810	8x10 mm	M14x1	9	36
		003 PVF 0812	8x12 mm	M16x1	9	36

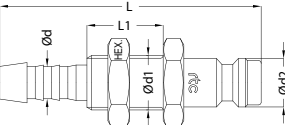
Plastic Hose Connection With Spring Guard / Knickschutzfeder TYPE 003 **rtc**

Plugs / Nippel	Size / Größe	Order No / Bestellnr.	Ød	Ød1	Ød2	L
	05	003 PVFG 0406	4x6 mm	M10x1	9	115
		003 PVFG 0608	6x8 mm	M12x1	9	120

Panel Mount Plastic Hose Connection / Schottverschraubung für Kunststoffschlauch TYPE 003 **rtc**

Plugs / Nippel	Size / Größe	Order No / Bestellnr.	Ød	Ød1	Ød2	L	L1
	05	003 PVFP 0406	4x6 mm	M10x1	9	43	18
		003 PVFP 0608	6x8 mm	M12x1	9	43	18
		003 PVFP 0810	8x10 mm	M14x1	9	43	18
		003 PVFP 1012	10x12 mm	M16x1	9	46	18

Panel Mount Hose Barb / Schottverschraubung für Schlauchanschluss TYPE 003 **rtc**

Plugs / Nippel	Size / Größe	Order No / Bestellnr.	Ød	Ød1	Ød2	L	L1	HEX.
	05	003 PHFP 04	4 mm	M10x1	9	52	17	14
		003 PHFP 05	5 mm	M12x1	9	52	17	14
		003 PHFP 06	6 mm	M12x1	9	52	17	14
		003 PHFP 08	8 mm	M12x1	9	52	17	14
		003 PHFP 09	9 mm	M16x1	9	53	17	17
		003 PHFP 10	10 mm	M16x1	9	53	17	17



rtc[®]

COUPLING TECHNOLOGY



013

rtc TYPE



DN 7.5 & 13 mm Japanese Profile Pneumatic Coupling

TYPE 013



Compatibility - Kompatibilität

rtc 464.08
Rectus 03, 13KA
Nitto-Kohki Hi Cupla
Cejn 314 / 315

Temperature Range - Temperaturbereich

Nitrile (N) -20°C + 100°C (- 4°F + 212°F)
FPM (V) -20°C + 180°C (- 4°F + 356°F)
EPDM (Ethylene Propylene) -40°C + 150°C (- 40°F + 302°F)

Working Pressure - Betriebsdruck

35 Bar (510 PSI)

Flow size - Nennweite

rtc type 013.08 7.5 mm
rtc type 013.13 13 mm

Material of Standard version / Material für die Standardversion

Socket body - Kupplungsgrundkörper	Brass with nickel plated - Messing vernickelt
Sleeve - Hülse	Steel nickel plated - Stahl Nickel beschichtet
Springs - Federn	Stainless Steel - Edelstahl
Balls - Kugeln	Stainless Steel - Edelstahl
Seals - Dichtung	Nitrile (N)
Plug - Nippel	Steel zinc-nickel plated - Stahl Zink-Nickel beschichtung

Technical Specifications and Advantages

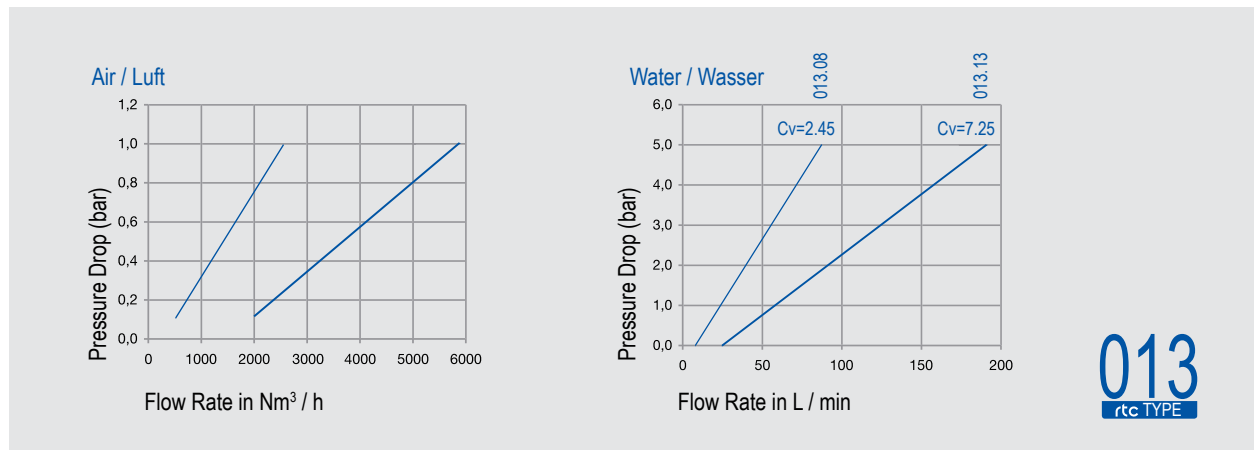
- Japanese industrial profile.
- High performance valve with increased flow rate and minimised pressure loss.
- Advantage of one hand operation.
- Corrosion resistant.

Technische Daten und Vorteile

- Japanisches Industrieprofil.
- Ventil mit hohem Durchfluss und geringem Druckverlust.
- Vorteil durch Einhandbedienung.
- Korrosionsbeständig.



Flow Rate vs Pressure Drop Graph



013
rtc TYPE

rtc TYPE 013

Male thread socket / Kupplung mit Aussengewinde



Socket / Kupplung	Size / Größe	Order No / Bestellnr. 	Order No / Bestellnr. 	Ød	Ød1	L	L1	HEX.
	7.5	013.08 SRO 13	013.08 SRF 13	BSPT 1/4	24	58	12	22
		013.08 SRO 17	013.08 SRF 17	BSPT 3/8	24	58	12	22
		013.08 SRO 21	013.08 SRF 21	BSPT 1/2	24	59	17	22
	13	013.13 SRO 21	013.13 SRF 21	BSPT 1/2	35	65	17	30
		013.13 SRO 26	013.13 SRF 26	BSPT 3/4	35	69	19	35
		013.13 SRO 33	013.13 SRF 33	BSPT 1	35	72	22	35

rtc TYPE 013

Female thread socket / Kupplung mit Innengewinde



Socket / Kupplung	Size / Größe	Order No / Bestellnr. 	Order No / Bestellnr. 	Ød	Ød1	L	HEX.
	7.5	013.08 SFO 13	013.08 SFF 13	BSP 1/4	24	55	22
		013.08 SFO 17	013.08 SFF 17	BSP 3/8	24	55	22
		013.08 SFO 21	013.08 SFF 21	BSP 1/2	24	58	24
	13	013.13 SFO 21	013.13 SFF 21	BSP 1/2	35	58	30
		013.13 SFO 26	013.13 SFF 26	BSP 3/4	35	63	32
		013.13 SFO 33	013.13 SFF 33	BSP 1	35	70	41

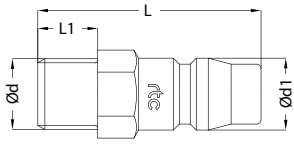
rtc TYPE 013

Standard hose tail socket / Kupplung mit gerader Standard - Schlauchtülle

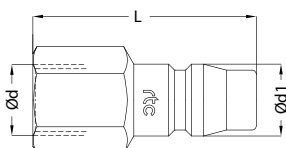


Socket / Kupplung	Size / Größe	Order No / Bestellnr. 	Order No / Bestellnr. 	Ød	Ød1	L	L1
	7.5	013.08 SHO 06	013.08 SHF 06	6 mm	24	69	23
		013.08 SHO 08	013.08 SHF 08	8 mm	24	69	23
		013.08 SHO 09	013.08 SHF 09	9 mm	24	69	23
		013.08 SHO 10	013.08 SHF 10	10 mm	24	69	23
		013.08 SHO 13	013.08 SHF 13	13 mm	24	69	23
	13	013.13 SHO 13	013.13 SHF 13	13 mm	35	78	30
		013.13 SHO 16	013.13 SHF 16	16 mm	35	83	35
		013.13 SHO 19	013.13 SHF 19	19 mm	35	83	35
		013.13 SHO 25	013.13 SHF 25	25 mm	35	83	35

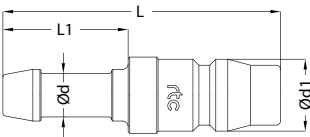
Male thread plug / Nippel mit Aussengewinde TYPE 013 

Plug / Nippel	Size / Größe	Order No / Bestellnr.	Ød	Ød1	L	L1	HEX.
	7.5	013.08 PMF 13	BSP 1/4	13.2	41	11	14
		013.08 PMF 17	BSP 3/8	13.2	43	11	19
		013.08 PMF 21	BSP 1/2	13.2	47	14	24
		013.08 PRF 13	BSPT 1/4	13.2	42	12	14
		013.08 PRF 17	BSPT 3/8	13.2	44	12	19
		013.08 PRF 21	BSPT 1/2	13.2	50	17	22
		013.08 PTF 13	NPT 1/4	13.2	42	12	14
		013.08 PTF 17	NPT 3/8	13.2	44	12	19
		013.08 PTF 21	NPT 1/2	13.2	50	17	22
	13	013.13 PMF 21	BSP 1/2	20	47	14	24
		013.13 PMF 26	BSP 3/4	20	49	16	32
		013.13 PMF 33	BSP 1	20	51	18	35
		013.13 PRF 21	BSPT 1/2	20	50	17	22
		013.13 PRF 26	BSPT 3/4	20	55	19	32
		013.13 PRF 33	BSPT 1	20	63	22	35
013.13 PTF 21		NPT 1/2	20	50	17	22	
013.13 PTF 26		NPT 3/4	20	55	19	32	
013.13 PTF 33		NPT 1	20	63	22	35	

Female thread plug / Nippel mit Innengewinde TYPE 013 

Plug / Nippel	Size / Größe	Order No / Bestellnr.	Ød	Ød1	L	HEX.
	7.5	013.08 PFF 13	BSP 1/4	13.2	43	17
		013.08 PFF 17	BSP 3/8	13.2	44	19
		013.08 PFF 21	BSP 1/2	13.2	49	27
		013.08 PNF 13	NPT 1/4	13.2	43	17
		013.08 PNF 17	NPT 3/8	13.2	44	22
		013.08 PNF 21	NPT 1/2	13.2	49	27
		13	013.13 PFF 21	BSP 1/2	20	41
	013.13 PFF 26		BSP 3/4	20	45	35
	013.13 PFF 33		BSP 1	20	54	41
	013.13 PNF 21		NPT 1/2	20	44	27
	013.13 PNF 26		NPT 3/4	20	48	35
	013.13 PNF 33		NPT 1	20	57	41

Standard hose tail plug / Nippel mit gerader Standard - Schlauchtülle TYPE 013 

Plug / Nippel	Size / Größe	Order No / Bestellnr.	Ød	Ød1	L	L1
	7.5	013.08 PHF 06	6 mm	13.2	51	23
		013.08 PHF 08	8 mm	13.2	51	23
		013.08 PHF 10	10 mm	13.2	51	23
		013.08 PHF 13	13 mm	13.2	51	23
	13	013.13 PHF 13	13 mm	20	57	30
		013.13 PHF 16	16 mm	20	62	35
		013.13 PHF 19	19 mm	20	62	35
		013.13 PHF 25	25 mm	20	64	35



rtc[®]

COUPLING TECHNOLOGY



014

rtc TYPE



DN 5.5 & 9 mm Pneumatic Coupling

TYPE 014



Compatibility - Kompatibilität

rtc	014.06	rtc	014.09
rtc	022	Aro	310
rtc	462.06	Orion	44520, 44530
Rectus	14KA, 22KA	Rectus	40
Parker	50		
Aro	210		
Cejn	300		
Orion	44510		

Temperature Range - Temperaturbereich

Nitrile (N)	-20°C + 100°C (-4°F + 212°F)
FPM (V)	-20°C + 180°C (-4°F + 356°F)
EPDM (Ethylene Propylene)	-40°C + 150°C (-40°F + 302°F)

Working Pressure - Betriebsdruck

35 Bar (510 PSI)

Flow size - Nennweite

rtc type 014.06	5.5 mm
rtc type 014.09	9 mm

Material of Standard Coupler / Material für die Standardversion

Socket body	Brass with nickel plated -
Kupplungsgrundkörper	Messing vernickelt
Sleeve	Brass with nickel plated -
Hülse	Messing vernickelt
Springs - Federn	Stainless Steel - Edelstahl
Locking Ring - Sprenging	Stainless Steel - Edelstahl
Locking Pin - Sicherungsstift	Stainless Steel - Edelstahl
Seals - Dichtung	Nitrile (N)
Plug -	Steel zinc-nickel plated -
Nippel	Stahl Zink-Nickel beschichtet

Technical Specifications and Advantages

- Advantage of one hand useage.
- Anti-corrosive

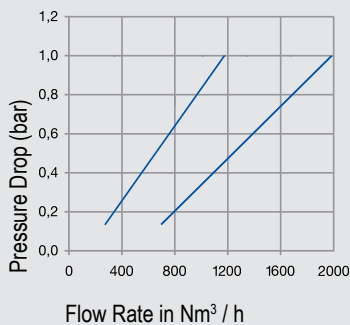
Technische Daten und Vorteile

- Vorteil durch Einhandbedienung.
- Korrosionsbeständig

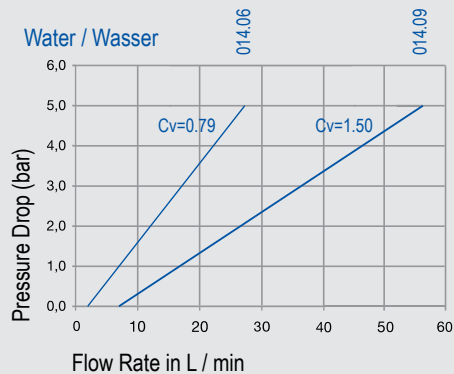


Flow Rate vs Pressure Drop Graph

Air / Luft



Water / Wasser



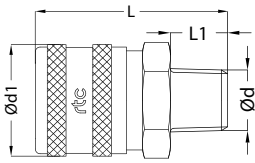


014
rtc TYPE

rtc TYPE 014

Male thread socket / Kupplung mit Aussengewinde



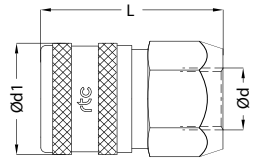


Socket / Kupplung	Size / Größe	Order No / Bestellnr. 	Order No / Bestellnr. 	Ød	Ød1	L	L1	HEX.
	5.5	014.06 SRO 13	014.06 SRF 13	BSPT 1/4	23	46	11	21
		014.06 SRO 17	014.06 SRF 17	BSPT 3/8	23	47	12	21
		014.06 SRO 21	014.06 SRF 21	BSPT 1/2	23	47	16	22
	09	014.09 SRO 13	014.09 SRF 13	BSPT 1/4	30	52	11	27
		014.09 SRO 17	014.09 SRF 17	BSPT 3/8	30	53	12	27
		014.09 SRO 21	014.09 SRF 21	BSPT 1/2	30	56	16	27

rtc TYPE 014

Female thread socket / Kupplung mit Innengewinde



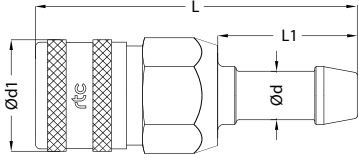


Socket / Kupplung	Size / Größe	Order No / Bestellnr. 	Order No / Bestellnr. 	Ød	Ød1	L	HEX.
	5.5	014.06 SFO 10	014.06 SFF 10	BSP 1/8	23	43	21
		014.06 SFO 13	014.06 SFF 13	BSP 1/4	23	44	21
		014.06 SFO 17	014.06 SFF 17	BSP 3/8	23	44	21
		014.06 SFO 21	014.06 SFF 21	BSP 1/2	23	46	24
		014.06 SNO 13	014.06 SNF 13	NPT 1/4	23	44	21
	09	014.09 SFO 17	014.09 SFF 17	BSP 3/8	30	48	27
		014.09 SFO 21	014.09 SFF 21	BSP 1/2	30	51	27
		014.09 SNO 17	014.09 SNF 17	NPT 3/8	30	51	27

rtc TYPE 014

Standard hose tail socket / Kupplung mit gerader Standard - Schlauchtülle

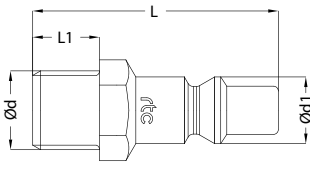


Socket / Kupplung	Size / Größe	Order No / Bestellnr. 	Order No / Bestellnr. 	Ød	Ød1	L	L1
	5.5	014.06 SHO 06	014.06 SHF 06	6 mm	25	59	23
		014.06 SHO 08	014.06 SHF 08	8 mm	25	59	23
		014.06 SHO 09	014.06 SHF 09	9 mm	25	59	23
		014.06 SHO 10	014.06 SHF 10	10 mm	25	59	23
		014.06 SHO 13	014.06 SHF 13	13 mm	25	59	23
	09	014.09 SHO 08	014.09 SHF 08	8 mm	30	64	23
		014.09 SHO 09	014.09 SHF 09	9 mm	30	64	23
		014.09 SHO 10	014.09 SHF 10	10 mm	30	64	23
		014.09 SHO 13	014.09 SHF 13	13 mm	30	64	23



Male thread plug / Nippel mit Aussengewinde

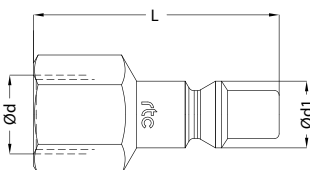
TYPE 014 **rtc**

Plug / Nippel	Size / Größe	Order No / Bestellnr. →←→	Ød	Ød1	L	L1	HEX.
 <p>Brass / Messing Kindly add "MS" at the end of the order no Example code: 014.06 PMF 13 MS</p>	5.5	014.06 PMF 10	BSP 1/8	11	36.5	8	14
		014.06 PMF 13	BSP 1/4	11	40.5	11	14
		014.06 PMF 17	BSP 3/8	11	42	11	19
		014.06 PMF 21	BSP 1/2	11	47.5	13	22
		014.06 PRF 10	BSPT 1/8	11	39.5	9	14
		014.06 PRF 13	BSPT 1/4	11	42.5	12	14
		014.06 PRF 17	BSPT 3/8	11	45.5	12	17
		014.06 PRF 21	BSPT 1/2	11	51.5	17	22
		014.06 PTF 10	NPT 1/8	11	39.5	9	14
		014.06 PTF 13	NPT 1/4	11	42.5	12	14
		014.06 PTF 17	NPT 3/8	11	45.5	12	17
		014.06 PTF 21	NPT 1/2	11	51.5	17	22
		5.5	014.09 PRF 13	BSPT 1/4	15	39	11
014.09 PRF 17	BSPT 3/8		15	41	12	19	
014.09 PRF 21	BSPT 1/2		15	47	17	22	
014.09 PRF 26	BSPT 3/4		15	49	17	27	



Female thread plug / Nippel mit Innengewinde

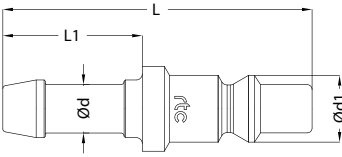
TYPE 014 **rtc**

Plug / Nippel	Size / Größe	Order No / Bestellnr. →←→	Ød	Ød1	L	HEX.	
 <p>Brass / Messing Kindly add "MS" at the end of the order no Example code: 014.06 PFF 13 MS</p>	5.5	014.06 PFF 10	BSP 1/8	11	37.5	13	
		014.06 PFF 13	BSP 1/4	11	40.5	17	
		014.06 PFF 17	BSP 3/8	11	41.5	19	
		014.06 PFF 21	BSP 1/2	11	46	24	
		014.06 PNF 10	NPT 1/8	11	37.5	14	
		014.06 PNF 13	NPT 1/4	11	41.5	17	
		014.06 PNF 17	NPT 3/8	11	42.5	19	
		014.06 PNF 21	NPT 1/2	11	47	24	
		5.5	014.09 PFF 13	BSP 1/4	15	35	17
			014.09 PFF 17	BSP 3/8	15	36	20
014.09 PFF 21	BSP 1/2		15	39	24		



Standard hose tail plug / Nippel mit gerader Standard - Schlauchtüle

TYPE 014 **rtc**

Plug / Nippel	Size / Größe	Order No / Bestellnr. →←→	Ød	Ød1	L	L1
 <p>Brass / Messing Kindly add "MS" at the end of the order no Example code: 014.06 PHF 06 MS</p>	5.5	014.06 PHF 06	6 mm	11	51	23
		014.06 PHF 08	8 mm	11	51	23
		014.06 PHF 10	10 mm	11	51	23
		014.06 PHF 13	13 mm	11	51	23
5.5	014.09 PHF 06	6 mm	15	50	23	
	014.09 PHF 08	8 mm	15	50	23	
	014.09 PHF 10	10 mm	15	50	23	
	014.09 PHF 13	13 mm	15	50	23	



rtc[®]

COUPLING TECHNOLOGY



017

rtc TYPE



DN 5 & 9.5 mm Pneumatic Coupling

TYPE 017



Compatibility - Kompatibilität

Rectus 17KA
Schrader NW5

Temperature Range - Temperaturbereich

Nitrile (N) -20°C + 100°C (- 4°F + 212°F)
FPM (V) -20°C + 180°C (- 4°F + 356°F)
EPDM (Ethylene Propylene) -40°C + 150°C (- 40°F + 302°F)

Working Pressure - Betriebsdruck

35 Bar (510 PSI)

Flow size - Nennweite

rtc type 017.05 5 mm
rtc type 017.10 9.5 mm

Standard version - Standardversion

Seals - Dichtung : Nitrile (N)

Material of Standard Coupler / Material für die Standardversion

Socket body	Steel nickel plated -
Kupplungsgrundkörper	Stahl Nickel beschichtet
Sleeve	Steel nickel plated -
Hülse	Stahl Nickel beschichtet
Valve - Ventil	Brass - Messing
Springs - Federn	Stainless Steel - Edelstahl
Balls - Kugeln	Stainless Steel - Edelstahl
Seals - Dichtung	Nitrile (N)
Plug -	Steel zinc-nickel plated -
Nippel	Stahl Zink-Nickel beschichtet

Technical Specifications & Advantages

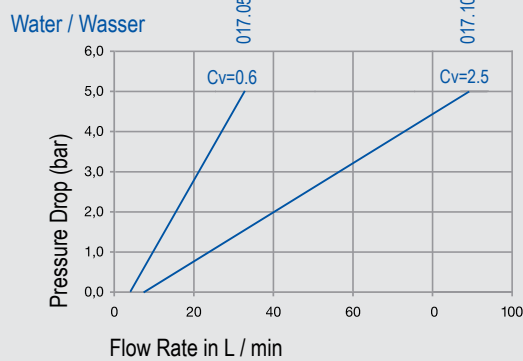
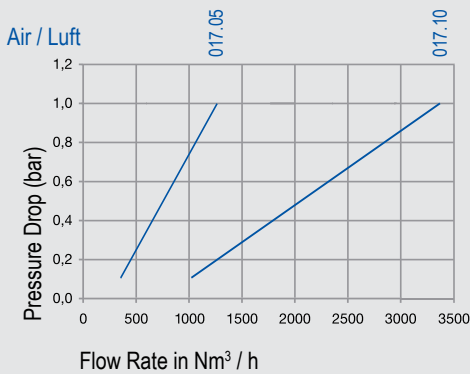
- English Industrial Profile
- Advantage of one hand useage.
- Compact dimensions.
- High flow valve.

Technische Daten und Vorteile

- Englischs Industrieprofil
- Vorteil durch Einhandbedienung.
- Kompakte Abmessungen.
- Ventil mit hohem Druchfluss.



Flow Rate vs Pressure Drop Graph



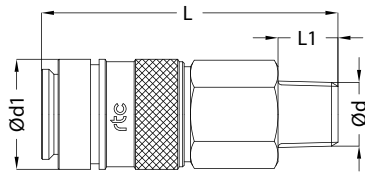
017
rtc TYPE

rtc TYPE 017

Male thread socket / Kupplung mit Aussengewinde



Socket / Kupplung



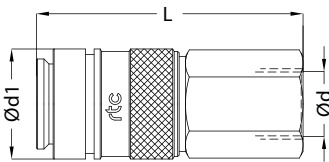
Size / Größe	Order No / Bestellnr. 	Order No / Bestellnr. 	Ød	Ød1	L	L1	HEX.
05	017.05 SRO 10	017.05 SRF 10	BSPT 1/8	22	56	9	19
	017.05 SRO 13	017.05 SRF 13	BSPT 1/4	22	59	12	19
	017.05 SRO 17	017.05 SRF 17	BSPT 3/8	22	58	12	19
	017.05 SRO 21	017.05 SRF 21	BSPT 1/2	22	58	17	22
9.5	017.10 SRO 17	017.10 SRF 17	BSPT 3/8	30	68	12	27
	017.10 SRO 21	017.10 SRF 21	BSPT 1/2	30	73	17	27
	017.10 SRO 26	017.10 SRF 26	BSPT 3/4	30	65	17	27

rtc TYPE 017

Female thread socket / Kupplung mit Innengewinde



Socket / Kupplung



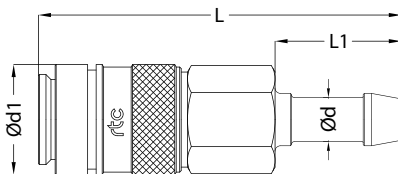
Size / Größe	Order No / Bestellnr. 	Order No / Bestellnr. 	Ød	Ød1	L	HEX.
05	017.05 SFO 10	017.05 SFF 10	BSP 1/8	22	54	19
	017.05 SFO 13	017.05 SFF 13	BSP 1/4	22	54	19
	017.05 SFO 17	017.05 SFF 17	BSP 3/8	22	53	19
	017.05 SFO 21	017.05 SFF 21	BSP 1/2	22	56	24
9.5	017.10 SFO 13	017.10 SFF 13	BSP 1/4	30	71	27
	017.10 SFO 17	017.10 SFF 17	BSP 3/8	30	71	27
	017.10 SFO 21	017.10 SFF 21	BSP 1/2	30	71	27

rtc TYPE 017

Standard hose tail socket / Kupplung mit gerader Standard - Schlauchtülle



Socket / Kupplung



Size / Größe	Order No / Bestellnr. 	Order No / Bestellnr. 	Ød	Ød1	L	L1
05	017.05 SHO 06	017.05 SHF 06	6 mm	22	70	23
	017.05 SHO 08	017.05 SHF 08	8 mm	22	70	23
	017.05 SHO 09	017.05 SHF 09	9 mm	22	70	23
	017.05 SHO 10	017.05 SHF 10	10 mm	22	70	23
	017.05 SHO 13	017.05 SHF 13	13 mm	22	70	23
9.5	017.10 SHO 10	017.10 SHF 10	10 mm	30	79	23
	017.10 SHO 13	017.10 SHF 13	13 mm	30	79	23
	017.10 SHO 16	017.10 SHF 16	16 mm	30	82	26
	017.10 SHO 19	017.10 SHF 19	19 mm	30	89	33



Male thread plug / Nippel mit Aussengewinde

TYPE 017 **rtc**

Plug / Nippel	Size / Größe	Order No / Bestellnr. →←	Ød	Ød1	L	L1	HEX.
	05	017.05 PRF 10	BSPT 1/8	11	37	9	14
		017.05 PRF 13	BSPT 1/4	11	41.5	12	14
		017.05 PRF 17	BSPT 3/8	11	41.5	12	17
		017.05 PRF 21	BSPT 1/2	11	46.5	17	22
	9.5	017.10 PRF 13	BSPT 1/4	17	49	12	19
		017.10 PRF 17	BSPT 3/8	17	49	12	19
017.10 PRF 21		BSPT 1/2	17	53	17	22	



Female thread plug / Nippel mit Innengewinde

TYPE 017 **rtc**

Plug / Nippel	Size / Größe	Order No / Bestellnr. →←	Ød	Ød1	L	HEX.
	05	017.05 PFF 10	BSP 1/8	11	48	13
		017.05 PFF 13	BSP 1/4	11	40	17
		017.05 PFF 17	BSP 3/8	11	40	19
	9.5	017.10 PFF 13	BSP 1/4	17	46	19
		017.10 PFF 17	BSP 3/8	17	47	19
		017.10 PFF 21	BSP 1/2	17	50	24



Standard hose tail plug / Nippel mit gerader Standard - Schlauchtülle

TYPE 017 **rtc**

Plug / Nippel	Size / Größe	Order No / Bestellnr. →←	Ød	Ød1	L	L1
	05	017.05 PHF 06	6 mm	11	51	23
		017.05 PHF 08	8 mm	11	51	23
		017.05 PHF 10	10 mm	11	51	23
		017.05 PHF 13	13 mm	11	51	23
	9.5	017.10 PHF 08	8 mm	17	55	23
		017.10 PHF 10	10 mm	17	55	23
		017.10 PHF 13	13 mm	17	55	23
		017.10 PHF 16	16 mm	17	55	23



rtc[®]

COUPLING TECHNOLOGY



019

rtc TYPE



DN 5.5 mm Pneumatic Coupling

TYPE 019



Compatibility - Kompatibilität

Rectus 19KA
PCL AC21, AC29, AC91

Temperature Range - Temperaturbereich

Nitrile (N) -20°C + 100°C (- 4°F + 212°F)
FPM (V) -20°C + 180°C (- 4°F + 356°F)
EPDM (Ethylene Propylene) -40°C + 150°C (- 40°F + 302°F)

Working Pressure - Betriebsdruck

35 Bar (510 PSI)

Flow size - Nennweite

rtc type 019 5,5 mm

Standard version - Standardversion

Seals - Dichtung : Nitrile (N)

Material of Standard Coupler / Material für die Standardversion

Socket body - Kupplungsgrundkörper	Brass with nickel plated - Messing vernickelt
Sleeve - Hülse	Steel nickel plated - Stahl Nickel beschichtet
Springs - Federn	Stainless Steel - Edelstahl
Balls - Kugeln	Stainless Steel - Edelstahl
Seals - Dichtung	Nitrile (N)
Plug - Nippel	Steel zinc-nickel plated - Stahl Zink-Nickel beschichtet

Technical Specifications & Advantages

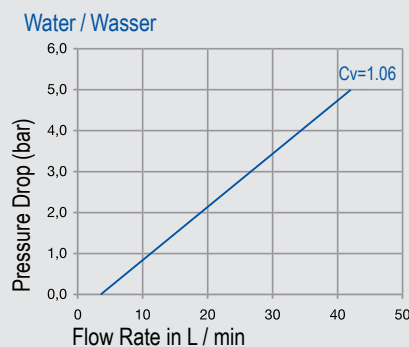
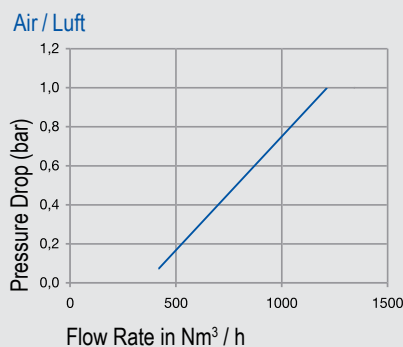
- English Industrial Profile
- One handed connection.
- Compact dimensions.
- High flow valve.

Technische Daten und Vorteile

- Englischs Industrieprofil
- Vorteil durch Einhandbedienung.
- Kompakte Abmessungen.
- Ventil mit hohem Druchfluss.



Flow Rate vs Pressure Drop Graph



019
rtc TYPE

rtc TYPE 019

Male thread socket / Kupplung mit Aussengewinde



Socket / Kupplung

Size / Größe

Order No / Bestellnr.

Order No / Bestellnr.

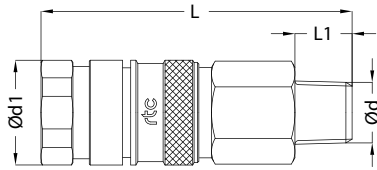
Ød

Ød1

L

L1

HEX.



5.5

019 SRO 10	019 SRF 10	BSPT 1/8	22	62	9	19
019 SRO 13	019 SRF 13	BSPT 1/4	22	65	12	19
019 SRO 17	019 SRF 17	BSPT 3/8	22	64	12	19
019 SRO 21	019 SRF 21	BSPT 1/2	22	62	17	22

rtc TYPE 019

Female thread socket / Kupplung mit Innengewinde



Socket / Kupplung

Size / Größe

Order No / Bestellnr.

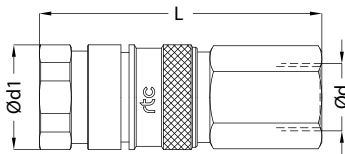
Order No / Bestellnr.

Ød

Ød1

L

HEX.



5.5

019 SFO 10	019 SFF 10	BSP 1/8	22	60	19
019 SFO 13	019 SFF 13	BSP 1/4	22	60	19
019 SFO 17	019 SFF 17	BSP 3/8	22	59	19
019 SFO 21	019 SFF 21	BSP 1/2	22	62	24

rtc TYPE 019

Standard hose tail socket / Kupplung mit gerader Standard - Schlauchtülle



Socket / Kupplung

Size / Größe

Order No / Bestellnr.

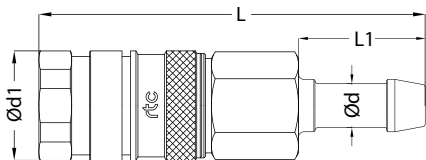
Order No / Bestellnr.

Ød

Ød1

L

L1



5.5

019 SHO 06	019 SHF 06	6 mm	22	76	23
019 SHO 08	019 SHF 08	8 mm	22	76	23
019 SHO 09	019 SHF 09	9 mm	22	76	23
019 SHO 10	019 SHF 10	10 mm	22	76	23
019 SHO 13	019 SHF 13	13 mm	22	76	23



Male thread plug / Nippel mit Aussengewinde

TYPE 019 **rtc**

Plug / Nippel	Size / Größe	Order No / Bestellnr. →←	Ød	Ød1	L	L1	HEX.
	5.5	019 PRF 10	BSPT 1/8	10.3	50	9	14
		019 PRF 13	BSPT 1/4	10.3	54	12	14
		019 PRF 17	BSPT 3/8	10.3	56	12	17
		019 PRF 21	BSPT 1/2	10.3	64	17	22
		019 PMF 10	BSP 1/8	10.3	49	8	14
		019 PMF 13	BSP 1/4	10.3	53	11	14
		019 PMF 17	BSP 3/8	10.3	56	12	17
		019 PMF 21	BSP 1/2	10.3	63	16	24



Female thread plug / Nippel mit Innengewinde

TYPE 019 **rtc**

Plug / Nippel	Size / Größe	Order No / Bestellnr. →←	Ød	Ød1	L	HEX.
	5.5	019 PFF 10	BSP 1/8	10.3	49	13
		019 PFF 13	BSP 1/4	10.3	55	17
		019 PFF 17	BSP 3/8	10.3	58	19



Standard hose tail plug / Nippel mit gerader Standard - Schlauchtülle

TYPE 019 **rtc**

Plug / Nippel	Size / Größe	Order No / Bestellnr. →←	Ød	Ød1	L	L1
	5.5	019 PHF 06	6 mm	10.3	63	23
		019 PHF 08	8 mm	10.3	63	23
		019 PHF 10	10 mm	10.3	63	23



rtc[®]

COUPLING TECHNOLOGY



020

rtc TYPE



DN 2.7 mm Pneumatic and Water Coupling

TYPE 020



Compatible - Kompatibilität

Rectus 20KA, 20KB(Double Shut-off), 91
Walther 06-003

Temperature Range - Temperaturbereich

Nitrile (N)	-20°C + 100°C (- 4°F + 212°F)
FPM (V)	-20°C + 180°C (- 4°F + 356°F)
EPDM (Ethylene Propylene)	-40°C + 150°C (- 40°F + 302°F)

Working Pressure - Betriebsdruck

35 Bar (510 PSI)

Flow size - Nennweite

rtc type 020 2.7 mm (1/8")

Standard version - Standardversion

Seals - Dichtung : Nitrile (N)

Material of Standard Coupler / Material für die Standardversion

Socket body	Brass nickel plated - Messing vernickelt
Kupplungsgrundkörper	Messing vernickelt
Sleeve	Brass nickel plated - Messing vernickelt
Hülse	Messing vernickelt
Springs - Federn	Stainless Steel - Edelstahl
Locking Ring - Sprengring	Stainless Steel - Edelstahl
Balls - Kugeln	Stainless Steel - Edelstahl

Plug - Nippel	Brass nickel plated
	Messing vernickelt

Using Area

Mini coupling for industrial pneumatic, gas and water applications with a remarkable high rate of flow.

Widely used in medical industry. It can also be used in chemistry/pharmacy.

Technical Specifications & Advantages

- Advantage of one hand operation.
- Ideal to use in small areas.
- Minimised pressure loss
- Corrosion resistant.

Bereich verwenden

Mini-Kupplung für industrielle Pneumatik-, Gas- und Wasseranwendungen mit bemerkenswerten hohen Durchflusseigenschaften.

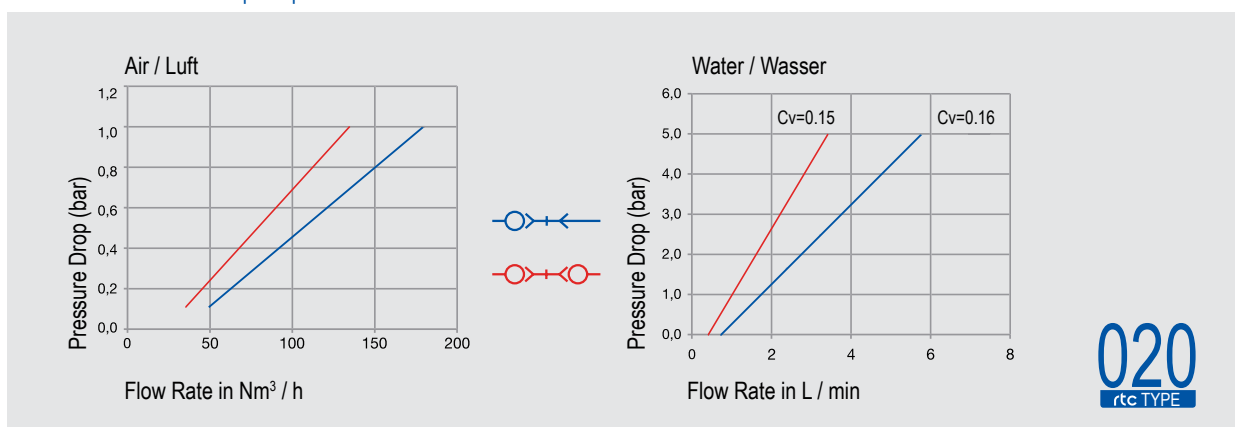
Weit verbreitet in der Medizin Industrie. Auch für den Einsatz in der Chemie- und Pharma-industrie geeignet.

Technische Daten und Vorteile

- Vorteil durch Einhandbedienung.
- Ideal für den Einsatz in kleinen Bereichen.
- Ventil mit hohem Druckfluss und geringem Druckverlust.
- Korrosionsbeständig


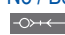

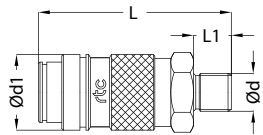


Flow Rate vs Pressure Drop Graph




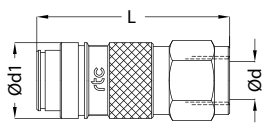


020
rtc TYPE




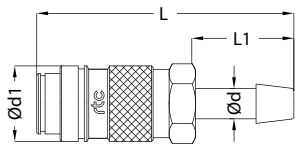
rtc TYPE 020 Male thread socket / Kupplung mit Aussengewinde 

Sockets / Kupplungen	Size / Größe	Order No / Bestellnr. 	Order No / Bestellnr. 	Order No / Bestellnr. 	Ød	Ød1	L	L1	HEX.
	2.7	020 SMB 0508	020 SMO 0508	020 SMF 0508	M5x0.8	10	26	5	9
		020 SMB 10	020 SMO 10	020 SMF 10	BSP 1/8	10	28	7	11




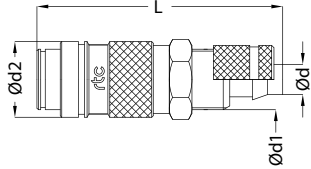
rtc TYPE 020 Female thread socket / Kupplung mit Innengewinde 


Sockets / Kupplungen	Size / Größe	Order No / Bestellnr. 	Order No / Bestellnr. 	Order No / Bestellnr. 	Ød	Ød1	L	HEX.
	2.7	020 SFB 0508	020 SFO 0508	020 SFF 0508	M5x0.8	10	26	9
		020 SFB 10	020 SFO 10	020 SFF 10	BSP 1/8	10	28	12


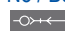

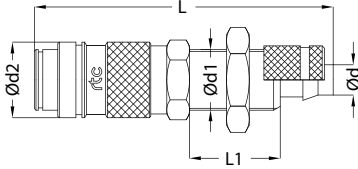
rtc TYPE 020 Standard hose tail socket / Kupplung mit gerader Standard - Schlauchtülle 

Sockets / Kupplungen	Size / Größe	Order No / Bestellnr. 	Order No / Bestellnr. 	Order No / Bestellnr. 	Ød	Ød1	L	L1
	2.7	020 SHB 03	020 SHO 03	020 SHF 03	3 mm	10	35	13
		020 SHB 04	020 SHO 04	020 SHF 04	4 mm	10	35	13
		020 SHB 05	020 SHO 05	020 SHF 05	5 mm	10	34	13




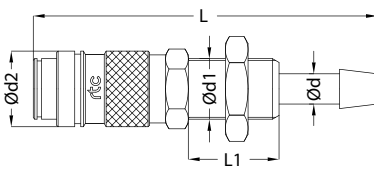
rtc TYPE 020 Plastic Hose Connection / Kunststoffschlauch 

Sockets / Kupplungen	Size / Größe	Order No / Bestellnr. 	Order No / Bestellnr. 	Order No / Bestellnr. 	Ød	Ød1	Ød2	L
	2.7	020 SVB 0304	020 SVO 0304	020 SVF 0304	3x4 mm	M7x0.5	10	33
		020 SVB 0305	020 SVO 0305	020 SVF 0305	3x5 mm	M7x0.5	10	33
		020 SVB 0406	020 SVO 0406	020 SVF 0406	4x6 mm	M8x0.5	10	33

rtc TYPE 020 Panel Mount Plastic Hose Connection / Schottverschraubung für Kunststoffschlauch 

Sockets / Kupplungen	Size / Größe	Order No / Bestellnr. 	Order No / Bestellnr. 	Order No / Bestellnr. 	Ød	Ød1	Ød2	L	L1	HEX.
	2.7	020 SVBP 0304	020 SVOP 0304	020 SVOP 0304	3x4	M7x0.5	10	40	12	11
		020 SVBP 0305	020 SVOP 0305	020 SVOP 0305	3x5	M7x0.5	10	40	12	11
		020 SVBP 0406	020 SVOP 0406	020 SVOP 0406	4x6	M8x0.5	10	40	12	12

rtc TYPE 020 Panel Mount Hose Barb / Schottverschraubung für Schlauchanschluss 

Sockets / Kupplungen	Size / Größe	Order No / Bestellnr. 	Order No / Bestellnr. 	Order No / Bestellnr. 	Ød	Ød1	Ød2	L	L1	HEX.
	2.7	020 SHBP 03	020 SHOP 03	020 SHFP 03	3	M7x0.5	10	44	13	11
		020 SHBP 04	020 SHOP 04	020 SHFP 04	4	M7x0.5	10	44	13	11
		020 SHBP 06	020 SHOP 06	020 SHFP 06	6	M10x1	10	44	13	12

Male thread plug / Nippel mit Aussengewinde TYPE 020

Plugs / Nippel	Size / Größe	Order No / Bestellnr. Without valve / ohne Ventil	Ød	Ød1	L	L1	HEX.
	2.7	020 PMF 0508	M5x0.8	5	18	5	7
		020 PMF 08125	M8x1.25	5	20	7	11
		020 PMF 10	BSP 1/8	5	20	7	11
		020 PMF 13	BSP 1/4	5	22	9	14

Female thread plug / Nippel mit Innengewinde TYPE 020

Plugs / Nippel	Size / Größe	Order No / Bestellnr. Without valve / ohne Ventil	Ød	Ød1	L	HEX.
	2.7	020 PFF 0508	M5x0.8	5	17	7
		020 PFF 10	BSP 1/8	5	19	12

Standard hose tail plug / Nippel mit gerader Standard - Schlauchtülle TYPE 020

Plugs / Nippel	Size / Größe	Order No / Bestellnr. Without valve / ohne Ventil	Ød	Ød1	L	L1
	2.7	020 PHF 03	3 mm	5	24	13
		020 PHF 04	4 mm	5	24	13
		020 PHF 05	5 mm	5	24	13
		020 PHF 06	6 mm	5	24	13

Plastic Hose Connection / Kunststoffschlauch TYPE 020

Plugs / Nippel	Size / Größe	Order No / Bestellnr. Without valve / ohne Ventil	Ød	Ød1	Ød2	L	L1	HEX.
	2.7	020 PVF 0304	3x4 mm	M7x0.5	5	25	5	7
		020 PVF 0305	3x5 mm	M7x0.5	5	25	5	7
		020 PVF 0406	4x6 mm	M8x0.5	5	25	5	9

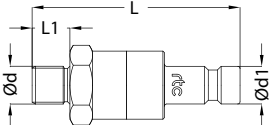
Panel Mount Plastic Hose Connection / Schottverschraubung für Kunststoffschlauch TYPE 020

Plugs / Nippel	Size / Größe	Order No / Bestellnr. Without valve / ohne Ventil	Ød	Ød1	Ød2	L	L1	HEX.
	2.7	020 PVFP 0304	3x4 mm	M7x0.5	5	32	12	11
		020 PVFP 0305	3x5 mm	M7x0.5	5	32	12	11
		020 PVFP 0406	4x6 mm	M8x0.5	5	32	12	12

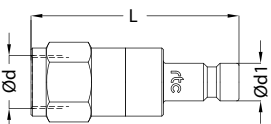
Panel Mount Hose Barb / Schottverschraubung für Schlauchanschluss TYPE 020


Plugs / Nippel	Size / Größe	Order No / Bestellnr. Without valve / ohne Ventil	Ød	Ød1	Ød2	L	L1	HEX.
	2.7	020 PHFP 03	3 mm	M7x0.5	5	36	10	11
		020 PHFP 04	4 mm	M7x0.5	5	36	10	11
		020 PHFP 06	6 mm	M10x1	5	36	10	12

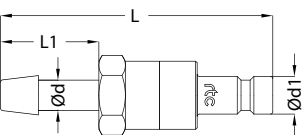
rtc TYPE 020 Male thread plug with valve / Nippel mit Aussengewinde mit Ventil 

Plugs / Nippel	Size / Größe	Order No / Bestellnr. With valve / mit Ventil	Ød	Ød1	L	L1	HEX.
	2.7	020 PMB 0508	M5x0.8	5	27.5	5	9
		020 PMB 10	BSP 1/8	5	29.5	7	11

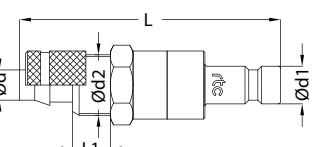
rtc TYPE 020 Female thread plug with valve / Nippel mit Innengewinde mit Ventil 

Plugs / Nippel	Size / Größe	Order No / Bestellnr. With valve / mit Ventil	Ød	Ød1	L	HEX.
	2.7	020 PFB 0508	M5x0.8	5	27.5	9
		020 PFB 10	BSP 1/8	5	30	12

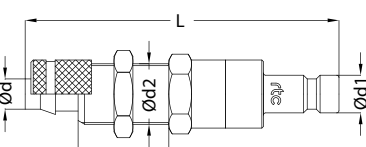
rtc TYPE 020 Standard hose tail plug with valve / Nippel mit gerader Standard - Schlauchtülle mit Ventil 

Plugs / Nippel	Size / Größe	Order No / Bestellnr. With valve / mit Ventil	Ød	Ød1	L	L1
	2.7	020 PHB 03	3 mm	5	36	13
		020 PHB 04	4 mm	5	36	13
		020 PHB 05	5 mm	5	36	13

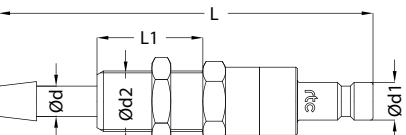
rtc TYPE 020 Plastic Hose Connection / Kunststoffschlauch 

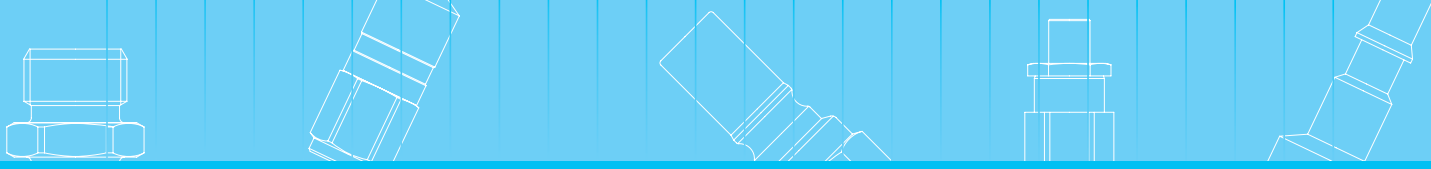
Plugs / Nippel	Size / Größe	Order No / Bestellnr. With valve / mit Ventil	Ød	Ød1	Ød2	L	L1	HEX.
	2.7	020 PVB 0304	3x4 mm	M7x0.5	5	35	5	9
		020 PVB 0305	3x5 mm	M7x0.5	5	35	5	9
		020 PVB 0406	4x6 mm	M8x0.5	5	35	5	9

rtc TYPE 020 Panel Mount Plastic Hose Connection / Schottverschraubung für Kunststoffschlauch 

Plugs / Nippel	Size / Größe	Order No / Bestellnr. With valve / mit Ventil	Ød	Ød1	Ød2	L	L1	HEX.
	2.7	020 PVBP 0304	3x4 mm	M7x0.5	5	42	12	11
		020 PVBP 0305	3x5 mm	M7x0.5	5	42	12	11
		020 PVBP 0406	4x6 mm	M8x0.5	5	42	12	12

rtc TYPE 020 Panel Mount Hose Barb / Schottverschraubung für Schlauchanschluss 

Plugs / Nippel	Size / Größe	Order No / Bestellnr. With valve / mit Ventil	Ød	Ød1	Ød2	L	L1	HEX.
	2.7	020 PHBP 03	3 mm	M7x0.5	5	46	10	11
		020 PHBP 04	4 mm	M7x0.5	5	46	10	11
		020 PHBP 06	6 mm	M10x1	5	46	10	12



rtc[®]

COUPLING TECHNOLOGY



021

rtc TYPE



DN 5 mm Pneumatic and Water Coupling

TYPE 021



Compatible - Kompatibilität

rtc 003
Rectus 21KA, 90
Rectus 21KB (Double Shut-off)

Temperature Range - Temperaturbereich

Nitrile (N) -20°C + 100°C (-4°F + 212°F)
FPM (V) -20°C + 180°C (-4°F + 356°F)
EPDM (Ethylene Propylene) -40°C + 150°C (-40°F + 302°F)

Working Pressure - Betriebsdruck

35 Bar (510 PSI)

Flow size - Nennweite

rtc type 021 5 mm

Standard version - Standardversion

Seals - Dichtung : Nitrile (N)

Material of Standard Coupler

Material für die Standardversion

Socket body	Brass -
Kupplungsgrundkörper	Messing
Sleeve - Hülse	Brass - Messing
Springs - Federn	Stainless Steel - Edelstahl
Balls - Kugeln	Stainless Steel - Edelstahl

Plug - Nippel Brass - Messing

Nickel plated version: Kindly add "-NI" at the end of the order no. Additives shown in red.

Vernickeltversion: Bitte fügen Sie "-NI" am Ende der Bestellnr. Optionen sind Rot angezeigt

Safety Version: Kindly add "-S" at the end of the order no.

Sicherheitsversion: Bitte fügen Sie "-S" am Ende der Bestellnr.

Example Codes: 021 PFF 13-NI
021 PFF 13-S

Material of Nickel Plated Coupler /

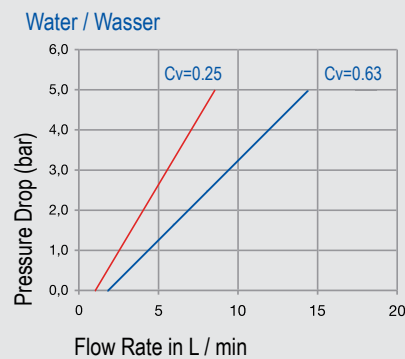
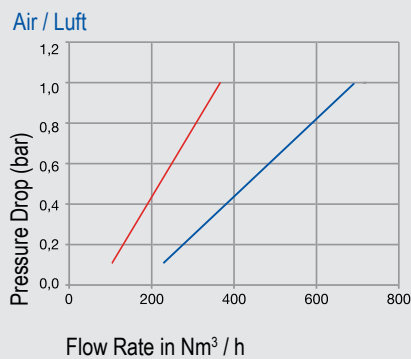
Material für die Vernickeltversion Kupplung

Socket body	Brass nickel plated -
Kupplungsgrundkörper	Messing vernickelt
Sleeve	Brass nickel plated -
Hülse	Messing vernickelt
Springs - Federn	Stainless Steel - Edelstahl
Balls - Kugeln	Stainless Steel - Edelstahl

Plug Nippel Brass nickel plated -
Messing vernickelt

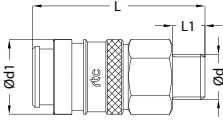


Flow Rate vs Pressure Drop Graph

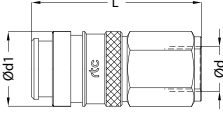


021
rtc TYPE

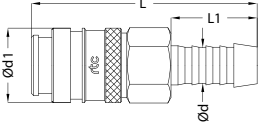
rtc TYPE 021 Male thread socket / Kupplung mit Aussengewinde

Sockets / Kupplungen	Size / Größe	Order No / Bestellnr.	Order No / Bestellnr.	Order No / Bestellnr.	Ød	Ød1	L	L1	HEX.
	05	021 SMB 10	021 SMO 10	021 SMF 10	BSP 1/8	16	37	7	14
		021 SMB 13	021 SMO 13	021 SMF 13	BSP 1/4	16	37	8	16
		021 SMB 17	021 SMO 17	021 SMF 17	BSP 3/8	16	39	9	19
		021 SMB 1215	021 SMO 1215	021 SMF 1215	M12x1.5	16	40	10	17
		021 SMB 1415	021 SMO 1415	021 SMF 1415	M14x1.5	16	40	10	17

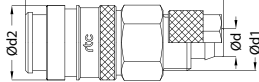
rtc TYPE 021 Female thread socket / Kupplung mit Innengewinde

Sockets / Kupplungen	Size / Größe	Order No / Bestellnr.	Order No / Bestellnr.	Order No / Bestellnr.	Ød	Ød1	L	HEX.
	05	021 SFB 10	021 SFO 10	021 SFF 10	BSP 1/8	16	37	14
		021 SFB 13	021 SFO 13	021 SFF 13	BSP 1/4	16	39	17
		021 SFB 17	021 SFO 17	021 SFF 17	BSP 3/8	16	39	19
		021 SFB 1215	021 SFO 1215	021 SFF 1215	M12x1.5	16	39	15
		021 SFB 1415	021 SFO 1415	021 SFF 1415	M14x1.5	16	39	17

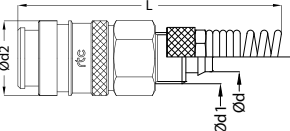
rtc TYPE 021 Standard hose tail socket / Kupplung mit gerader Standard - Schlauchtülle

Sockets / Kupplungen	Size / Größe	Order No / Bestellnr.	Order No / Bestellnr.	Order No / Bestellnr.	Ød	Ød1	L	L1
	05	021 SHB 04	021 SHO 04	021 SHF 04	4 mm	16	46	16
		021 SHB 06	021 SHO 06	021 SHF 06	6 mm	16	49	19
		021 SHB 08	021 SHO 08	021 SHF 08	8 mm	16	49	19
		021 SHB 09	021 SHO 09	021 SHF 09	9 mm	16	49	19
		021 SHB 10	021 SHO 10	021 SHF 10	10 mm	16	49	19

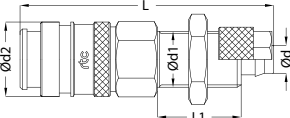
rtc TYPE 021 Plastic Hose Connection / Kunststoffschlauch

Sockets / Kupplungen	Size / Größe	Order No / Bestellnr.	Order No / Bestellnr.	Order No / Bestellnr.	Ød	Ød1	Ød2	L
	05	021 SVB 0406	021 SVO 0406	021 SVF 0406	4x6 mm	M10x1	16	43
		021 SVB 0608	021 SVO 0608	021 SVF 0608	6x8 mm	M12x1	16	43

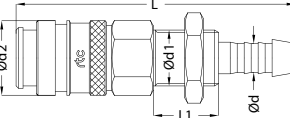
rtc TYPE 021 Plastic Hose Connection With Spring Guard / Knickschutzfeder

Sockets / Kupplungen	Size / Größe	Order No / Bestellnr.	Order No / Bestellnr.	Order No / Bestellnr.	Ød	Ød1	Ød2	L
	05	021 SVBG 0406	021 SVOG 0406	021 SVFG 0406	4x6 mm	M10x1	16	125
		021 SVBG 0608	021 SVOG 0608	021 SVFG 0608	6x8 mm	M12x1	16	130

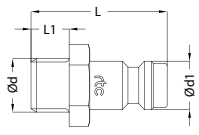
rtc TYPE 021 Panel Mount Plastic Hose Connection / Schottverschraubung für Kunststoffschlauch

Sockets / Kupplungen	Size / Größe	Order No / Bestellnr.	Order No / Bestellnr.	Order No / Bestellnr.	Ød	Ød1	Ød2	L	L1
	05	021 SVBP 0406	021 SVOP 0406	021 SVFP 0406	4x6	M10x1	16	55	18
		021 SVBP 0608	021 SVOP 0608	021 SVFP 0608	6x8	M12x1	16	55	18

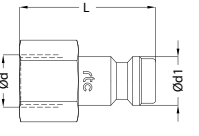
rtc TYPE 021 Panel Mount Hose Barb / Schottverschraubung für Schlauchanschluss

Sockets / Kupplungen	Size / Größe	Order No / Bestellnr.	Order No / Bestellnr.	Order No / Bestellnr.	Ød	Ød1	Ød2	L	L1	HEX.
	05	021 SHBP 04	021 SHOP 04	021 SHFP 04	4	M10x1	16	60	14	14
		021 SHBP 05	021 SHOP 05	021 SHFP 05	5	M12x1	16	60	14	14
		021 SHBP 06	021 SHOP 06	021 SHFP 06	6	M12x1	16	60	14	14
		021 SHBP 08	021 SHOP 08	021 SHFP 08	8	M12x1	16	60	14	14
		021 SHBP 09	021 SHOP 09	021 SHFP 09	9	M14x1	16	60	14	17
		021 SHBP 10	021 SHOP 10	021 SHFP 10	10	M14x1	16	60	14	17

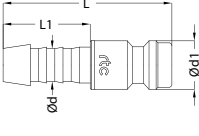
Male thread plug / Nippel mit Aussengewinde TYPE 021 **rtc**

Plugs / Nippel	Size / Größe	Order No / Bestellnr. Without valve / ohne Ventil	Ød	Ød1	L	L1	HEX.
	05	021 PMF 10	BSP 1/8	9	25	7	13
		021 PMF 13	BSP 1/4	9	28	9	16
		021 PMF 17	BSP 3/8	9	28	9	19
		021 PMF 1010	M10x1	9	26	8	13
		021 PMF 1215	M12x1.5	9	28	10	15
		021 PMF 1415	M14x1.5	9	28	10	17

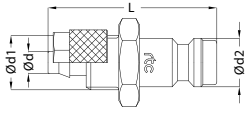
Female thread plug / Nippel mit Innengewinde TYPE 021 **rtc**

Plugs / Nippel	Size / Größe	Order No / Bestellnr. Without valve / ohne Ventil	Ød	Ød1	L	HEX.
	05	021 PFF 10	BSP 1/8	9	25	13
		021 PFF 13	BSP 1/4	9	25	17
		021 PFF 17	BSP 3/8	9	26	19
		021 PFF 1010	M10x1	9	25	13
		021 PFF 1215	M12x1.5	9	26	15
		021 PFF 1415	M14x1.5	9	26	17

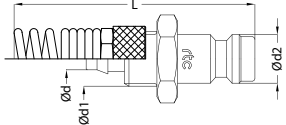
Standard hose tail plug / Nippel mit gerader Standard - Schlauchtülle TYPE 021 **rtc**

Plugs / Nippel	Size / Größe	Order No / Bestellnr. Without valve / ohne Ventil	Ød	Ød1	L	L1
	05	021 PHF 04	4 mm	9	31	16
		021 PHF 05	5 mm	9	31	16
		021 PHF 06	6 mm	9	31	16
		021 PHF 08	8 mm	9	34	19
		021 PHF 09	9 mm	9	34	19
		021 PHF 10	10 mm	9	34	19

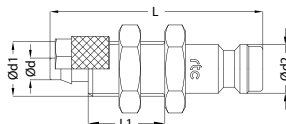
Plastic Hose Connection / Kunststoffschlauch TYPE 021 **rtc**

Plugs / Nippel	Size / Größe	Order No / Bestellnr. Without valve / ohne Ventil	Ød	Ød1	Ød2	L
	05	021 PVF 0406	4x6 mm	M10x1	9	31
		021 PVF 0608	6x8 mm	M12x1	9	31
		021 PVF 0810	8x10 mm	M14x1	9	36
		021 PVF 0812	8x12 mm	M16x1	9	36

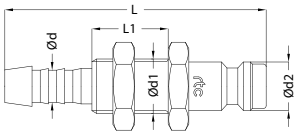
Plastic Hose Connection With Spring Guard / Knickschutzfeder TYPE 021 **rtc**

Plugs / Nippel	Size / Größe	Order No / Bestellnr. Without valve / ohne Ventil	Ød	Ød1	Ød2	L
	05	021 PVFG 0406	4x6 mm	M10x1	9	115
		021 PVFG 0608	6x8 mm	M12x1	9	120

Panel Mount Plastic Hose Connection / Schottverschraubung für Kunststoffschlauch TYPE 021 **rtc**

Plugs / Nippel	Size / Größe	Order No / Bestellnr. Without valve / ohne Ventil	Ød	Ød1	Ød2	L	L1
	05	021 PVFP 0406	4x6 mm	M10x1	9	43	18
		021 PVFP 0608	6x8 mm	M12x1	9	43	18
		021 PVFP 0810	8x10 mm	M14x1	9	43	18
		021 PVFP 1012	10x12 mm	M16x1	9	46	18

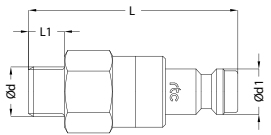
Panel Mount Hose Barb / Schottverschraubung für Schlauchanschluss TYPE 021 **rtc**

Plugs / Nippel	Size / Größe	Order No / Bestellnr. Without valve / ohne Ventil	Ød	Ød1	Ød2	L	L1	HEX.
	05	021 PHFP 04	4 mm	M10x1	9	52	17	14
		021 PHFP 05	5 mm	M12x1	9	52	17	14
		021 PHFP 06	6 mm	M12x1	9	52	17	14
		021 PHFP 08	8 mm	M12x1	9	52	17	14
		021 PHFP 09	9 mm	M16x1	9	53	17	17
		021 PHFP 10	10 mm	M16x1	9	53	17	17

rtc TYPE 021

Male thread plug with valve / Nippel mit Aussengewinde mit Ventil

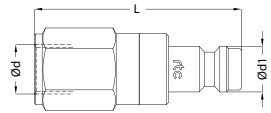


Plug / Nippel	Size / Größe	Order No / Bestellnr. With valve / mit Ventil	Ød	Ød1	L	L1	HEX.
	05	021 PMB 10	BSP 1/8	9	41	7	14
		021 PMB 13	BSP 1/4	9	41	8	16
		021 PMB 17	BSP 3/8	9	43	9	19
		021 PMB 1215	M12x1.5	9	44	10	17
		021 PMB 1415	M14x1.5	9	44	10	17

rtc TYPE 021

Female thread plug with valve / Nippel mit Innengewinde mit Ventil

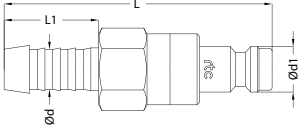


Plug / Nippel	Size / Größe	Order No / Bestellnr. With valve / mit Ventil	Ød	Ød1	L	HEX.
	05	021 PFB 10	BSP 1/8	9	40	14
		021 PFB 13	BSP 1/4	9	42	17
		021 PFB 17	BSP 3/8	9	42	19
		021 PFB 1215	M12x1.5	9	42	15
		021 PFB 1415	M14x1.5	9	42	17

rtc TYPE 021

Standard hose tail plug with valve / Nippel mit gerader Standard - Schlauchtülle mit Ventil

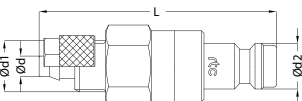


Plug / Nippel	Size / Größe	Order No / Bestellnr. With valve / mit Ventil	Ød	Ød1	L	L1
	05	021 PHB 04	4 mm	9	50	16
		021 PHB 06	6 mm	9	52	19
		021 PHB 08	8 mm	9	52	19
		021 PHB 09	9 mm	9	52	19
		021 PHB 10	10 mm	9	52	19

rtc TYPE 021

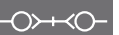
Plug with plastic hose connection with valve / Nippel mit Kunststoffschlauch mit Ventil

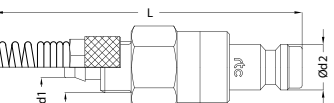


Plug / Nippel	Size / Größe	Order No / Bestellnr. With valve / mit Ventil	Ød	Ød1	Ød2	L	L1
	05	021 PVB 0406	4x6 mm	M10x1	9	46	6
		021 PVB 0608	6x8 mm	M12x1	9	46	6

rtc TYPE 021

Plug with plastic hose connection with spring guard with valve / Nippel Knickschutzfeder mit Ventil

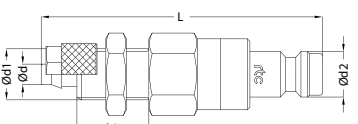


Plug / Nippel	Size / Größe	Order No / Bestellnr. With valve / mit Ventil	Ød	Ød1	Ød2	L
	05	021 PVBG 0406	4x6 mm	M10x1	9	130
		021 PVBG 0608	6x8 mm	M12x1	9	135

rtc TYPE 021

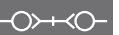
Plug panel mount plastic hose connection / Nippel mit Schottverschraubung für Kunststoffschlauch mit Ventil

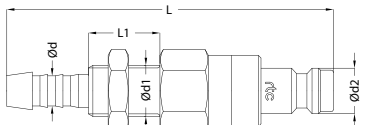


Plug / Nippel	Size / Größe	Order No / Bestellnr. With valve / mit Ventil	Ød	Ød1	Ød2	L	L1	HEX.
	05	021 PVBP 0406	4x6 mm	M10x1	9	58	18	14
		021 PVBP 0608	6x8 mm	M12x1	9	58	18	14

rtc TYPE 021

Plug panel mount hose barb with valve / Schottverschraubung für Schlauchanschluss mit Ventil



Plug / Nippel	Size / Größe	Order No / Bestellnr. With valve / mit Ventil	Ød	Ød1	Ød2	L	L2	HEX.
	05	021 PHBP 04	4 mm	M10x1	9	64	14	14
		021 PHBP 05	5 mm	M12x1	9	64	14	14
		021 PHBP 06	6 mm	M12x1	9	64	14	14
		021 PHBP 08	8 mm	M12x1	9	64	14	14
		021 PHBP 09	9 mm	M14x1	9	64	14	17
		021 PHBP 10	10 mm	M14x1	9	64	14	17



Compatible - Kompatibilität

Rectus 21KA, 90
 Rectus 21KB (Double Shut-off)
 Camozzi

Temperature Range - Temperaturbereich

Nitrile (N) -20°C + 100°C (-4°F + 212°F)
 FPM (V) -20°C + 180°C (-4°F + 356°F)
 EPDM (Ethylene Propylene) -40°C + 150°C (-40°F + 302°F)

Working Pressure - Betriebsdruck

35 Bar (510 PSI)

Flow size - Nennweite

rtc type 021 5 mm

Standard version - Standardversion

Seals - Dichtung : Nitrile (N)

**Material of Standard Coupler
 Material für die Standardversion**

Socket body Kupplungsgrundkörper	Brass nickel plated - Messing vernickelt
Sleeve Hülse	Brass nickel plated - Messing vernickelt
Springs - Federn	Stainless Steel - Edelstahl
Balls - Kugeln	Stainless Steel - Edelstahl

Plug Nippel	Brass nickel plated - Messing vernickelt
----------------	---

Coded version: Kindly add the no of edges of the shape at the beginning of the Ød. Shown below. Additives shown in red.

Kodierte Version: Bitte fügen Sie das Kürzel der Form in die Artikelnummer hinzu. Zusatzoptionen sind Rot angezeigt.

Example Code: 021 PFF 013 - Round Coded
 021 PFF 313 - Triangle Coded
 021 PFF 613 - Hexagonal Coded
 021 PFF 813 - Octagonal Coded



Round Coded / Rund Kodiert



Triangle Coded / Dreieck Kodiert



Hexagonal Coded / Hexagonal Kodiert



Octagonal Coded / Oktagonal Kodiert



rtc TYPE 021

CODE EXPLANATIONS



"0" Code

Example:
021 SMO 013

"3" Code

Example:
021 SMO 313

"6" Code

Example:
021 SMO 613



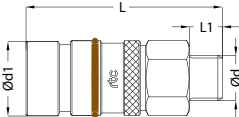
"8" Code

Example:
021 SMO 813

rtc TYPE 021

Coded male thread socket / Kodiert Kupplung mit Aussengewinde



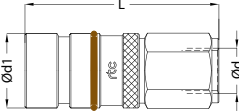


Sockets / Kupplungen	Size / Größe	Order No / Bestellnr. 	Order No / Bestellnr. 	Ød	Ød1	L	L1	HEX.
	05	021 SMO 310	021 SMF 310	BSP 1/8	16	46	7	14
		021 SMO 313	021 SMF 313	BSP 1/4	16	46	9	16
		021 SMO 317	021 SMF 317	BSP 3/8	16	48	9	19

rtc TYPE 021

Coded female thread socket / Kodiert Kupplung mit Innengewinde



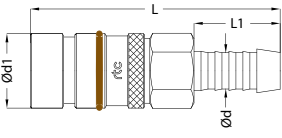


Sockets / Kupplungen	Size / Größe	Order No / Bestellnr. 	Order No / Bestellnr. 	Ød	Ød1	L	HEX.
	05	021 SFO 310	021 SFF 310	BSP 1/8	16	46	14
		021 SFO 313	021 SFF 313	BSP 1/4	16	48	17
		021 SFO 317	021 SFF 317	BSP 3/8	16	48	19

rtc TYPE 021

Coded Standard hose tail socket / Kodiert Kupplung mit gerader Standard - Schlauchtülle



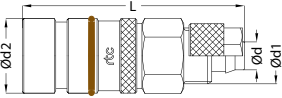


Sockets / Kupplungen	Size / Größe	Order No / Bestellnr. 	Order No / Bestellnr. 	Ød	Ød1	L	L1	HEX.
	05	021 SHO 304	021 SHF 304	4 mm	16	55	16	14
		021 SHO 306	021 SHF 306	6 mm	16	58	19	14
		021 SHO 308	021 SHF 308	8 mm	16	58	19	14
		021 SHO 309	021 SHF 309	9 mm	16	58	19	14
		021 SHO 310	021 SHF 310	10 mm	16	58	19	14

rtc TYPE 021

Coded socket with plastic hose connection / Kodiert Kupplung mit gerader Kunststoffschlauch



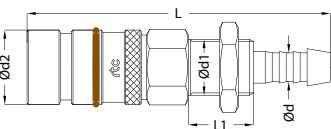


Sockets / Kupplungen	Size / Größe	Order No / Bestellnr. 	Order No / Bestellnr. 	Ød	Ød1	Ød2	L
	05	021 SVO 30406	021 SVF 30406	4x6	M10x1	16	49
		021 SVO 30608	021 SVF 30608	6x8	M12x1	16	49

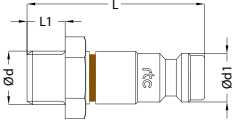
rtc TYPE 021

Panel Mount Hose Barb / Schottverschraubung für Schlauchanschluss

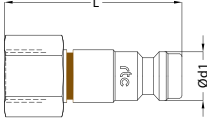


Sockets / Kupplungen	Size / Größe	Order No / Bestellnr. 	Order No / Bestellnr. 	Ød	Ød1	Ød2	L	L1	HEX.
	05	021 SHOP 304	021 SHFP 304	4 mm	M10x1	16	60	14	14
		021 SHOP 305	021 SHFP 305	5 mm	M12x1	16	60	14	14
		021 SHOP 306	021 SHFP 306	6 mm	M12x1	16	60	14	14
		021 SHOP 308	021 SHFP 308	8 mm	M12x1	16	60	14	14
		021 SHOP 309	021 SHFP 309	9 mm	M14x1	16	60	14	17
		021 SHOP 310	021 SHFP 310	10 mm	M14x1	16	60	14	17

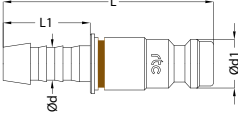
→ ← Coded male thread plug / Kodierter Nippel mit Aussengewinde TYPE 021 **rtc**

Plugs / Nippel	Size / Größe	Order No / Bestellnr. → ← ⚙	Ød	Ød1	L	L1	HEX.
	05	021 PMF 310	BSP 1/8	9	40	7	14
		021 PMF 313	BSP 1/4	9	42	9	17
		021 PMF 317	BSP 3/8	9	42	9	19

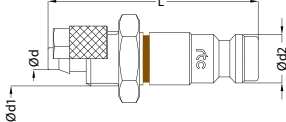
→ ← Coded female thread plug / Kodierter Nippel mit Innengewinde TYPE 021 **rtc**

Plugs / Nippel	Size / Größe	Order No / Bestellnr. → ← ⚙	Ød	Ød1	L	HEX.
	05	021 PFF 310	BSP 1/8	9	38	14
		021 PFF 313	BSP 1/4	9	39	17
		021 PFF 317	BSP 3/8	9	39	19

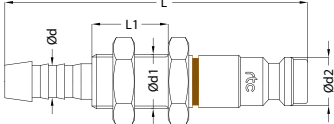
→ ← Coded Standard hose tail plug / Kodierter Nippel mit gerader Standard - Schlauchtülle TYPE 021 **rtc**

Plugs / Nippel	Size / Größe	Order No / Bestellnr. → ← ⚙	Ød	Ød1	L	L1
	05	021 PHF 304	4 mm	9	45	16
		021 PHF 305	5 mm	9	45	16
		021 PHF 306	6 mm	9	45	16
		021 PHF 308	8 mm	9	48	19
		021 PHF 309	9 mm	9	48	19
		021 PHF 310	10 mm	9	48	19

→ ← Coded plug with plastic hose connection / Kodierter Nippel mit gerader Kunststoffschlauch TYPE 021 **rtc**

Plugs / Nippel	Size / Größe	Order No / Bestellnr. → ← ⚙	Ød	Ød1	Ød2	L
	05	021 PVF 30406	4x6 mm	M10x1	9	45
		021 PVF 30608	6x8 mm	M12x1	9	45
		021 PVF 30810	8x10 mm	M14x1	9	50

→ ← Coded plug with panel mount hose barb / Kodierter Nippel mit Schottverschraubung für Schlauchanschluss TYPE 021 **rtc**

Plugs / Nippel	Size / Größe	Order No / Bestellnr. → ← ⚙	Ød	Ød1	Ød2	L	L1	HEX.
	05	021 PHFP 304	4 mm	M10x1	9	66	17	14
		021 PHFP 305	5 mm	M12x1	9	66	17	14
		021 PHFP 306	6 mm	M12x1	9	66	17	14
		021 PHFP 308	8 mm	M12x1	9	66	17	14
		021 PHFP 309	9 mm	M14x1	9	67	17	17
		021 PHFP 310	10 mm	M14x1	9	67	17	17



rtc[®]

COUPLING TECHNOLOGY



022

rtc TYPE



DN 5.5 mm Pneumatic Coupling

TYPE 022



Compatible - Kompatibilität

rtc	014
rtc	462.06
Rectus	14KA, 22KA
Aro	210
Parker	50
Cejn	300
Orion	44510

Temperature Range - Temperaturbereich

Nitrile (N)	-20°C + 100°C (-4°F + 212°F)
FPM (V)	-20°C + 180°C (-4°F + 356°F)
EPDM (Ethylene Propylene)	-40°C + 150°C (-40°F + 302°F)

Working Pressure - Betriebsdruck

35 Bar (510 PSI)

Flow size - Nennweite

rtc type 022 5.5 mm

Standard version - Standardversion

Seals - Dichtung : Nitrile (N)

Material of Standard Coupler

Material für die Standardversion

Socket body - Kupplungsgrundkörper	Brass Nickel Plated - Messing vernickelt
Sleeve - Hülse	Steel Nickel Plated - Stahl vernickelt
Springs - Federn	Stainless Steel - Edelstahl
Balls - Kugeln	Stainless Steel - Edelstahl
Plug - Nippel	Steel zinc-nickel plated - Stahl Zink-Nickel beschichtet

Technical Specifications & Advantages

- High performance valve with increased flow rate and minimised pressure loss.
- Advantage of one hand operation.
- Corrosion resistant.

Technische Daten und Vorteile

- Ventil mit hohem Durchfluss und geringem Druckverlust.
- Vorteil durch Einhandbedienung.
- Korrosionsbeständig

Material of Brass Coupler

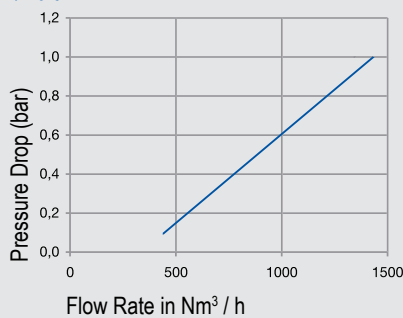
Material für die Messingversion

Socket body	Brass -
Kupplungsgrundkörper	Messing
Sleeve - Hülse	Brass - Messing
Springs - Federn	Stainless Steel - Edelstahl
Balls - Kugeln	Stainless Steel - Edelstahl
Plug - Nippel	Brass - Messing

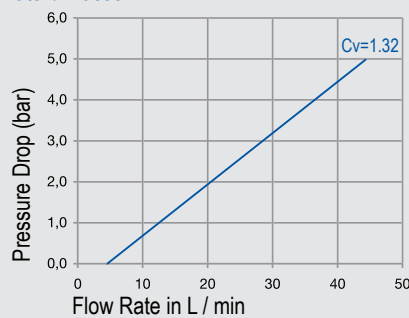


Flow Rate vs Pressure Drop Graph

Air / Luft



Water / Wasser



022
rtc TYPE

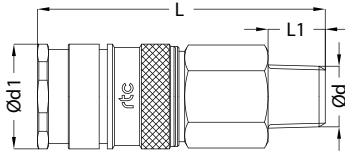
rtc TYPE 022

Male thread socket / Kupplung mit Aussengewinde



Sockets / Kupplungen

Size / Größe	Order No / Bestellnr. With valve / mit Ventil	Order No / Bestellnr. Without valve / ohne Ventil	Ød	Ød1	L	L1	HEX.
5.5	022 SRO 10	022 SRF 10	BSPT 1/8	22	57	9	19
	022 SRO 13	022 SRF 13	BSPT 1/4	22	60	12	19
	022 SRO 17	022 SRF 17	BSPT 3/8	22	59	12	19
	022 SRO 21	022 SRF 21	BSPT 1/2	22	57	17	22
	022 SMO 1415	022 SMF 1415	M14x1.5	22	58	10	19
	022 SMO 1615	022 SMF 1615	M16x1.5	22	58	11	19
	022 SMO 1815	022 SMF 1815	M18x1.5	22	58	11	19



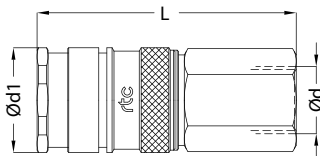
rtc TYPE 022

Female thread socket / Kupplung mit Innengewinde



Sockets / Kupplungen

Size / Größe	Order No / Bestellnr. With valve / mit Ventil	Order No / Bestellnr. Without valve / ohne Ventil	Ød	Ød1	L	L1	HEX.
5.5	022 SFO 10	022 SFF 10	BSP 1/8	22	55	9	19
	022 SFO 13	022 SFF 13	BSP 1/4	22	55	9	19
	022 SFO 17	022 SFF 17	BSP 3/8	22	54	9	19
	022 SFO 21	022 SFF 21	BSP 1/2	22	57	12	24



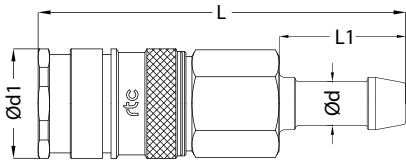
rtc TYPE 022

Standard hose tail socket / Kupplung mit gerader Standard - Schlauchtülle



Sockets / Kupplungen

Size / Größe	Order No / Bestellnr. With valve / mit Ventil	Order No / Bestellnr. Without valve / ohne Ventil	Ød	Ød1	L	L1	HEX.
5.5	022 SHO 06	022 SHF 06	6 mm	22	70.5	22.5	19
	022 SHO 08	022 SHF 08	8 mm	22	70.5	22.5	19
	022 SHO 09	022 SHF 09	9 mm	22	70.5	22.5	19
	022 SHO 10	022 SHF 10	10 mm	22	70.5	22.5	19
	022 SHO 13	022 SHF 13	13 mm	22	70.5	22.5	19



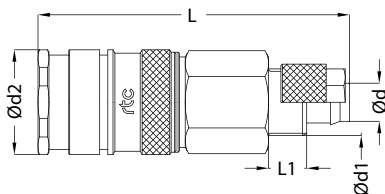
rtc TYPE 022

Socket with plastic hose connection / Kupplung mit Kunststoffschlauch

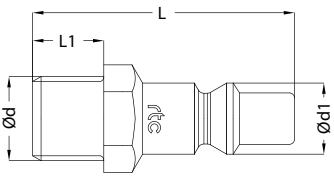


Sockets / Kupplungen

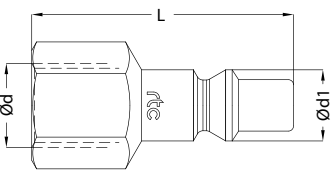
Size / Größe	Order No / Bestellnr. With valve / mit Ventil	Order No / Bestellnr. Without valve / ohne Ventil	Ød	Ød1	Ød2	L	L1	HEX.
5.5	022 SVO 0608	022 SVF 0608	6x8 mm	M12x1	22	61	6	19
	022 SVO 0810	022 SVF 0810	8x10 mm	M16x1	22	65	8	19



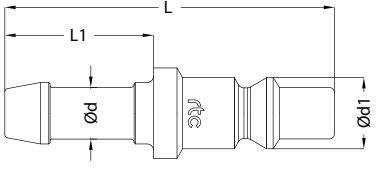
Male thread plug / Nippel mit Aussengewinde TYPE 022 **rtc**

Plugs / Nippel	Size / Größe	Order No / Bestellnr. Without valve / ohne Ventil	Ød	Ød1	L	L1	HEX.
 <p>Brass / Messing Kindly add "MS" at the end of the order no Example code: 022 PMF 13 MS</p>	5.5	022 PMF 10	BSP 1/8	11	36.5	8	14
		022 PMF 13	BSP 1/4	11	40.5	11	14
		022 PMF 17	BSP 3/8	11	42	11	19
		022 PMF 21	BSP 1/2	11	47.5	13	22
		022 PRF 10	BSPT 1/8	11	39.5	9	14
		022 PRF 13	BSPT 1/4	11	42.5	12	14
		022 PRF 17	BSPT 3/8	11	45.5	12	17
		022 PRF 21	BSPT 1/2	11	51.5	17	22
		022 PTF 10	NPT 1/8	11	39.5	9	14
		022 PTF 13	NPT 1/4	11	42.5	12	14
		022 PTF 17	NPT 3/8	11	45.5	12	17

Female thread plug / Nippel mit Innengewinde TYPE 022 **rtc**

Plugs / Nippel	Size / Größe	Order No / Bestellnr. Without valve / ohne Ventil	Ød	Ød1	L	L1	HEX.
 <p>Brass / Messing Kindly add "MS" at the end of the order no Example code: 022 PFF 13 MS</p>	5.5	022 PFF 10	BSP 1/8	11	37.5	9	13
		022 PFF 13	BSP 1/4	11	40.5	12	17
		022 PFF 17	BSP 3/8	11	41.5	12	19
		022 PFF 21	BSP 1/2	11	46	14	24

Standard hose tail plug / Nippel mit gerader Standard - Schlauchtülle TYPE 022 **rtc**

Plugs / Nippel	Size / Größe	Order No / Bestellnr. Without valve / ohne Ventil	Ød	Ød1	L	L1
 <p>Brass / Messing Kindly add "MS" at the end of the order no Example code: 022 PHF 06 MS</p>	5.5	022 PHF 06	6 mm	11	51	23
		022 PHF 08	8 mm	11	51	23
		022 PHF 10	10 mm	11	51	23
		022 PHF 13	13 mm	11	51	23



rtc[®]

COUPLING TECHNOLOGY



023

rtc TYPE



DN 5.5 mm Pneumatic Coupling

TYPE 023



Compatible - Kompatibilität

Industrial Interchange 1/4"
 rtc 460.06
 Rectus 23KA, 24KA, 1400/1423
 Parker 20 1/4", 30 1/4"
 Cejn 310
 Hansen 3000
 Tema 1400

Temperature Range - Temperaturbereich

Nitrile (N) -20°C + 100°C (- 4°F + 212°F)
 FPM (V) -20°C + 180°C (- 4°F + 356°F)
 EPDM (Ethylene Propylene) -40°C + 150°C (- 40°F + 302°F)

Working Pressure - Betriebsdruck

35 Bar (510 PSI)

Flow size - Nennweite

rtc type 023 5.5 mm

Standard version - Standardversion

Seals - Dichtung : Nitrile (N)

Material of Standard Coupler

Material für die Standardversion

Socket body - Kupplungsgrundkörper	Brass Nickel Plated - Messing vernickelt
Sleeve - Hülse	Steel Nickel Plated - Stahl vernickelt
Springs - Federn	Stainless Steel - Edelstahl
Balls - Kugeln	Stainless Steel - Edelstahl

Plug - Nippel	Steel zinc-nickel plated - Stahl Zink-Nickel beschichtet
------------------	---

Technical Specifications & Advantages

- Plug profile perfectly fits to the ISO 6150-B-12, AFNOR B-12 NF E 49-053, US MIL C-4109
- Advantage of one hand operation.
- High performance valve with increased flow rate and minimised pressure loss.
- Corrosion resistant.

Technische Daten und Vorteile

- Stecknippel gemäß ISO 6150-B-12, AFNOR B-12 NF E 49-053, US MIL C-4109
- Ventil mit hohem Durchfluss und geringem Druckverlust.
- Vorteil durch Einhandbedienung.
- Korrosionsbeständig.

Material of Brass Coupler

Material für die Messingversion

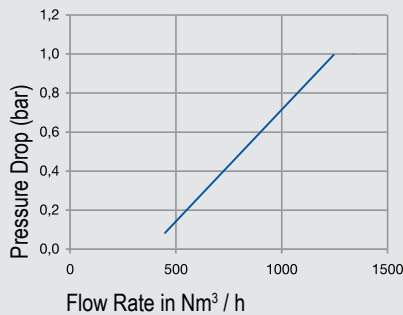
Socket body Kupplungsgrundkörper	Brass - Messing
Sleeve - Hülse	Brass - Messing
Springs - Federn	Stainless Steel - Edelstahl
Balls - Kugeln	Stainless Steel - Edelstahl

Plug - Nippel	Brass - Messing
---------------	-----------------

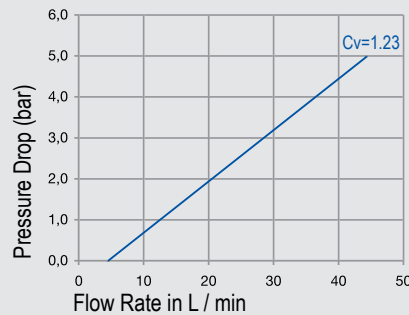


Flow Rate vs Pressure Drop Graph

Air / Luft



Water / Wasser



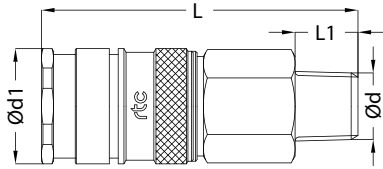
023
rtc TYPE

rtc TYPE 023

Male thread socket / Kupplung mit Aussengewinde



Sockets / Kupplungen



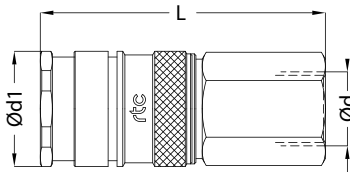
Size / Größe	Order No / Bestellnr. With valve / mit Ventil	Order No / Bestellnr. Without valve / ohne Ventil	Ød	Ød1	L	L1	HEX.
5.5	023 SRO 10	023 SRF 10	BSPT 1/8	22	57	9	19
	023 SRO 13	023 SRF 13	BSPT 1/4	22	60	12	19
	023 SRO 17	023 SRF 17	BSPT 3/8	22	59	12	19
	023 SRO 21	023 SRF 21	BSPT 1/2	22	57	17	22
	023 SMO 1415	023 SMF 1415	M14x1.5	22	58	10	19
	023 SMO 1615	023 SMF 1615	M16x1.5	22	58	11	19
	023 SMO 1815	023 SMF 1815	M18x1.5	22	58	11	19

rtc TYPE 023

Female thread socket / Kupplung mit Innengewinde



Sockets / Kupplungen



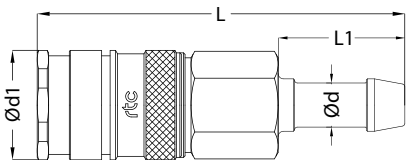
Size / Größe	Order No / Bestellnr. With valve / mit Ventil	Order No / Bestellnr. Without valve / ohne Ventil	Ød	Ød1	L	L1	HEX.
5.5	023 SFO 10	023 SFF 10	BSP 1/8	22	55	9	19
	023 SFO 13	023 SFF 13	BSP 1/4	22	55	9	19
	023 SFO 17	023 SFF 17	BSP 3/8	22	54	9	19
	023 SFO 21	023 SFF 21	BSP 1/2	22	57	12	24

rtc TYPE 023

Standard hose tail socket / Kupplung mit gerader Standard - Schlauchtülle



Sockets / Kupplungen



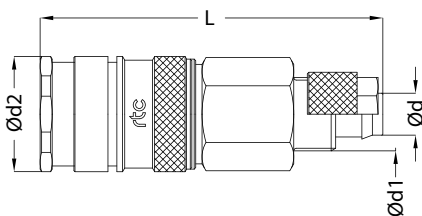
Size / Größe	Order No / Bestellnr. With valve / mit Ventil	Order No / Bestellnr. Without valve / ohne Ventil	Ød	Ød1	L	L1	HEX.
5.5	023 SHO 06	023 SHF 06	6 mm	22	70.5	22.5	19
	023 SHO 08	023 SHF 08	8 mm	22	70.5	22.5	19
	023 SHO 09	023 SHF 09	9 mm	22	70.5	22.5	19
	023 SHO 10	023 SHF 10	10 mm	22	70.5	22.5	19
	023 SHO 13	023 SHF 13	13 mm	22	70.5	22.5	19

rtc TYPE 023

Socket with plastic hose connection / Kupplung mit Kunststoffschlauch

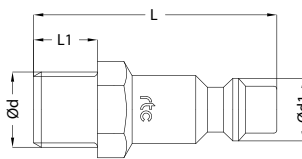


Sockets / Kupplungen



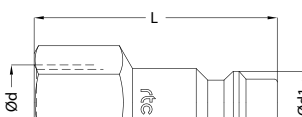
Size / Größe	Order No / Bestellnr. With valve / mit Ventil	Order No / Bestellnr. Without valve / ohne Ventil	Ød	Ød1	Ød2	L	HEX.
5.5	023 SVO 0608	023 SVF 0608	6x8 mm	M12x1	16	61	19
	023 SVO 0810	023 SVF 0810	8x10 mm	M16x1	16	65	19

Male thread plug / Nippel mit Aussengewinde TYPE 023 **rtc**

Plugs / Nippel	Size / Größe	Order No / Bestellnr. Without valve / ohne Ventil	Ød	Ød1	L	L1	HEX.
	5.5	023 PMF 10	BSP 1/8	8	39.5	9	14
		023 PMF 13	BSP 1/4	8	42.5	12	14
		023 PMF 17	BSP 3/8	8	45.5	12	17
		023 PMF 21	BSP 1/2	8	51.5	17	22
		023 PRF 10	BSPT 1/8	8	36.5	8	14
		023 PRF 13	BSPT 1/4	8	40.5	11	14
		023 PRF 17	BSPT 3/8	8	42	11	19
		023 PRF 21	BSPT 1/2	8	47.5	13	22

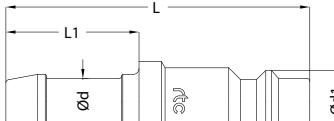
Brass / Messing Kindly add "MS"
at the end of the order no
Example code: 023 PMF 10 MS

Female thread plug / Nippel mit Innengewinde TYPE 023 **rtc**

Plugs / Nippel	Size / Größe	Order No / Bestellnr. Without valve / ohne Ventil	Ød	Ød1	L	L1	HEX.
	5.5	023 PFF 10	BSP 1/8	8	37.5	9	13
		023 PFF 13	BSP 1/4	8	40.5	12	17
		023 PFF 17	BSP 3/8	8	41.5	12	19
		023 PFF 21	BSP 1/2	8	46	14	24

Brass / Messing Kindly add "MS"
at the end of the order no
Example code: 023 PFF 10 MS

Standard hose tail plug / Nippel mit gerader Standard - Schlauchtülle TYPE 023 **rtc**

Plugs / Nippel	Size / Größe	Order No / Bestellnr. Without valve / ohne Ventil	Ød	Ød1	L	L1
	5.5	023 PHF 06	6 mm	8	49	23
		023 PHF 08	8 mm	8	49	23
		023 PHF 09	9 mm	8	49	23
		023 PHF 10	10 mm	8	49	23
		023 PHF 13	13 mm	8	49	23

Brass / Messing Kindly add "MS"
at the end of the order no
Example code: 023 PHF 06 MS



rtc[®]

COUPLING TECHNOLOGY



025

rtc TYPE



DN 7.8 mm Pneumatic Coupling

TYPE 025



Compatible - Kompatibilität

rtc 463.08
 rtc 026
 Rectus 25KA, 26KA
 Cejn 320
 Tema 1600

Temperature Range - Temperaturbereich

Nitrile (N) -20°C + 100°C (- 4°F + 212°F)
 FPM (V) -20°C + 180°C (- 4°F + 356°F)
 EPDM (Ethylene Propylene) -40°C + 150°C (- 40°F + 302°F)

Working Pressure - Betriebsdruck

35 Bar (510 PSI)

Flow size - Nennweite

rtc type 025 7.8 mm

Standard version - Standardversion

Seals - Dichtung : Nitrile (N)

Material of Standard Coupler

Material für die Standardversion

Socket body - Kupplungsgrundkörper	Brass Nickel Plated - Messing vernickelt
Sleeve - Hülse	Steel Nickel Plated - Stahl vernickelt
Springs - Federn	Stainless Steel - Edelstahl
Balls - Kugeln	Stainless Steel - Edelstahl
Plug - Nippel	Steel zinc-nickel plated - Stahl Zink-Nickel beschichtet

Technical Specifications & Advantages

- Advantage of one hand operation.
- High performance valve with increased flow rate and minimised pressure loss.
- Corrosion resistant.

Technische Daten und Vorteile

- Vorteil durch Einhandbedienung.
- Ventil mit hohem Durchfluss und geringem Druckverlust.
- Korrosionsbeständig

Material of Brass Coupler

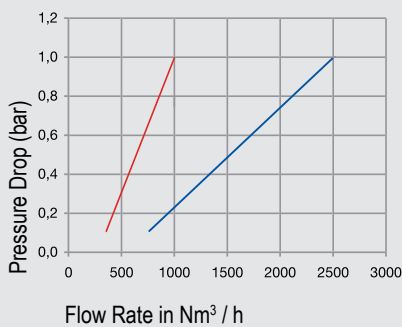
Material für die Messingversion

Socket body	Brass - Messing
Kupplungsgrundkörper	Brass - Messing
Sleeve - Hülse	Stainless Steel - Edelstahl
Springs - Federn	Stainless Steel - Edelstahl
Balls - Kugeln	Stainless Steel - Edelstahl
Plug - Nippel	Brass - Messing

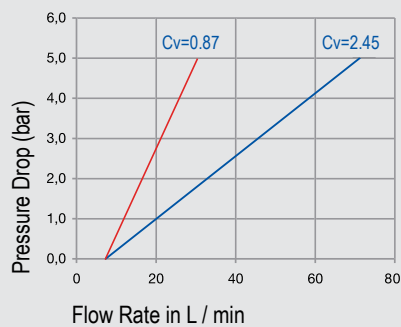


Flow Rate vs Pressure Drop Graph

Air / Luft




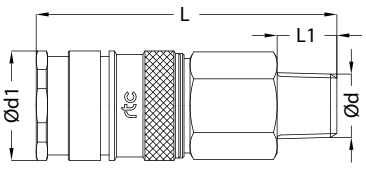


Water / Wasser




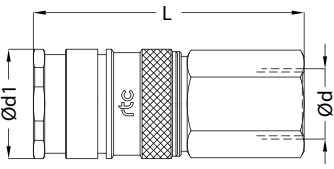


025
rtc TYPE




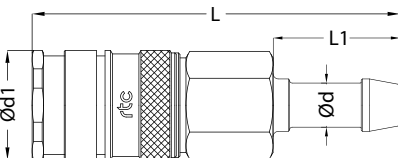
rtc TYPE 025 Male thread socket / Kupplung mit Aussengewinde

Sockets / Kupplungen	Size / Größe	Order No / Bestellnr. 	Order No / Bestellnr. 	Order No / Bestellnr. 	Ød	Ød1	L	L1	HEX.
	7.8	025 SRB 10	025 SRO 10	025 SRF 10	BSPT 1/8	22	57	9	19
		025 SRB 13	025 SRO 13	025 SRF 13	BSPT 1/4	22	60	12	19
		025 SRB 17	025 SRO 17	025 SRF 17	BSPT 3/8	22	59	12	19
		025 SRB 21	025 SRO 21	025 SRF 21	BSPT 1/2	22	57	17	22
		025 STB 13	025 STO 13	025 STF 13	NPT 1/4	22	60	12	19
		025 STB 17	025 STO 17	025 STF 17	NPT 3/8	22	59	12	19
		025 STB 21	025 STO 21	025 STF 21	NPT 1/2	22	57	17	22
		025 SMB 13	025 SMO 13	025 SMF 13	BSP 1/4	22	57	9	19
		025 SMB 17	025 SMO 17	025 SMF 17	BSP 3/8	22	57	10	19
		025 SMB 21	025 SMO 21	025 SMF 21	BSP 1/2	22	52	12	22
		025 SMB 1415	025 SMO 1415	025 SMF 1415	M14x1.5	22	58	10	19
		025 SMB 1615	025 SMO 1615	025 SMF 1615	M16x1.5	22	58	11	19
		025 SMB 1815	025 SMO 1815	025 SMF 1815	M18x1.5	22	58	11	19




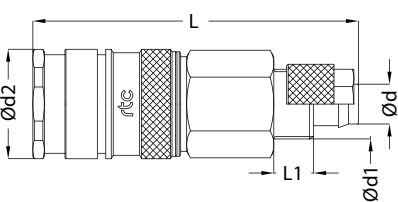
rtc TYPE 025 Female thread socket / Kupplung mit Innengewinde

Sockets / Kupplungen	Size / Größe	Order No / Bestellnr. 	Order No / Bestellnr. 	Order No / Bestellnr. 	Ød	Ød1	L	HEX.
	7.8	025 SFB 10	025 SFO 10	025 SFF 10	BSP 1/8	22	55	19
		025 SFB 13	025 SFO 13	025 SFF 13	BSP 1/4	22	55	19
		025 SFB 17	025 SFO 17	025 SFF 17	BSP 3/8	22	54	19
		025 SFB 21	025 SFO 21	025 SFF 21	BSP 1/2	22	57	24
		025 SNB 13	025 SNO 13	025 SNF 13	NPT 1/4	22	58	19
		025 SNB 17	025 SNO 17	025 SNF 17	NPT 3/8	22	58	19
		025 SNB 21	025 SNO 21	025 SNF 21	NPT 1/2	22	62	24




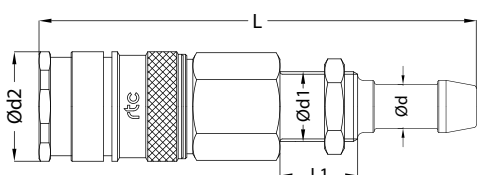
rtc TYPE 025 Standard hose tail socket / Kupplung mit gerader Standard - Schlauchtülle

Sockets / Kupplungen	Size / Größe	Order No / Bestellnr. 	Order No / Bestellnr. 	Order No / Bestellnr. 	Ød	Ød1	L	L1
	7.8	025 SHB 06	025 SHO 06	025 SHF 06	6 mm	22	71	23
		025 SHB 08	025 SHO 08	025 SHF 08	8 mm	22	71	23
		025 SHB 09	025 SHO 09	025 SHF 09	9 mm	22	71	23
		025 SHB 10	025 SHO 10	025 SHF 10	10 mm	22	71	23
		025 SHB 13	025 SHO 13	025 SHF 13	13 mm	22	71	23

rtc TYPE 025 Socket with plastic hose connection / Kupplung mit Kunststoffschlauch

Sockets / Kupplungen	Size / Größe	Order No / Bestellnr. 	Order No / Bestellnr. 	Order No / Bestellnr. 	Ød	Ød1	Ød2	L
	7.8	025 SVB 0406	025 SVO 0406	025 SVF 0406	4x6 mm	M10x1	22	61
		025 SVB 0608	025 SVO 0608	025 SVF 0608	6x8 mm	M12x1	22	61
		025 SVB 0810	025 SVO 0810	025 SVF 0810	8x10 mm	M16x1	22	65
		025 SVB 0912	025 SVO 0912	025 SVF 0912	9x12 mm	M16x1	22	67

rtc TYPE 025 Panel Mount Hose Barb / Schottverschraubung für Schlauchanschluss

Sockets / Kupplungen	Size / Größe	Order No / Bestellnr. 	Order No / Bestellnr. 	Order No / Bestellnr. 	Ød	Ød1	Ød2	L	L1	HEX.
	7.8	025 SHBP 06	025 SHOP 06	025 SHFP 06	6	M12x1	22	74	10	19
		025 SHBP 08	025 SHOP 08	025 SHFP 08	8	M12x1	22	78	14	19
		025 SHBP 10	025 SHOP 10	025 SHFP 10	10	BSP 1/4	22	82	14	19



Male thread plug / Nippel mit Aussengewinde

TYPE 025 **rtc**

Plugs / Nippel	Size / Größe	Order No / Bestellnr. →←→	Ød	Ød1	L	L1	HEX.
	7.8	025 PRF 10	BSPT 1/8	12	34	9	14
		025 PRF 13	BSPT 1/4	12	38	12	14
		025 PRF 17	BSPT 3/8	12	40	12	17
		025 PRF 21	BSPT 1/2	12	47	17	22
		025 PTF 10	NPT 1/8	12	34	9	14
		025 PTF 13	NPT 1/4	12	38	12	14
		025 PTF 17	NPT 3/8	12	40	12	17
		025 PTF 21	NPT 1/2	12	47	17	22
		025 PMF 10	BSP 1/8	12	34	8	14
		025 PMF 13	BSP 1/4	12	37	11	14
		025 PMF 17	BSP 3/8	12	39	11	19
		025 PMF 21	BSP 1/2	12	43	13	22
		025 PMF 1415	M14x1.5	12	38	10	17
		025 PMF 1615	M16x1.5	12	39	11	19
025 PMF 1815	M18x1.5	12	39	11	20		



Female thread plug / Nippel mit Innengewinde

TYPE 025 **rtc**

Plugs / Nippel	Size / Größe	Order No / Bestellnr. →←→	Ød	Ød1	L	HEX.
	7.8	025 PFF 10	BSP 1/8	12	33	14
		025 PFF 13	BSP 1/4	12	38	17
		025 PFF 17	BSP 3/8	12	39	19
		025 PFF 21	BSP 1/2	12	43	24
		025 PNF 10	NPT 1/8	12	33	14
		025 PNF 13	NPT 1/4	12	38	17
		025 PNF 17	NPT 3/8	12	40	19
		025 PNF 21	NPT 1/2	12	43	24
		025 PFF 1415	M14x1.5	12	38	17
		025 PFF 1615	M16x1.5	12	39	19
		025 PFF 1815	M18x1.5	12	40	22



Standard hose tail plug / Nippel mit gerader Standard - Schlauchtülle

TYPE 025 **rtc**

Plugs / Nippel	Size / Größe	Order No / Bestellnr. →←→	Ød	Ød1	L	L1
	7.8	025 PHF 06	6 mm	12	50	23
		025 PHF 08	8 mm	12	50	23
		025 PHF 09	9 mm	12	50	23
		025 PHF 10	10 mm	12	50	23
		025 PHF 13	13 mm	12	50	23



Plug with plastic hose connection / Nippel mit Kunststoffschlauch

TYPE 025 **rtc**

Plugs / Nippel	Size / Größe	Order No / Bestellnr. →←→	Ød	Ød1	Ød2	L
	7.8	025 PVF 0406	4x6 mm	M10x1	12	37
		025 PVF 0608	6x8 mm	M12x1	12	37
		025 PVF 0810	8x10 mm	M14x1	12	48
		025 PVF 0912	9x12 mm	M16x1	12	48



Panel Mount Hose Barb / Schottverschraubung für Schlauchanschluss


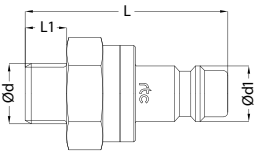
TYPE 025 **rtc**

Plugs / Nippel	Size / Größe	Order No / Bestellnr. →←→	Ød	Ød1	Ød2	L	L1	HEX.
	7.8	025 PHFP 06	6 mm	M12x1	12	57	17	14
		025 PHFP 08	8 mm	M12x1	12	57	17	14
		025 PHFP 10	10 mm	M14x1	12	57	17	17

rtc TYPE 025

Male thread plug with valve / Nippel mit Aussengewinde mit Ventil


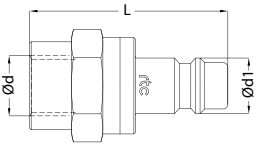


Plugs / Nippel	Size / Größe	Order No / Bestellnr. 	Ød	Ød1	L	L1	HEX.
	7.8	025 PMB 10	BSP 1/8	12	43	8	21
		025 PMB 13	BSP 1/4	12	44	9	21
		025 PMB 17	BSP 3/8	12	44	9	21
		025 PMB 21	BSP 1/2	12	45	12	22
		025 PMB 1415	M14x1.5	12	45	10	21
		025 PMB 1615	M16x1.5	12	45	10	21
		025 PMB 1815	M18x1.5	12	45	10	21

rtc TYPE 025

Female thread plug with valve / Nippel mit Innengewinde mit Ventil


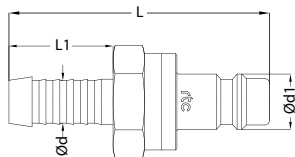


Plugs / Nippel	Size / Größe	Order No / Bestellnr. 	Ød	Ød1	L	HEX.
	7.8	025 PFB 10	BSP 1/8	12	42	21
		025 PFB 13	BSP 1/4	12	43	21
		025 PFB 17	BSP 3/8	12	43	21
		025 PFB 21	BSP 1/2	12	46	24
		025 PFB 1415	M14x1.5	12	45	21
		025 PFB 1615	M16x1.5	12	45	21
		025 PFB 1815	M18x1.5	12	45	22

rtc TYPE 025

Standard hose tail plug with valve / Nippel mit gerader Standard - Schlauchtülle mit Ventil


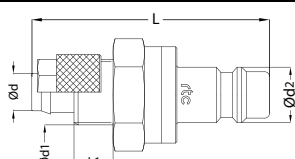


Plugs / Nippel	Size / Größe	Order No / Bestellnr. 	Ød	Ød1	L	L1
	7.8	025 PHB 04	4 mm	12	57	23
		025 PHB 06	6 mm	12	57	23
		025 PHB 08	8 mm	12	57	23
		025 PHB 09	9 mm	12	57	23
		025 PHB 10	10 mm	12	57	23
		025 PHB 13	13 mm	12	57	23

rtc TYPE 025

Plastic hose connection plug with valve / Nippel mit gerader Kunststoffschlauch mit Ventil


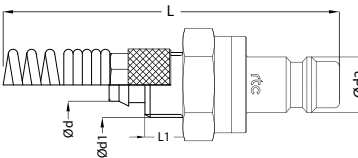


Plugs / Nippel	Size / Größe	Order No / Bestellnr. 	Ød	Ød1	Ød2	L
	7.8	025 PVB 0406	4x6 mm	M10x1	12	48
		025 PVB 0608	6x8 mm	M12x1	12	48
		025 PVB 0810	8x10 mm	M14x1	12	52
		025 PVB 0912	9x12 mm	M16x1	12	52

rtc TYPE 025

Plastic hose connection plug with spring guard with valve / Nippel Knickschutzfeder mit Ventil


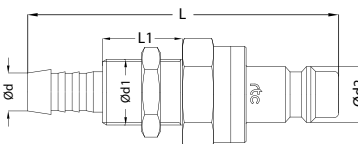


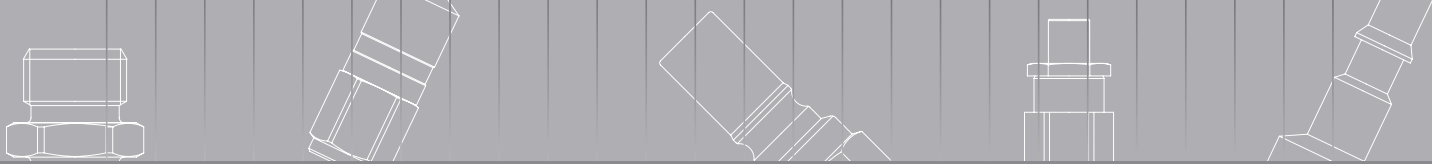
Plugs / Nippel	Size / Größe	Order No / Bestellnr. 	Ød	Ød1	Ød2	L
	7.8	025 PVBG 0406	4x6 mm	M10x1	12	110
		025 PVBG 0608	6x8 mm	M12x1	12	120
		025 PVBG 0810	8x10 mm	M14x1	12	130
		025 PVBG 0912	9x12 mm	M16x1	12	140

rtc TYPE 025

Panel mount hose barb plug with valve / Nippel Schottverschraubung für Schlauchanschluss mit Ventil



Plugs / Nippel	Size / Größe	Order No / Bestellnr. 	Ød	Ød1	Ød2	L	L1	HEX.
	7.8	025 PHBP 06	6 mm	M10x1	12	61	10	21
		025 PHBP 08	8 mm	M12x1	12	65	14	21
		025 PHBP 10	10 mm	M14x1	12	72	14	21



DN 7.8 mm Coded Pneumatic and Water Coupling **TYPE 025**



Compatible - Kompatibilität

Rectus 25KA
 Rectus 25KB (Double Shut-off)

Temperature Range - Temperaturbereich

Nitrile (N) -20°C + 100°C (-4°F + 212°F)
 FPM (V) -20°C + 180°C (-4°F + 356°F)
 EPDM (Ethylene Propylene) -40°C + 150°C (-40°F + 302°F)

Working Pressure - Betriebsdruck

35 Bar (510 PSI)

Flow size - Nennweite

rtc type 025 7.8 mm

Standard version - Standardversion

Seals - Dichtung : Nitrile (N)

Material of Standard Coupler

Material für die Standardversion

Socket body	Brass nickel plated -
Kupplungsgrundkörper	Messing vernickelt
Sleeve	Brass nickel plated -
Hülse	Messing vernickelt
Springs - Federn	Stainless Steel - Edelstahl
Balls - Kugeln	Stainless Steel - Edelstahl

Plug	Brass nickel plated -
Nippel	Messing vernickelt

Coded version: Kindly add the no of edges of the shape at the beginning of the Ød. Shown below. Additives shown in red.

Kodierte Version: Bitte fügen Sie das Kürzel der Form in die Artikelnummer hinzu. Zusatzoptionen sind Rot angezeigt

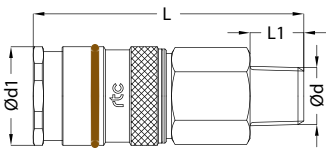
- Example Code:** 025 PFF 013 - Round Coded
 025 PFF 213 - 2 Face Coded
 025 PFF 313 - Triangle Coded
 025 PFF 513 - Pentagonal Coded
 025 PFF 613 - Hexagonal Coded
 025 PFF 713 - Hexagonal Coded
 025 PFF 813 - Octagonal Coded



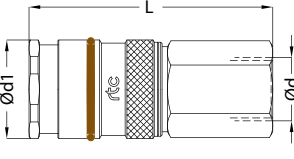
rtc TYPE 025 CODE EXPLANATIONS

<p>"0" Code</p>  <p>Example: 025 SMO 013</p>	<p>"2" Code</p>  <p>Example: 025 SMO 213</p>	<p>"3" Code</p>  <p>Example: 025 SMO 313</p>	<p>"5" Code</p>  <p>Example: 025 SMO 513</p>	<p>"6" Code</p>  <p>Example: 025 SMO 613</p>	<p>"7" Code</p>  <p>Example: 025 SMO 713</p>	<p>"8" Code</p>  <p>Example: 025 SMO 813</p>
--	--	--	--	---	--	--

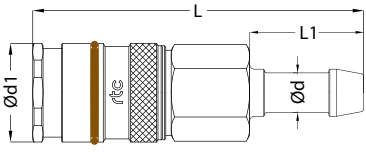
rtc TYPE 025 Male thread socket / Kupplung mit Aussengewinde

Sockets / Kupplungen	Size / Größe	Order No / Bestellnr.	Order No / Bestellnr.	Order No / Bestellnr.	Ød	Ød1	L	L1	HEX.
	7.8	025 SRB 313	025 SRO 313	025 SRF 313	BSPT 1/4	22	60	12	19
		025 SRB 317	025 SRO 317	025 SRF 317	BSPT 3/8	22	59	12	19
		025 SRB 321	025 SRO 321	025 SRF 321	BSPT 1/2	22	57	17	22
		025 SMB 313	025 SMO 313	025 SMF 313	BSP 1/4	22	57	9	19
		025 SMB 317	025 SMO 317	025 SMF 317	BSP 3/8	22	57	10	19
		025 SMB 321	025 SMO 321	025 SMF 321	BSP 1/2	22	52	12	22

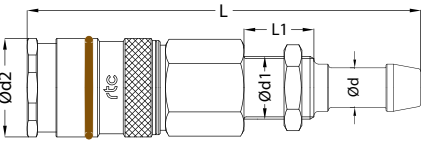
rtc TYPE 025 Female thread socket / Kupplung mit Innengewinde

Sockets / Kupplungen	Size / Größe	Order No / Bestellnr.	Order No / Bestellnr.	Order No / Bestellnr.	Ød	Ød1	L	HEX.
	7.8	025 SFB 313	025 SFO 313	025 SFF 313	BSP 1/4	22	55	19
		025 SFB 317	025 SFO 317	025 SFF 317	BSP 3/8	22	54	19
		025 SFB 321	025 SFO 321	025 SFF 321	BSP 1/2	22	57	24
		025 SNB 313	025 SNO 313	025 SNF 313	NPT 1/4	22	58	19
		025 SNB 317	025 SNO 317	025 SNF 317	NPT 3/8	22	58	19
		025 SNB 321	025 SNO 321	025 SNF 321	NPT 1/2	22	62	24

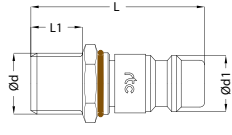
rtc TYPE 025 Standard hose tail socket / Kupplung mit gerader Standard - Schlauchtülle

Sockets / Kupplungen	Size / Größe	Order No / Bestellnr.	Order No / Bestellnr.	Order No / Bestellnr.	Ød	Ød1	L	L1
	7.8	025 SHB 306	025 SHO 306	025 SHF 306	6 mm	22	71	23
		025 SHB 308	025 SHO 308	025 SHF 308	8 mm	22	71	23
		025 SHB 309	025 SHO 309	025 SHF 309	9 mm	22	71	23
		025 SHB 310	025 SHO 310	025 SHF 310	10 mm	22	71	23
		025 SHB 313	025 SHO 313	025 SHF 313	13 mm	22	71	23

rtc TYPE 025 Panel Mount Hose Barb / Schottverschraubung für Schlauchanschluss

Sockets / Kupplungen	Size / Größe	Order No / Bestellnr.	Order No / Bestellnr.	Order No / Bestellnr.	Ød	Ød1	Ød2	L	L1	HEX.
	7.8	025 SHBP 306	025 SHOP 306	025 SHFP 306	6	M12x1	22	74	10	19
		025 SHBP 308	025 SHOP 308	025 SHFP 308	8	M12x1	22	78	14	19
		025 SHBP 310	025 SHOP 310	025 SHFP 310	10	BSP 1/4	22	82	14	19

rtc TYPE 025 Male thread plug / Nippel mit Aussengewinde

Plugs / Nippel	Size / Größe	Order No / Bestellnr.	Ød	Ød1	L	L1	HEX.
	7.8	025 PRF 313	BSPT 1/4	12	38	12	14
		025 PRF 317	BSPT 3/8	12	40	12	17
		025 PRF 321	BSPT 1/2	12	47	17	22
		025 PTF 313	NPT 1/4	12	38	12	14
		025 PTF 317	NPT 3/8	12	40	12	17
		025 PTF 321	NPT 1/2	12	47	17	22
		025 PMF 313	BSP 1/4	12	37	11	14
		025 PMF 317	BSP 3/8	12	39	11	19
		025 PMF 321	BSP 1/2	12	43	13	22

Female thread plug / Nippel mit Innengewinde TYPE 025

Plugs / Nippel	Size / Größe	Order No / Bestellnr.	Ød	Ød1	L	HEX.
	7.8	025 PFF 313	BSP 1/4	12	38	17
		025 PFF 317	BSP 3/8	12	39	19
		025 PFF 321	BSP 1/2	12	43	24
		025 PNF 313	NPT 1/4	12	38	17
		025 PNF 317	NPT 3/8	12	40	19
		025 PNF 321	NPT 1/2	12	43	24

Standard hose tail plug / Nippel mit gerader Standard - Schlauchtülle TYPE 025

Plugs / Nippel	Size / Größe	Order No / Bestellnr.	Ød	Ød1	L	L1
	7.8	025 PHF 306	6 mm	12	50	23
		025 PHF 308	8 mm	12	50	23
		025 PHF 309	9 mm	12	50	23
		025 PHF 310	10 mm	12	50	23
		025 PHF 313	13 mm	12	50	23

Panel Mount Hose Barb / Schottverschraubung für Schlauchanschluss TYPE 025

Plugs / Nippel	Size / Größe	Order No / Bestellnr.	Ød	Ød1	Ød2	L	L1	HEX.
	7.8	025 PHFP 306	6 mm	M12x1	12	57	17	14
		025 PHFP 308	8 mm	M12x1	12	57	17	14
		025 PHFP 310	10 mm	M14x1	12	57	17	17

Male thread plug with valve / Nippel mit Aussengewinde mit Ventil TYPE 025

Plugs / Nippel	Size / Größe	Order No / Bestellnr.	Ød	Ød1	L	L1	HEX.
	7.8	025 PMB 313	BSP 1/4	12	44	9	21
		025 PMB 317	BSP 3/8	12	44	9	21
		025 PMB 321	BSP 1/2	12	45	12	22

Female thread plug with valve / Nippel mit Innengewinde mit Ventil TYPE 025

Plugs / Nippel	Size / Größe	Order No / Bestellnr.	Ød	Ød1	L	HEX.
	7.8	025 PFB 313	BSP 1/4	12	43	21
		025 PFB 317	BSP 3/8	12	43	21
		025 PFB 321	BSP 1/2	12	46	24

Standard hose tail plug with valve / Nippel mit gerader Standard - Schlauchtülle mit Ventil TYPE 025

Plugs / Nippel	Size / Größe	Order No / Bestellnr.	Ød	Ød1	L	L1
	7.8	025 PHB 304	4 mm	12	57	23
		025 PHB 306	6 mm	12	57	23
		025 PHB 308	8 mm	12	57	23
		025 PHB 309	9 mm	12	57	23
		025 PHB 310	10 mm	12	57	23
		025 PHB 313	13 mm	12	57	23

Panel mount hose barb plug with valve / Nippel Schottverschraubung für Schlauchanschluss mit Ventil TYPE 025

Plugs / Nippel	Size / Größe	Order No / Bestellnr.	Ød	Ød1	Ød2	L	L1	HEX.
	7.8	025 PHBP 306	6 mm	M10x1	12	61	10	21
		025 PHBP 308	8 mm	M12x1	12	65	14	21
		025 PHBP 310	10 mm	M14x1	12	72	14	21



rtc[®]

COUPLING TECHNOLOGY



026

rtc TYPE



DN 7.2 mm Pneumatic Coupling

TYPE 026



Compatible - Kompatibilität

rtc 463.08
rtc 025
Rectus 25KA, 26KA
Cejn 320
Tema 1600

Temperature Range - Temperaturbereich

Nitrile (N) -20°C + 100°C (- 4°F + 212°F)
FPM (V) -20°C + 180°C (- 4°F + 356°F)
EPDM (Ethylene Propylene) -40°C + 150°C (- 40°F + 302°F)

Working Pressure - Betriebsdruck

35 Bar (510 PSI)

Flow size - Nennweite

rtc type 026 7.2 mm

Standard version - Standardversion

Seals - Dichtung : Nitrile (N)

Material of Standard Coupler

Material für die Standardversion

Socket body - Kupplungsgrundkörper	Brass - Messing
Sleeve - Hülse	Brass - Messing
Springs - Federn	Stainless Steel - Edelstahl
Locking Ring - Sprengring	Stainless Steel - Edelstahl
Balls - Kugeln	Stainless Steel - Edelstahl
Plug - Nippel	Brass - Messing

Technical Specifications & Advantages

- Standard pneumatic coupler in the industry.
- Advantage of one hand useage.
- Corrosion resistant.

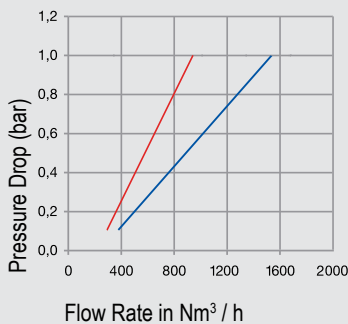
Technische Daten und Vorteile

- Standard Pneumatik Kupplung für die Industrie.
- Vorteil durch Einhandbedienung.
- Korrosionsbeständig

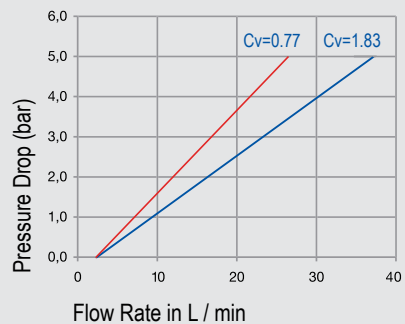


Flow Rate vs Pressure Drop Graph

Air / Luft



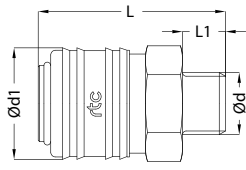
Water / Wasser



026
rtc TYPE

rtc TYPE 026 Male thread socket / Kupplung mit Aussengewinde

Sockets / Kupplungen

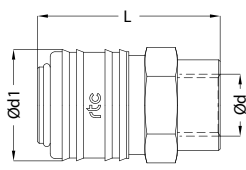


*G1/2 male threaded socket with inner G1/4 female thread Order No: 026 SMO 21-F13

Size / Größe	Order No / Bestellnr.	Order No / Bestellnr.	Order No / Bestellnr.	Ød	Ød1	L	L1	HEX.
7.2	026 SMB 10	026 SMO 10	026 SMF 10	BSP 1/8	23	39	8	21
	026 SMB 13	026 SMO 13	026 SMF 13	BSP 1/4	23	40	9	21
	026 SMB 17	026 SMO 17	026 SMF 17	BSP 3/8	23	41	9	21
	026 SMB 21	026 SMO 21	026 SMF 21	BSP 1/2	23	41	12	22
	026 SMB 21-F13*	026 SMO 21-F13*	026 SMF 21-F13*	BSP 1/2-1/4	23	38	10	21
	026 SMB 1415	026 SMO 1415	026 SMF 1415	M14x1.5	23	41	10	21
	026 SMB 1615	026 SMO 1615	026 SMF 1615	M16x1.5	23	41	10	21
	026 SMB 1815	026 SMO 1815	026 SMF 1815	M18x1.5	23	41	10	21

rtc TYPE 026 Female thread socket / Kupplung mit Innengewinde

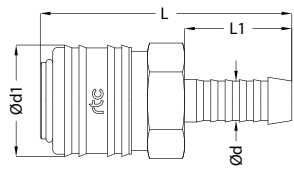
Sockets / Kupplungen



Size / Größe	Order No / Bestellnr.	Order No / Bestellnr.	Order No / Bestellnr.	Ød	Ød1	L	HEX.
7.2	026 SFB 10	026 SFO 10	026 SFF 10	BSP 1/8	23	37	21
	026 SFB 13	026 SFO 13	026 SFF 13	BSP 1/4	23	39	21
	026 SFB 17	026 SFO 17	026 SFF 17	BSP 3/8	23	39	21
	026 SFB 21	026 SFO 21	026 SFF 21	BSP 1/2	23	42	24
	026 SFB 1415	026 SFO 1415	026 SFF 1415	M14x1.5	23	40	21
	026 SFB 1615	026 SFO 1615	026 SFF 1615	M16x1.5	23	40	21
	026 SFB 1815	026 SFO 1815	026 SFF 1815	M18x1.5	23	40	22

rtc TYPE 026 Standard hose tail socket / Kupplung mit gerader Standard - Schlauchtülle

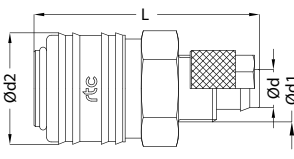
Sockets / Kupplungen



Size / Größe	Order No / Bestellnr.	Order No / Bestellnr.	Order No / Bestellnr.	Ød	Ød1	L	L1
7.2	026 SHB 06	026 SHO 06	026 SHF 06	6 mm	23	56	23
	026 SHB 08	026 SHO 08	026 SHF 08	8 mm	23	56	23
	026 SHB 09	026 SHO 09	026 SHF 09	9 mm	23	56	23
	026 SHB 10	026 SHO 10	026 SHF 10	10 mm	23	56	23
	026 SHB 13	026 SHO 13	026 SHF 13	13 mm	23	56	23

rtc TYPE 026 Socket with plastic hose connection / Kupplung mit Kunststoffschlauch

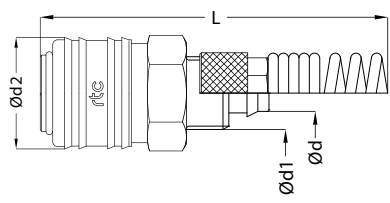
Sockets / Kupplungen



Size / Größe	Order No / Bestellnr.	Order No / Bestellnr.	Order No / Bestellnr.	Ød	Ød1	Ød2	L
7.2	026 SVB 0406	026 SVO 0406	026 SVF 0406	4x6 mm	M10x1	23	44
	026 SVB 0608	026 SVO 0608	026 SVF 0608	6x8 mm	M12x1	23	44
	026 SVB 0810	026 SVO 0810	026 SVF 0810	8x10 mm	M14x1	23	48
	026 SVB 0912	026 SVO 0912	026 SVF 0912	9x12 mm	M16x1	23	48

rtc TYPE 026 Plastic Hose Connection With Spring Guard / Knickschutzfeder

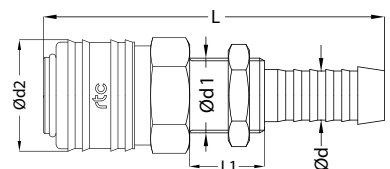
Sockets / Kupplungen



Size / Größe	Order No / Bestellnr.	Order No / Bestellnr.	Order No / Bestellnr.	Ød	Ød1	Ød2	L
7.2	026 SVBG 0608	026 SVOG 0608	026 SVFG 0608	6x8 mm	M10x1	23	132
	026 SVBG 0810	026 SVOG 0810	026 SVFG 0810	8x10 mm	M12x1	23	142
	026 SVBG 0912	026 SVOG 0912	026 SVFG 0912	9x12 mm	M16x1	23	152

rtc TYPE 026 Panel Mount Hose Barb / Schottverschraubung für Schlauchanschluss

Sockets / Kupplungen

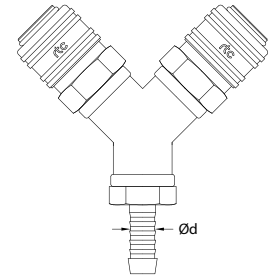
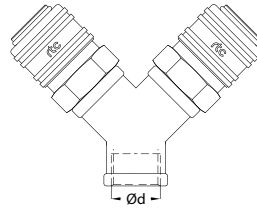
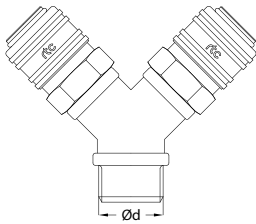


Size / Größe	Order No / Bestellnr.	Order No / Bestellnr.	Order No / Bestellnr.	Ød	Ød1	Ød2	L	L1	HEX.
7.2	026 SHBP 0610	026 SHOP 0610	026 SHFP 0610	6	M12x1	23	61	10	21
	026 SHBP 0812	026 SHOP 0812	026 SHFP 0812	8	M12x1	23	61	14	21
	026 SHBP 1012	026 SHOP 1012	026 SHFP 1012	10	BSP 1/4	23	67	14	21



Y Distributor / Y Verteiler

TYPE 026



Body Size Größe	Order No Bestellnr.	Ød
7.2	026 SMOY 17	BSP 3/8
7.2	026 SMOY 21	BSP 1/2

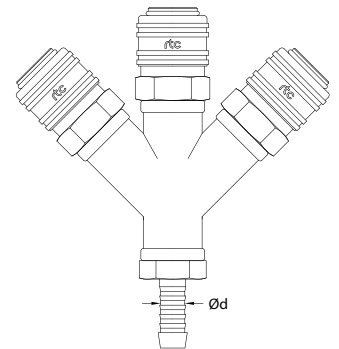
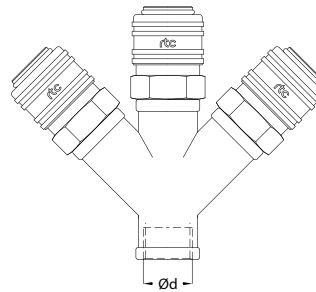
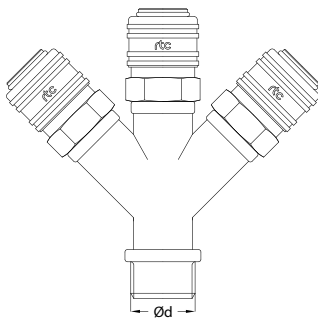
Body Size Größe	Order No Bestellnr.	Ød
7.2	026 SFOY 17	BSP 3/8
7.2	026 SFOY 21	BSP 1/2

Body Size Größe	Order No Bestellnr.	Ød
7.2	026 SHOY 10	Ø 10
7.2	026 SHOY 13	Ø 13



W Distributor / W Verteiler

TYPE 026



Body Size Größe	Order No Bestellnr.	Ød
7.2	026 SMOW 17	BSP 3/8
7.2	026 SMOW 21	BSP 1/2

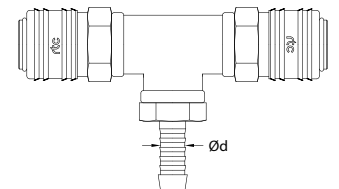
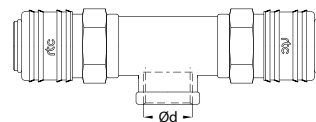
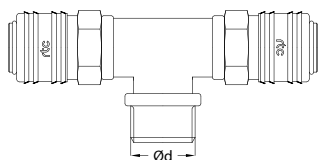
Body Size Größe	Order No Bestellnr.	Ød
7.2	026 SFOW 17	BSP 3/8
7.2	026 SFOW 21	BSP 1/2

Body Size Größe	Order No Bestellnr.	Ød
7.2	026 SHOW 10	Ø 10
7.2	026 SHOW 13	Ø 13



T Distributor / T Verteiler

TYPE 026



Body Size Größe	Order No Bestellnr.	Ød
7.2	026 SMOT 17	BSP 3/8
7.2	026 SMOT 21	BSP 1/2

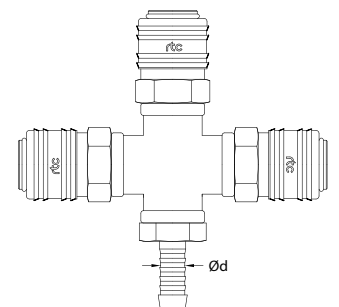
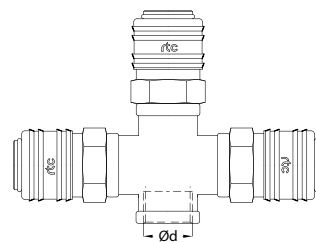
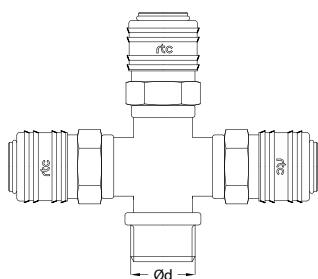
Body Size Größe	Order No Bestellnr.	Ød
7.2	026 SFOT 17	BSP 3/8
7.2	026 SFOT 21	BSP 1/2

Body Size Größe	Order No Bestellnr.	Ød
7.2	026 SHOT 10	Ø 10
7.2	026 SHOT 13	Ø 13



X Distributor / X Verteiler

TYPE 026



Body Size Größe	Order No Bestellnr.	Ød
7.2	026 SMOX 17	BSP 3/8
7.2	026 SMOX 21	BSP 1/2

Body Size Größe	Order No Bestellnr.	Ød
7.2	026 SFOX 17	BSP 3/8
7.2	026 SFOX 21	BSP 1/2

Body Size Größe	Order No Bestellnr.	Ød
7.2	026 SHOX 10	Ø 10
7.2	026 SHOX 13	Ø 13

rtc TYPE 026 Male thread plug / Nippel mit Aussengewinde

Plugs / Nippel	Size / Größe	Order No / Bestellnr. →←	Ød	Ød1	L	L1	HEX.
	7.8	026 PMF 10	BSP 1/8	12	32	8	14
		026 PMF 13	BSP 1/4	12	33	9	14
		026 PMF 17	BSP 3/8	12	33	9	19
		026 PMF 21	BSP 1/2	12	38	12	22
		026 PMF 1415	M14x1.5	12	35	10	17
		026 PMF 1615	M16x1.5	12	35	10	19
		026 PMF 1815	M18x1.5	12	35	10	22

rtc TYPE 026 Female thread plug / Nippel mit Innengewinde

Plugs / Nippel	Size / Größe	Order No / Bestellnr. →←	Ød	Ød1	L	HEX.
	7.8	026 PFF 10	BSP 1/8	12	30	14
		026 PFF 13	BSP 1/4	12	33	17
		026 PFF 17	BSP 3/8	12	33	19
		026 PFF 21	BSP 1/2	12	35	24
		026 PFF 1415	M14x1.5	12	33	17
		026 PFF 1615	M16x1.5	12	33	19
		026 PFF 1815	M18x1.5	12	35	22

rtc TYPE 026 Standard hose tail plug / Nippel mit gerader Standard - Schlauchtülle

Plugs / Nippel	Size / Größe	Order No / Bestellnr. →←	Ød	Ød1	L	L1
	7.8	026 PHF 04	4 mm	12	46	23
		026 PHF 06	6 mm	12	46	23
		026 PHF 08	8 mm	12	46	23
		026 PHF 09	9 mm	12	46	23
		026 PHF 10	10 mm	12	46	23
		026 PHF 13	13 mm	12	46	23

rtc TYPE 026 Socket with plastic hose connection / Kupplung mit Kunststoffschlauch

Plugs / Nippel	Size / Größe	Order No / Bestellnr. →←	Ød	Ød1	Ød2	L
	7.8	026 PVF 0406	4x6 mm	M10x1	12	34
		026 PVF 0608	6x8 mm	M12x1	12	34
		026 PVF 0810	8x10 mm	M14x1	12	42
		026 PVF 0912	9x12 mm	M16x1	12	42

rtc TYPE 026 Plug with plastic hose connection spring guard / Nippel mit Knickschutzfeder

Plugs / Nippel	Size / Größe	Order No / Bestellnr. →←	Ød	Ød1	Ød2	L
	7.8	026 PVFG 0406	4x6 mm	M10x1	12	110
		026 PVFG 0608	6x8 mm	M12x1	12	120
		026 PVFG 0810	8x10 mm	M14x1	12	130
		026 PVFG 0912	9x12 mm	M16x1	12	140

rtc TYPE 026 Panel Mount Hose Barb / Schottverschraubung für Schlauchanschluss

Plugs / Nippel	Size / Größe	Order No / Bestellnr. →←	Ød	Ød1	Ød2	L	L1	HEX.
	7.8	026 PHFP 06	6 mm	M12x1	12	57	17	14
		026 PHFP 08	8 mm	M12x1	12	57	17	14
		026 PHFP 10	10 mm	M14x1	12	57	17	17



Male thread plug with valve / Nippel mit Aussengewinde mit Ventil

TYPE 026 **rtc**

Plugs / Nippel	Size / Größe	Order No / Bestellnr. 	Ød	Ød1	L	L1	HEX.
	7.8	026 PMB 10	BSP 1/8	12	43	8	21
		026 PMB 13	BSP 1/4	12	44	9	21
		026 PMB 17	BSP 3/8	12	44	9	21
		026 PMB 21	BSP 1/2	12	45	12	22
		026 PMB 1415	M14x1.5	12	45	10	21
		026 PMB 1615	M16x1.5	12	45	10	21
		026 PMB 1815	M18x1.5	12	45	10	21



Female thread plug with valve / Nippel mit Innengewinde mit Ventil

TYPE 026 **rtc**

Plugs / Nippel	Size / Größe	Order No / Bestellnr. 	Ød	Ød1	L	HEX.
	7.8	026 PFB 10	BSP 1/8	12	42	21
		026 PFB 13	BSP 1/4	12	43	21
		026 PFB 17	BSP 3/8	12	43	21
		026 PFB 21	BSP 1/2	12	46	24
		026 PFB 1415	M14x1.5	12	45	21
		026 PFB 1615	M16x1.5	12	45	21
		026 PFB 1815	M18x1.5	12	45	22



Standard hose tail plug with valve / Nippel mit gerader Standard - Schlauchtülle mit Ventil

TYPE 026 **rtc**

Plugs / Nippel	Size / Größe	Order No / Bestellnr. 	Ød	Ød1	L	L1
	7.8	026 PHB 04	4 mm	12	57	23
		026 PHB 06	6 mm	12	57	23
		026 PHB 08	8 mm	12	57	23
		026 PHB 09	9 mm	12	57	23
		026 PHB 10	10 mm	12	57	23
		026 PHB 13	13 mm	12	57	23



Plastic hose connection plug with valve / Nippel mit gerader Kunststoffschlauch mit Ventil

TYPE 026 **rtc**

Plugs / Nippel	Size / Größe	Order No / Bestellnr. 	Ød	Ød1	Ød2	L
	7.8	026 PVB 0406	4x6 mm	M10x1	12	48
		026 PVB 0608	6x8 mm	M12x1	12	48
		026 PVB 0810	8x10 mm	M14x1	12	52
		026 PVB 0912	9x12 mm	M16x1	12	52



Plastic hose connection plug with spring guard with valve / Nippel Knickschutzfeder mit Ventil

TYPE 026 **rtc**

Plugs / Nippel	Size / Größe	Order No / Bestellnr. 	Ød	Ød1	Ød2	L
	7.8	026 PVBG 0406	4x6 mm	M10x1	12	110
		026 PVBG 0608	6x8 mm	M12x1	12	120
		026 PVBG 0810	8x10 mm	M14x1	12	130
		026 PVBG 0912	9x12 mm	M16x1	12	140



Panel mount hose barb plug with valve / Nippel Schottverschraubung für Schlauchanschluss mit Ventil

TYPE 026 **rtc**

Plugs / Nippel	Size / Größe	Order No / Bestellnr. 	Ød	Ød1	Ød2	L	L1	HEX.
	7.8	026 PHBP 06	6 mm	M10x1	12	61	10	21
		026 PHBP 08	8 mm	M12x1	12	65	14	21
		026 PHBP 10	10 mm	M14x1	12	72	14	21



rtc[®]

COUPLING TECHNOLOGY



027

rtc TYPE



DN 10.5 mm Pneumatic Coupling

TYPE 027



Compatible - Kompatibilität

Rectus 27KA, 41KA, 1700
Cejn 410
Tema 1700

Temperature Range - Temperaturbereich

Nitrile (N) -20°C + 100°C (- 4°F + 212°F)
FPM (V) -20°C + 180°C (- 4°F + 356°F)
EPDM (Ethylene Propylene) -40°C + 150°C (- 40°F + 302°F)

Working Pressure - Betriebsdruck

35 Bar (510 PSI)

Flow size - Nennweite

rtc type 027 10.5 mm

Standard version - Standardversion

Seals - Dichtung : Nitrile (N)

Material of Standard Coupler

Material für die Standardversion

Socket body - Kupplungsgrundkörper	Brass Nickel Plated - Messing vernickelt
Sleeve - Hülse	Steel Nickel Plated - Stahl vernickelt
Springs - Federn	Stainless Steel - Edelstahl
Balls - Kugeln	Stainless Steel - Edelstahl

Plug - Nippel	Steel zinc-nickel plated - Stahl Zink-Nickel beschichtet
------------------	---

Technical Specifications & Advantages

- Advantage of one hand operation.
- High performance valve with increased flow rate and minimised pressure loss.
- Corrosion resistant.

Technische Daten und Vorteile

- Vorteil durch Einhandbedienung.
- Ventil mit hohem Durchfluss und geringem Druckverlust.
- Korrosionsbeständig

Material of Brass Coupler

Material für die Messingversion

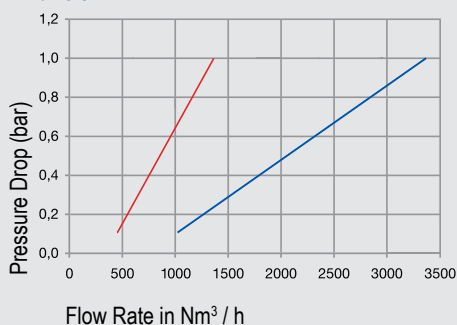
Socket body Kupplungsgrundkörper	Brass - Messing
Sleeve - Hülse	Brass - Messing
Springs - Federn	Stainless Steel - Edelstahl
Balls - Kugeln	Stainless Steel - Edelstahl

Plug - Nippel	Brass - Messing
---------------	-----------------

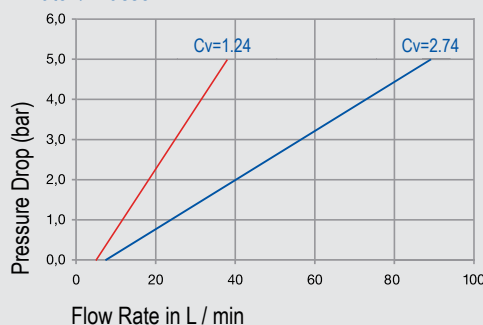


Flow Rate vs Pressure Drop Graph

Air / Luft



Water / Wasser



027
rtc TYPE

rtc TYPE 027

Male thread socket / Kupplung mit Aussengewinde



Sockets / Kupplungen

Size / Größe

Order No / Bestellnr.

Order No / Bestellnr.

Order No / Bestellnr.

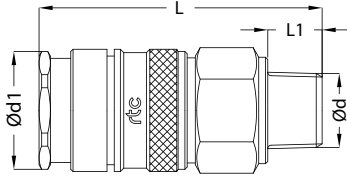
Ød

Ød1

L

L1

HEX.



10.5

027 SRB 13	027 SRO 13	027 SRF 13	BSPT 1/4	27	63	12	24
027 SRB 17	027 SRO 17	027 SRF 17	BSPT 3/8	27	63	12	24
027 SRB 21	027 SRO 21	027 SRF 21	BSPT 1/2	27	66	17	24
027 SRB 26	027 SRO 26	027 SRF 26	BSPT 3/4	27	63	19	27
027 SMB 13	027 SMO 13	027 SMF 13	BSP 1/4	27	60	9	24
027 SMB 17	027 SMO 17	027 SMF 17	BSP 3/8	27	61	10	24
027 SMB 21	027 SMO 21	027 SMF 21	BSP 1/2	27	63	13	24
027 SMB 26	027 SMO 26	027 SMF 26	BSP 3/4	27	66	16	30

rtc TYPE 027

Female thread socket / Kupplung mit Innengewinde



Sockets / Kupplungen

Size / Größe

Order No / Bestellnr.

Order No / Bestellnr.

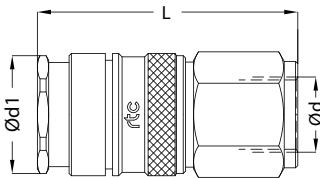
Order No / Bestellnr.

Ød

Ød1

L

HEX.



10.5

027 SFB 13	027 SFO 13	027 SFF 13	BSP 1/4	27	57	24	24
027 SFB 17	027 SFO 17	027 SFF 17	BSP 3/8	27	58	24	24
027 SFB 21	027 SFO 21	027 SFF 21	BSP 1/2	27	58	24	24
027 SFB 26	027 SFO 26	027 SFF 26	BSP 3/4	27	62	32	24
027 SNB 13	027 SNO 13	027 SNF 13	NPT 1/4	27	61	24	24
027 SNB 17	027 SNO 17	027 SNF 17	NPT 3/8	27	62	24	24
027 SNB 21	027 SNO 21	027 SNF 21	NPT 1/2	27	64	24	24
027 SNB 26	027 SNO 26	027 SNF 26	NPT 3/4	27	68	32	24

rtc TYPE 027

Standard hose tail socket / Kupplung mit gerader Standard - Schlauchtülle



Sockets / Kupplungen

Size / Größe

Order No / Bestellnr.

Order No / Bestellnr.

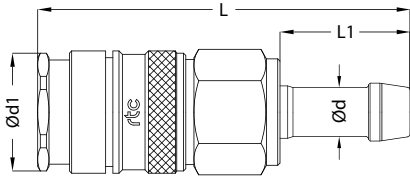
Order No / Bestellnr.

Ød

Ød1

L

L1



10.5

027 SHB 06	027 SHO 06	027 SHF 06	6 mm	27	74	23	23
027 SHB 08	027 SHO 08	027 SHF 08	8 mm	27	74	23	23
027 SHB 09	027 SHO 09	027 SHF 09	9 mm	27	74	23	23
027 SHB 10	027 SHO 10	027 SHF 10	10 mm	27	74	23	23
027 SHB 13	027 SHO 13	027 SHF 13	13 mm	27	74	23	23
027 SHB 16	027 SHO 16	027 SHF 16	16 mm	27	74	23	23
027 SHB 19	027 SHO 19	027 SHF 19	19 mm	27	78	28	28

rtc TYPE 027

Male thread plug / Nippel mit Aussengewinde



Plugs / Nippel

Size / Größe

Order No / Bestellnr.

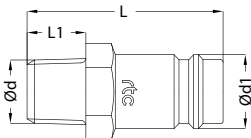
Ød

Ød1

L

L1

HEX.



10.5

027 PRF 13	BSPT 1/4	15	40	12	17
027 PRF 17	BSPT 3/8	15	40	12	17
027 PRF 21	BSPT 1/2	15	46	17	22
027 PRF 26	BSPT 3/4	15	48	17	27
027 PMF 13	BSP 1/4	15	38	9	17
027 PMF 17	BSP 3/8	15	38	9	19
027 PMF 21	BSP 1/2	15	41	12	22
027 PMF 26	BSP 3/4	15	46	15	27

rtc TYPE 027

Female thread plug / Nippel mit Innengewinde



Plugs / Nippel

Size / Größe

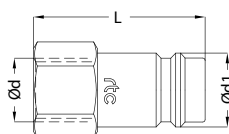
Order No / Bestellnr.

Ød

Ød1

L

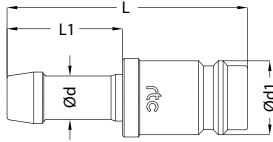
HEX.



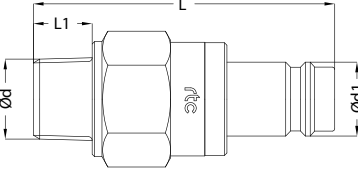
10.5

027 PFF 13	BSP 1/4	15	33	17	17
027 PFF 17	BSP 3/8	15	35	19	19
027 PFF 21	BSP 1/2	15	39	25	25
027 PFF 26	BSP 3/4	15	45	32	32

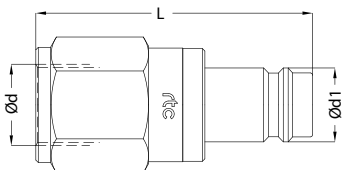
Standard hose tail plug / Nippel mit gerader Standard - Schlauchtülle TYPE 027 **rtc**

Plugs / Nippel	Size / Größe	Order No / Bestellnr.	Ød	Ød1	L	L1
	10.5	027 PHF 06	6 mm	15	49	23
		027 PHF 08	8 mm	15	49	23
		027 PHF 09	9 mm	15	49	23
		027 PHF 10	10 mm	15	49	23
		027 PHF 13	13 mm	15	49	23
		027 PHF 16	16 mm	15	49	23
		027 PHF 19	19 mm	15	53	28

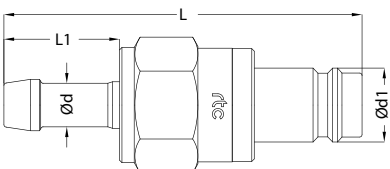
Male thread plug with valve / Nippel mit Aussengewinde mit Ventil TYPE 027 **rtc**

Plugs / Nippel	Size / Größe	Order No / Bestellnr.	Ød	Ød1	L	L1	HEX.
	10.5	027 PRB 13	BSPT 1/4	15	62	12	24
		027 PRB 17	BSPT 3/8	15	62	12	24
		027 PRB 21	BSPT 1/2	15	65	17	24
		027 PRB 26	BSPT 3/4	15	62	17	27
		027 PMB 13	BSP 1/4	15	59	9	24
		027 PMB 17	BSP 3/8	15	60	10	24
		027 PMB 21	BSP 1/2	15	62	13	24
		027 PMB 26	BSP 3/4	15	65	16	30

Female thread plug with valve / Nippel mit Innengewinde mit Ventil TYPE 027 **rtc**

Plugs / Nippel	Size / Größe	Order No / Bestellnr.	Ød	Ød1	L	HEX.
	10.5	027 PFB 13	BSP 1/4	15	56	24
		027 PFB 17	BSP 3/8	15	57	24
		027 PFB 21	BSP 1/2	15	57	24
		027 PFB 26	BSP 3/4	15	61	32
		027 PNB 13	NPT 1/4	15	60	24
		027 PNB 17	NPT 3/8	15	61	24
		027 PNB 21	NPT 1/2	15	63	24
		027 PNB 26	NPT 3/4	15	67	32

Standard hose tail plug with valve / Nippel mit gerader Standard - Schlauchtülle mit Ventil TYPE 027 **rtc**

Plugs / Nippel	Size / Größe	Order No / Bestellnr.	Ød	Ød1	L	L1
	10.5	027 PHB 06	6 mm	15	73	23
		027 PHB 08	8 mm	15	73	23
		027 PHB 09	9 mm	15	73	23
		027 PHB 10	10 mm	15	73	23
		027 PHB 13	13 mm	15	73	23
		027 PHB 16	16 mm	15	73	23
		027 PHB 19	19 mm	15	77	28



rtc[®]

COUPLING TECHNOLOGY



030

rtc TYPE



DN 8 mm Pneumatic Coupling

TYPE 030



Compatible - Kompatibilität

Industrial Interchange 3/8"

rtc 460.08
Rectus 30KA
Cejn 430
Parker 25F

Temperature Range - Temperaturbereich

Nitrile (N) -20°C + 100°C (- 4°F + 212°F)
FPM (V) -20°C + 180°C (- 4°F + 356°F)
EPDM (Ethylene Propylene) -40°C + 150°C (- 40°F + 302°F)

Working Pressure - Betriebsdruck

35 Bar (510 PSI)

Flow size - Nennweite

rtc type 030 8 mm

Standard version - Standardversion

Seals - Dichtung : Nitrile (N)

Material of Standard Coupler

Material für die Standardversion

Socket body - Kupplungsgrundkörper	Brass Nickel Plated - Messing vernickelt
Sleeve - Hülse	Steel Nickel Plated - Stahl vernickelt
Springs - Federn	Stainless Steel - Edelstahl
Balls - Kugeln	Stainless Steel - Edelstahl
Plug - Nippel	Steel zinc-nickel plated - Stahl Zink-Nickel beschichtet

Technical Specifications & Advantages

- Plug profile perfectly fits to the **ISO 6150-B-15, AFNOR B-15 NF E 49-053, US MIL C-4109**
- Advantage of one hand operation.
- High performance valve with increased flow rate and minimised pressure loss.
- Corrosion resistant.

Technische Daten und Vorteile

- Stecknippel gemäß **ISO 6150-B-15, AFNOR B-15 NF E 49-053, US MIL C-4109**
- Ventil mit hohem Druckfluss und geringem Druckverlust
- Vorteil durch Einhandbedienung.
- Korrosionsbeständig

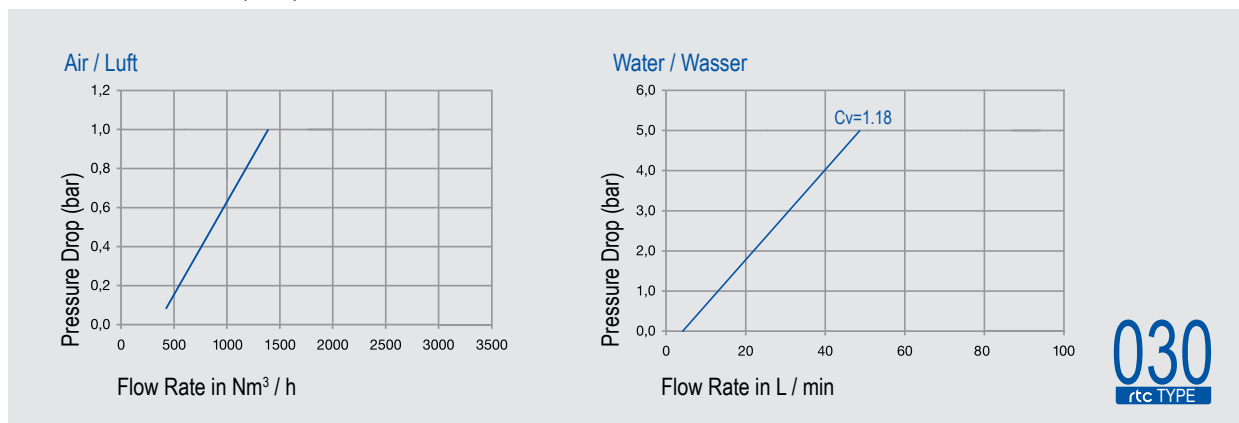
Material of Brass Coupler

Material für die Messingversion

Socket body Kupplungsgrundkörper	Brass - Messing
Sleeve - Hülse	Brass - Messing
Springs - Federn	Stainless Steel - Edelstahl
Balls - Kugeln	Stainless Steel - Edelstahl
Plug - Nippel	Brass - Messing



Flow Rate vs Pressure Drop Graph



030
rtc TYPE

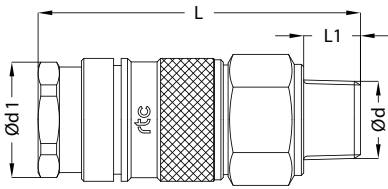
rtc TYPE 030

Male thread socket / Kupplung mit Aussengewinde



Sockets / Kupplungen

Size / Größe	Order No / Bestellnr. 	Order No / Bestellnr. 	Ød	Ød1	L	L1	HEX.
8.5	030 SRO 13	030 SRF 13	BSPT 1/4	26	65	12	24
	030 SRO 17	030 SRF 17	BSPT 3/8	26	65	12	24
	030 SRO 21	030 SRF 21	BSPT 1/2	26	66	17	24



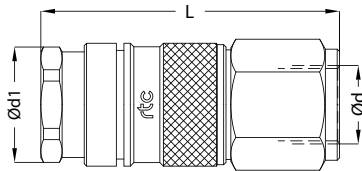
rtc TYPE 030

Female thread socket / Kupplung mit Innengewinde



Sockets / Kupplungen

Size / Größe	Order No / Bestellnr. 	Order No / Bestellnr. 	Ød	Ød1	L	HEX.
8.5	030 SFO 13	030 SFF 13	BSP 1/4	26	61	24
	030 SFO 17	030 SFF 17	BSP 3/8	26	61	24
	030 SFO 21	030 SFF 21	BSP 1/2	26	64	24



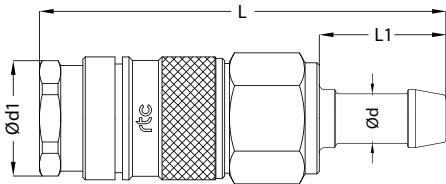
rtc TYPE 030

Standard hose tail socket / Kupplung mit gerader Standard - Schlauchtülle



Sockets / Kupplungen

Size / Größe	Order No / Bestellnr. 	Order No / Bestellnr. 	Ød	Ød1	L	L1
8.5	030 SHO 06	030 SHF 06	6 mm	26	76	23
	030 SHO 08	030 SHF 08	8 mm	26	76	23
	030 SHO 09	030 SHF 09	9 mm	26	76	23
	030 SHO 10	030 SHF 10	10 mm	26	76	23
	030 SHO 13	030 SHF 13	13 mm	26	76	23
	030 SHO 16	030 SHF 16	16 mm	26	76	23
	030 SHO 19	030 SHF 19	19 mm	26	76	23



Male thread plug / Nippel mit Aussengewinde TYPE 030 **rtc**

Plugs / Nippel	Size / Größe	Order No / Bestellnr.	Ød	Ød1	L	L1	HEX.
	8.5	030 PMF 13	BSP 1/4	14.2	46	11	17
		030 PMF 17	BSP 3/8	14.2	46	11	19
		030 PMF 21	BSP 1/2	14.2	52	14	24
		030 PRF 13	BSPT 1/4	14.2	47	12	17
		030 PRF 17	BSPT 3/8	14.2	47	12	19
		030 PRF 21	BSPT 1/2	14.2	55	17	22
		030 PTF 13	NPT 1/4	14.2	47	12	17
		030 PTF 17	NPT 3/8	14.2	47	12	19
		030 PTF 21	NPT 1/2	14.2	55	17	22

Female thread plug / Nippel mit Innengewinde TYPE 030 **rtc**

Plugs / Nippel	Size / Größe	Order No / Bestellnr.	Ød	Ød1	L	L1	HEX.
	8.5	030 PFF 13	BSP 1/4	14.2	44.5	12	17
		030 PFF 17	BSP 3/8	14.2	47	12	19
		030 PFF 21	BSP 1/2	14.2	50	14	24
		030 PNF 13	NPT 1/4	14.2	44.5	13	17
		030 PNF 17	NPT 3/8	14.2	47	13	24
		030 PNF 21	NPT 1/2	14.2	52	15	27

Standard hose tail plug / Nippel mit gerader Standard - Schlauchtülle TYPE 030 **rtc**

Plugs / Nippel	Size / Größe	Order No / Bestellnr.	Ød	Ød1	L	L1
	8.5	030 PHF 06	6 mm	14.2	54	23
		030 PHF 08	8 mm	14.2	54	23
		030 PHF 09	9 mm	14.2	54	23
		030 PHF 10	10 mm	14.2	54	23
		030 PHF 13	13 mm	14.2	54	23

Plug with plastic hose connection / Nippel mit Kunststoffschlauch TYPE 030 **rtc**

Plugs / Nippel	Size / Größe	Order No / Bestellnr.	Ød	Ød1	Ød2	L	L1	HEX.
	8.5	030 PVF 0610	6.5x10 mm	M16x1.5	14.2	57	9	22
		030 PVF 0812	8x12 mm	M16x1.5	14.2	57	9	22
		030 PVF 1116	11x16 mm	M24x1.5	14.2	65	9	27



rtc[®]

COUPLING TECHNOLOGY



032

rtc TYPE



DN 6 & 10 mm Pneumatic Coupling

TYPE 032



Compatible - Kompatibilität

rtc	032.06	rtc	032.10
Rectus	31KA	Rectus	32KA
Cejn	303	Cejn	408
Tema	1300	Tema	1800

Temperature Range - Temperaturbereich

Nitrile (N)	-20°C + 100°C (- 4°F + 212°F)
FPM (V)	-20°C + 180°C (- 4°F + 356°F)
EPDM (Ethylene Propylene)	-40°C + 150°C (- 40°F + 302°F)

Working Pressure - Betriebsdruck

35 Bar (510 PSI)

Flow size - Nennweite

rtc type 032.06	6 mm
rtc type 032.10	10 mm

Standard version - Standardversion

Seals - Dichtung : Nitrile (N)

Material of Standard Coupler

Material für die Standardversion

Socket body - Kupplungsgrundkörper	Brass Nickel Plated - Messing vernickelt
Sleeve - Hülse	Steel nickel plated - Stahl Nickel beschichtet
Springs - Federn	Stainless Steel - Edelstahl
Balls - Kugeln	Stainless Steel - Edelstahl
Seals - Dichtung	Nitrile (N)
Plug - Nippel	Steel zinc-nickel plated - Stahl Zink-Nickel beschichtet

Technical Specifications & Advantages

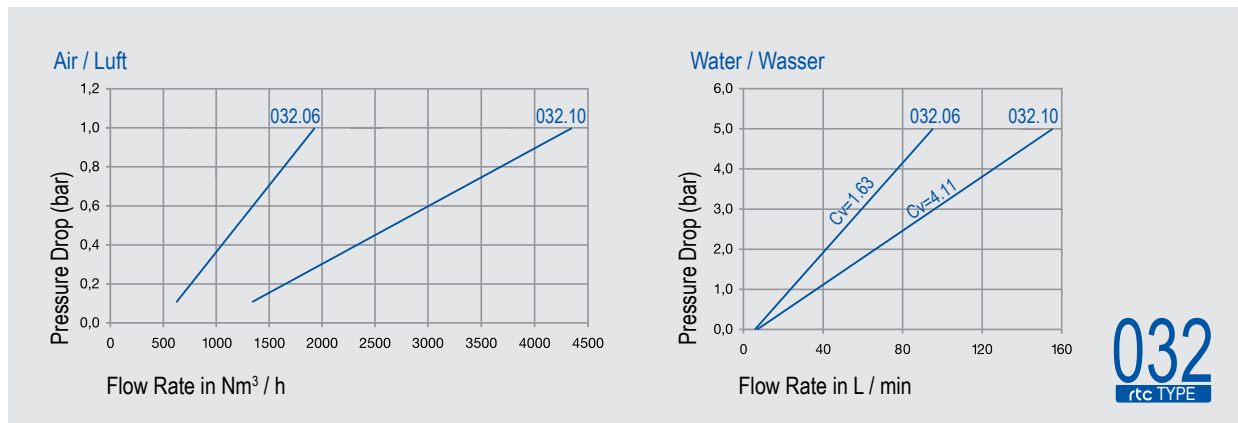
- Advantage of one hand operation.
- High performance valve with increased flow rate and minimised pressure loss.
- Corrosion resistant.

Technische Daten und Vorteile

- Vorteil durch Einhandbedienung.
- Ventil mit hohem Durchfluss und geringem Druckverlust.
- Korrosionsbeständig



Flow Rate vs Pressure Drop Graph



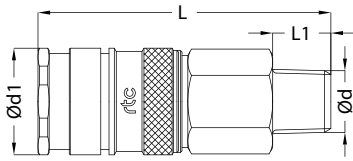
032
rtc TYPE

rtc TYPE 032

Male thread socket / Kupplung mit Aussengewinde



Sockets / Kupplungen



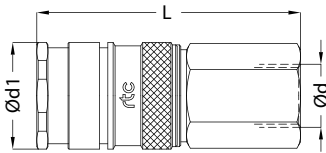
Size / Größe	Order No / Bestellnr. 	Order No / Bestellnr. 	Ød	Ød1	L	L1	HEX.
06	032.06 SRO 13	032.06 SRF 13	BSPT 1/4	22	60	12	19
	032.06 SRO 17	032.06 SRF 17	BSPT 3/8	22	59	12	19
	032.06 SRO 21	032.06 SRF 21	BSPT 1/2	22	57	14	22
10	032.10 SRO 17	032.10 SRF 17	BSPT 3/8	27	63	12	24
	032.10 SRO 21	032.10 SRF 21	BSPT 1/2	27	66	17	24

rtc TYPE 032

Female thread socket / Kupplung mit Innengewinde



Sockets / Kupplungen



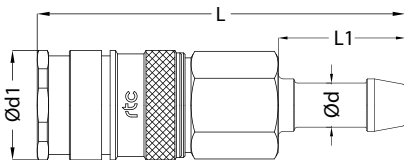
Size / Größe	Order No / Bestellnr. 	Order No / Bestellnr. 	Ød	Ød1	L	HEX.
06	032.06 SFO 13	032.06 SFF 13	BSP 1/4	22	55	20
	032.06 SFO 17	032.06 SFF 17	BSP 3/8	22	55	20
	032.06 SFO 21	032.06 SFF 21	BSP 1/2	22	57	24
10	032.10 SFO 17	032.10 SFF 17	BSP 3/8	27	58	24
	032.10 SFO 21	032.10 SFF 21	BSP 1/2	27	58	24

rtc TYPE 032

Standard hose tail socket / Kupplung mit gerader Standard - Schlauchtülle



Sockets / Kupplungen



Size / Größe	Order No / Bestellnr. 	Order No / Bestellnr. 	Ød	Ød1	L	L1
06	032.06 SHO 06	032.06 SHF 06	6 mm	22	71	23
	032.06 SHO 08	032.06 SHF 08	8 mm	22	71	23
	032.06 SHO 10	032.06 SHF 10	10 mm	22	71	23
	032.06 SHO 13	032.06 SHF 13	13 mm	22	71	23
10	032.10 SHO 10	032.10 SHF 10	10 mm	27	74	23
	032.10 SHO 13	032.10 SHF 13	13 mm	27	74	23
	032.10 SHO 16	032.10 SHF 16	16 mm	27	77	26
	032.10 SHO 19	032.10 SHF 19	19 mm	27	84	33



Male thread plug / Nippel mit Aussengewinde

TYPE 032 **rtc**

Plugs / Nippel	Size / Größe	Order No / Bestellnr. →←→	Ød	Ød1	L	L1	HEX.
	06	032.06 PRF 10	BSPT 1/8	12	35	9	13
		032.06 PRF 13	BSPT 1/4	12	38	12	14
		032.06 PRF 17	BSPT 3/8	12	39	12	17
		032.06 PRF 21	BSPT 1/2	12	40	14	22
	10	032.10 PRF 10	BSPT 1/8	16	36	9	17
		032.10 PRF 13	BSPT 1/4	16	39	12	17
		032.10 PRF 17	BSPT 3/8	16	40	12	17
		032.10 PRF 21	BSPT 1/2	16	47	17	22



Female thread plug / Nippel mit Innengewinde

TYPE 032 **rtc**

Plugs / Nippel	Size / Größe	Order No / Bestellnr. →←→	Ød	Ød1	L	HEX.
	06	032.06 PFF 10	BSP 1/8	12	35	14
		032.06 PFF 13	BSP 1/4	12	38	17
		032.06 PFF 17	BSP 3/8	12	38	19
	10	032.10 PFF 13	BSP 1/4	16	39	17
		032.10 PFF 17	BSP 3/8	16	39	19
		032.10 PFF 21	BSP 1/2	16	43	24



Standard hose tail plug / Nippel mit gerader Standard - Schlauchtülle

TYPE 032 **rtc**

Plugs / Nippel	Size / Größe	Order No / Bestellnr. →←→	Ød	Ød1	L	L1
	06	032.06 PHF 06	6 mm	12	48	23
		032.06 PHF 08	8 mm	12	48	23
		032.06 PHF 10	10 mm	12	48	23
		032.06 PHF 13	13 mm	12	48	23
	10	032.10 PHF 06	6 mm	16	47	23
		032.10 PHF 08	8 mm	16	47	23
		032.10 PHF 10	10 mm	16	47	23
		032.10 PHF 13	13 mm	16	47	23
		032.10 PHF 16	16 mm	16	50	26
		032.10 PHF 19	19 mm	16	57	33



rtc[®]

COUPLING TECHNOLOGY



033

rtc TYPE



DN 8 mm Pneumatic Coupling

TYPE 033



Compatible - Kompatibilität

rtc 468.08
Rectus 33KA
Atlas Copco QIC 10

Temperature Range - Temperaturbereich

Nitrile (N) -20°C + 100°C (- 4°F + 212°F)
FPM (V) -20°C + 180°C (- 4°F + 356°F)
EPDM (Ethylene Propylene) -40°C + 150°C (- 40°F + 302°F)

Working Pressure - Betriebsdruck

35 Bar (510 PSI)

Flow size - Nennweite

rtc type 033 8 mm

Standard version - Standardversion

Seals - Dichtung : Nitrile (N)

Material of Standard Coupler

Material für die Standardversion

Socket body - Kupplungsgrundkörper	Steel zinc-nickel plated - Stahl Zink-Nickel beschichtet
Sleeve - Hülse	Steel zinc-nickel plated - Stahl Zink-Nickel beschichtet
Springs - Federn	Stainless Steel - Edelstahl
Balls - Kugeln	Stainless Steel - Edelstahl
Seals - Dichtung	Nitrile (N)
Plug - Nippel	Steel zinc-nickel plated - Stahl Zink-Nickel beschichtet

Technical Specifications & Advantages

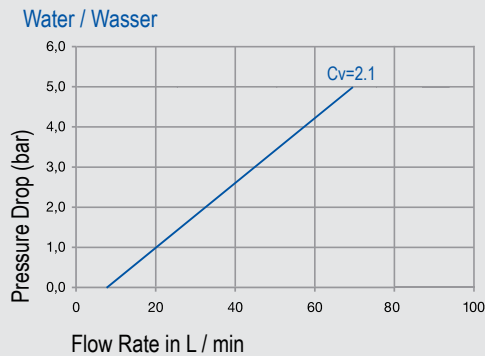
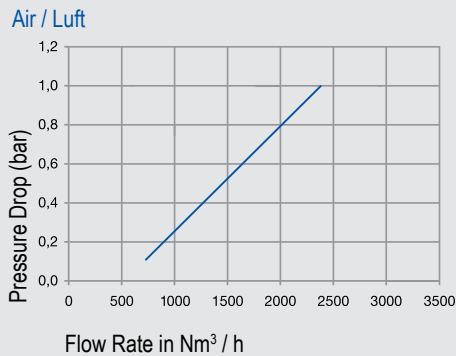
- Advantage of one hand operation.
- High performance valve with increased flow rate and minimised pressure loss.
- Corrosion resistant.

Technische Daten und Vorteile

- Vorteil durch Einhandbedienung.
- Ventil mit hohem Durchfluss und geringem Druckverlust.
- Korrosionsbeständig



Flow Rate vs Pressure Drop Graph



033
rtc TYPE

rtc TYPE 033

Male thread socket / Kupplung mit Aussengewinde



Sockets / Kupplungen

Size / Größe

Order No / Bestellnr.

Order No / Bestellnr.

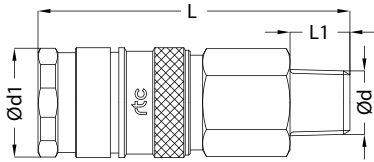
Ød

Ød1

L

L1

HEX.



08

033 SRO 13

033 SRF 13

BSPT 1/4

22

60

12

19

033 SRO 17

033 SRF 17

BSPT 3/8

22

59

12

19

033 SRO 21

033 SRF 21

BSPT 1/2

22

57

17

22

rtc TYPE 033

Female thread socket / Kupplung mit Innengewinde



Sockets / Kupplungen

Size / Größe

Order No / Bestellnr.

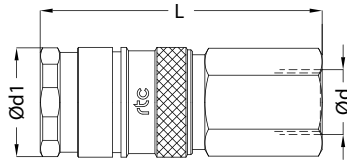
Order No / Bestellnr.

Ød

Ød1

L

HEX.



08

033 SFO 13

033 SFF 13

BSP 1/4

22

55

19

033 SFO 17

033 SFF 17

BSP 3/8

22

54

19

033 SFO 21

033 SFF 21

BSP 1/2

22

57

24

rtc TYPE 033

Standard hose tail socket / Kupplung mit gerader Standard - Schlauchfülle



Sockets / Kupplungen

Size / Größe

Order No / Bestellnr.

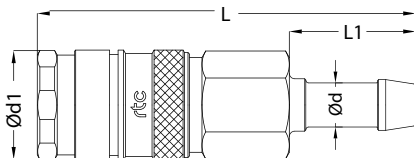
Order No / Bestellnr.

Ød

Ød1

L

L1



08

033 SHO 06

033 SHF 06

6 mm

22

71

23

033 SHO 08

033 SHF 08

8 mm

22

71

23

033 SHO 09

033 SHF 09

9 mm

22

71

23

033 SHO 10

033 SHF 10

10 mm

22

71

23

033 SHO 13

033 SHF 13

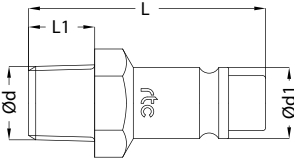
13 mm

22

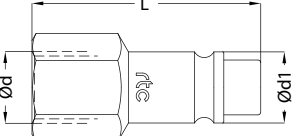
71

23

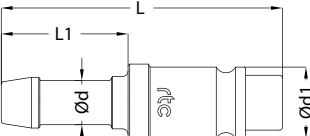
Male thread plug / Nippel mit Aussengewinde TYPE 033 **rtc**

Plugs / Nippel	Size / Größe	Order No / Bestellnr. →←	Ød	Ød1	L	L1	HEX.
	08	033 PRF 10	BSPT 1/8	14	38	9	14
		033 PRF 13	BSPT 1/4	14	42	12	14
		033 PRF 17	BSPT 3/8	14	43	12	19
		033 PRF 21	BSPT 1/2	14	51	17	22

Female thread plug / Nippel mit Innengewinde TYPE 033 **rtc**

Plugs / Nippel	Size / Größe	Order No / Bestellnr. →←	Ød	Ød1	L	HEX.
	08	033 PFF 10	BSP 1/8	14	37	14
		033 PFF 13	BSP 1/4	14	42	17
		033 PFF 17	BSP 3/8	14	43	17
		033 PFF 21	BSP 1/2	14	47	24

Standard hose tail plug / Nippel mit gerader Standard - Schlauchtülle TYPE 033 **rtc**

Plugs / Nippel	Size / Größe	Order No / Bestellnr. →←	Ød	Ød1	L	L1
	08	033 PHF 06	6 mm	14	48	20
		033 PHF 08	8 mm	14	51	23
		033 PHF 09	9 mm	14	51	23
		033 PHF 10	10 mm	14	51	23
		033 PHF 13	13 mm	14	51	23



rtc[®]

COUPLING TECHNOLOGY



034

rtc TYPE



DN 10 mm Pneumatic Coupling

TYPE 034



Compatible - Kompatibilität

Rectus 34KA
Atlas Copco QIC 15

Temperature Range - Temperaturbereich

Nitrile (N) -20°C + 100°C (- 4°F + 212°F)
FPM (V) -20°C + 180°C (- 4°F + 356°F)
EPDM (Ethylene Propylene) -40°C + 150°C (- 40°F + 302°F)

Working Pressure - Betriebsdruck

35 Bar (510 PSI)

Flow size - Nennweite

rtc type 034 10 mm

Standard version - Standardversion

Seals - Dichtung : Nitrile (N)

Material of Standard Coupler

Material für die Standardversion

Socket body - Kupplungsgrundkörper	Brass Nickel Plated - Messing vernickelt
Sleeve - Hülse	Steel Nickel Plated - Stahl vernickelt
Springs - Federn	Stainless Steel - Edelstahl
Locking Ring - Sprengring	Stainless Steel - Edelstahl
Balls - Kugeln	Stainless Steel - Edelstahl

Plug - Nippel	Steel zinc-nickel plated - Stahl Zink-Nickel beschichtet
------------------	---

Technical Specifications & Advantages

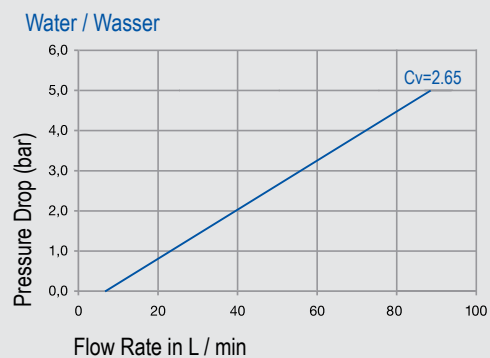
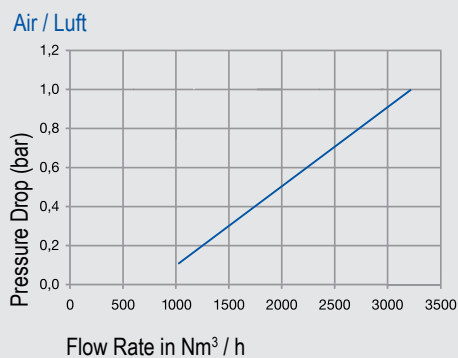
- Advantage of one hand operation.
- High performance valve with increased flow rate and minimised pressure loss.
- Corrosion resistant.

Technische Daten und Vorteile

- Vorteil durch Einhandbedienung.
- Ventil mit hohem Durchfluss und geringem Druckverlust.
- Korrosionsbeständig



Flow Rate vs Pressure Drop Graph



034
rtc TYPE

rtc TYPE 034

Male thread socket / Kupplung mit Aussengewinde



Sockets / Kupplungen

Size / Größe

Order No / Bestellnr.

Ød

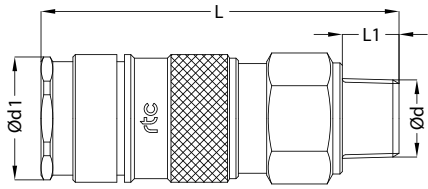
Ød1

L

L1

HEX.

10



Order No / Bestellnr.	Ød	Ød1	L	L1	HEX.
034 SRO 13	BSPT 1/4	27	71	12	24
034 SRO 17	BSPT 3/8	27	71	12	24
034 SRO 21	BSPT 1/2	27	74	17	24
034 SRO 26	BSPT 3/4	27	75	19	27

rtc TYPE 034

Female thread socket / Kupplung mit Innengewinde



Sockets / Kupplungen

Size / Größe

Order No / Bestellnr.

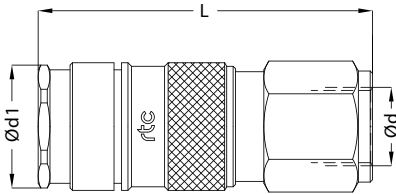
Ød

Ød1

L

HEX.

10



Order No / Bestellnr.	Ød	Ød1	L	HEX.
034 SFO 13	BSP 1/4	27	65	24
034 SFO 17	BSP 3/8	27	66	24
034 SFO 21	BSP 1/2	27	66	24
034 SFO 26	BSP 3/4	27	70	32

rtc TYPE 034

Standard hose tail socket / Kupplung mit gerader Standard - Schlauchtülle



Sockets / Kupplungen

Size / Größe

Order No / Bestellnr.

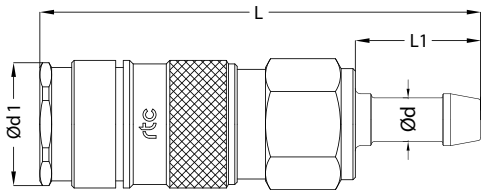
Ød

Ød1

L

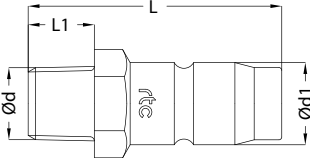
L1

10

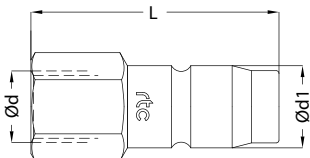


Order No / Bestellnr.	Ød	Ød1	L	L1
034 SHO 06	6 mm	27	82	23
034 SHO 08	8 mm	27	82	23
034 SHO 09	9 mm	27	82	23
034 SHO 10	10 mm	27	82	23
034 SHO 13	13 mm	27	82	23
034 SHO 16	16 mm	27	82	23
034 SHO 19	19 mm	27	87	28

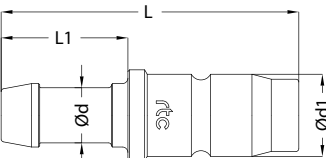
Male thread plug / Nippel mit Aussengewinde TYPE 034 **rtc**

Plugs / Nippel	Size / Größe	Order No / Bestellnr.	Ød	Ød1	L	L1	HEX.
	10	034 PRF 13	BSPT 1/4	15	46	12	17
		034 PRF 17	BSPT 3/8	15	47	12	17
		034 PRF 21	BSPT 1/2	15	55	17	22

Female thread plug / Nippel mit Innengewinde TYPE 034 **rtc**

Plugs / Nippel	Size / Größe	Order No / Bestellnr.	Ød	Ød1	L	HEX.
	10	034 PFF 13	BSP 1/4	15	45	17
		034 PFF 17	BSP 3/8	15	49	19
		034 PFF 21	BSP 1/2	15	52	24

Standard hose tail plug / Nippel mit gerader Standard - Schlauchtülle TYPE 034 **rtc**

Plugs / Nippel	Size / Größe	Order No / Bestellnr.	Ød	Ød1	L	L1
	10	034 PHF 06	6 mm	15	54	23
		034 PHF 08	8 mm	15	54	23
		034 PHF 09	9 mm	15	54	23
		034 PHF 10	10 mm	15	54	23
		034 PHF 13	13 mm	15	54	23
		034 PHF 16	16 mm	15	57	26
		034 PHF 19	19 mm	15	59	28



rtc[®]

COUPLING TECHNOLOGY



035

rtc TYPE



DN 7.4 mm Pneumatic Breathing Air Coupling

TYPE 035



Compatible - Kompatibilität

Rectus 95KS
Cejn 344

Temperature Range - Temperaturbereich

Nitrile (N) -20°C + 100°C (- 4°F + 212°F)
FPM (V) -20°C + 180°C (- 4°F + 356°F)
EPDM (Ethylene Propylene) -40°C + 150°C (- 40°F + 302°F)

Working Pressure - Betriebsdruck

35 Bar (510 PSI)

Flow size - Nennweite

rtc type 035 7.4 mm

Standard version - Standardversion

Seals - Dichtung : Nitrile (N)

Material of Standard Coupler

Material für die Standardversion

Socket body - Kupplungsgrundkörper	Brass Nickel Plated - Messing vernickelt
Sleeve - Hülse	Brass Nickel Plated - Messing vernickelt
Springs - Federn	Stainless Steel - Edelstahl
Balls - Kugeln	Stainless Steel - Edelstahl

Plug - Nippel	Brass Nickel Plated - Messing vernickelt
------------------	---

Technical Specifications & Advantages

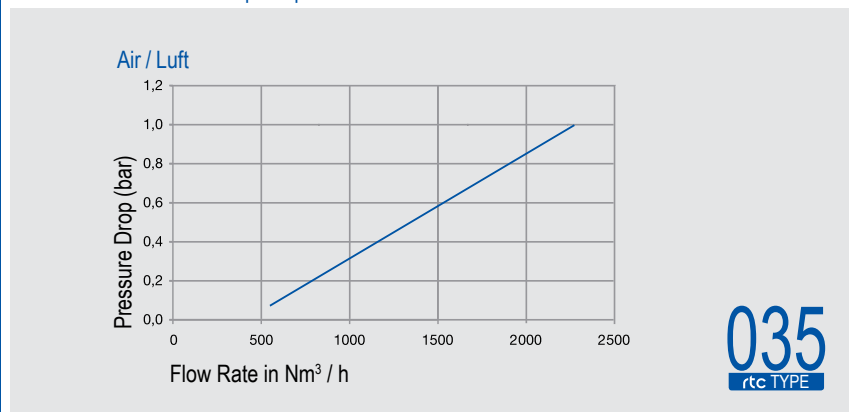
- Sister coupling of **rtc** type 036.
- Safety feature of the coupling is the plug should be pushed more into the coupling in order to disconnect.
- Breathing air coupling
- Advantage of one hand useage.
- High performance valve with increased flow rate and minimised pressure loss.
- Anti-corrosive
- One hand operation

Technische Daten und Vorteile

- Gehört zur Gruppe **rtc** type 036
- Sicherheitsfunktion der Kupplung, Nippel muss in die Kupplung gedrückt werden um gelöst zu werden.
- Geeignet für Atemluftanwendungen
- Vorteil durch Einhandbedienung
- Ventil mit hohem Durchfluss und geringem Druckabfall.
- Korrosionsbeständig



Flow Rate vs Pressure Drop Graph



035
rtc TYPE

rtc TYPE 035

Male thread socket / Kupplung mit Aussengewinde



Sockets / Kupplungen

Size / Größe

Order No / Bestellnr.

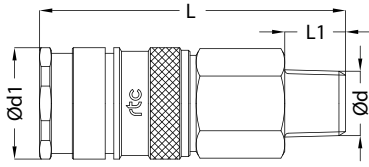
Ød

Ød1

L

L1

HEX.



7.4

035 SMO 13	BSP 1/4	22	57	9	19
035 SMO 17	BSP 3/8	22	57	11	19
035 SMO 21	BSP 1/2	22	52	12	22
035 SRO 10	BSPT 1/8	22	57	9	19
035 SRO 13	BSPT 1/4	22	60	12	19
035 SRO 17	BSPT 3/8	22	59	12	19
035 SRO 21	BSPT 1/2	22	57	17	22
035 STO 13	NPT 1/4	22	60	12	19
035 STO 17	NPT 3/8	22	59	12	19
035 STO 21	NPT 1/2	22	57	17	22

rtc TYPE 035

Female thread socket / Kupplung mit Innengewinde



Sockets / Kupplungen

Size / Größe

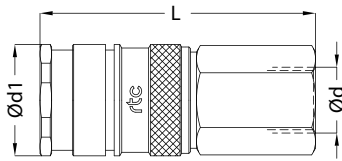
Order No / Bestellnr.

Ød

Ød1

L

HEX.



7.4

035 SFO 13	BSP 1/4	22	55	19	19
035 SFO 17	BSP 3/8	22	54	19	19
035 SFO 21	BSP 1/2	22	57	24	24
035 SNO 13	NPT 1/4	22	58	19	19
035 SNO 17	NPT 3/8	22	58	19	19
035 SNO 21	NPT 1/2	22	62	24	24

rtc TYPE 035

Standard hose tail socket / Kupplung mit gerader Standard - Schlauchtülle



Sockets / Kupplungen

Size / Größe

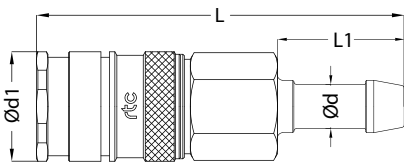
Order No / Bestellnr.

Ød

Ød1

L

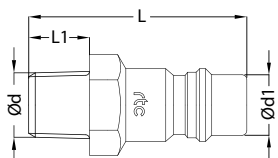
L1



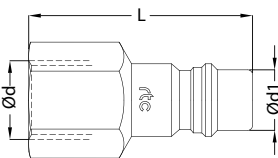
7.4

035 SHO 06	6 mm	22	71	23	23
035 SHO 08	8 mm	22	71	23	23
035 SHO 09	9 mm	22	71	23	23
035 SHO 10	10 mm	22	71	23	23
035 SHO 13	13 mm	22	71	23	23

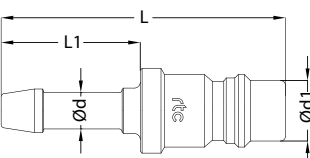
Male thread plug / Nippel mit Aussengewinde TYPE 035 **rtc**

Plugs / Nippel	Size / Größe	Order No / Bestellnr. →←	Ød	Ød1	L	L1	HEX.
	7.4	035 PMF 13	BSP 1/4	10	36	11	14
		035 PMF 17	BSP 3/8	10	38	11	19
		035 PRF 13	BSPT 1/4	10	39	12	14
		035 PRF 17	BSPT 3/8	10	40	12	17
		035 PRF 21	BSPT 1/2	10	45	17	22
		035 PTF 13	NPT 1/4	10	39	12	14
		035 PTF 17	NPT 3/8	10	40	12	17

Female thread plug / Nippel mit Innengewinde TYPE 035 **rtc**

Plugs / Nippel	Size / Größe	Order No / Bestellnr. →←	Ød	Ød1	L	HEX.
	7.4	035 PFF 13	BSP 1/4	10	36	17
		035 PFF 17	BSP 3/8	10	36	19

Standard hose tail plug / Nippel mit gerader Standard - Schlauchtülle TYPE 035 **rtc**

Plugs / Nippel	Size / Größe	Order No / Bestellnr. →←	Ød	Ød1	L	L1
	7.4	035 PHF 06	6 mm	10	48	23
		035 PHF 08	8 mm	10	48	23
		035 PHF 09	9 mm	10	48	23
		035 PHF 10	10 mm	10	48	23
		035 PHF 13	13 mm	10	48	23



rtc[®]

COUPLING TECHNOLOGY



036

rtc TYPE



DN 7.4 mm Pneumatic Breathing Air Coupling

TYPE 036



Compatible - Kompatibilität

Rectus 96KS
Cejn 342

Temperature Range - Temperaturbereich

Nitrile (N) -20°C + 100°C (- 4°F + 212°F)
FPM (V) -20°C + 180°C (- 4°F + 356°F)
EPDM (Ethylene Propylene) -40°C + 150°C (- 40°F + 302°F)

Working Pressure - Betriebsdruck

35 Bar (510 PSI)

Flow size - Nennweite

rtc type 036 7.4 mm

Standard version - Standardversion

Seals - Dichtung : Nitrile (N)

Material of Standard Coupler

Material für die Standardversion

Socket body - Kupplungsgrundkörper	Brass Nickel Plated - Messing vernickelt
Sleeve - Hülse	Brass Nickel Plated - Messing vernickelt
Springs - Federn	Stainless Steel - Edelstahl
Balls - Kugeln	Stainless Steel - Edelstahl

Plug - Nippel	Brass Nickel Plated - Messing vernickelt
------------------	---

Technical Specifications & Advantages

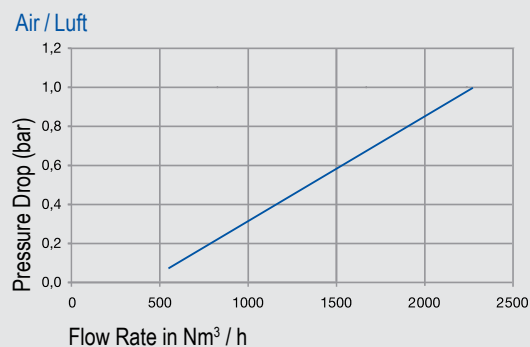
- Sister coupling of rtc type 035.
- Safety feature of the coupling is the plug should be pushed more into the coupling in order to disconnect.
- Breathing air coupling
- Advantage of one hand usage.
- High performance valve with increased flow rate and minimised pressure loss.
- Anti-corrosive
- One hand operation

Technische Daten und Vorteile

- Gehört zur Gruppe rtc type 035
- Sicherheitsfunktion der Kupplung, Nippel muss in die Kupplung gedrückt werden um gelöst zu werden.
- Geeignet für Atemluftanwendungen
- Vorteil durch Einhandbedienung
- Ventil mit hohem Durchfluss und geringem Druckabfall.
- Korrosionsbeständig



Flow Rate vs Pressure Drop Graph



036
rtc TYPE

rtc TYPE 036

Male thread socket / Kupplung mit Aussengewinde



Sockets / Kupplungen

Size / Größe

Order No / Bestellnr.

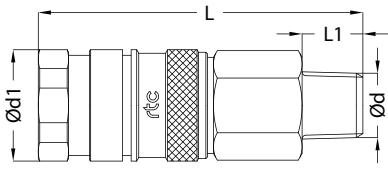
Ød

Ød1

L

L1

HEX.



7.4

036 SMO 13	BSP 1/4	22	61	9	19
036 SMO 17	BSP 3/8	22	61	11	19
036 SMO 21	BSP 1/2	22	56	12	22
036 SRO 10	BSPT 1/8	22	61	9	19
036 SRO 13	BSPT 1/4	22	64	12	19
036 SRO 17	BSPT 3/8	22	63	12	19
036 SRO 21	BSPT 1/2	22	61	17	22
036 STO 13	NPT 1/4	22	64	12	19
036 STO 17	NPT 3/8	22	63	12	19
036 STO 21	NPT 1/2	22	61	17	22

rtc TYPE 036

Female thread socket / Kupplung mit Innengewinde



Sockets / Kupplungen

Size / Größe

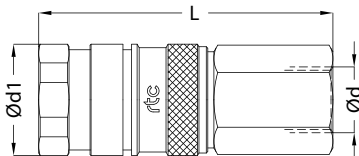
Order No / Bestellnr.

Ød

Ød1

L

HEX.



7.4

036 SFO 13	BSP 1/4	22	59	19
036 SFO 17	BSP 3/8	22	58	19
036 SFO 21	BSP 1/2	22	61	24
036 SNO 13	NPT 1/4	22	62	19
036 SNO 17	NPT 3/8	22	62	19
036 SNO 21	NPT 1/2	22	66	24

rtc TYPE 036

Standard hose tail socket / Kupplung mit gerader Standard - Schlauchtülle



Sockets / Kupplungen

Size / Größe

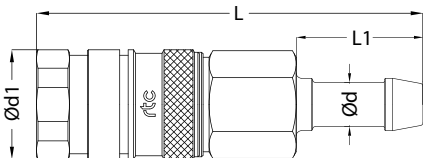
Order No / Bestellnr.

Ød

Ød1

L

L1



7.4

036 SHO 06	6 mm	22	75	23
036 SHO 08	8 mm	22	75	23
036 SHO 09	9 mm	22	75	23
036 SHO 10	10 mm	22	75	23
036 SHO 13	13 mm	22	75	23

Male thread plug / Nippel mit Aussengewinde TYPE 036 **rtc**

Plugs / Nippel	Size / Größe	Order No / Bestellnr. →←	Ød	Ød1	L	L1	HEX.
	7.4	036 PMF 13	BSP 1/4	10	40	9	14
		036 PMF 17	BSP 3/8	10	41	10	19
		036 PRF 13	BSPT 1/4	10	43	12	14
		036 PRF 17	BSPT 3/8	10	45	12	17
		036 PTF 13	NPT 1/4	10	43	12	14
		036 PTF 17	NPT 3/8	10	45	12	17

Female thread plug / Nippel mit Innengewinde TYPE 036 **rtc**

Plugs / Nippel	Size / Größe	Order No / Bestellnr. →←	Ød	Ød1	L	HEX.
	7.4	036 PFF 13	BSP 1/4	10	42	17
		036 PFF 17	BSP 3/8	10	44	19

Standard hose tail plug / Nippel mit gerader Standard - Schlauchtülle TYPE 036 **rtc**

Plugs / Nippel	Size / Größe	Order No / Bestellnr. →←	Ød	Ød1	L	L1
	7.4	036 PHF 06	6 mm	10	52	23
		036 PHF 08	8 mm	10	52	23
		036 PHF 09	9 mm	10	52	23
		036 PHF 10	10 mm	10	52	23
		036 PHF 13	13 mm	10	52	23



rtc[®]

COUPLING TECHNOLOGY



037

rtc TYPE



DN 11 mm Pneumatic Coupling

TYPE 037



Compatible - Kompatibilität

Industrial interchange 1/2

rtc 460.11
Rectus 37KA
Gromelle 1300
Hansen 5000

Temperature Range - Temperaturbereich

Nitrile (N) -20°C + 100°C (- 4°F + 212°F)
FPM (V) -20°C + 180°C (- 4°F + 356°F)
EPDM (Ethylene Propylene) -40°C + 150°C (- 40°F + 302°F)

Working Pressure - Betriebsdruck

35 Bar (510 PSI)

Flow size - Nennweite

rtc type 037 11 mm

Standard version - Standardversion

Seals - Dichtung : Nitrile (N)

Material of Standard Coupler

Material für die Standardversion

Socket body - Kupplungsgrundkörper	Brass Nickel Plated - Messing vernickelt
Sleeve - Hülse	Steel Nickel Plated - Stahl vernickelt
Springs - Federn	Stainless Steel - Edelstahl
Balls - Kugeln	Stainless Steel - Edelstahl
Plug - Nippel	Steel zinc-nickel plated - Stahl Zink-Nickel beschichtet

Technical Specifications & Advantages

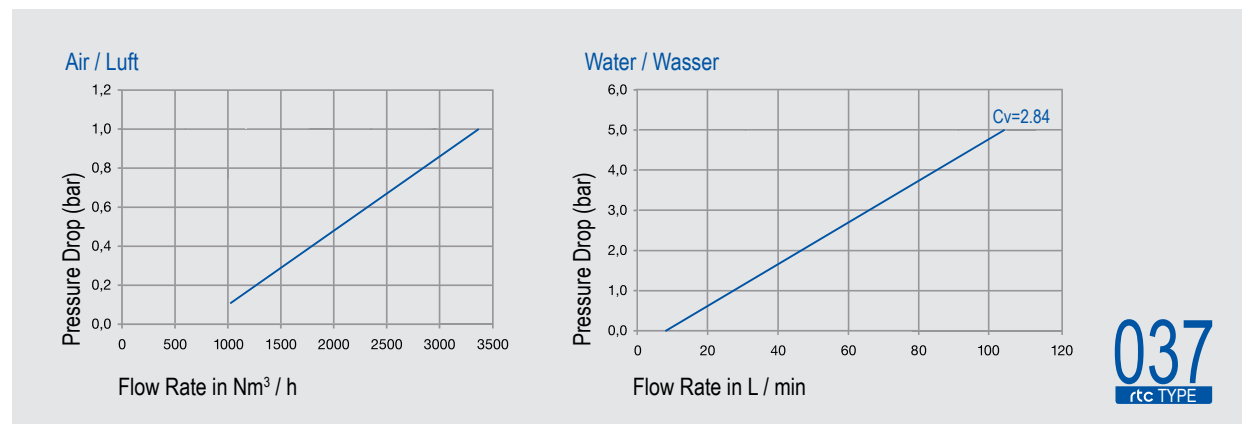
- Advantage of one hand useage.
- High performance valve with increased flow rate and minimised pressure loss.
- Anti-corrosive

Technische Daten und Vorteile

- Vorteil durch Einhandbedienung.
- Ventil mit hohem Durchfluss und geringem Druckverlust.
- Korrosionsbeständig



Flow Rate vs Pressure Drop Graph



rtc TYPE 037

Male thread socket / Kupplung mit Aussengewinde



Sockets / Kupplungen

Size / Größe

Order No / Bestellnr.

Order No / Bestellnr.

Ød

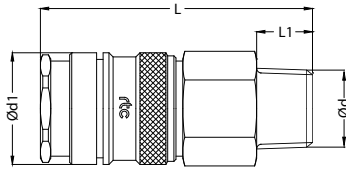
Ød1

L

L1

HEX.

11



037 SRO 13

037 SRF 13

BSPT 1/4

30

68

12

24

037 SRO 17

037 SRF 17

BSPT 3/8

30

68

12

24

037 SRO 21

037 SRF 21

BSPT 1/2

30

71

17

24

037 SRO 26

037 SRF 26

BSPT 3/4

30

68

17

27

rtc TYPE 037

Female thread socket / Kupplung mit Innengewinde



Sockets / Kupplungen

Size / Größe

Order No / Bestellnr.

Order No / Bestellnr.

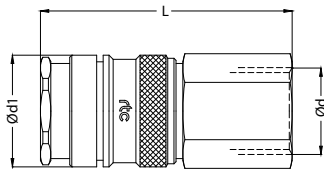
Ød

Ød1

L

HEX.

11



037 SFO 13

037 SFF 13

BSP 1/4

30

74

27

037 SFO 17

037 SFF 17

BSP 3/8

30

75

27

037 SFO 21

037 SFF 21

BSP 1/2

30

77

27

037 SFO 26

037 SFF 26

BSP 3/4

30

81

32

rtc TYPE 037

Standard hose tail socket / Kupplung mit gerader Standard - Schlauchtülle



Sockets / Kupplungen

Size / Größe

Order No / Bestellnr.

Order No / Bestellnr.

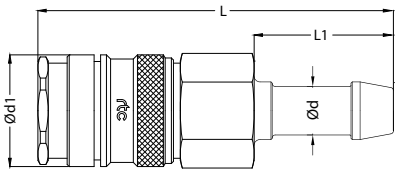
Ød

Ød1

L

L1

11



037 SHO 10

037 SHF 10

10 mm

30

78.5

22.5

037 SHO 13

037 SHF 13

13 mm

30

78.5

22.5

037 SHO 16

037 SHF 16

16 mm

30

78.5

22.5

037 SHO 19

037 SHF 19

19 mm

30

78.5

22.5

Male thread socket / Kuplung mit Aussengewinde TYPE 037 **rtc**

Plugs / Nippel	Size / Größe	Order No / Bestellnr.	Ød	Ød1	L	L1	HEX.
	11	037 PMF 13	BSP 1/4	16.7	56	11	17
		037 PMF 17	BSP 3/8	16.7	56	11	19
		037 PMF 21	BSP 1/2	16.7	59	14	24
		037 PMF 26	BSP 3/4	16.7	60	15	27
		037 PTF 13	NPT 1/4	16.7	57	12	17
		037 PTF 17	NPT 3/8	16.7	57	12	19
		037 PTF 21	NPT 1/2	16.7	62	17	24
		037 PTF 26	NPT 3/4	16.7	64	19	27

Female thread socket / Kuplung mit Innengewinde TYPE 037 **rtc**

Plugs / Nippel	Size / Größe	Order No / Bestellnr.	Ød	Ød1	L	HEX.
	11	037 PFF 13	BSP 1/4	16.7	52	17
		037 PFF 17	BSP 3/8	16.7	57	19
		037 PFF 21	BSP 1/2	16.7	61	27
		037 PFF 26	BSP 3/4	16.7	63	32
		037 PNF 13	NPT 1/4	16.7	52	17
		037 PNF 17	NPT 3/8	16.7	59	22
		037 PNF 21	NPT 1/2	16.7	61	27
		037 PNF 26	NPT 3/4	16.7	63	32

Standard hose tail socket / Kuplung mit gerader Standard - Schlauchtülle TYPE 037 **rtc**

Plugs / Nippel	Size / Größe	Order No / Bestellnr.	Ød	Ød1	L	L1
	11	037 PHF 08	8 mm	16.7	62	23
		037 PHF 10	10 mm	16.7	62	23
		037 PHF 13	13 mm	16.7	62	23
		037 PHF 16	16 mm	16.7	68	26
		037 PHF 19	19 mm	16.7	79	37

Plug with plastic hose connection / Nippel mit Kunststoffschlauch TYPE 037 **rtc**

Plugs / Nippel	Size / Größe	Order No / Bestellnr.	Ød	Ød1	Ød2	L	L1	HEX.
	11	037 PVF 0610	6.5x10 mm	M16x1.5	16.7	65	9	22
		037 PVF 0812	8x12 mm	M16x1.5	16.7	65	9	22
		037 PVF 1116	11x16 mm	M24x1.5	16.7	70	9	27



rtc[®]

COUPLING TECHNOLOGY



038

rtc TYPE





DN 15 & 19 mm Pneumatic Coupling

TYPE 038



Compatible - Kompatibilität

rtc	038.15	rtc	038.19
Rectus	38KA	Rectus	039KA
Rectus	38KB 	Rectus	039KB 
Cejn	303	Cejn	408
Tema	1300	Tema	1800

Temperature Range - Temperaturbereich

Nitrile (N)	-20°C + 100°C (- 4°F + 212°F)
FPM (V)	-20°C + 180°C (- 4°F + 356°F)
EPDM (Ethylene Propylene)	-40°C + 150°C (- 40°F + 302°F)

Working Pressure - Betriebsdruck

35 Bar (510 PSI)

Flow size - Nennweite

rtc type 038.15	15 mm
rtc type 038.19	19 mm

Standard version - Standardversion

Seals - Dichtung : Nitrile (N)

Material of Standard Coupler

Material für die Standardversion

Socket body - Kupplungsgrundkörper	Brass - Messing
Sleeve - Hülse	Brass - Messing
Springs - Federn	Stainless Steel - Edelstahl
Locking Ring - Sprengring	Stainless Steel - Edelstahl
Balls - Kugeln	Stainless Steel - Edelstahl
Seals - Dichtung	Nitrile (N)
Plug - Nippel	Brass - Messing

Technical Specifications & Advantages

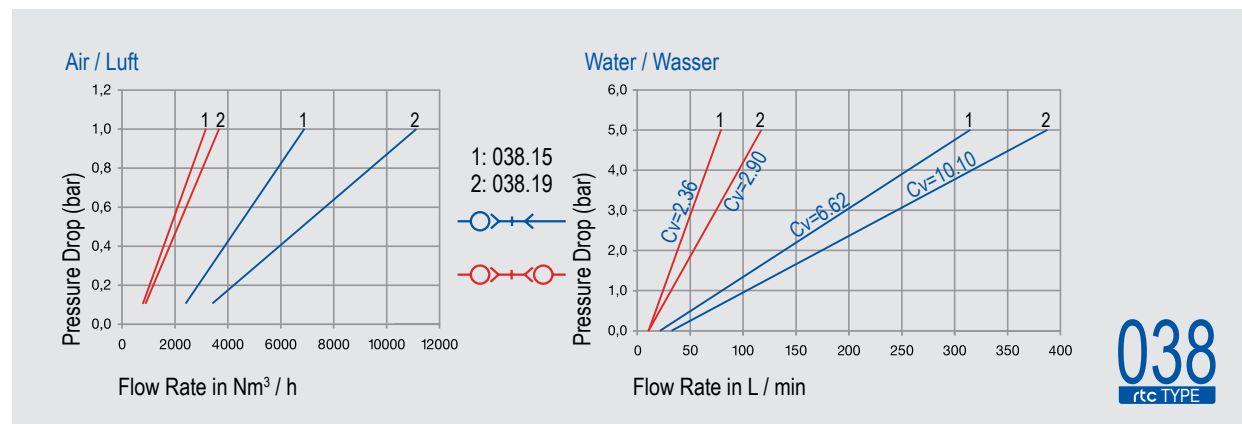
- Industrial Profile in brass
- Advantage of one hand useage.
- High performance valve with increased flow rate and minimised pressure loss.
- Anti-corrosive

Technische Daten und Vorteile

- Messing Industrieprofil.
- Ventil mit hohem Durchfluss und geringem Druckverlust.
- Vorteil durch Einhandbedienung.
- Korrosionsbeständig.



Flow Rate vs Pressure Drop Graph



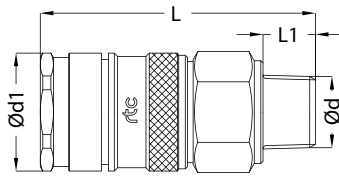
038
rtc TYPE




rtc TYPE 038

Male thread socket / Kupplung mit Aussengewinde



Sockets / Kupplungen



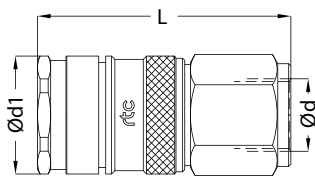
Size / Größe	Order No / Bestellnr. 	Order No / Bestellnr. 	Order No / Bestellnr. 	Ød	Ød1	L	L1	HEX.
15	038.15 SRB 17	038.15 SRO 17	038.15 SRF 17	BSP 3/8	40	89	12	34
	038.15 SRB 21	038.15 SRO 21	038.15 SRF 21	BSP 1/2	40	93	16	34
	038.15 SRB 26	038.15 SRO 26	038.15 SRF 26	BSP 3/4	40	93	19	41
19	038.19 SRB 26	038.19 SRO 26	038.19 SRF 26	BSP 3/4	46	95	20	41
	038.19 SRB 33	038.19 SRO 33	038.19 SRF 33	BSP 1	46	98	22	41
	038.19 SRB 42	038.19 SRO 42	038.19 SRF 42	BSP 1-1/4	46	98	22	46




rtc TYPE 038

Female thread socket / Kupplung mit Innengewinde



Sockets / Kupplungen



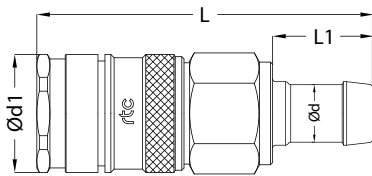
Size / Größe	Order No / Bestellnr. 	Order No / Bestellnr. 	Order No / Bestellnr. 	Ød	Ød1	L	HEX.
15	038.15 SFB 17	038.15 SFO 17	038.15 SFF 17	BSP 3/8	40	89	34
	038.15 SFB 21	038.15 SFO 21	038.15 SFF 21	BSP 1/2	40	91	34
	038.15 SFB 26	038.15 SFO 26	038.15 SFF 26	BSP 3/4	40	91	41
19	038.19 SFB 26	038.19 SFO 26	038.19 SFF 26	BSP 3/4	46	99	41
	038.19 SFB 33	038.19 SFO 33	038.19 SFF 33	BSP 1	46	100	41
	038.19 SFB 42	038.19 SFO 42	038.19 SFF 42	BSP 1-1/4	46	105	50




rtc TYPE 038

Standard hose tail socket / Kupplung mit gerader Standard - Schlauchtülle



Sockets / Kupplungen



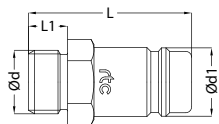
Size / Größe	Order No / Bestellnr. 	Order No / Bestellnr. 	Order No / Bestellnr. 	Ød	Ød1	L	HEX.
15	038.15 SHB 13	038.15 SHO 13	038.15 SHF 13	13 mm	40	105	28
	038.15 SHB 16	038.15 SHO 16	038.15 SHF 16	16 mm	40	113	36
	038.15 SHB 19	038.15 SHO 19	038.15 SHF 19	19 mm	40	113	36
	038.15 SHB 25	038.15 SHO 25	038.15 SHF 25	25 mm	40	113	36
19	038.19 SHB 16	038.19 SHO 16	038.19 SHF 16	16 mm	46	115	36
	038.19 SHB 19	038.19 SHO 19	038.19 SHF 19	19 mm	46	115	36
	038.19 SHB 25	038.19 SHO 25	038.19 SHF 25	25 mm	46	125	48


rtc TYPE 038

Male thread plug / Nippel mit Aussengewinde



Plugs / Nippel



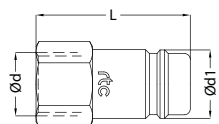
Size / Größe	Order No / Bestellnr. 	Ød	Ød1	L	L1	HEX.
15	038.15 PMF 21	BSP 1/2	23	54	13	24
	038.15 PMF 26	BSP 3/4	23	58	16	27
	038.15 PMF 33	BSP 1	23	63	19	36
19	038.19 PMF 26	BSP 3/4	28	60	13	30
	038.19 PMF 33	BSP 1	28	65	19	34
	038.19 PMF 42	BSP 1-1/4	28	68	22	46


rtc TYPE 038

Female thread plug / Nippel mit Innengewinde



Plugs / Nippel



Size / Größe	Order No / Bestellnr. 	Ød	Ød1	L	HEX.
15	038.15 PFF 21	BSP 1/2	23	49	24
	038.15 PFF 26	BSP 3/4	23	54	30
	038.15 PFF 33	BSP 1	23	60	41
19	038.19 PFF 26	BSP 3/4	28	56	32
	038.19 PFF 33	BSP 1	28	64	41
	038.19 PFF 42	BSP 1-1/4	28	68	50



Standard hose tail plug / Nippel mit gerader Standard - Schlauchtülle

TYPE 038 **rtc**

Plugs / Nippel	Size / Größe	Order No / Bestellnr. 	Ød	Ød1	L	HEX.
	15	038.15 PHF 16	16 mm	23	71	33
		038.15 PHF 19	19 mm	23	71	33
		038.15 PHF 25	25 mm	23	71	33
	19	038.19 PHF 16	16 mm	28	72	33
		038.19 PHF 19	19 mm	28	72	33
		038.19 PHF 25	25 mm	28	72	33



Male thread plug with valve / Nippel mit Aussengewinde mit Ventil

TYPE 038 **rtc**

Plugs / Nippel	Size / Größe	Order No / Bestellnr. 	Ød	Ød1	L	L1	HEX.
	15	038.15 PMB 21	BSP 1/2	23	85	13	34
		038.15 PMB 26	BSP 3/4	23	87	16	34
		038.15 PMB 33	BSP 1	23	87	19	41
	19	038.19 PMB 26	BSP 3/4	28	92	16	41
		038.19 PMB 33	BSP 1	28	95	19	41
		038.19 PMB 42	BSP 1-1/4	28	96	19	46



Female thread plug with valve / Nippel mit Innengewinde mit Ventil

TYPE 038 **rtc**

Plugs / Nippel	Size / Größe	Order No / Bestellnr. 	Ød	Ød1	L	HEX.
	15	038.15 PFB 21	BSP 1/2	23	87	34
		038.15 PFB 26	BSP 3/4	23	87	34
		038.15 PFB 33	BSP 1	23	97	41
	19	038.19 PFB 26	BSP 3/4	28	96	41
		038.19 PFB 33	BSP 1	28	97	41
		038.19 PFB 42	BSP 1-1/4	28	102	50



Standard hose tail plug with valve / Nippel mit gerader Standard - Schlauchtülle mit Ventil

TYPE 038 **rtc**

Plugs / Nippel	Size / Größe	Order No / Bestellnr. 	Ød	Ød1	L	HEX.
	15	038.15 PHB 13	13 mm	23	103	28
		038.15 PHB 16	16 mm	23	109	36
		038.15 PHB 19	19 mm	23	109	36
		038.15 PHB 25	25 mm	23	105	36
	19	038.15 PHB 16	16 mm	28	114	36
		038.15 PHB 19	19 mm	28	114	36
		038.15 PHB 25	25 mm	28	124	48



rtc[®]

COUPLING TECHNOLOGY



045

rtc TYPE



FREE FLOW TYPE



Temperature Range - Temperaturbereich

Nitrile (N)	-20°C + 100°C (-4°F + 212°F)
FPM (V)	-20°C + 180°C (-4°F + 356°F)

Flow size - Nennweiten

rtc 045.04	4 mm
rtc 045.06	7 mm
rtc 045.10	10 mm
rtc 045.13	13 mm
rtc 045.19	19 mm
rtc 045.25	25 mm
rtc 045.32	32 mm
rtc 045.38	38 mm

Material of Standard Coupler
Material für die Standardversion

Socket body - Kupplungsgrundkörper	Brass - Messing
Sleeve - Hülse	Brass - Messing
Springs - Federn	Stainless Steel - Edelstahl
Locking Ring - Sprenging	Stainless Steel - Edelstahl
Balls - Kugeln	Stainless Steel - Edelstahl
Seals - Dichtungen	Nitrile (N)

Plug - Nippel Brass - Messing

Material of Steel Coupler
Material für die Stahlversion

Socket body - Kupplungsgrundkörper	Steel nickel plated - Stahl Nickel beschichtet
Sleeve - Hülse	Steel nickel plated - Stahl Nickel beschichtet
Springs - Federn	Stainless Steel - Edelstahl
Locking Ring - Sprenging	Stainless Steel - Edelstahl
Balls - Kugeln	Stainless Steel - Edelstahl
Seals - Dichtungen	Nitrile (N)

Plug - Nippel Steel nickel plated -
Stahl Nickel beschichtet

Max. Working Pressure - Max. Betriebsdruck

Please Check the table below / Bitte Tabelle beachten

Applications

- High Pressure water
- Steam Washer
- Water, Oil and Air connections
- High Flow Fluid Passages

Attention

Only plug and socket with the same thread fit together

Material of Stainless Steel Coupler
Material für die Edelstahlversion

Socket body - Kupplungsgrundkörper	Stainless Steel - Edelstahl
Sleeve - Hülse	Stainless Steel - Edelstahl
Springs - Federn	Stainless Steel - Edelstahl
Locking Ring - Sprenging	Stainless Steel - Edelstahl
Balls - Kugeln	Stainless Steel - Edelstahl
Seals - Dichtungen	FPM (V)

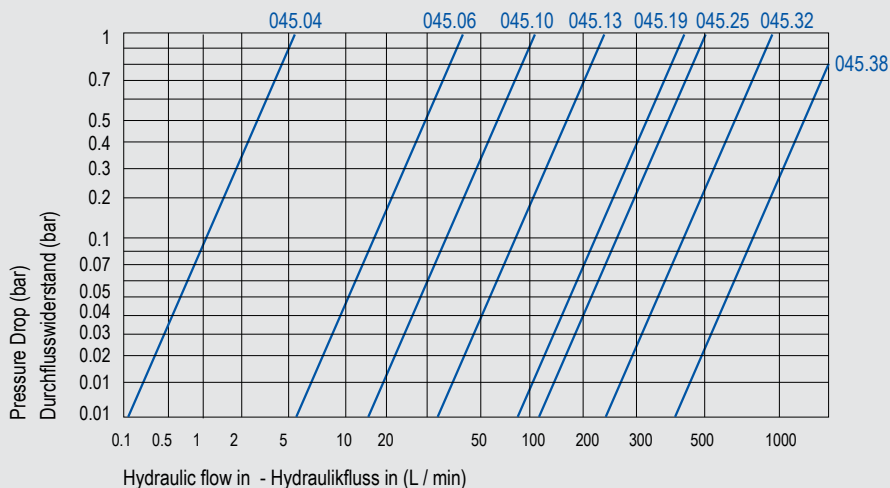
Plug - Nippel Stainless Steel -
Edelstahl



Working Pressure / Betriebsdruck

Body Size / Größe		Brass - Messing		Steel - Stahl		Stainless steel - Edelstahl (AISI 303 / AISI 316)	
		Bar	PSI	Bar	PSI	Bar	PSI
045.04	BSP 1/8	175	2550	330	4800	290	4200
045.06	BSP 1/4	360	5200	520	7500	465	6700
045.10	BSP 3/8	175	2550	415	6000	380	5500
045.13	BSP 1/2	175	2550	240	3500	210	3000
045.19	BSP 3/4	120	1750	240	3500	210	3000
045.25	BSP 1	85	1250	140	2000	120	1750
045.32	BSP 1 -1/4	120	1750	175	2550	140	2000
045.38	BSP 1 -1/2	105	1550	150	2250	125	1800

Flow Rate vs Pressure Drop Graph

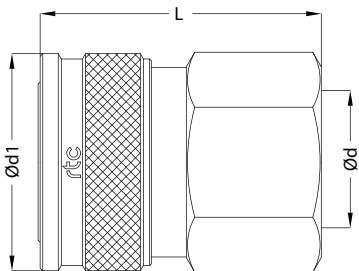


045
rtc TYPE

rtc TYPE 045

Female thread socket / Kupplung mit Innengewinde

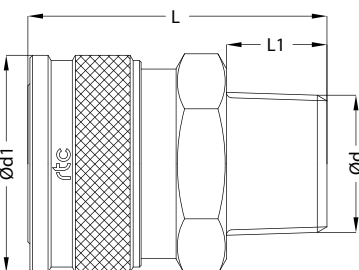


Sockets / Kupplungen	Size / Größe	Order No Brass Bestellnr. Messing	Order No Steel Bestellnr. Stahl	Order No AISI 303 Bestellnr. AISI 303	Ød	Ød1	L	HEX
	04	045.04 SFF 10-MS	045.04 SFF 10-ST	045.04 SFF 10-S3	BSP 1/8	16	25	14
		045.04 SNF 10-MS	045.04 SNF 10-ST	045.04 SNF 10-S3	NPT 1/8	16	25	14
	06	045.06 SFF 13-MS	045.06 SFF 13-ST	045.06 SFF 13-S3	BSP 1/4	24	37	21
		045.06 SNF 13-MS	045.06 SNF 13-ST	045.06 SNF 13-S3	NPT 1/4	24	37	21
	10	045.10 SFF 17-MS	045.10 SFF 17-ST	045.10 SFF 17-S3	BSP 3/8	28	40	24
		045.10 SNF 17-MS	045.10 SNF 17-ST	045.10 SNF 17-S3	NPT 3/8	28	40	24
	13	045.13 SFF 21-MS	045.13 SFF 21-ST	045.13 SFF 21-S3	BSP 1/2	32	50	27
		045.13 SNF 21-MS	045.13 SNF 21-ST	045.13 SNF 21-S3	NPT 1/2	32	50	27
	19	045.19 SFF 26-MS	045.19 SFF 26-ST	045.19 SFF 26-S3	BSP 3/4	40	54	36
		045.19 SNF 26-MS	045.19 SNF 26-ST	045.19 SNF 26-S3	NPT 3/4	40	54	36
	25	045.25 SFF 33-MS	045.25 SFF 33-ST	045.25 SFF 33-S3	BSP 1	50	60	41
		045.25 SNF 33-MS	045.25 SNF 33-ST	045.25 SNF 33-S3	NPT 1	50	60	41
	32	045.32 SFF 42-MS	045.32 SFF 42-ST	045.32 SFF 42-S3	BSP 1-1/4	60	62	50
		045.32 SNF 42-MS	045.32 SNF 42-ST	045.32 SNF 42-S3	NPT 1-1/4	60	62	50
38	045.38 SFF 48-MS	045.38 SFF 48-ST	045.38 SFF 48-S3	BSP 1-1/2	79	74	65	
	045.38 SNF 48-MS	045.38 SNF 48-ST	045.38 SNF 48-S3	NPT 1-1/2	79	74	65	

rtc TYPE 045

Male thread socket / Kupplung mit Aussengewinde



Sockets / Kupplungen	Size / Größe	Order No Brass Bestellnr. Messing	Order No Steel Bestellnr. Stahl	Order No AISI 303 Bestellnr. AISI 303	Ød	Ød1	L	L1	HEX
	04	045.04 SRF 10-MS	045.04 SRF 10-ST	045.04 SRF 10-S3	BSPT 1/8	16	27	9	14
		045.04 STF 10-MS	045.04 STF 10-ST	045.04 STF 10-S3	NPT 1/8	16	27	9	14
	06	045.06 SRF 13-MS	045.06 SRF 13-ST	045.06 SRF 13-S3	BSPT 1/4	24	40	12	21
		045.06 STF 13-MS	045.06 STF 13-ST	045.06 STF 13-S3	NPT 1/4	24	40	12	21
	10	045.10 SRF 17-MS	045.10 SRF 17-ST	045.10 SRF 17-S3	BSPT 3/8	28	43	12	24
		045.10 STF 17-MS	045.10 STF 17-ST	045.10 STF 17-S3	NPT 3/8	28	43	12	24
	13	045.13 SRF 21-MS	045.13 SRF 21-ST	045.13 SRF 21-S3	BSPT 1/2	32	51	17	27
		045.13 STF 21-MS	045.13 STF 21-ST	045.13 STF 21-S3	NPT 1/2	32	51	17	27
	19	045.19 SRF 26-MS	045.19 SRF 26-ST	045.19 SRF 26-S3	BSPT 3/4	40	57	19	36
		045.19 STF 26-MS	045.19 STF 26-ST	045.19 STF 26-S3	NPT 3/4	40	57	19	36
	25	045.25 SRF 33-MS	045.25 SRF 33-ST	045.25 SRF 33-S3	BSPT 1	50	65	23	41
		045.25 STF 33-MS	045.25 STF 33-ST	045.25 STF 33-S3	NPT 1	50	65	23	41
	32	045.32 SRF 42-MS	045.32 SRF 42-ST	045.32 SRF 42-S3	BSPT 1-1/4	60	78	24	50
		045.32 STF 42-MS	045.32 STF 42-ST	045.32 STF 42-S3	NPT 1-1/4	60	78	24	50
38	045.38 SRF 48-MS	045.38 SRF 48-ST	045.38 SRF 48-S3	BSPT 1-1/2	79	80	25	65	
	045.38 STF 48-MS	045.38 STF 48-ST	045.38 STF 48-S3	NPT 1-1/2	79	80	25	65	

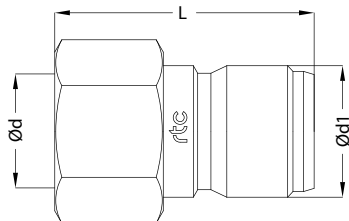


Female thread plug / Nippel mit Innengewinde

TYPE 045



Plug / Nippel	Size / Größe	Order No Brass Bestellnr. Messing	Order No Steel Bestellnr. Stahl	Order No AISI 303 Bestellnr. AISI 303	Ød	Ød1	L	HEX
	04	045.04 PFF 10-MS	045.04 PFF 10-ST	045.04 PFF 10-S3	BSP 1/8	8	24	14
		045.04 PNF 10-MS	045.04 PNF 10-ST	045.04 PNF 10-S3	NPT 1/8	8	24	14
	06	045.06 PFF 13-MS	045.06 PFF 13-ST	045.06 PFF 13-S3	BSP 1/4	12	36	17
		045.06 PNF 13-MS	045.06 PNF 13-ST	045.06 PNF 13-S3	NPT 1/4	12	36	17
	10	045.10 PFF 17-MS	045.10 PFF 17-ST	045.10 PFF 17-S3	BSP 3/8	15	42	22
		045.10 PNF 17-MS	045.10 PNF 17-ST	045.10 PNF 17-S3	NPT 3/8	15	42	22
	13	045.13 PFF 21-MS	045.13 PFF 21-ST	045.13 PFF 21-S3	BSP 1/2	18	47	24
		045.13 PNF 21-MS	045.13 PNF 21-ST	045.13 PNF 21-S3	NPT 1/2	18	47	24
	19	045.19 PFF 26-MS	045.19 PFF 26-ST	045.19 PFF 26-S3	BSP 3/4	25	49	30
		045.19 PNF 26-MS	045.19 PNF 26-ST	045.19 PNF 26-S3	NPT 3/4	25	49	30
	25	045.25 PFF 33-MS	045.25 PFF 33-ST	045.25 PFF 33-S3	BSP 1	33	60	38
		045.25 PNF 33-MS	045.25 PNF 33-ST	045.25 PNF 33-S3	NPT 1	33	60	38
	32	045.32 PFF 42-MS	045.32 PFF 42-ST	045.32 PFF 42-S3	BSP 1-1/4	42	61	50
		045.32 PNF 42-MS	045.32 PNF 42-ST	045.32 PNF 42-S3	NPT 1-1/4	42	61	50
	38	045.38 PFF 48-MS	045.38 PFF 48-ST	045.38 PFF 48-S3	BSP 1-1/2	52	72	55
		045.38 PNF 48-MS	045.38 PNF 48-ST	045.38 PNF 48-S3	NPT 1-1/2	52	72	55

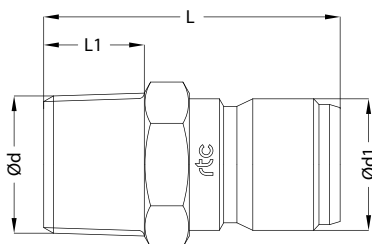


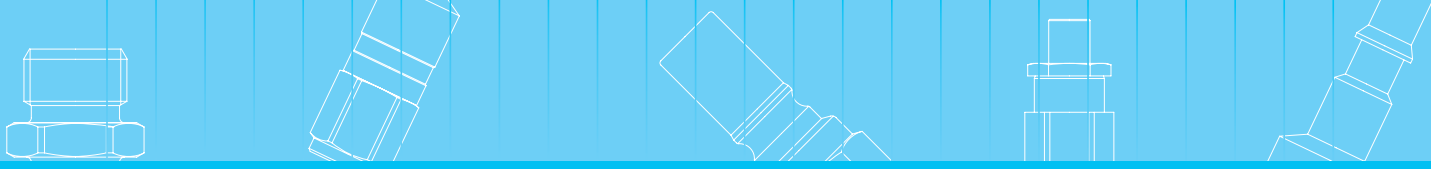
Male thread plug / Nippel mit Aussengewinde

TYPE 045



Plug / Nippel	Size / Größe	Order No Brass Bestellnr. Messing	Order No Steel Bestellnr. Stahl	Order No AISI 303 Bestellnr. AISI 303	Ød	Ød1	L	L1	HEX
	04	045.04 PRF 10-MS	045.04 PRF 10-ST	045.04 PRF 10-S3	BSPT 1/8	8	28	9	12
		045.04 PTF 10-MS	045.04 PTF 10-ST	045.04 PTF 10-S3	NPT 1/8	8	28	9	12
	06	045.06 PRF 13-MS	045.06 PRF 13-ST	045.06 PRF 13-S3	BSPT 1/4	12	39	11	14
		045.06 PTF 13-MS	045.06 PTF 13-ST	045.06 PTF 13-S3	NPT 1/4	12	39	11	14
	10	045.10 PRF 17-MS	045.10 PRF 17-ST	045.10 PRF 17-S3	BSPT 3/8	15	43	12	17
		045.10 PTF 17-MS	045.10 PTF 17-ST	045.10 PTF 17-S3	NPT 3/8	15	43	12	17
	13	045.13 PRF 21-MS	045.13 PRF 21-ST	045.13 PRF 21-S3	BSPT 1/2	18	49	17	22
		045.13 PTF 21-MS	045.13 PTF 21-ST	045.13 PTF 21-S3	NPT 1/2	18	49	17	22
	19	045.19 PRF 26-MS	045.19 PRF 26-ST	045.19 PRF 26-S3	BSPT 3/4	25	56	19	27
		045.19 PTF 26-MS	045.19 PTF 26-ST	045.19 PTF 26-S3	NPT 3/4	25	56	19	27
	25	045.25 PRF 33-MS	045.25 PRF 33-ST	045.25 PRF 33-S3	BSPT 1	33	62	22	35
		045.25 PTF 33-MS	045.25 PTF 33-ST	045.25 PTF 33-S3	NPT 1	33	62	22	35
	32	045.32 PRF 42-MS	045.32 PRF 42-ST	045.32 PRF 42-S3	BSPT 1-1/4	42	69	24	45
		045.32 PTF 42-MS	045.32 PTF 42-ST	045.32 PTF 42-S3	NPT 1-1/4	42	69	24	45
	38	045.38 PRF 48-MS	045.38 PRF 48-ST	045.38 PRF 48-S3	BSPT 1-1/2	52	84	25	55
		045.38 PTF 48-MS	045.38 PTF 48-ST	045.38 PTF 48-S3	NPT 1-1/2	52	84	25	55





rtc[®]

COUPLING TECHNOLOGY



046

rtc TYPE



Temperature Range - Temperaturbereich

Nitrile (N)	-20°C + 100°C (-4°F + 212°F)
FPM (V)	-20°C + 180°C (-4°F + 356°F)

Flow size - Nennweiten

rtc 046.06	6 mm
rtc 046.09	9 mm
rtc 046.13	13 mm
rtc 046.19	19 mm
rtc 046.25	25 mm
rtc 046.30	30 mm
rtc 046.38	38 mm
rtc 046.50	50 mm

Material of Standard Coupler
Material für die Standardversion

Socket body - Kupplungsgrundkörper	Brass - Messing
Sleeve - Hülse	Brass - Messing
Springs - Federn	Stainless Steel - Edelstahl
Locking Ring - Sprenging	Stainless Steel - Edelstahl
Balls - Kugeln	Stainless Steel - Edelstahl
Seals - Dichtungen	Nitrile (N)

Plug - Nippel Brass - Messing

Max. Working Pressure - Max. Betriebsdruck

Please Check the table below / Bitte Tabelle beachten

Material of Stainless Steel Coupler
Material für die Edelstahlversion

Socket body - Kupplungsgrundkörper	Stainless Steel - Edelstahl
Sleeve - Hülse	Stainless Steel - Edelstahl
Springs - Federn	Stainless Steel - Edelstahl
Locking Ring - Sprenging	Stainless Steel - Edelstahl
Balls - Kugeln	Stainless Steel - Edelstahl
Seals - Dichtungen	FPM (V)

Plug - Nippel Stainless Steel - Edelstahl

Material of Steel Coupler
Material für die Stahlversion

Socket body - Kupplungsgrundkörper	Steel nickel plated - Stahl Nickel beschichtet
Sleeve - Hülse	Steel nickel plated - Stahl Nickel beschichtet
Springs - Federn	Stainless Steel - Edelstahl
Locking Ring - Sprenging	Stainless Steel - Edelstahl
Balls - Kugeln	Stainless Steel - Edelstahl
Seals - Dichtungen	Nitrile (N)

Plug - Nippel Steel nickel plated -
Stahl Nickel beschichtet



Double Shut-off / Single Shut-off

Working Pressure / Betriebsdruck

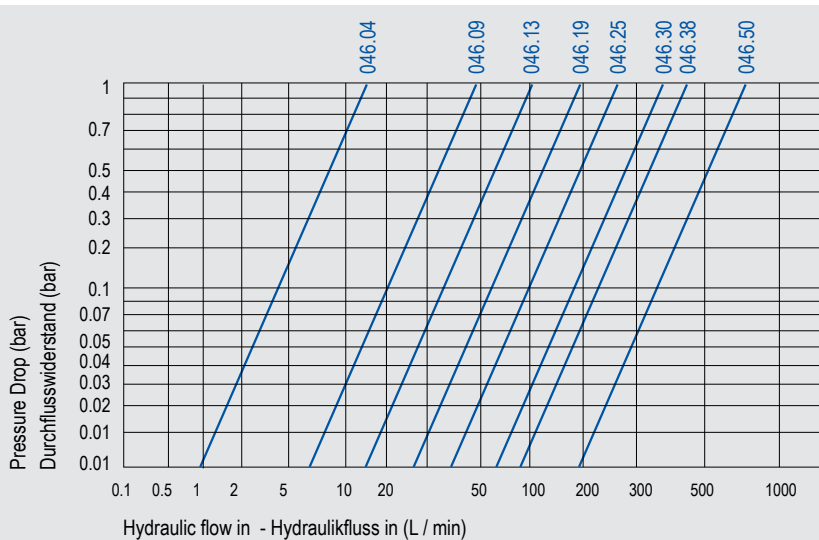
Body Size Größe	Brass - Messing		Steel - Stahl		Stainless steel Edelstahl	
	Bar	PSI	Bar	PSI	Bar	PSI
046.06	155	2.250	450	6.500	345	5.000
046.09	155	2.250	310	4.500	275	4.000
046.13	140	1.750	275	4.000	260	3.750
046.19	140	1.750	240	3.500	140	2.000
046.25	125	1.500	140	2.000	140	2.000
046.30	25	350	125	1.750	105	1.500
046.38	25	350	105	1.500	105	1.500
046.50	30	400	105	1.500	35	500

Free Flow

Working Pressure / Betriebsdruck

Body Size Größe	Brass - Messing		Steel - Stahl		Stainless steel Edelstahl	
	Bar	PSI	Bar	PSI	Bar	PSI
046.06	275	4.000	760	11.000	690	10.000
046.09	275	4.000	760	11.000	555	8.000
046.13	275	4.000	760	11.000	555	8.000
046.19	240	3.500	620	9.000	485	7.000
046.25	210	3.000	415	6.000	275	4.000
046.30	70	1.000	345	5.000	210	3.000
046.38	70	1.000	345	5.000	210	3.000
046.50	55	750	275	4.000	70	1.000

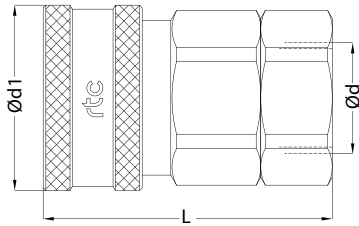
Flow Rate vs Pressure Drop Graph



046
rtc TYPE

rtc TYPE 046

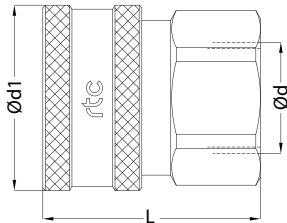
Female thread socket with valve / Kupplung mit Innengewinde mit Ventil



Sockets / Kupplungen	Size / Größe	Order No Brass Bestellnr. Messing	Order No Steel Bestellnr. Stahl	Order No AISI 303 Bestellnr. AISI 303	Ød	Ød1	L	HEX.
06		046.06 SFB 13-MS	046.06 SFB 13-ST	046.06 SFB 13-S3	BSP 1/4	25	44	22
		046.06 SNB 13-MS	046.06 SNB 13-ST	046.06 SNB 13-S3	NPT 1/4	25	44	22
09		046.09 SFB 17-MS	046.09 SFB 17-ST	046.09 SFB 17-S3	BSP 3/8	30	53	24
		046.09 SNB 17-MS	046.09 SNB 17-ST	046.09 SNB 17-S3	NPT 3/8	30	53	24
13		046.13 SFB 21-MS	046.13 SFB 21-ST	046.13 SFB 21-S3	BSP 1/2	35	55	30
		046.13 SNB 21-MS	046.13 SNB 21-ST	046.13 SNB 21-S3	NPT 1/2	35	55	30
19		046.19 SFB 26-MS	046.19 SFB 26-ST	046.19 SFB 26-S3	BSP 3/4	42	63	36
		046.19 SNB 26-MS	046.19 SNB 26-ST	046.19 SNB 26-S3	NPT 3/4	42	63	36
25		046.25 SFB 33-MS	046.25 SFB 33-ST	046.25 SFB 33-S3	BSP 1	50	68	50
		046.25 SNB 33-MS	046.25 SNB 33-ST	046.25 SNB 33-S3	NPT 1	50	70	50
30		046.30 SFB 42-MS	046.30 SFB 42-ST	046.30 SFB 42-S3	BSP 1-1/4	55	90	50
		046.30 SNB 42-MS	046.30 SNB 42-ST	046.30 SNB 42-S3	NPT 1-1/4	55	90	50
38		046.38 SFB 48-MS	046.38 SFB 48-ST	046.38 SFB 48-S3	BSP 1-1/2	69	83	60
		046.38 SNB 48-MS	046.38 SNB 48-ST	046.38 SNB 48-S3	NPT 1-1/2	69	83	60
50		046.50 SFB 60-MS	046.50 SFB 60-ST	046.50 SFB 60-S3	BSP 2	89	105	86
		046.50 SNB 60-MS	046.50 SNB 60-ST	046.50 SNB 60-S3	NPT 2	89	105	86

rtc TYPE 046

Female thread socket without valve / Kupplung mit Innengewinde ohne Ventil

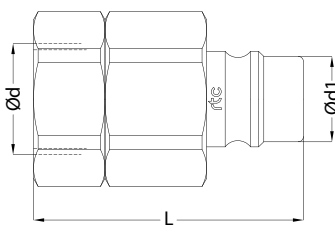


Sockets / Kupplungen	Size / Größe	Order No Brass Bestellnr. Messing	Order No Steel Bestellnr. Stahl	Order No AISI 303 Bestellnr. AISI 303	Ød	Ød1	L	HEX.
06		046.06 SFF 13-MS	046.06 SFF 13-ST	046.06 SFF 13-S3	BSP 1/4	25	34	22
		046.06 SNF 13-MS	046.06 SNF 13-ST	046.06 SNF 13-S3	NPT 1/4	25	34	22
09		046.09 SFF 17-MS	046.09 SFF 17-ST	046.09 SFF 17-S3	BSP 3/8	30	38	24
		046.09 SNF 17-MS	046.09 SNF 17-ST	046.09 SNF 17-S3	NPT 3/8	30	38	24
13		046.13 SFF 21-MS	046.13 SFF 21-ST	046.13 SFF 21-S3	BSP 1/2	35	41	30
		046.13 SNF 21-MS	046.13 SNF 21-ST	046.13 SNF 21-S3	NPT 1/2	35	41	30
19		046.19 SFF 26-MS	046.19 SFF 26-ST	046.19 SFF 26-S3	BSP 3/4	42	44	36
		046.19 SNF 26-MS	046.19 SNF 26-ST	046.19 SNF 26-S3	NPT 3/4	42	44	36
25		046.25 SFF 33-MS	046.25 SFF 33-ST	046.25 SFF 33-S3	BSP 1	50	50	50
		046.25 SNF 33-MS	046.25 SNF 33-ST	046.25 SNF 33-S3	NPT 1	50	50	50
30		046.30 SFF 42-MS	046.30 SFF 42-ST	046.30 SFF 42-S3	BSP 1-1/4	55	58	50
		046.30 SNF 42-MS	046.30 SNF 42-ST	046.30 SNF 42-S3	NPT 1-1/4	55	58	50
38		046.38 SFF 48-MS	046.38 SFF 48-ST	046.38 SFF 48-S3	BSP 1-1/2	69	66	63
		046.38 SNF 48-MS	046.38 SNF 48-ST	046.38 SNF 48-S3	NPT 1-1/2	69	66	63
50		046.50 SFF 60-MS	046.50 SFF 60-ST	046.50 SFF 60-S3	BSP 2	89	63	82
		046.50 SNF 60-MS	046.50 SNF 60-ST	046.50 SNF 60-S3	NPT 2	89	63	82



Female thread plug with valve / Nippel mit Innengewinde mit Ventil

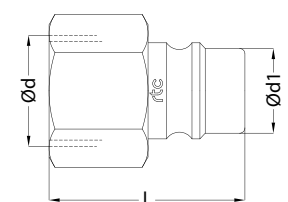
TYPE 046 

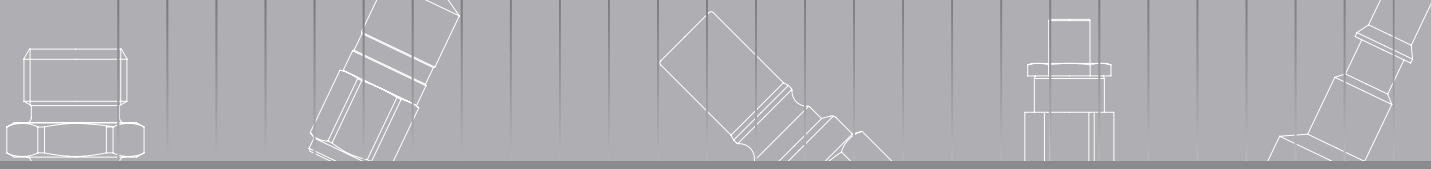
Plug / Nippel	Size / Größe	Order No Brass Bestellnr. Messing	Order No Steel Bestellnr. Stahl	Order No AISI 303 Bestellnr. AISI 303	Ød	Ød1	L	HEX.
	06	046.06 PFB 13-MS	046.06 PFB 13-ST	046.06 PFB 13-S3	BSP 1/4	11	43	22
		046.06 PNB 13-MS	046.06 PNB 13-ST	046.06 PNB 13-S3	NPT 1/4	11	43	22
	09	046.09 PFB 17-MS	046.09 PFB 17-ST	046.09 PFB 17-S3	BSP 3/8	13	52	24
		046.09 PNB 17-MS	046.09 PNB 17-ST	046.09 PNB 17-S3	NPT 3/8	13	52	24
	13	046.13 PFB 21-MS	046.13 PFB 21-ST	046.13 PFB 21-S3	BSP 1/2	16	51	30
		046.13 PNB 21-MS	046.13 PNB 21-ST	046.13 PNB 21-S3	NPT 1/2	16	51	30
	19	046.19 PFB 26-MS	046.19 PFB 26-ST	046.19 PFB 26-S3	BSP 3/4	23.5	60	36
		046.19 PNB 26-MS	046.19 PNB 26-ST	046.19 PNB 26-S3	NPT 3/4	23.5	60	36
	25	046.25 PFB 33-MS	046.25 PFB 33-ST	046.25 PFB 33-S3	BSP 1	30	66	50
		046.25 PNB 33-MS	046.25 PNB 33-ST	046.25 PNB 33-S3	NPT 1	30	68	50
	30	046.30 PFB 42-MS	046.30 PFB 42-ST	046.30 PFB 42-S3	BSP 1-1/4	36	87	50
		046.30 PNB 42-MS	046.30 PNB 42-ST	046.30 PNB 42-S3	NPT 1-1/4	36	87	50
	38	046.38 PFB 48-MS	046.38 PFB 48-ST	046.38 PFB 48-S3	BSP 1-1/2	43.5	79	50
		046.38 PNB 48-MS	046.38 PNB 48-ST	046.38 PNB 48-S3	NPT 1-1/2	43.5	79	50
	50	046.50 PFB 60-MS	046.50 PFB 60-ST	046.50 PFB 60-S3	BSP 2	57	100	86
		046.50 PNB 60-MS	046.50 PNB 60-ST	046.50 PNB 60-S3	NPT 2	57	100	86



Female thread plug without valve / Nippel mit Innengewinde ohne Ventil

TYPE 046 

Plug / Nippel	Size / Größe	Order No Brass Bestellnr. Messing	Order No Steel Bestellnr. Stahl	Order No AISI 303 Bestellnr. AISI 303	Ød	Ød1	L	HEX.
	06	046.06 PFF 13-MS	046.06 PFF 13-ST	046.06 PFF 13-S3	BSP 1/4	11	31	16
		046.06 PNF 13-MS	046.06 PNF 13-ST	046.06 PNF 13-S3	NPT 1/4	11	31	16
	09	046.09 PFF 17-MS	046.09 PFF 17-ST	046.09 PFF 17-S3	BSP 3/8	13	35	22
		046.09 PNF 17-MS	046.09 PNF 17-ST	046.09 PNF 17-S3	NPT 3/8	13	37	22
	13	046.13 PFF 21-MS	046.13 PFF 21-ST	046.13 PFF 21-S3	BSP 1/2	16	37	25
		046.13 PNF 21-MS	046.13 PNF 21-ST	046.13 PNF 21-S3	NPT 1/2	16	39	25
	19	046.19 PFF 26-MS	046.19 PFF 26-ST	046.19 PFF 26-S3	BSP 3/4	23.5	44	30
		046.19 PNF 26-MS	046.19 PNF 26-ST	046.19 PNF 26-S3	NPT 3/4	23.5	44	30
	25	046.25 PFF 33-MS	046.25 PFF 33-ST	046.25 PFF 33-S3	BSP 1	30	54	38
		046.25 PNF 33-MS	046.25 PNF 33-ST	046.25 PNF 33-S3	NPT 1	30	54	38
	30	046.30 PFF 42-MS	046.30 PFF 42-ST	046.30 PFF 42-S3	BSP 1-1/4	36	57	48
		046.30 PNF 42-MS	046.30 PNF 42-ST	046.30 PNF 42-S3	NPT 1-1/4	36	57	48
	38	046.38 PFF 48-MS	046.38 PFF 48-ST	046.38 PFF 48-S3	BSP 1-1/2	43.5	62	54
		046.38 PNF 48-MS	046.38 PNF 48-ST	046.38 PNF 48-S3	NPT 1-1/2	43.5	62	54
	50	046.50 PFF 60-MS	046.50 PFF 60-ST	046.50 PFF 60-S3	BSP 2	57	66	70
		046.50 PNF 60-MS	046.50 PNF 60-ST	046.50 PNF 60-S3	NPT 2	57	66	70



rtc[®]

COUPLING TECHNOLOGY



055

rtc TYPE



Temperature Range - Temperaturbereich

Nitrile (N) -20°C + 100°C (-4°F + 212°F)
 FPM (V) -20°C + 180°C (-4°F + 356°F)
 EPDM (Ethylene Propylene) -40°C + 150°C (-40°F + 302°F)

Max. Working Pressure - Max. Betriebsdruck

rtc 055.05 25 bar (362 PSI)
 rtc 055.07 25 bar (362 PSI)
 rtc 055.10 25 bar (362 PSI)

Flow size - Nennweite

rtc type 055.05 5.2 mm
 rtc type 055.07 7 mm
 rtc type 055.10 10.5 mm

Material of Standard Coupler

Material für die Standardversion

Socket body - Steel nickel plated -
 Kupplungsgrundkörper Stahl vernickelt
 Valve - Brass nickel plated -
 Ventil Messing vernickelt
 Springs - Federn Stainless Steel - Edelstahl
 Locking Pin - Sicherungsstift Stainless Steel - Edelstahl
 Locking Ring - Sprengring Stainless Steel - Edelstahl

Plug - Steel nickel plated -
 Nippel Stahl vernickelt

Options / Optionen	Add	Example Code
Brass Messing	MS	055.05 SFO 13-MS
Steel Stahl	ST	055.05 SFO 13-ST
Stainless Steel AISI 303 Edelstahl AISI 303	S3	055.05 SFO 13-S3
Stainless Steel AISI 316L Edelstahl AISI 316L	S6	055.05 SFO 13-S6

Material of Brass Coupler - MS Version

Material für die Messingversion - MS Version

Socket body - Brass -
 Kupplungsgrundkörper Messing
 Valve - Ventil Brass - Messing
 Springs - Federn Stainless Steel - Edelstahl
 Balls - Kugeln Stainless Steel - Edelstahl
 Locking Ring - Sprengring Stainless Steel - Edelstahl

Plug - Nippel Brass - Messing

Material of Stainless-Steel Coupler - SS Version

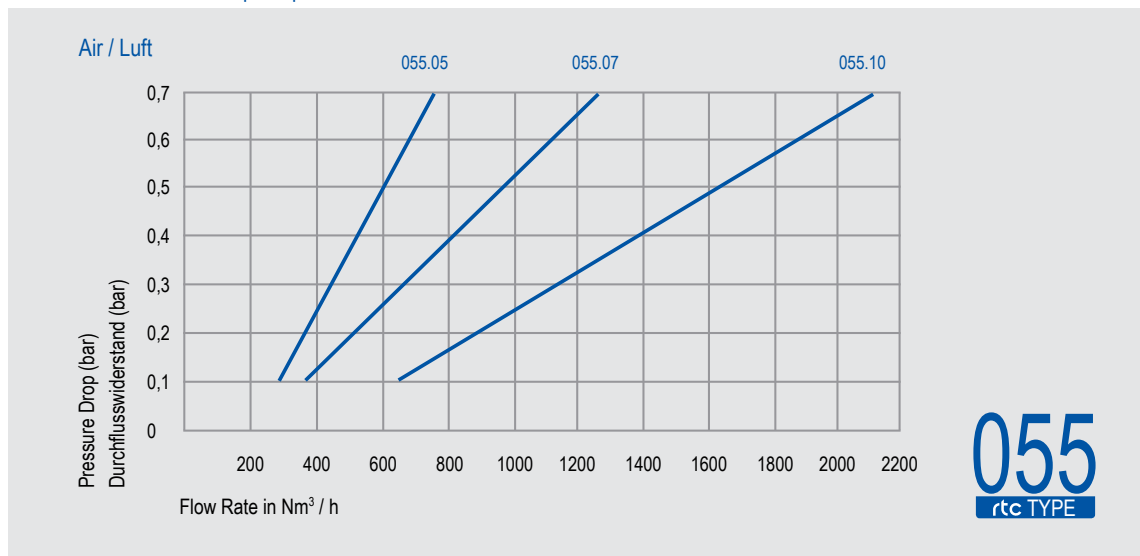
Material für die Edelstahlversion - SS Version

Socket body - Stainless Steel -
 Kupplungsgrundkörper Edelstahl
 Valve - Ventil Stainless Steel - Edelstahl
 Springs - Federn Stainless Steel - Edelstahl
 Balls - Kugeln Stainless Steel - Edelstahl
 Locking Ring - Sprengring Stainless Steel - Edelstahl

Plug - Nippel Stainless Steel - Edelstahl



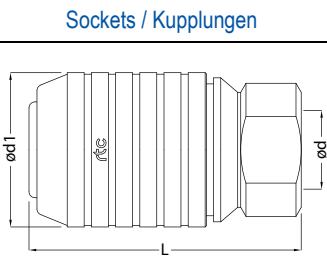
Flow Rate vs Pressure Drop Graph / Durchflussrate vs Druckabfall



055
rtc TYPE

rtc TYPE 055

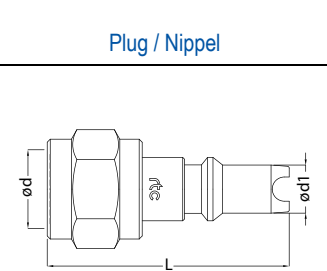
Female thread socket / Kupplung mit Innengewinde



Size Größe	Order No / Bestellnr.	Ød	Ød1	L	HEX.
05	055.05 SFO 13	BSP 1/4	25.5	45	19
05	055.05 SFO 17	BSP 3/8	25.5	45	19
07	055.07 SFO 17	BSP 3/8	28.5	54	23
10	055.10 SFO 21	BSP 1/2	33.5	61	27

rtc TYPE 055

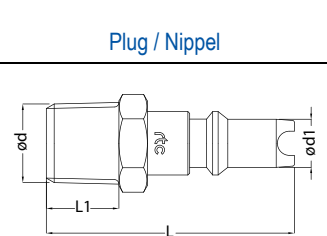
Female thread plug / Nippel mit Innengewinde



Size Größe	Order No / Bestellnr.	Ød	Ød1	L	HEX.
05	055.05 PFF 13	BSP 1/4	8	40	17
05	055.05 PFF 17	BSP 3/8	8	42	20
07	055.07 PFF 17	BSP 3/8	10.5	49	22
10	055.10 PFF 21	BSP 1/2	14.5	58	27

rtc TYPE 055

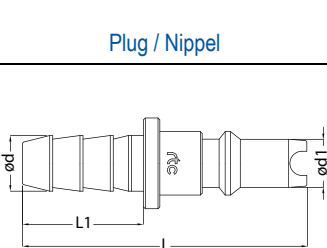
Male thread plug / Nippel mit Aussengewinde



Size Größe	Order No / Bestellnr.	Ød	Ød1	L	HEX.
05	055.05 PRF 13	BSPT 1/4	8	40	14
05	055.05 PRF 17	BSPT 3/8	8	42	17
07	055.07 PRF 17	BSPT 3/8	10.5	47	17
10	055.10 PRF 21	BSPT 1/2	14.5	55	22

rtc TYPE 055

Standard hose tail plug / Nippel mit gerader Standard - Schlauchtülle



Size Größe	Order No / Bestellnr.	Ød	Ød1	L	L1
05	055.05 PHF 08	8 mm	8	47	20
05	055.05 PHF 10	10 mm	8	52	25
07	055.07 PHF 10	10 mm	10.5	56	25
10	055.10 PHF 10	10 mm	14.5	60	25
10	055.10 PHF 12	12 mm	14.5	65	30
10	055.10 PHF 14	14 mm	14.5	65	30



rtc[®]

COUPLING TECHNOLOGY



069

rtc TYPE



Compatible - Kompatibilität
Nitto Kohki SP-A

Temperature Range - Temperaturbereich

Nitrile (N)	-20°C + 100°C (-4°F + 212°F)
FPM (V)	-20°C + 180°C (-4°F + 356°F)
EPDM (Ethylene Propylene)	-40°C + 150°C (-40°F + 302°F)
CR (Neopren)	-40°C + 100°C (-40°F + 212°F)

Working Pressure - Betriebsdruck
On the table / Siehe Tabelle pg 118

Flow size - Nennweiten

rtc 069.04	4 mm
rtc 069.08	8 mm
rtc 069.10	10 mm
rtc 069.13	13 mm
rtc 069.16	16 mm
rtc 069.19	19 mm
rtc 069.25	25 mm
rtc 069.32	32 mm
rtc 069.38	38 mm

Material of Standard Coupler
Material für die Standardversion

Socket body - Kupplungsgrundkörper	Brass - Messing
Sleeve - Hülse	Brass - Messing
Springs - Federn	Stainless Steel - Edelstahl
Locking Ring - Sprenging	Stainless Steel - Edelstahl
Balls - Kugeln	Stainless Steel - Edelstahl
Seals - Dichtungen	Nitrile (N)

Plug - Nippel Brass - Messing

Material of Steel Coupler
Material für die Stahlversion

Socket body - Kupplungsgrundkörper	Steel nickel plated - Stahl Nickel beschichtet
Sleeve - Hülse	Steel nickel plated - Stahl Nickel beschichtet
Springs - Federn	Stainless Steel - Edelstahl
Locking Ring - Sprenging	Stainless Steel - Edelstahl
Balls - Kugeln	Stainless Steel - Edelstahl
Seals - Dichtungen	Nitrile (N)

Plug - Nippel Steel nickel plated -
Stahl Nickel beschichtet

Advantages

- High Flow
- For all types of media
- Medium pressure

Vorteil

- Hohe Durchflussrate
- Für alle Medien geeignet
- Mittlerer Druckbereich

Applications

- Connection of hydraulic pumps, valves and quick tool change.
- Aluminium die casting.
- Test benches.
- Plastic industry tool changing.
- Steel industry.

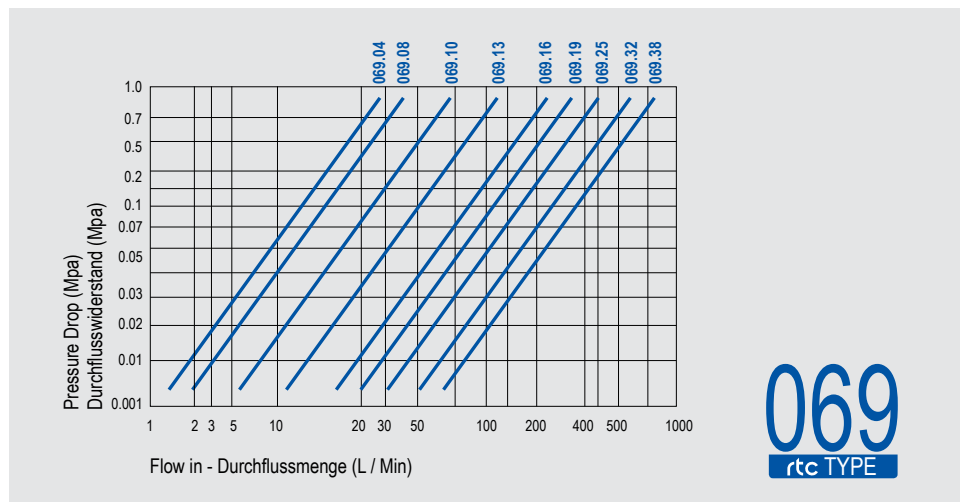
Anwendungen

- Verbindung von Hydraulikpumpen und Ventile für schnellen Werkzeugwechsel
- Aluminiumdruckguss
- Prüfstände
- Werkzeugwechsel in der Kunststoffindustrie
- Stahlindustrie

Options / Optionen	Add	Example Code
Stainless Steel AISI 316L Edelstahl AISI 316L	S6	069.06 SFB 13-S6
Steel Stahl	ST	069.06 SFB 13-ST



Flow Rate vs Pressure Drop Graph



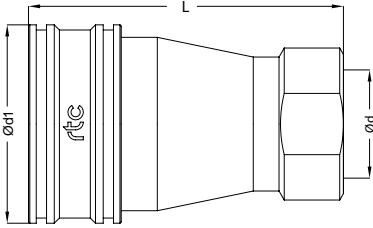
069
rtc TYPE

rtc TYPE 069

Female thread socket / Kupplung mit Innengewinde



Socket / Kupplung



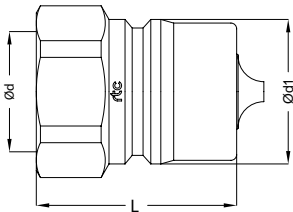
Size / Größe	Order No / Bestellnr. With Valve / Mit Ventil	Order No / Bestellnr. Without Valve / Ohne Ventil	Ød	Ød1	L	HEX.
04	069.04 SFB 10	069.04 SFF 10	BSP 1/8	24	48	14
08	069.08 SFB 13	069.08 SFF 13	BSP 1/4	28	58	19
10	069.10 SFB 17	069.10 SFF 17	BSP 3/8	35	65	21
13	069.13 SFB 21	069.13 SFF 21	BSP 1/2	42	71.5	27
16	069.16 SFB 26	069.16 SFF 26	BSP 3/4	55	88	35
19	069.19 SFB 33	069.19 SFF 33	BSP 1	65	102	41
25	069.25 SFB 42	069.25 SFF 42	BSP 1-1/4	77	115	54
32	069.32 SFB 48	069.32 SFF 48	BSP 1-1/2	122	122	70
38	069.38 SFB 60	069.38 SFF 60	BSP 2	166	166	71

rtc TYPE 069

Female thread plug / Nippel mit Innengewinde



Plug / Nippel



Size / Größe	Order No / Bestellnr. With Valve / Mit Ventil	Order No / Bestellnr. Without Valve / Ohne Ventil	Ød	Ød1	L	HEX.
04	069.04 PFB 10	069.04 PFF 10	BSP 1/8	12	29	14
08	069.08 PFB 13	069.08 PFF 13	BSP 1/4	16	36	17
10	069.10 PFB 17	069.10 PFF 17	BSP 3/8	20	40	21
13	069.13 PFB 21	069.13 PFF 21	BSP 1/2	25.5	44	27
16	069.16 PFB 26	069.16 PFF 26	BSP 3/4	33	52	35
19	069.19 PFB 33	069.19 PFF 33	BSP 1	40.5	62	41
25	069.25 PFB 42	069.25 PFF 42	BSP 1-1/4	50.5	70	55
32	069.32 PFB 48	069.32 PFF 48	BSP 1-1/2	57.5	72	60
38	069.38 PFB 60	069.38 PFF 60	BSP 2	70	101	75

rtc TYPE 069

Technical Specifications



Working Pressure / Betriebsdruck

Body Size / Größe		Brass - Messing		Steel - Stahl		Stainless steel - Edelstahl (AISI 303 / AISI 316)	
		Bar	PSI	Bar	PSI	Bar	PSI
069.04	BSP 1/8	50	725	75	1090	75	1090
069.08	BSP 1/4	50	725	75	1090	75	1090
069.10	BSP 3/8	50	725	75	1090	75	1090
069.13	BSP 1/2	30	435	45	655	45	655
069.16	BSP 3/4	30	435	45	655	45	655
069.19	BSP 1	30	435	45	655	45	655
069.25	BSP 1-1/4	20	290	30	435	30	435
069.32	BSP 1-1/2	20	290	30	435	30	435
069.38	BSP 2	15	218	20	290	20	290



rtc[®]

COUPLING TECHNOLOGY



070

rtc TYPE



Coupling for Water, Hydraulic and Pneumatic Usages / ISO 7241-1 TYPE B ISO B

TYPE 070



Compatible - Kompatibilität
ISO 7241-1 TYPE B ISO B

Temperature Range - Temperaturbereich

Nitrile (N)	-20°C + 100°C (-4°F + 212°F)
FPM (V)	-20°C + 180°C (-4°F + 356°F)
EPDM (Ethylene Propylene)	-40°C + 150°C (-40°F + 302°F)
CR (Neopren)	-40°C + 100°C (-40°F + 212°F)

Working Pressure - Betriebsdruck
On the table / Siehe Tabelle pg 123

Flow size - Nennweiten
Ø 4 - Ø 50

Standard version - Standardversion
Seals - Dichtung : Nitrile (N)

Auf Anfrage in Edelstahl
AISI 303, AISI 316TI und POM (DELTRIN) Materialien

Material of Standard Coupler
Material für die Standardversion

Socket body - Kupplungsgrundkörper	Brass - Messing
Sleeve - Hülse	Brass - Messing
Springs - Federn	Stainless Steel - Edelstahl
Locking Ring - Sprenging	Stainless Steel - Edelstahl
Balls - Kugeln	Stainless Steel - Edelstahl
Seals - Dichtungen	Nitrile (N)

Plug - Nippel Brass - Messing

Material of Steel Coupler
Material für die Stahlversion

Socket body - Kupplungsgrundkörper	Steel nickel plated - Stahl Nickel beschichtet
Sleeve - Hülse	Steel nickel plated - Stahl Nickel beschichtet
Springs - Federn	Stainless Steel - Edelstahl
Locking Ring - Sprenging	Stainless Steel - Edelstahl
Balls - Kugeln	Stainless Steel - Edelstahl
Seals - Dichtungen	Nitrile (N)

Plug - Nippel Steel nickel plated -
Stahl Nickel beschichtet

Functions

If the socket and plug valves seal instantly, automatically shutting off fluid flow to prevent leakage. If the socket and plug valves push together, opening to permit free flow of fluid through coupler. O-ring in the socket seals the plug surface preventing any leakage.

Funktionen

Wenn Kupplung und Nippel entkuppelt werden, verschliessen die Ventildichtungen sofort automatisch und ein Auslaufen der Flüssigkeiten wird verhindert. Der O-Ring in dem Nippelventil an der Nippeloberfläche verhindert jegliche Leckage.

Applications

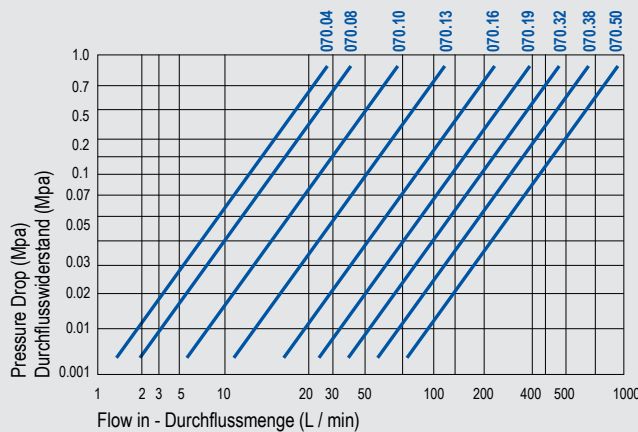
- High pressure hydraulic circuits.
- Connection of hydraulic pumps, valves and quick tool change.
- Aluminium die casting.
- Test benches.
- Plastic industry tool changing.
- Steel industry.

Anwendungen

- Hochdruck-Hydraulikkreisläufe
- Verbindung von Hydraulikpumpen und Ventile für schnellen Werkzeugwechsel
- Aluminiumdruckguss
- Prüfstände
- Werkzeugwechsel in der Kunststoffindustrie
- Stahlindustrie



Flow Rate vs Pressure Drop Graph



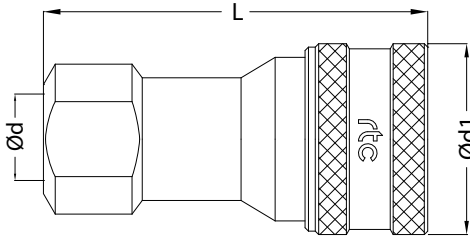
070
rtc TYPE

rtc TYPE 070 ISO 7241-1 TYPE B ISO B

Female thread socket / Kupplung mit Innengewinde



Sockets / Kupplungen



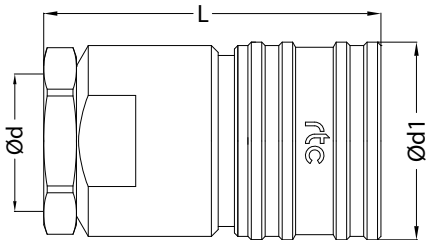
Size / Größe	Order No / Bestellnr. With Valve / Mit Ventil	Order No / Bestellnr. Without Valve / Ohne Ventil	Ød	Ød1	L	HEX.
4	070.04 SFB 10	070.04 SFF 10	BSP 1/8	25	49	14
8	070.08 SFB 13	070.08 SFF 13	BSP 1/4	29	58	19
10	070.10 SFB 17	070.10 SFF 17	BSP 3/8	35	64	22
13	070.13 SFB 21	070.13 SFF 21	BSP 1/2	44	74	27
16	070.16 SFB 26	070.16 SFF 26	BSP 3/4	53	94	36
19	070.19 SFB 33	070.19 SFF 33	BSP 1	60	106	41

rtc TYPE 070 ISO 7241-1 TYPE B ISO B

Female thread socket / Kupplung mit Innengewinde



Sockets / Kupplungen



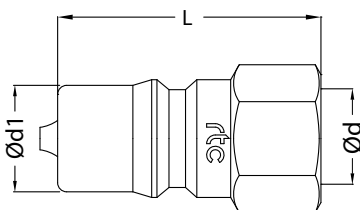
Size / Größe	Order No / Bestellnr. With Valve / Mit Ventil	Order No / Bestellnr. Without Valve / Ohne Ventil	Ød	Ød1	L	HEX.
32	070.32 SFB 33	070.32 SFF 33	BSP 1	70	114	60
32	070.32 SFB 42	070.32 SFF 42	BSP 1-1/4	70	114	60
32	070.32 SFB 48	070.32 SFF 48	BSP 1-1/2	70	114	60
38	070.38 SFB 42	070.38 SFF 42	BSP 1-1/4	75	126	65
38	070.38 SFB 48	070.38 SFF 48	BSP 1-1/2	75	126	65
50	070.50 SFB 60	070.50 SFF 60	BSP 2	105	142	90
50	070.50 SFB 75	070.50 SFF 75	BSP 2-1/2	110	167	100

rtc TYPE 070 ISO 7241-1 TYPE B ISO B

Female thread plug / Nippel mit Innengewinde



Plug / Nippel

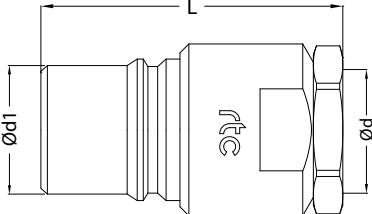


Size / Größe	Order No / Bestellnr. With Valve / Mit Ventil	Order No / Bestellnr. Without Valve / Ohne Ventil	Ød	L	HEX.
4	070.04 PFB 10	070.04 PFF 10	BSP 1/8	30	14
8	070.08 PFB 13	070.08 PFF 13	BSP 1/4	35	19
10	070.10 PFB 17	070.10 PFF 17	BSP 3/8	39	22
13	070.13 PFB 21	070.13 PFF 21	BSP 1/2	46	27
16	070.16 PFB 26	070.16 PFF 26	BSP 3/4	60	36
19	070.19 PFB 33	070.19 PFF 33	BSP 1	65	41



Technical Specifications

TYPE 070 

Plug / Nippel	Size / Größe	Order No / Bestellnr. With Valve / Mit Ventil	Order No / Bestellnr. Without Valve / Ohne Ventil	Ød	L	HEX.
	32	070.32 PFB 33	070.32 PFF 33	BSP 1	114	60
	32	070.32 PFB 42	070.32 PFF 42	BSP 1-1/4	114	60
	32	070.32 PFB 48	070.32 PFF 48	BSP 1-1/2	114	60
	38	070.38 PFB 42	070.38 PFF 42	BSP 1-1/4	126	65
	38	070.38 PFB 48	070.38 PFF 48	BSP 1-1/2	126	65
	50	070.50 PFB 60	070.50 PFF 60	BSP 2	142	90
	50	070.50 PFB 75	070.50 PFF 75	BSP 2-1/2	167	100

Technical Specifications

TYPE 070 

Working Pressure / Betriebsdruck							
Body Size / Größe		Brass - Messing		Steel - Stahl		Stainless steel - Edelstahl (AISI 303 / AISI 316)	
		Bar	PSI	Bar	PSI	Bar	PSI
070.04	BSP 1/8	210	3045	300	4350	300	4350
070.08	BSP 1/4	185	2685	300	4350	300	4350
070.10	BSP 3/8	150	2200	280	4050	280	4050
070.13	BSP 1/2	160	2320	280	4050	280	4050
070.16	BSP 3/4	138	2000	250	3625	250	3625
070.19	BSP 1	105	1500	230	3350	230	3350
070.32	BSP 1 -1/4	85	1250	120	1750	120	1750
070.38	BSP 1 -1/2	105	1500	150	2175	150	2175
070.50	BSP 2	50	725	104	4200	104	4200



rtc[®]

COUPLING TECHNOLOGY



071

rtc TYPE



Compatible - Kompatibilität
Snap-Tite 71

Temperature Range - Temperaturbereich
-20°C +100°C (-4°F +212°F) Nitril (N)
-10°C +180°C (+14°F +356°F) FPM (V)

Max. Working Pressure - Max. Betriebsdruck
On the table / Siehe Tabelle pg 126

Flow size - Nennweiten

rtc 071.06	6 mm
rtc 071.09	9 mm
rtc 071.13	13 mm
rtc 071.19	19 mm
rtc 071.25	25 mm
rtc 071.30	30 mm

Material of Stainless Steel Coupler
Material für die Edelstahlversion

Socket body - Kupplungsgrundkörper	Stainless Steel - Edelstahl
Sleeve - Hülse	Stainless Steel - Edelstahl
Springs - Federn	Stainless Steel - Edelstahl
Locking Ring - Sprengring	Stainless Steel - Edelstahl
Balls - Kugeln	Stainless Steel - Edelstahl
Seals - Dichtungen	Nitrile (N)

Plug - Nippel Stainless Steel - Edelstahl

Material of Steel Coupler
Material für die Stahlversion

Socket body - Kupplungsgrundkörper	Steel nickel plated - Stahl Nickel beschichtet
Sleeve - Hülse	Steel nickel plated - Stahl Nickel beschichtet
Springs - Federn	Stainless Steel - Edelstahl
Locking Ring - Sprengring	Stainless Steel - Edelstahl
Balls - Kugeln	Stainless Steel - Edelstahl
Seals - Dichtungen	Nitrile (N)

Plug - Nippel Steel nickel plated -
Stahl Nickel beschichtet

Advantages

- High Flow
- Flat Face
- Stainless Steel version
- High Pressure Stainless Steel version
- Heavy Duty

Vorteil

- Hohe Durchflussrate
- Flat Face
- Edelstahl Ausführung
- Hochdruck-Edelstahl Ausführung
- Schwere Ausführung

Applications

- Connection of hydraulic pumps, valves and quick tool change.
- Aluminium die casting.
- Test benches.
- Plastic industry tool changing.
- Steel industry.

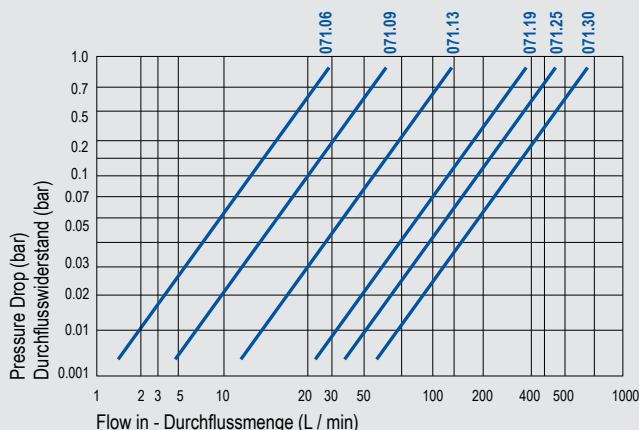
Anwendungen

- Verbindung von Hydraulikpumpen und Ventile für schnellen Werkzeugwechsel
- Aluminiumdruckguss
- Prüfstände
- Werkzeugwechsel in der Kunststoffindustrie
- Stahlindustrie



Options / Optionen	Add	Example Code
Steel Stahl	ST	071.06 SFB 13- ST
Stainless Steel AISI 316L Edelstahl AISI 316L	S6	071.06 SFB 13- S6
High Pressure Stainless Steel Edelstahl AISI 303	SH6	071.06 SFB 13- SH6

Flow Rate vs Pressure Drop Graph



071
rtc TYPE

rtc TYPE 071

Female thread socket / Kupplung mit Innengewinde



Socket / Kupplung

Size / Größe

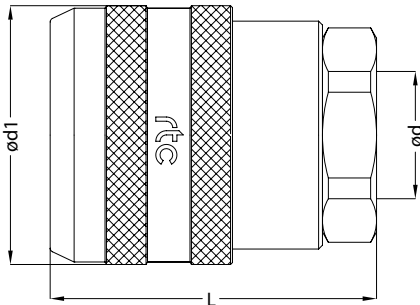
Order No / Bestellnr.

Ød

Ød1

L

HEX.



06	071.06 SFB 13	BSP 1/4	30	50	23
	071.06 SNB 13	NPT 1/4	30	50	23
09	071.09 SFB 17	BSP 3/8	40	60	30
	071.09 SNB 17	NPT 3/8	40	60	30
13	071.13 SFB 21	BSP 1/2	48	70	38
	071.13 SNB 21	NPT 1/2	48	70	38
19	071.19 SFB 26	BSP 3/4	57	77.5	44
	071.19 SNB 26	NPT 3/4	57	77.5	44
25	071.25 SFB 33	BSP 1	67	84.5	50
	071.25 SNB 33	NPT 1	67	84.5	50
30	071.30 SFB 42	BSP 1-1/4	67	93	50
	071.30 SNB 42	NPT 1-1/4	67	93	50

rtc TYPE 071

Female thread socket / Kupplung mit Innengewinde



Socket / Kupplung

Size / Größe

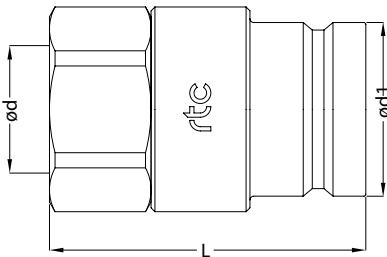
Order No / Bestellnr.

Ød

Ød1

L

HEX.



06	071.06 PFB 13	BSP 1/4	30	50	23
	071.06 PNB 13	NPT 1/4	30	50	23
09	071.09 PFB 17	BSP 3/8	40	60	30
	071.09 PNB 17	NPT 3/8	40	60	30
13	071.13 PFB 21	BSP 1/2	48	70	38
	071.13 PNB 21	NPT 1/2	48	70	38
19	071.19 PFB 26	BSP 3/4	57	77.5	44
	071.19 PNB 26	NPT 3/4	57	77.5	44
25	071.25 PFB 33	BSP 1	67	84.5	50
	071.25 PNB 33	NPT 1	67	84.5	50
30	071.30 PFB 42	BSP 1-1/4	67	93	50
	071.30 PNB 42	NPT 1-1/4	67	93	50

rtc TYPE 071

Technical Specifications



Working Pressure / Betriebsdruck

Body Size / Größe		High Pressure Stainless Steel Hochdruck Edelstahl		Steel nickel plated Stahl Nickel beschichtet		Standard Stainless steel Standart Edelstahl	
		Bar	PSI	Bar	PSI	Bar	PSI
071.06	1/4	690	10.000	690	10.000	345	5.000
071.09	3/8	690	10.000	690	10.000	345	5.000
071.13	1/2	690	10.000	690	10.000	345	5.000
071.19	3/4	515	7.500	515	7.500	345	5.000
071.25	1	515	7.500	515	7.500	275	4.000
071.30	1-1/4	515	7.500	515	7.500	275	4.000



rtc[®]

COUPLING TECHNOLOGY



072

rtc TYPE



Compatible - Kompatibilität
ISO 16028

Temperature Range - Temperaturbereich
-20°C +100°C (-4°F +212°F) Nitril (N)
-10°C +180°C (+14°F +356°F) FPM (V)

Max. Working Pressure - Max. Betriebsdruck

rtc 072.05	400 bar (5800 PSI)
rtc 072.06	400 bar (5800 PSI)
rtc 072.10	375 bar (5450 PSI)
rtc 072.12	350 bar (3625 PSI)
rtc 072.16	350 bar (5075 PSI)
rtc 072.19	300 bar (4350 PSI)
rtc 072.25	250 bar (4350 PSI)

Flow size - Nennweiten

rtc 072.05	5 mm
rtc 072.06	6 mm
rtc 072.10	10 mm
rtc 072.12	12 mm
rtc 072.16	16 mm
rtc 072.19	19 mm
rtc 072.25	25 mm

Material

Socket Body- Kupplungsgrundkörper	Steel zinc plated - Stahl verzinkt
Sleeve - Hülse	Steel zinc plated - Stahl verzinkt
Valve - Ventil	Steel zinc plated - Stahl verzinkt
Springs - Federn	Stainless steel - Edelstahl
Seal - Dichtung	Nitrile (N)
Balls - Kugeln	Stainless steel - Edelstahl

Plug - Nippel Steel zinc plated - Stahl verzinkt

Using Area

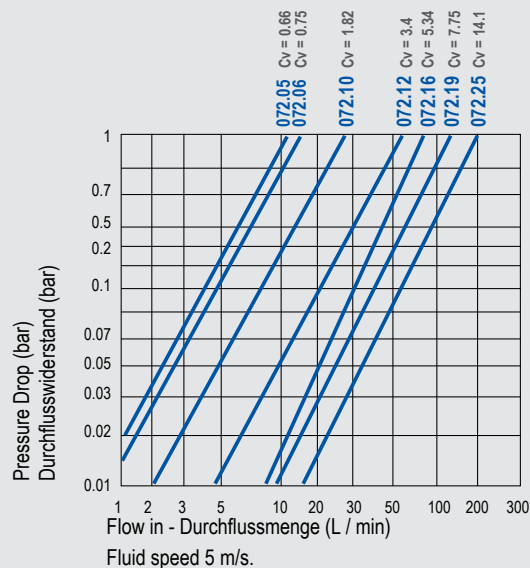
- The system perfectly fits to the ISO 16028 requirements.
- On hydraulic oil circuits
- Hydraulic test units
- Injection moulding industries / core pullers

Anwendungsbereiche

- Anforderungen von ISO 16028
- Hydraulische Verbindungen
- Hydraulik Prüfstände
- Kunststoffindustrie / Kernzüge



Flow Rate vs Pressure Drop Graph / Durchflussrate vs Druckabfall

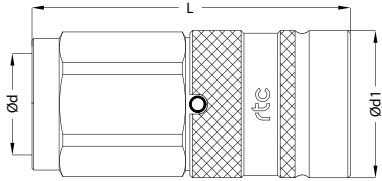


072
rtc TYPE

rtc TYPE 072 ISO 16028

Female thread socket / Kupplung mit Innengewinde

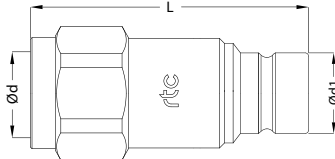


Socket / Kupplung	Size / Größe	Order No / Bestellnr.	Ød	Ød1	L	HEX.
	05	072.05 SFB 10	BSP 1/8	20	40	19
		072.05 SNB 10	NPT 1/8	20	40	19
	06	072.06 SFB 13	BSP 1/4	28	58	27
		072.06 SNB 13	NPT 1/4	28	58	27
	10	072.10 SFB 17	BSP 3/8	32	69	30
		072.10 SNB 17	NPT 3/8	32	69	30
		072.10 SFB 21	BSP 1/2	32	74	30
		072.10 SNB 21	NPT 1/2	32	74	30
	12	072.12 SFB 21	BSP 1/2	38	84	36
		072.12 SNB 21	NPT 1/2	38	84	36
	16	072.16 SFB 26	BSP 3/4	42	84	41
		072.16 SNB 26	NPT 3/4	42	84	41
	19	072.19 SFB 33	BSP 1	46	99	46
		072.19 SNB 33	NPT 1	46	99	46
	25	072.25 SFB 33	BSP 1	55	118	55
		072.25 SNB 33	NPT 1	55	118	55

rtc TYPE 072 ISO 16028

Female thread plug / Nippel mit Innengewinde



Plugs / Nippel	Size / Größe	Order No / Bestellnr.	Ød	Ød1	L	HEX.
	05	072.05 PFB 10	BSP 1/8	11.5	35	17
		072.05 PNB 10	NPT 1/8	11.5	35	17
	06	072.06 PFB 13	BSP 1/4	16	54	22
		072.06 PNB 13	NPT 1/4	16	54	22
	10	072.10 PFB 17	BSP 3/8	20	60	27
		072.10 PNB 17	NPT 3/8	20	60	27
		072.10 PFB 21	BSP 1/2	20	63	27
		072.10 PNB 21	NPT 1/2	20	63	27
	12	072.12 PFB 21	BSP 1/2	24.5	71	36
		072.12 PNB 21	NPT 1/2	24.5	71	36
	16	072.16 PFB 26	BSP 3/4	27	73	36
		072.16 PNB 26	NPT 3/4	27	73	36
	19	072.19 PFB 33	BSP 1	30	85	46
		072.19 PNB 33	NPT 1	30	85	46
	25	072.25 PFB 33	BSP 1	36	90	50
		072.25 PNB 33	NPT 1	36	90	50



rtc[®]

COUPLING TECHNOLOGY



074

rtc TYPE

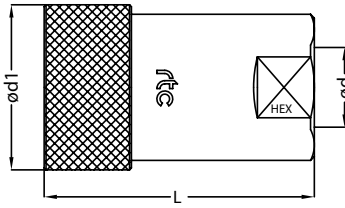


rtc TYPE 074

Female thread socket / Kupplung mit Innengewinde



Socket / Kupplung



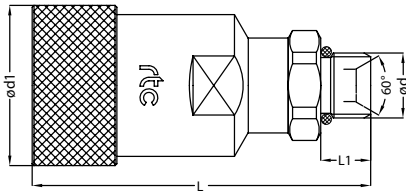
Size / Größe	Order No / Bestellnr. With Valve / Mit Ventil	Order No / Bestellnr. Without Valve / Ohne Ventil	Ød	Ød1	L	HEX.
06	074.06 SQB 13	074.06 SQF 13	BSPT 1/4	27.5	49	19
10	074.10 SQB 17	074.10 SQF 17	BSPT 3/8	33	60	23
13	074.13 SQB 21	074.13 SQF 21	BSPT 1/2	43	72	35
16	074.16 SQB 26	074.16 SQF 26	BSPT 3/4	43	72	35
19	074.19 SQB 33	074.19 SQF 33	BSPT 1	58	93	46
25	074.25 SQB 42	074.25 SQF 42	BSPT 1-1/4	87	138	58
32	074.32 SQB 48	074.32 SQF 48	BSPT 1-1/2	87	138	58
37	074.37 SQB 60	074.37 SQF 60	BSPT 2	123	198	80

rtc TYPE 074

Male thread socket / Kupplung mit Aussengewinde



Socket / Kupplung



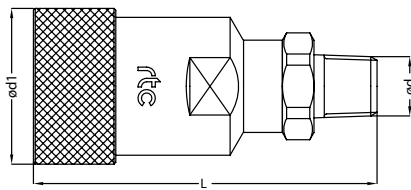
Size / Größe	Order No / Bestellnr.	Ød	Ød1	L	L1	HEX.
06	074.06 SOB 13	BSP 1/4	27.5	65	11.5	19
10	074.10 SOB 17	BSP 3/8	33	77.5	13	23
13	074.13 SOB 21	BSP 1/2	43	87.5	14.5	29
16	074.16 SOB 26	BSP 3/4	43	90	16.5	32

rtc TYPE 074

Male conical thread socket / Kupplung mit Aussengewinde konisch



Socket / Kupplung



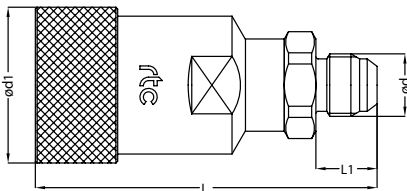
Size / Größe	Order No / Bestellnr.	Ød	Ød1	L	L1	HEX.
06	074.06 SRB 13	BSPT 1/4	27.5	66	11.5	19
10	074.10 SRB 17	BSPT 3/8	33	77.5	13	23
13	074.13 SRB 21	BSPT 1/2	43	90	14.5	29
16	074.16 SRB 26	BSPT 3/4	43	93	16.5	32

rtc TYPE 074

UNF Male thread socket with 37° sealing cone / Kupplung mit UNF Aussengewinde 37° Dichtkonus



Socket / Kupplung



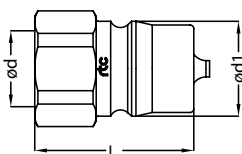
Size / Größe	Order No / Bestellnr.	Ød	Ød1	L	L1	HEX.
06	074.06 SJB 1319	BSP 1/4-19	27.5	65	11.5	19
10	074.10 SJB 1719	BSP 3/8-19	33	77.5	13	23
13	074.13 SJB 2114	BSP 1/2-14	43	87.5	14.5	29
16	074.16 SJB 2614	BSP 3/4-14	43	90	16.5	32

rtc TYPE 074

Female thread plug / Nippel mit Innengewinde



Plugs / Nippel



Size / Größe	Order No / Bestellnr. With Valve / Mit Ventil	Order No / Bestellnr. Without Valve / Ohne Ventil	Ød	Ød1	L	HEX.
06	074.06 PQB 13	074.06 PQF 13	BSPT 1/4	16	32	19
10	074.10 PQB 17	074.10 PQF 17	BSPT 3/8	20	38	23
13	074.13 PQB 21	074.13 PQF 21	BSPT 1/2	26	44	29
16	074.16 PQB 26	074.16 PQF 26	BSPT 3/4	30	50	32
19	074.19 PQB 33	074.19 PQF 33	BSPT 1	39	61	41
25	074.25 PQB 42	074.25 PQF 42	BSPT 1-1/4	56	80	58
32	074.32 PQB 48	074.32 PQF 48	BSPT 1-1/2	56	80	58
37	074.37 PQB 60	074.37 PQF 60	BSPT 2	53.5	115	90



Male thread plug / Nippel mit Aussengewinde

TYPE 074



Plugs / Nippel

Size / Größe

Order No / Bestellnr.

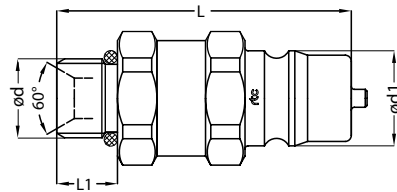
Ød

Ød1

L

L1

HEX.



06	074.06 POB 13	BSP 1/4	16	48	11.5	19
10	074.10 POB 17	BSP 3/8	20	55.5	13	23
13	074.13 POB 21	BSP 1/2	26	60.5	14.5	29
16	074.16 POB 26	BSP 3/4	30	63.5	16.5	32



Male conical thread plug / Nippel mit Aussengewinde konisch

TYPE 074



Plug / Nippel

Size / Größe

Order No / Bestellnr.

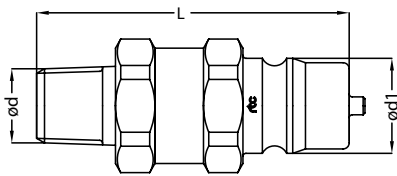
Ød

Ød1

L

L1

HEX.



06	074.06 PRB 13	BSPT 1/4	16	49	11.5	19
10	074.10 PRB 17	BSPT 3/8	20	55.5	13	23
13	074.13 PRB 21	BSPT 1/2	26	63	14.5	29
16	074.16 PRB 26	BSPT 3/4	30	66	16.5	32



UNF Male thread plug with 37° sealing cone / Nippel mit UNF Aussengewinde 37° Dichtkonus

TYPE 074



Plugs / Nippel

Size / Größe

Order No / Bestellnr.

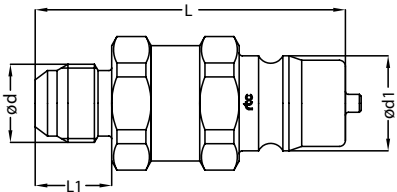
Ød

Ød1

L

L1

HEX.



06	074.06 PJB 1319	BSP 1/4-19	16	48	11.5	19
10	074.10 PJB 1719	BSP 3/8-19	20	55.5	13	23
13	074.13 PJB 2114	BSP 1/2-14	26	60.5	14.5	29
16	074.16 PJB 2614	BSP 3/4-14	30	63.5	16.5	32

Compatible - Kompatibilität
Cejn 115

Temperature Range - Temperaturbereich

Nitrile (N) -20°C + 100°C (-4°F + 212°F)

Working Pressure - Betriebsdruck

1,000 Bar (100 MPa - 14,503PSI)

Flow size - Nennweite

rtc type 080.04 4.0 mm

Standard Seal - Standarddichtung

Nitrile (N)

Material of Standard Coupler / Material für die Standardversion

Socket body	Steel zinc nickel plated -
Kupplungsgrundkörper	Stahl zink nickel beschichtet
Sleeve	Hardened Steel zinc nickel plated-
Hülse	Gehärteter Stahl zink nickel beschichtet
Springs - Federn	Stainless Steel - Edelstahl
Locking Ring - Sprengring	Stainless Steel - Edelstahl
Balls - Kugeln	Stainless Steel - Edelstahl
Plug - Nippel	Hardened Steel zinc nickel plated -
	Gehärteter Stahl zink nickel beschichtet

Technical Specifications & Advantages

- Ultimate High Pressure (UHP) dripless hydraulic coupling.
- Plug and Coupler has plastic dust cup in order to increase the service life.
- Dripless connection and disconnection
- Aluminium Dust cap is also available.
- Uninterchangeable sister coupling is also available in order to avoid any mis-connection. (rtc 082.04)

Technische Spezifikationen & Vorteile

- Ultimative Hochdruck (UH) tropflos Hydraulikkupplung
- Nippel und Kupplung verfügen über Kunststoff-Staubschutzkappe, um die Lebensdauer zu erhöhen.
- Tropflose Verbindung und Trennung.
- Aluminium-Staubkappe ist ebenfalls verfügbar.
- Schwester-Kupplung rtc 082.04 ist für unaustauschbare Nutzungsbedürfnisse.

Additional Optional Codes

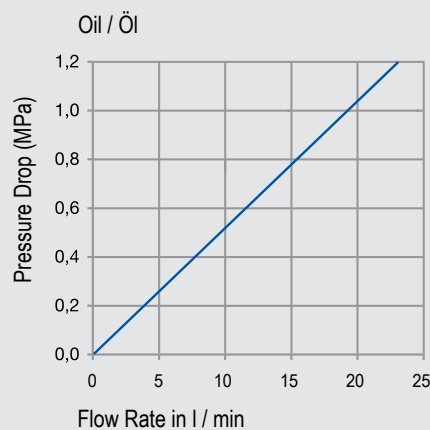
- For Coupling
 - Plastic dust cap: 080.04 SD 00
 - Aluminium dust cap: 080.04 SD 00-AL
- For Plug
 - Plastic dust cap: 080.04 PD 00
 - Aluminium dust cap: 080.04 PD 00-AL

Zusätzlich optionale Codes

- Für Kupplung
 - Kunststoff-Schutzkappe: 080.04 SD 00
 - Aluminium-Schutzkappe: 080.04 SD 00-AL
- Für Nippel
 - Kunststoff-Schutzkappe: 080.04 PD 00
 - Aluminium-Schutzkappe: 080.04 PD 00-AL



Flow Rate vs Pressure Drop Graph



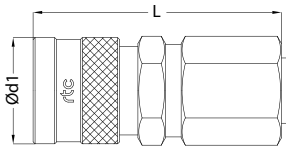
080
rtc TYPE



Female thread socket / Kupplung mit Innengewinde

TYPE 080



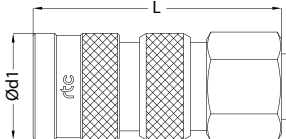
Socket / Kupplung	Size / Größe	Order No / Bestellnr.	Ød	Ød1	L	HEX.
	04	080.04 SFB 10	BSP 1/8	28	55.5	24
		080.04 SFB 13	BSP 1/4	28	63	24
		080.04 SFB 17	BSP 3/8	28	63	24
		080.04 SNB 10	NPT 1/8	28	56	24
		080.04 SNB 13	NPT 1/4	28	58	24
		080.04 SNB 17	NPT 3/8	28	59	24
		080.04 SQB 13	BSPT 1/4	28	59	24
		080.04 SQB 13	BSPT 3/8	28	60	24



SAFETY type female thread socket / Kupplung mit Innengewinde

TYPE 080



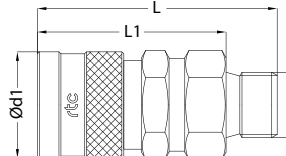
Socket / Kupplung	Size / Größe	Order No / Bestellnr.	Ød	Ød1	L	HEX
	04	080.04 SFB 13-S	BSP 1/4	28	63	24
		080.04 SNB 13-S	NPT 1/4	28	58	24



Male thread socket / Kupplung mit Aussengewinde

TYPE 080



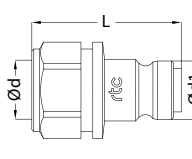
Socket / Kupplung	Size / Größe	Order No / Bestellnr.	Ød	Ød1	L	L1	HEX.
	04	080.04 SMB 13	BSP 1/4	28	60	48	24
		080.04 SMB 17	BSP 3/8	28	61	48	24
		080.04 STB 13	NPT 1/4	28	60	48	24
		080.04 STB 17	NPT 3/8	28	61	48	24



Female thread plug / Nippel mit Innengewinde

TYPE 080



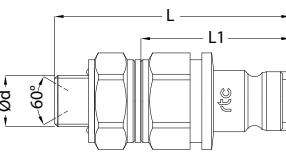
Plug / Nippel	Size / Größe	Order No / Bestellnr.	Ød	Ød1	L	HEX.
	04	080.04 PFB 10	BSP 1/8	14.9	33.5	22
		080.04 PFB 13	BSP 1/4	14.9	38	22
		080.04 PFB 17	BSP 3/8	14.9	39.5	22
		080.04 PNB 10	NPT 1/8	14.9	33.5	22
		080.04 PNB 13	NPT 1/4	14.9	36	22
		080.04 PNB 17	NPT 3/8	14.9	37	22
		080.04 PQB 13	BSPT 1/4	14.9	37	22
		080.04 PQB 13	BSPT 3/8	14.9	38	22



Male thread plug with 60° inner conical / Nippel mit Aussengewinde mit 60° Innenkonus

TYPE 080



Plug / Nippel	Size / Größe	Order No / Bestellnr.	Ød	Ød1	L	L1	HEX.
	04	080.04 PMB 13	BSP 1/4	14.9	50	49	22
		080.04 PMB 17	BSP 3/8	14.9	62	49	22
		080.04 PTB 10	NPT 1/8	14.9	51	49	22
		080.04 PTB 13	NPT 1/4	14.9	61.5	49	22
		080.04 PTB 17	NPT 3/8	14.9	62	49	22
		080.04 PRB 13	BSPT 1/4	14.9	62.5	49	22
		080.04 PRB 17	BSPT 3/8	14.9	63	49	22

Compatible - Kompatibilität

Cejn 116

Temperature Range - Temperaturbereich

Nitrile (N) -20°C + 100°C (-4°F + 212°F)

Working Pressure - Betriebsdruck

1,500 Bar (150 MPa - 21,755PSI)

Flow size - Nennweite

rtc type 081.03 3.0 mm

Standard Seal - Standarddichtung

Nitrile (N)

Material of Standard Coupler / Material für die Standardversion

Socket body Kupplungsgrundkörper	Steel zinc nickel plated - Stahl zink vernickelt
Sleeve Hülse	Hardened Steel tenifer treatment Gehärteter Stahl teneferiert
Springs - Federn	Stainless Steel - Edelstahl
Locking Ring - Sprengring	Stainless Steel - Edelstahl

Plug - Nippel	Steel with tenifer treatment - Stahl teneferiert
------------------	---

Technical Specifications & Advantages

- Ultimate High Pressure (UHP) dripless hydraulic coupling.
- Plug and Coupler has plastic dust cap in order to increase the service life.
- Dripless connection and disconnection
- Aluminium Dust cap is also available.

Technische Spezifikationen & Vorteile

- Ultimative Hochdruck (UH) tropflos Hydraulikkupplung
- Nippel und Kupplung verfügen über Kunststoff-Staubschutzkappe, um die Lebensdauer zu erhöhen.
- Tropflose Verbindung und Trennung.
- Aluminium-Staubkappe ist ebenfalls verfügbar.

Additional Optional Codes

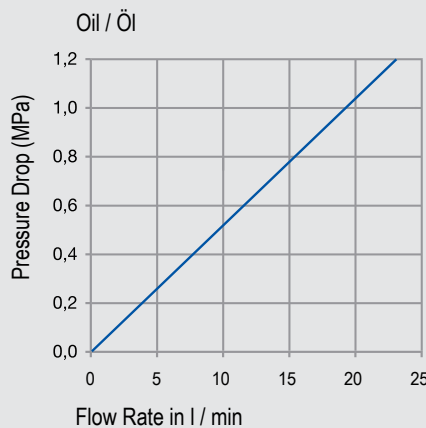
- **For Coupling**
 - For Stainless Steel Coupling with Chemical Nickel Plated Sleeve, Please add "KN" at the end of the order no
- Example code:** 081.03 SFB 13-KN
 - Plastic dust cap: 081.03 SD 00
 - Aluminium dust cap: 081.03 SD 00-AL
- **For Plug**
 - For Stainless Steel Valve with Chemical Nickel Plated Plug Body, Please add "KN" at the end of the order no
- Example code:** 081.03 PFB 13-KN
 - Plastic dust cap: 081.03 PD 00
 - Aluminium dust cap: 081.03 SD 00-AL

Zusätzlich optionale Codes

- **Für Kupplung**
 - Für rostfreie Edelstahl-Kupplung mit chemisch vernickelter Hülle, bitte am Ende der Bestellnummer mit "KN" bezeichnen.
- Beispielcode:** 081.03 SFB 13-KN
 - Kunststoff-Schutzkappe: 081.03 SD 00
 - Aluminium-Schutzkappe: 081.03 SD 00-AL
- **Für Nippel**
 - Für rostfreie Edelstahl-Kupplung mit chemisch vernickelter Hülle, bitte am Ende der Bestellnummer mit "KN" bezeichnen.
- Beispielcode:** 081.03 PFB 13-KN
 - Kunststoff-Schutzkappe: 081.03 PD 00
 - Aluminium-Schutzkappe: 081.03 PD 00-AL



Flow Rate vs Pressure Drop Graph



081
rtc TYPE



Female thread socket / Kupplung mit Innengewinde

TYPE 081 **rtc**

Socket / Kupplung	Size / Größe	Order No / Bestellnr.	Ød	Ød1	L	HEX.
	03	081.03 SFB 13	BSP 1/4	28	63	24
		081.03 SNB 13	NPT 1/4	28	58	24
		081.03 SFB 13-S6	BSP 1/4	28	63	24



Female thread socket 90° / Kupplung mit Innengewinde 90°

TYPE 081 **rtc**

Socket / Kupplung	Size / Größe	Order No / Bestellnr.	Ød	Ød1	L	HEX.
	03	081.03 SFB 13-90	BSP 1/4	28	67.5	24



SAFETY type female thread socket / Kupplung mit Innengewinde

TYPE 081 **rtc**

Socket / Kupplung	Size / Größe	Order No / Bestellnr.	Ød	Ød1	L	HEX.
	03	081.03 SFB 13S	BSP 1/4	28	63	24
		081.03 SNB 13S	NPT 1/4	28	58	24
		081.03 SFB 13S-S6	BSP 1/4	28	63	24



Female thread plug / Nippel mit Innengewinde

TYPE 081 **rtc**

Plug / Nippel	Size / Größe	Order No / Bestellnr.	Ød	Ød1	L	HEX.
	03	081.03 PFB 13	BSP 1/4	14.9	38	22
		081.03 PNB 13	NPT 1/4	14.9	36	22
		081.03 PFB 13-S6	BSP 1/4	14.9	38	22



Male thread plug with rubber metal seal / Nippel mit Aussengewinde mit Metall-Dichtung

TYPE 081 **rtc**

Plug / Nippel	Size / Größe	Order No / Bestellnr.	Ød	Ød1	L	L1	HEX.
	03	081.03 POB 13-00	BSP 1/4	14.9	63.5	49.5	22



Male thread plug with 60° inner conical / Nippel mit Aussengewinde mit 60° Innenkonus

TYPE 081 **rtc**

Plug / Nippel	Size / Größe	Order No / Bestellnr.	Ød	Ød1	L	L1	HEX.
	03	081.03 PMB 13	BSP 1/4	14.9	63.5	49.5	22

Compatible - Kompatibilität
Cejn 117

Temperature Range - Temperaturbereich

Nitrile (N) -20°C + 100°C (-4°F + 212°F)

Working Pressure - Betriebsdruck

1,000 Bar (100 MPa - 14,503PSI)

Flow size - Nennweite

rtc type 082.04 4.0 mm

Standard Seal - Standarddichtung

Nitrile (N)

Material of Standard Coupler / Material für die Standardversion

Socket body	Steel zinc nickel plated -
Kupplungsgrundkörper	Stahl zink nickel beschichtet
Sleeve	Hardened Steel zinc nickel plated-
Hülse	Gehärteter Stahl zink nickel beschichtet
Springs - Federn	Stainless Steel - Edelstahl
Locking Ring - Sprenging	Stainless Steel - Edelstahl
Balls - Kugeln	Stainless Steel - Edelstahl

Plug - Nippel	Hardened Steel zinc nickel plated -
	Gehärteter Stahl zink nickel beschichtet

Material of Stainless Steel Coupler / Material für die Edelstahlversion

Socket body	Stainless Steel -
Kupplungsgrundkörper	Edelstahl
Sleeve - Hülse	Stainless Steel - Edelstah
Springs - Federn	Stainless Steel - Edelstahl
Locking Ring - Sprenging	Stainless Steel - Edelstahl

Plug - Nippel	Stainless Steel - Edelstahl
---------------	-----------------------------

Technical Specifications & Advantages

- Ultimate High Pressure (UHP) dripless hydraulic coupling.
- Plug and Coupler has plastic dust cup in order to increase the service life.
- Dripless connection and disconnection
- Aluminium Dust cap is also available.
- Uninterchangeable sister coupling is also available in order to avoid any mis-connection. (rtc 080.04)

Technische Spezifikationen & Vorteile

- Ultimative Hochdruck (UH) tropflos Hydraulikkupplung
- Nippel und Kupplung verfügen über Kunststoff-Staubschutzkappe, um die Lebensdauer zu erhöhen.
- Tropflose Verbindung und Trennung.
- Aluminium-Staubkappe ist ebenfalls verfügbar.
- Schwester-Kupplung rtc 080.04 ist für unaustauschbare Nutzungsbedürfnisse.

Additional Optional Codes

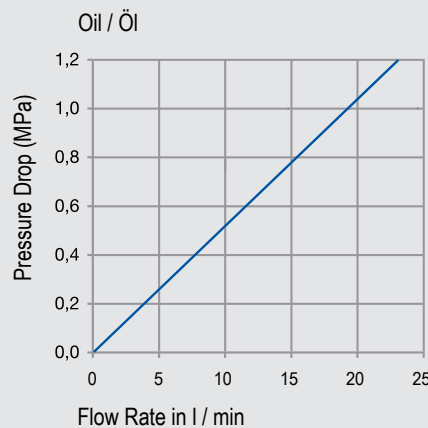
- For Coupling
 - Plastic dust cap: 082.04 SD 00
 - Aluminium dust cap: 082.04 SD 00-AL
- For Plug
 - Plastic dust cap: 082.04 PD 00
 - Aluminium dust cap: 082.04 PD 00-AL

Zusätzlich optionale Codes

- Für Kupplung
 - Kunststoff-Schutzkappe: 082.04 SD 00
 - Aluminium-Schutzkappe: 082.04 SD 00-AL
- Für Nippel
 - Kunststoff-Schutzkappe: 082.04 PD 00
 - Aluminium-Schutzkappe: 082.04 PD 00-AL



Flow Rate vs Pressure Drop Graph



082
rtc TYPE



Female thread socket / Kupplung mit Innengewinde

TYPE 082 **rtc**

Socket / Kupplung	Size / Größe	Order No / Bestellnr.	Ød	Ød1	L	HEX.
	04	082.04 SFB 13	BSP 1/4	28	61	24
		082.04 SNB 17	NPT 3/8	28	60	24



SAFETY type female thread socket / Kupplung mit Innengewinde

TYPE 082 **rtc**

Socket / Kupplung	Size / Größe	Order No / Bestellnr.	Ød	Ød1	L	HEX.
	04	082.04 SFB 13S	BSP 1/4	28	61.5	24
		082.04 SNB 17S	NPT 3/8	28	60.5	24



Male thread socket / Kupplung mit Aussengewinde

TYPE 082 **rtc**

Socket / Kupplung	Size / Größe	Order No / Bestellnr.	Ød	Ød1	L	L1	HEX.
	04	082.04 SMB 17	BSP 3/8	28	61	48	24
		082.04 STB 17	NPT 3/8	28	62	48	24



Female thread plug / Nippel mit Innengewinde

TYPE 082 **rtc**

Plug / Nippel	Size / Größe	Order No / Bestellnr.	Ød	Ød1	L	HEX.
	04	082.04 PFB 13	BSP 1/4	14.9	38	22
		082.04 PNB 17	NPT 3/8	14.9	37	22

Compatible - Kompatibilität
Cejn 125

Temperature Range - Temperaturbereich

Nitrile (N) -20°C + 100°C (-4°F + 212°F)

Working Pressure - Betriebsdruck

2,000 Bar (200 MPa - 29,000 PSI)

Flow size - Nennweite

rtc type 083.03 3.0 mm

Standard Seal - Standarddichtung

Nitrile (N)

Material of Standard Coupler / Material für die Standardversion

Socket body	Steel zinc nickel plated -
Kupplungsgrundkörper	Stahl zink vernickelt
Sleeve	Hardened Steel tenifer treatment
Hülse	Gehärteter Stahl teneferiert
Springs - Federn	Stainless Steel - Edelstahl
Locking Ring - Sprengring	Stainless Steel - Edelstahl

Plug - Nippel	Steel with tenifer treatment -
	Stahl teneferiert

Technical Specifications & Advantages

- Ultimate High Pressure (UHP) dripless hydraulic coupling.
- Plug and Coupler has plastic dust cup in order to increase the service life.
- Dripless connection and disconnection
- Aluminium Dust cap is also available.

Technische Spezifikationen & Vorteile

- Ultimative Hochdruck (UH) tropflos Hydraulikkupplung
- Nippel und Kupplung verfügen über Kunststoff-Staubschutzkappe, um die Lebensdauer zu erhöhen.
- Tropflose Verbindung und Trennung.
- Aluminium-Staubkappe ist ebenfalls verfügbar.

Additional Optional Codes

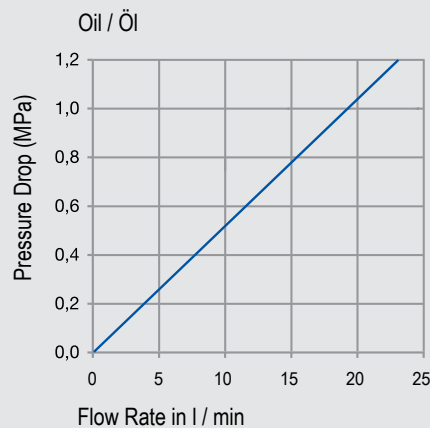
- For Coupling
 - Plastic dust cap: 083.03 SD 00
 - Aluminium dust cap: 083.03 SD 00-AL
- For Plug
 - Plastic dust cap: 083.03 PD 00
 - Aluminium dust cap: 083.03 PD 00-AL

Zusätzlich optionale Codes

- Für Kupplung
 - Kunststoff-Schutzkappe: 083.03 SD 00
 - Aluminium-Schutzkappe: 083.03 SD 00-AL
- Für Nippel
 - Kunststoff-Schutzkappe: 083.03 PD 00
 - Aluminium-Schutzkappe: 083.03 PD 00-AL



Flow Rate vs Pressure Drop Graph

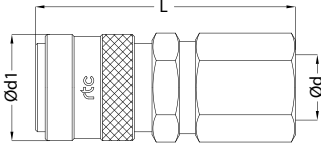




Female thread socket / Kupplung mit Innengewinde

TYPE 083 **rtc**

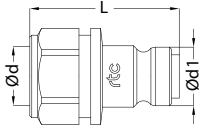
Socket / Kupplung	Size / Größe	Order No / Bestellnr.	Ød	Ød1	L	HEX.
	03	083.03 SFB 13	BSP 1/4	28	61	24



Female thread plug with valve / Nippel mit Innengewinde mit ventil

TYPE 083 **rtc**

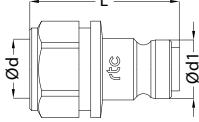
Socket / Kupplung	Size / Größe	Order No / Bestellnr.	Ød	Ød1	L	HEX.
	03	083.03 PFB 13	BSP 1/4	28	61	24



Female thread plug without valve / Nippel mit Innengewinde ohne ventil

TYPE 083 **rtc**

Socket / Kupplung	Size / Größe	Order No / Bestellnr.	Ød	Ød1	L	HEX.
	03	083.03 PFF 13	BSP 1/4	28	61	24





rtc[®]

COUPLING TECHNOLOGY



088

rtc TYPE



Compatible - Kompatibilität

ISO 15171-1

Parker PD

Temperature Range - Temperaturbereich

Nitril (N) -20°C +100°C (-4°F +212°F)

FPM (V) -10°C +180°C (+14°F +356°F)

Max. Working Pressure - Max. Betriebsdruck

rtc 088.04 420 bar (6.100 PSI)

Flow size - Nennweiten

rtc 088.04 4 mm

Material

Socket Body- Steel zinc plated -

Kupplungsgrundkörper Stahl verzinkt

Sleeve - Hülse Steel zinc plated - Stahl verzinkt

Valve - Ventil Steel zinc plated - Stahl verzinkt

Springs - Federn Stainless steel - Edelstahl

Seal - Dichtung Nitrile (N)

Balls - Kugeln Stainless steel - Edelstahl

Plug - Nippel Steel zinc plated - Stahl verzinkt

Applications

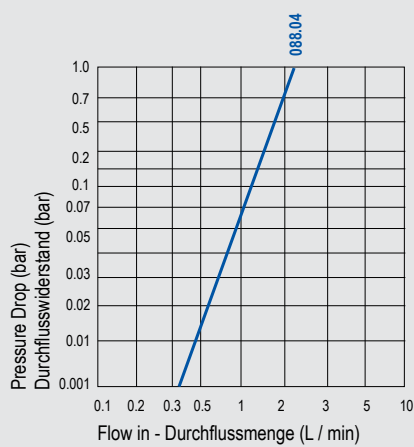
- Test benches
- Industrial equipment
- Mobile equipment

Anwendungen

- Prüfstände
- Industrielle Ausrüstung
- Mobile Geräte



Flow Rate vs Pressure Drop Graph



088
rtc TYPE

rtc TYPE 088 ISO 15171-1

Female thread socket / Kupplung mit Innengewinde



Socket / Kupplung

Size / Größe

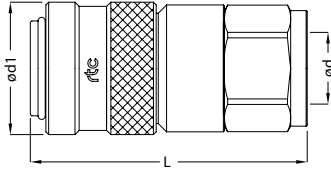
Order No / Bestellnr.

Ød

Ød1

L

HEX.



04

088.04 SFB 10	BSP 1/8	23.5	42	21
088.04 SNB 10	NPT 1/8	23.5	42	21
088.04 SFB 13	BSP 1/4	23.5	50	21
088.04 SNB 13	NPT 1/4	23.5	50	21
088.04 SMB 1415	M 14x1.5	23.5	52	21
088.04 SUB 1418	UNF 9/16-18	23.5	54	21
088.04 SUB 1110	UNF 7/16-20	23.5	55	21

rtc TYPE 088 ISO 15171-1

Male thread socket / Kupplung mit Aussengewinde



Socket / Kupplung

Size / Größe

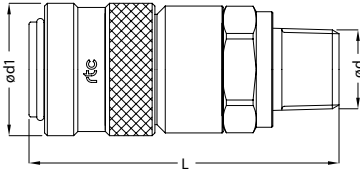
Order No / Bestellnr.

Ød

Ød1

L

HEX.



04

088.04 STB 13	NPT 1/4	23.5	52	21
---------------	---------	------	----	----

rtc TYPE 088 ISO 15171-1

Female thread plug / Nippel mit Innengewinde



Plug / Nippel

Size / Größe

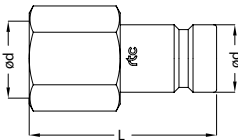
Order No / Bestellnr.

Ød

Ød1

L

HEX.



04

088.04 PNB 10	NPT 1/8	12.6	39	19
088.04 PNB 13	NPT 1/4	12.6	40	19
088.04 PUB 1418	UNF 9/16-18	12.6	40	19

rtc TYPE 088 ISO 15171-1

Male thread plug / Nippel mit Aussengewinde



Plug / Nippel

Size / Größe

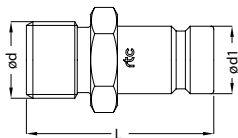
Order No / Bestellnr.

Ød

Ød1

L

HEX.



04

088.04 PMB 13	BSP 1/4	12.6	45	19
088.04 PTB 13	NPT 1/4	12.6	41	19
088.04 PMB 1215	M 12x1.5	12.6	45	19
088.04 PMB 1415	M 14x1.5	12.6	42	19
088.04 PUMB 1418	UNF 9/16-18	12.6	35	17



rtc[®]

COUPLING TECHNOLOGY



089

rtc TYPE



Temperature Range - Temperaturbereich

-20°C +100°C (-4°F +212°F) Nitril (N)
 -10°C +180°C (+14°F +356°F) FPM (V)

Flow size - Nennweiten

rtc 089.05	5 mm
rtc 089.06	6 mm
rtc 089.10	10 mm
rtc 089.13	13 mm
rtc 089.16	16 mm
rtc 089.19	19 mm
rtc 089.25	25 mm
rtc 089.35	35 mm
rtc 089.45	45 mm

Material of Standard Coupler

Material für die Standardversion

Socket body - Kupplungsgrundkörper	Brass nickel plated - Messing vernickelt
Sleeve - Hülse	Brass nickel plated - Messing vernickelt
Springs - Federn	Stainless Steel - Edelstahl
Locking Ring - Sprengring	Stainless Steel - Edelstahl
Balls - Kugeln	Stainless Steel - Edelstahl
Seals - Dichtungen	Nitrile (N)

Plug - Nippel	Brass nickel plated - Messing vernickelt
---------------	--

Material of Stainless Steel Coupler

Material für die Standardversion

Socket body - Kupplungsgrundkörper	Stainless Steel - Edelstahl
Sleeve - Hülse	Stainless Steel - Edelstahl
Springs - Federn	Stainless Steel - Edelstahl
Locking Ring - Sprengring	Stainless Steel - Edelstahl
Balls - Kugeln	Stainless Steel - Edelstahl
Seals - Dichtungen	FPM (V)

Plug - Nippel	Stainless Steel - Edelstahl
---------------	-----------------------------

Options - Optionen

- P Pressure release valf - Druckentlastungsventil
- ST Steel - Stahl
- S6 Stainless Steel - Edelstahl

Advantages

- High Flow
- Hardened Special Steel body
- Heavy Duty
- Full flow version is available

Vorteil

- Hohe Durchflussrate
- Körper aus gehärtetem Spezialstahl
- Schwere Ausführung
- Auch ohne Ventil erhältlich

Applications

- Aluminium die casting.
- Test benches.
- Plastic industry tool changing.
- Steel industry.

Anwendungen

- Aluminiumdruckguss
- Prüfstände
- Werkzeugwechsel in der Kunststoffindustrie
- Stahlindustrie

Material of Steel Coupler

Material für die Stahlversion

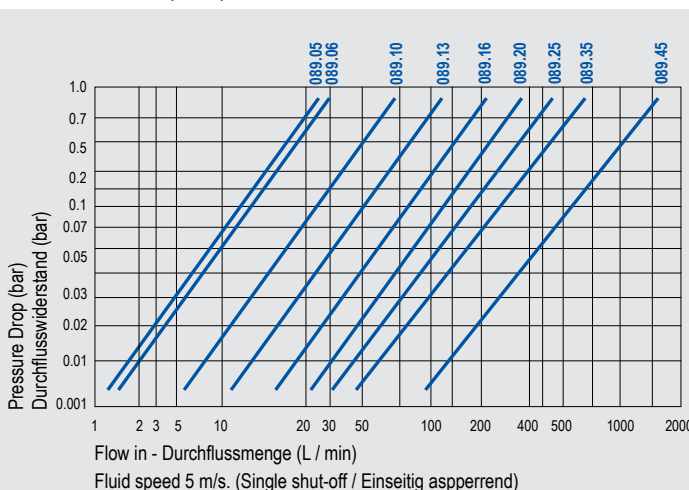
Socket body - Kupplungsgrundkörper	Steel zinc nickel plated - Stahl Nickel beschichtet
Sleeve - Hülse	Steel nickel plated - Stahl Nickel beschichtet
Springs - Federn	Stainless Steel - Edelstahl
Locking Ring - Sprengring	Stainless Steel - Edelstahl
Balls - Kugeln	Stainless Steel - Edelstahl
Seals - Dichtungen	Nitrile (N)

Plug - Nippel	Steel zinc-nickel plated - Stahl Zink-Nickel beschichtet
---------------	--



Options / Optionen	Add	Example Code
Stainless Steel AISI 316L Edelstahl AISI 316L	S6	089.06 SFB 13-S6
Steel Stahl	ST	089.06 SFB 13-ST

Flow Rate vs Pressure Drop Graph

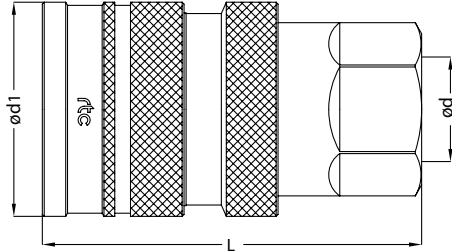


rtc TYPE 089

Female thread socket / Kupplung mit Innengewinde



Socket / Kupplung



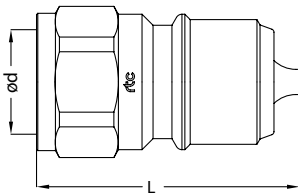
Size / Größe	Order No / Bestellnr. 	Order No / Bestellnr. 	Ød	Ød1	L	HEX.
05	089.05 SFB 10	089.05 SFF 10	BSP 1/8	18	38	15
06	089.06 SFB 13	089.06 SFF 13	BSP 1/4	25	64	20
10	089.10 SFB 17	089.10 SFF 17	BSP 3/8	34	60	24
13	089.13 SFB 21	089.13 SFF 21	BSP 1/2	40	65	30
19	089.19 SFB 26	089.19 SFF 26	BSP 3/4	52	72	38
25	089.25 SFB 33	089.25 SFF 33	BSP 1	62	88	45
35	089.35 SFB 48	089.35 SFF 48	BSP 1-1/2	73	112	60
45	089.45 SFB 60	089.45 SFF 60	BSP 2	90	144	75

rtc TYPE 089

Female thread plug / Nippel mit Innengewinde



Plug / Nippel

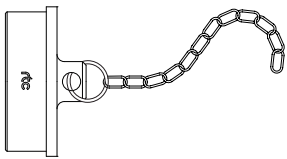


Size / Größe	Order No / Bestellnr. 	Order No / Bestellnr. 	Ød	L	HEX.
05	089.05 PFB 10	089.05 PFF 10	BSP 1/8	36	15
06	089.06 PFB 13	089.06 PFF 13	BSP 1/4	64	20
10	089.10 PFB 17	089.10 PFF 17	BSP 3/8	60	24
13	089.13 PFB 21	089.13 PFF 21	BSP 1/2	65	30
19	089.19 PFB 26	089.19 PFF 26	BSP 3/4	72	38
25	089.25 PFB 33	089.25 PFF 33	BSP 1	88	45
35	089.35 PFB 48	089.35 PFF 48	BSP 1-1/2	112	60
45	089.45 PFB 60	089.45 PFF 60	BSP 2	144	75

rtc TYPE 089

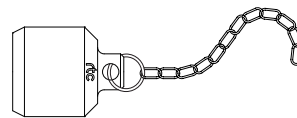
Dust cup for socket / Staubkappe für Kupplung

Dust Cup / Staubkappe



Size / Größe	Order No / Bestellnr.
05	089.05 SD 00
06	089.06 SD 00
10	089.10 SD 00
13	089.13 SD 00
19	089.19 SD 00
25	089.25 SD 00
35	089.35 SD 00
45	089.45 SD 00

Dust Cup / Staubkappe



Size / Größe	Order No / Bestellnr.
05	089.05 PD 00
06	089.06 PD 00
10	089.10 PD 00
13	089.13 PD 00
19	089.19 PD 00
25	089.25 PD 00
35	089.35 PD 00
45	089.45 PD 00

Working Pressure / Betriebsdruck

Body Size / Größe		Brass - Messing		Steel - Stahl		Stainless steel - Edelstahl (AISI 303 / AISI 316)	
		Bar	PSI	Bar	PSI	Bar	PSI
089.05	BSP 1/8	50	725	200	2900	200	2900
089.06	BSP 1/4	50	725	450	6525	250	3625
089.10	BSP 3/8	50	725	350	5075	300	4350
089.13	BSP 1/2	50	725	320	4650	300	4350
089.19	BSP 3/4	50	725	300	4350	250	3625
089.25	BSP 1	50	725	280	4050	250	3625
089.35	BSP 1-1/2	50	725	200	2900	150	2175
089.45	BSP 2	25	360	180	2600	120	1750



rtc[®]

COUPLING TECHNOLOGY



090

rtc TYPE





European profile

Temperature Range - Temperaturbereich
-5°C +180°C (+23°F +356°F) FPM (V)

Working Pressure - Betriebsdruck

rtc 090.06 10 bar (145 PSI)
rtc 090.09 15 bar (217 PSI)
rtc 090.13 15 bar (217 PSI)

Flow size - Nennweiten

rtc 090.06 6 mm
rtc 090.09 9 mm
rtc 090.13 13 mm

Standard version - Standardversion

Brass - Messing
FPM (V) PTFE coated - Viton PTFE beschichtet

Material

Socket Body- Kupplungsgrundkörper	Brass - Messing
Sleeve - Hülse	Brass - Messing
Valve - Ventil	Brass - Messing
Springs - Federn	Stainless steel - Edelstahl
Locking Ring - Sprenging	Stainless steel - Edelstahl
Balls - Kugeln	Stainless steel - Edelstahl
Seals - Dichtungen	FPM (V)
Plug - Nippel	Brass - Messing

Options - Optionen

Stainless Steel - Edelstahl
Safety lock - Sicherheitsentriegelung

Using Area

- On temperature regulation applications with hot or cold water, oil etc
- Injection moulding industries
- On steam line

Anwendungsbereiche

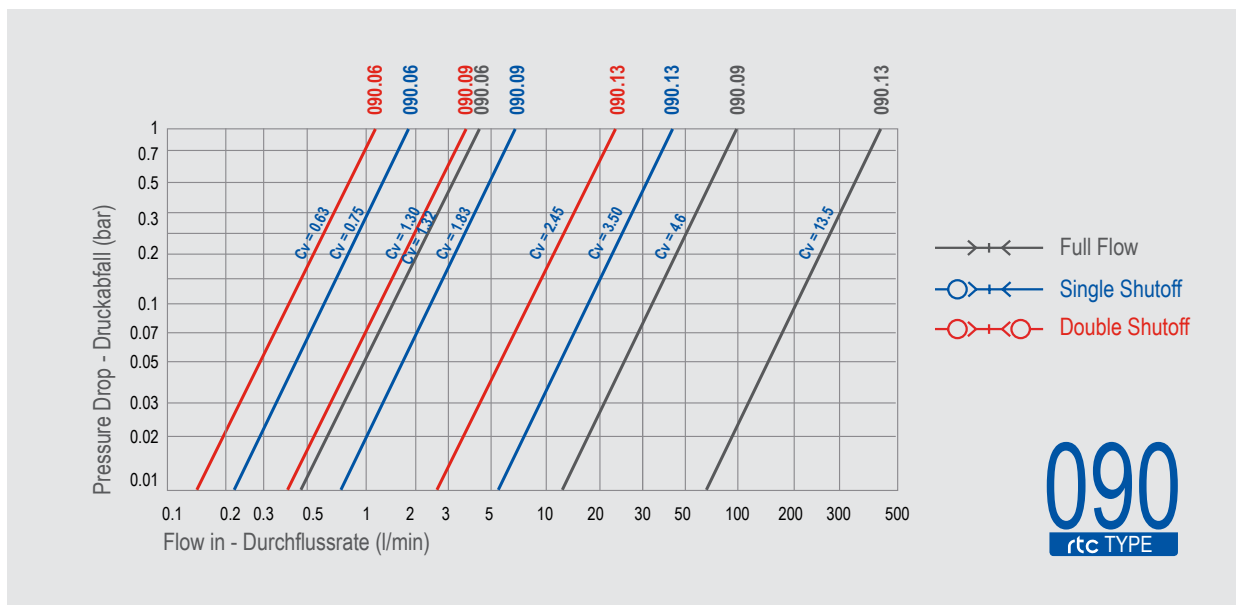
- Werkzeugtemperierung
- Kühlung mit Öl oder Wasser
- Kunststoffindustrie
- Dampfanwendungen






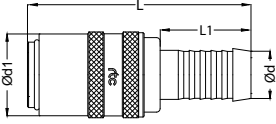
Safety type coupler for disconnect protection
Sicherheitsfunktion für das ungewollte Trennen

Add "S" to item code / Fügen Sie "S" zur Artikelnummer hinzu




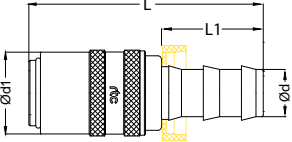
Flow Rate vs Pressure Drop Graph






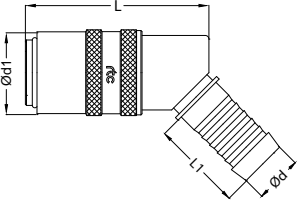
rtc TYPE 090 Standard hose tail socket / Kupplung mit gerader Standard - Schlauchtülle

Socket / Kupplung	Size / Größe	Order No / Bestellnr.  	Order No / Bestellnr. 	Ød	Ød1	L	L1
	06	090.06 SHB 06	090.06 SHF 06	6 mm	17	53	23
		090.06 SHB 09	090.06 SHF 09	9 mm	17	53	23
		090.06 SHB 13	090.06 SHF 13	13 mm	17	55	25
	09	090.09 SHB 09	090.09 SHF 09	9 mm	22	58	23
		090.09 SHB 13	090.09 SHF 13	13 mm	22	62	25
	13	090.13 SHB 16	090.13 SHF 16	16 mm	31	83	25
		090.13 SHB 19	090.13 SHF 19	19 mm	31	90	32




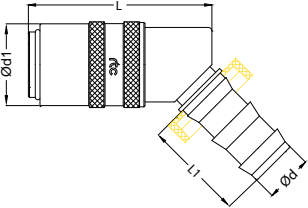
rtc TYPE 090 Push to connect hose tail socket / Kupplung mit gerader Schnellsteck - Schlauchtülle

Socket / Kupplung	Size / Größe	Order No / Bestellnr.  	Order No / Bestellnr. 	Ød	Ød1	L	L1
	06	090.06 SPB 06	090.06 SPF 06	6 mm	17	49	19
		090.06 SPB 10	090.06 SPF 10	10 mm	17	55	24
		090.06 SPB 13	090.06 SPF 13	13 mm	17	59	28
	09	090.09 SPB 10	090.09 SPF 10	10 mm	22	60	24
		090.09 SPB 13	090.09 SPF 13	13 mm	22	64	28
	13	090.13 SPB 16	090.13 SPF 16	16 mm	31	96	38
		090.13 SPB 19	090.13 SPF 19	19 mm	31	95	38

rtc TYPE 090 Standard hose tail socket 45° / Kupplung mit 45° Standard - Schlauchtülle

Socket / Kupplung	Size / Größe	Order No / Bestellnr.  	Order No / Bestellnr. 	Ød	Ød1	L	L1
	06	090.06 SHB 06-45	090.06 SHF 06-45	6 mm	17	42	23
		090.06 SHB 09-45	090.06 SHF 09-45	9 mm	17	42	23
		090.06 SHB 13-45	090.06 SHF 13-45	13 mm	17	42	25
	09	090.09 SHB 09-45	090.09 SHF 09-45	9 mm	22	51	23
		090.09 SHB 13-45	090.09 SHF 13-45	13 mm	22	51	25
	13	090.13 SHB 16-45	090.13 SHF 16-45	16 mm	31	87	25
		090.13 SHB 19-45	090.13 SHF 19-45	19 mm	31	87	32

rtc TYPE 090 Push to connect hose tail socket 45° / Kupplung mit 45° Schnellsteck - Schlauchtülle




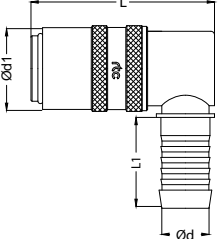
Socket / Kupplung	Size / Größe	Order No / Bestellnr.  	Order No / Bestellnr. 	Ød	Ød1	L	L1
	06	090.06 SPB 06-45	090.06 SPF 06-45	6 mm	17	42	19
		090.06 SPB 10-45	090.06 SPF 10-45	10 mm	17	42	24
		090.06 SPB 13-45	090.06 SPF 13-45	13 mm	17	42	28
	09	090.09 SPB 10-45	090.09 SPF 10-45	10 mm	22	51	24
		090.09 SPB 13-45	090.09 SPF 13-45	13 mm	22	51	28
	13	090.13 SPB 16-45	090.13 SPF 16-45	16 mm	31	87	38
		090.13 SPB 19-45	090.13 SPF 19-45	19 mm	31	87	38



Standard hose tail socket 90° / Kupplung mit 90° Standard - Schlauchtülle

TYPE 090






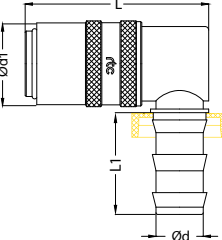
Socket / Kupplung	Size / Größe	Order No / Bestellnr.  	Order No / Bestellnr. 	Ød	Ød1	L	L1
	06	090.06 SHB 06-90	090.06 SHF 06-90	6 mm	17	42	23
		090.06 SHB 09-90	090.06 SHF 09-90	9 mm	17	42	23
		090.06 SHB 13-90	090.06 SHF 13-90	13 mm	17	42	25
	09	090.09 SHB 09-90	090.09 SHF 09-90	9 mm	22	51	23
		090.09 SHB 13-90	090.09 SHF 13-90	13 mm	22	51	25
	13	090.13 SHB 16-90	090.13 SHF 16-90	16 mm	31	87	25
		090.13 SHB 19-90	090.13 SHF 19-90	19 mm	31	87	32



Push to connect hose tail socket 90° / Kupplung mit 90° Schnellsteck - Schlauchtülle

TYPE 090






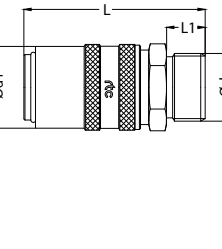
Socket / Kupplung	Size / Größe	Order No / Bestellnr.  	Order No / Bestellnr. 	Ød	Ød1	L	L1
	06	090.06 SPB 06-90	090.06 SPF 06-90	6 mm	17	42	19
		090.06 SPB 10-90	090.06 SPF 10-90	10 mm	17	42	24
		090.06 SPB 13-90	090.06 SPF 13-90	13 mm	17	42	28
	09	090.09 SPB 10-90	090.09 SPF 10-90	10 mm	22	51	24
		090.09 SPB 13-90	090.09 SPF 13-90	13 mm	22	51	28
	13	090.13 SPB 16-90	090.13 SPF 16-90	16 mm	31	87	38
		090.13 SPB 19-90	090.13 SPF 19-90	19 mm	31	87	38



Cylindrical male thread socket / Kupplung mit Aussengewinde zylindrisch

TYPE 090






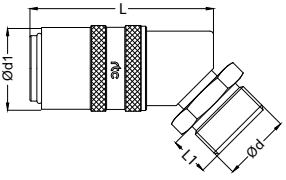
Socket / Kupplung	Size / Größe	Order No / Bestellnr.  	Order No / Bestellnr. 	Ød	Ød1	L	L1	HEX.
	06	090.06 SMB 13	090.06 SMF 13	BSP 1/4	17	40	11	17
		090.06 SMB 17	090.06 SMF 17	BSP 3/8	17	40	11	19
		090.06 SMB 1415	090.06 SMF 1415	M14x1.5	17	46	11	17
		090.06 SMB 1615	090.06 SMF 1615	M16x1.5	17	46	11	19
	09	090.09 SMB 13	090.09 SMF 13	BSP 1/4	22	51	11	21
		090.09 SMB 17	090.09 SMF 17	BSP 3/8	22	51	11	21
		090.09 SMB 21	090.09 SMF 21	BSP 1/2	22	52	12	22
		090.09 SMB 1615	090.09 SMF 1615	M16x1.5	22	51	11	21
	13	090.13 SMB 21	090.13 SMF 21	BSP 1/2	31	74	14	30
		090.13 SMB 26	090.13 SMF 26	BSP 3/4	31	75	15	30
		090.13 SMB 2415	090.13 SMF 2415	M24x1.5	31	76	16	30



Cylindrical male thread socket 45° / Kupplung mit 45° Aussengewinde zylindrisch

TYPE 090



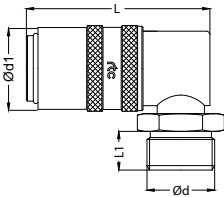
Socket / Kupplung	Size / Größe	Order No / Bestellnr.  	Order No / Bestellnr. 	Ød	Ød1	L	L1	HEX.
	06	090.06 SMB 13-45	090.06 SMF 13-45	BSP 1/4	17	42	11	14
		090.06 SMB 17-45	090.06 SMF 17-45	BSP 3/8	17	42	11	17
		090.06 SMB 1415-45	090.06 SMF 1415-45	M14x1.5	17	42	11	14
		090.06 SMB 1615-45	090.06 SMF 1615-45	M16x1.5	17	42	11	17
	09	090.09 SMB 17-45	090.09 SMF 17-45	BSP 3/8	22	51	11	17
		090.09 SMB 1615-45	090.09 SMF 1615-45	M16x1.5	22	51	11	17
	13	090.13 SMB 2415-45	090.13 SMF 2415-45	M24x1.5	31	87	16	24

rtc TYPE 090

Cylindrical male thread socket 90° / Kupplung mit 90° Aussengewinde zylindrisch



Socket / Kupplung



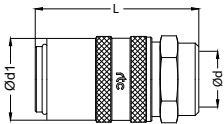
Size / Größe	Order No / Bestellnr. 	Order No / Bestellnr. 	Ød	Ød1	L	L1	HEX.
06	090.06 SMB 13-90	090.06 SMF 13-90	BSP 1/4	17	42	11	14
	090.06 SMB 17-90	090.06 SMF 17-90	BSP 3/8	17	42	11	17
	090.06 SMB 1415-90	090.06 SMF 1415-90	M14x1.5	17	42	11	14
	090.06 SMB 1615-90	090.06 SMF 1615-90	M16x1.5	17	42	11	17
09	090.09 SMB 17-90	090.09 SMF 17-90	BSP 3/8	22	51	11	17
	090.09 SMB 1615-90	090.09 SMF 1615-90	M16x1.5	22	51	11	17
13	090.13 SMB 2415-90	090.13 SMF 2415-90	M24x1.5	31	87	18	24

rtc TYPE 090

Cylindrical female thread socket / Kupplung mit Innengewinde zylindrisch



Socket / Kupplung



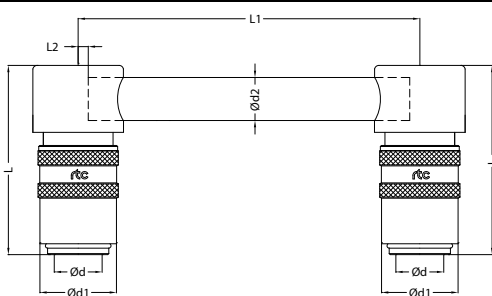
Size / Größe	Order No / Bestellnr. 	Order No / Bestellnr. 	Ød	Ød1	L	HEX.
06	090.06 SFB 13	090.06 SFF 13	BSP 1/4	17	39	17
	090.06 SFB 17	090.06 SFF 17	BSP 3/8	17	42	21
	090.06 SFB 1415	090.06 SFF 1415	M14x1.5	17	42	17
09	090.09 SFB 13	090.09 SFF 13	BSP 1/4	22	44	21
	090.09 SFB 17	090.09 SFF 17	BSP 3/8	22	44	21
	090.09 SFB 21	090.09 SFF 21	BSP 1/2	22	47	24
	090.09 SFB 1615	090.09 SFF 1615	M16x1.5	22	44	21
13	090.13 SFB 26	090.13 SFF 26	BSP 3/4	31	77	30

rtc TYPE 090

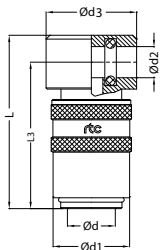
Diverting sockets / Umlenkkuplung



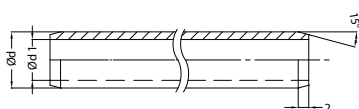
Socket / Kupplung



Size / Größe	Order No / Bestellnr. Without Valve / Ohne Ventil	Ød	Ød1	Ød2	L	L1	L2
6	090.06 SCF 125	9	17	8x1	44	125	2
6	090.06 SCF 250	9	17	8x1	44	250	2
6	090.06 SCF 500	9	17	8x1	44	500	2
9	090.09 SCF 125	13	22	10x1	50	125	2
9	090.09 SCF 250	13	22	10x1	50	250	2
9	090.09 SCF 500	13	22	10x1	50	500	2
13	090.13 SCF 160	19	34	14x1	75	160	3
13	090.13 SCF 315	19	34	14x1	75	315	3
13	090.13 SCF 500	19	34	14x1	75	500	3



Size / Größe	Order No / Bestellnr. Without Valve / Ohne Ventil	Ød	Ød1	Ød2	Ød3	L	L3
6	090.06 SCF 00	9	17	8x1	20	44	37
9	090.09 SCF 00	13	22	10x1	26	50	42
13	090.13 SCF 00	19	34	14x1	36	75	63.5



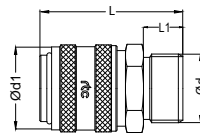
Pipe preparation / Verbindungsrohr

Size / Größe	Brass Tube Messing Rohr	Ød	Ød1	Length / Länge
6	TBM 0810x1000	8	6	1000mm
9	TBM 1010x1000	10	8	1000mm
13	TBM 1410x1000	14	12	1000mm



Cylindrical male thread socket short version / Kupplung mit Aussengewinde zylindrisch kurze Version

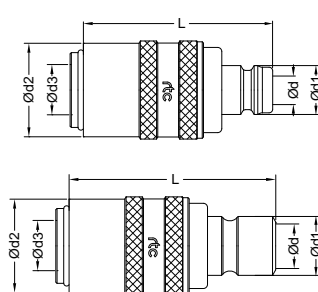
TYPE 090 

Socket / Kupplung	Size Größe	Order No / Bestellnr. Without Valve / Ohne Ventil	Ød	Ød1	L	L1	HEX
	6	090.06 SMB 13x38	BSP 1/4	17	38	9	17
	9	090.09 SMB 17x38	BSP 3/8	22	38	9	21



Adapting Socket with plug / Adapterkupplung mit Nippel

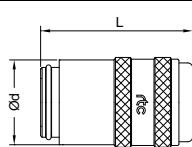
TYPE 090 

Socket and Plug / Kupplung und Nippel	Order No / Bestellnr. With Valve / Mit Ventil	Order No / Bestellnr. Without Valve / Ohne Ventil	Plug Size Nippel Größe (Ød)	Ød1	Ød2	Socket Size Kupplung Größe (Ød3)	L	Passage
	090.06 SXB 090.06	090.06 SXF 090.06	6	9	17	9	45	6
	090.06 SXB 090.09	090.06 SXF 090.09	9	13	17	9	45	6
	090.09 SXB 090.06	090.09 SXF 090.06	6	9	22	13	50.5	6
	090.09 SXB 090.09	090.09 SXF 090.09	9	13	22	13	50.5	9
	090.06 SXB 099.06	090.06 SXF 099.06	6	9.5	17	9	42	6
	090.06 SXB 099.09	090.06 SXF 099.09	9	13.5	17	9	47	6
	090.09 SXB 099.06	090.09 SXF 099.06	6	9.5	22	13	47	6
	090.09 SXB 099.09	090.09 SXF 099.09	9	13.5	22	13	52	9



Blind Socket / Blindkupplung

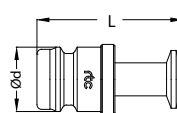
TYPE 090 

Socket / Kupplung	Body Size Größe (Ød)	Order No / Bestellnr.	Ød	L
	6	090.06 PL 00	17	29
	9	090.09 PL 00	22	36
	13	090.13 PL 00	31	58



Blind Plug / Blindnippel

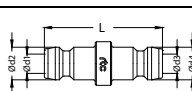
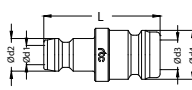
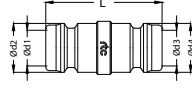
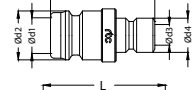

TYPE 090 

Plug / Nippel	Body Size Größe	Order No / Bestellnr.	Ød	L
	6	090.06 SL 00	9	28
	9	090.09 SL 00	13	30
	13	090.13 SL 00	19	52



Adapting Plug / Adapternippel

TYPE 090 

Plug / Nippel	Order No / Bestellnr.	Ød1	Ød2	Ød3	Ød4	L
	090.06 PXP 090.06	6	9.5	6	9.5	32
	090.06 PXP 090.09	6	9.5	9	13	32
	090.09 PXP 090.09	9	13	9	13	32
	090.09 PXP 099.06	9	13	6	9.5	28
	090.09 PXP 099.09	9	13	9	13.5	33

rtc TYPE 090.06

Male thread plug / Nippel mit Aussengewinde



Plug / Nippel	Size / Größe	Order No / Bestellnr.	Ød	Ød1	L	L1	HEX.
	06	090.06 PMF 10	BSP 1/8	9	24	7	11
		090.06 PMF 13	BSP 1/4	9	26	9	14
		090.06 PMF 17	BSP 3/8	9	26	9	17
		090.06 PMF 1010	M10x1	9	24	7	11
		090.06 PMF 1015	M10x1.5	9	25	8	11
		090.06 PMF 1215	M12x1.5	9	27	9	17
		090.06 PMF 12175	M12x1.75	9	27	9	14
		090.06 PMF 1415	M14x1.5	9	26	9	15
		090.06 PMF 1615	M16x1.5	9	26	9	17
		090.06 PRF 10	BSPT 1/8	9	26	9	11
		090.06 PRF 13	BSPT 1/4	9	30	12	14
		090.06 PRF 17	BSPT 3/8	9	30	13	17

rtc TYPE 090.09

Male thread plug / Nippel mit Aussengewinde



Plug / Nippel	Size / Größe	Order No / Bestellnr.	Ød	Ød1	L	L1	HEX.
	09	090.09 PMF 10	BSP 1/8	13.5	25	7	14
		090.09 PMF 13	BSP 1/4	13.5	26	9	15
		090.09 PMF 17	BSP 3/8	13.5	26	9	17
		090.09 PMF 21	BSP 1/2	13.5	31	12	22
		090.09 PMF 1010	M10x1.0	13.5	24	7	14
		090.09 PMF 1015	M10x1.5	13.5	27	9	14
		090.09 PMF 12175	M12x1.75	13.5	29	9	14
		090.09 PMF 1415	M14x1.5	13.5	26	9	15
		090.09 PMF 1615	M16x1.5	13.5	26	9	17
		090.09 PRF 13	BSPT 1/4	13.5	31	12	14
		090.09 PRF 17	BSPT 3/8	13.5	31	13	17
		090.09 PRF 21	BSPT 1/2	13.5	36	16	22
090.09 PRF 26	BSPT 3/4	13.5	39.5	18	27		

rtc TYPE 090.13

Male thread plug / Nippel mit Aussengewinde



Plug / Nippel	Size / Größe	Order No / Bestellnr.	Ød	Ød1	L	L1	HEX.
	13	090.13 PMF 21	BSP 1/2	19	47	12	22
		090.13 PMF 26	BSP 3/4	19	50	16	27
		090.13 PMF 33	BSP 1	19	53	17	35
		090.13 PMF 2415	M24x1.5	19	50	16	25

rtc TYPE 090

Standard hose tail plug / Nippel mit gerader Standard - Schlauchtülle



Plug / Nippel	Size / Größe	Order No / Bestellnr.	Ød	Ød1	L	L1
	06	090.06 PHF 06	6 mm	9	41	23
		090.06 PHF 09	9 mm	9	41	23
		090.06 PHF 13	13 mm	9	44	25
	09	090.09 PHF 09	9 mm	13.5	42	23
		090.09 PHF 13	13 mm	13.5	44	25
	13	090.13 PHF 16	16 mm	19	56	25
090.13 PHF 19		19 mm	19	63	32	

Cylindrical male thread plug inner hex. / Nippel mit Aussengewinde zylindrisch Innensechskant TYPE 090.06 **rtc**

Plug / Nippel	Size / Größe	Order No / Bestellnr.	Ød	Ød1	L	L1	HEX.
	06	090.06 PMFH 10	BSP 1/8	9	24	7	5
		090.06 PMFH 13	BSP 1/4	9	26	9	5
		090.06 PMFH 0875	M8x075	9	24	8	5
		090.06 PMFH 1010	M10x1	9	24	8	5
		090.06 PMFH 1415	M14x1.5	9	27	9	5

Cylindrical male thread plug inner hex. / Nippel mit Aussengewinde zylindrisch Innensechskant TYPE 090.09 **rtc**

Plug / Nippel	Size / Größe	Order No / Bestellnr.	Ød	Ød1	L	L1	HEX.
	09	090.09 PMFH 10	BSP 1/8	13.5	24	7	7
		090.09 PMFH 13	BSP 1/4	13.5	26	9	7
		090.09 PMFH 17	BSP 3/8	13.5	26	9	7
		090.09 PMFH 1015	M10x1.5	13.5	26	9	7
		090.09 PMFH 12175	M12x1.75	13.5	26	9	7
		090.09 PMFH 1415	M14x1.5	13.5	26	9	7

Cylindrical male thread plug with valve / Verschlussnippel mit Aussengewinde zylindrisch TYPE 090.06 **rtc**

Plug / Nippel	Size / Größe	Order No / Bestellnr.	Ød	Ød1	L	L1	HEX.
	06	090.06 PMB 13	BSP 1/4	9	28	11	14
		090.06 PMB 17	BSP 3/8	9	28	11	17
		090.06 PMB 1415	M14x1.5	9	27	9	15

Cylindrical male thread plug with valve / Verschlussnippel mit Aussengewinde zylindrisch TYPE 090.09 **rtc**

Plug / Nippel	Size / Größe	Order No / Bestellnr.	Ød	Ød1	L	L1	HEX.
	09	090.09 PMB 13	BSP 1/4	13	29	11	14
		090.09 PMB 17	BSP 3/8	13	30	12	17
		090.09 PMB 21	BSP 1/2	13	31	12	22
		090.09 PMB 1415	M14x1.5	13	29	11	15
		090.09 PMB 1615	M16x1.5	13	30	11	17

Cylindrical male thread plug with valve / Verschlussnippel mit Aussengewinde zylindrisch TYPE 090.13 **rtc**

Plug / Nippel	Size / Größe	Order No / Bestellnr.	Ød	Ød1	L	L1	HEX.
	13	090.13 PMB 21	BSP 1/2	19	47	12	22
		090.13 PMB 26	BSP 3/4	19	51	16	27
		090.13 PMB 2415	M24x1.5	19	51	16	27

Push to connect hose tail plug / Nippel mit gerader Schnellsteck - Schlauchtülle TYPE 090 **rtc**

Plug / Nippel	Size / Größe	Order No / Bestellnr.	Ød	Ød1	L	L1
	06	090.06 PPF 10	10 mm	9	42	24
		090.06 PPF 13	13 mm	9	47	28
	09	090.09 PPF 10	10 mm	13.5	43	24
		090.09 PPF 13	13 mm	13.5	47	28
	13	090.13 PPF 16	16 mm	19	68	38
		090.13 PPF 19	19 mm	19	68	38

rtc TYPE 090.06

Male thread plug 90° / Nippel mit Aussengewinde (Metric DIN 158 - Conical DIN 2999)



Plug / Nippel	Size / Größe	Order No / Bestellnr.	Ød	Ød1	L	L1	L2	HEX
	06	090.06 PRF 10-90	BSPT 1/8	9	27	9	24.5	11
		090.06 PRF 13-90	BSPT 1/4	9	29	11	26.5	15
		090.06 PKF 0875-90	M8x0.75	9	27	9	24.5	11
		090.06 PKF 1010-90	M10x1	9	27	9	24.5	11
		090.06 PKF 1415-90	M14x1.5	9	29	11	26.5	15

rtc TYPE 090.09

Male thread plug 90° / Nippel mit Aussengewinde (Metric DIN 158 - Conical DIN 2999)



Plug / Nippel	Size / Größe	Order No / Bestellnr.	Ød	Ød1	L	L1	L2	HEX
	09	090.09 PRF 13-90	BSPT 1/4	13	34	11	24.5	15
		090.09 PRF 17-90	BSPT 3/8	13	34	11	24.5	17
		090.09 PKF 1415-90	M14x1.5	13	34	11	24.5	15

rtc TYPE 090.13

Male thread plug 90° / Nippel mit Aussengewinde (Metric DIN 158 - Conical DIN 2999)



Plug / Nippel	Size / Größe	Order No / Bestellnr.	Ød	Ød1	L	L1	L2	HEX
	13	090.13 PRF 21-90	BSPT 1/2	19	34	16	42	24
		090.13 PRF 2415-90	M24x1.5	19	34	16	42	24

rtc TYPE 090.06

Cylindrical female thread plug / Nippel mit Innengewinde zylindrisch



Plug / Nippel	Size / Größe	Order No / Bestellnr.	Ød	Ød1	L	HEX.
	06	090.06 PFF 10	BSP 1/8	9	25	14
		090.06 PFF 13	BSP 1/4	9	27	17
		090.06 PFF 17	BSP 3/8	9	27	19

rtc TYPE 090.09

Cylindrical female thread plug / Nippel mit Innengewinde zylindrisch



Plug / Nippel	Size / Größe	Order No / Bestellnr.	Ød	Ød1	L	HEX.
	09	090.09 PFF 13	BSP 1/4	13	26	17
		090.09 PFF 17	BSP 3/8	13	26	19
		090.09 PFF 21	BSP 1/2	13	28	24



Cylindrical female thread plug / Nippel mit Innengewinde zylindrisch

TYPE 090.13



Plug / Nippel	Size / Größe	Order No / Bestellnr.	Ød	Ød1	L	L1	HEX.
	13	090.13 PFF 21	BSP 1/2	19	46	14	24
		090.13 PFF 26	BSP 3/4	19	50	18	30



Plug extension / Nippelverlängerung

TYPE 090.06



Plug / Nippel	Size / Größe	Order No / Bestellnr.	Ød	Ød1	L	L1	HEX.
	06	090.06 PEF 63	8	9	63	21	11
		090.06 PEF 100	8	9	100	21	11
		090.06 PEF 100-10	10	9	100	21	11
		090.06 PEF 120	10	9	120	21	11
		090.06 PEF 240	10	9	240	21	11
		090.06 PEF 360	10	9	360	21	11



Plug extension / Nippelverlängerung

TYPE 090.09



Plug / Nippel	Size / Größe	Order No / Bestellnr.	Ød	Ød1	L	L1	HEX.
	09	090.09 PEF 50	14	13	50	22	15
		090.09 PEF 100	14	13	100	22	15
		090.09 PEF 120	14	13	120	22	15
		090.09 PEF 150	14	13	150	22	15
		090.09 PEF 150-10	10	13	150	22	14
		090.09 PEF 300	14	13	300	22	15
		090.09 PEF 450	14	13	450	22	15



Plug extension / Nippelverlängerung

TYPE 090.13



Plug / Nippel	Size / Größe	Order No / Bestellnr.	Ød	Ød1	L	L1	HEX.
	13	090.13 PEF 500	21	19	500	35	22
		090.13 PEF 800	21	19	800	35	22



Extension Nippel / Nippelverlängerung

TYPE 090



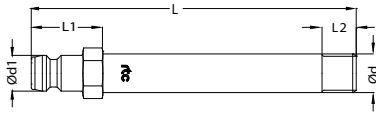
Adapter / Nippel	Order No / Bestellnr.	Ød	Ød1	Ød2	L	L1	HEX.
	NFE 13-120	BSP 1/4	10	6	120	11	17
	NFE 17-150	BSP 3/8	14	9	150	11	22
	NFE 1415-120	M14x1.5	10	6	120	12	17
	NFE 1615-150	M16x1.5	14	9	150	12	22

rtc TYPE 090.06

Male thread extension plug / Nippelverlängerung mit Aussengewinde



Plug / Nippel



Size
Größe

06

Order No / Bestellnr.	Ød	Ød1	L	L1	L2	HEX.
090.06 PMF 10xL	BSP 1/8	9	*	21	7	11
090.06 PMF 13xL	BSP 1/4	9	*	22	9	14
090.06 PMF 0875xL	M8x0.75	9	*	21	7	11
090.06 PMF 1010xL	M10x1.0	9	*	21	7	11
090.06 PMF 1015xL	M10x1.5	9	*	21	9	11

*L: Length (mm): 50 / 80 / 100 / 120 / 150 / 200

rtc TYPE 090.09

Male thread extension plug / Nippelverlängerung mit Aussengewinde



Plug / Nippel



Size
Größe

09

Order No / Bestellnr.	Ød	Ød1	L	L1	L2	HEX.
090.09 PRF 13xL	BSPT 1/4	13.5	*	22	12	14
090.09 PRF 17xL	BSPT 3/8	13.5	*	22	12	17
090.09 PMF 10xL	BSP 1/8	13.5	*	20	7	14
090.09 PMF 13xL	BSP 1/4	13.5	*	20	9	14
090.09 PMF 17xL	BSP 3/8	13.5	*	20	9	17
090.09 PMF 08125xL	M8x1.25	13.5	*	20	9	14
090.09 PMF 1010xL	M10x1.0	13.5	*	20	10	14
090.09 PMF 1015xL	M10x1.5	13.5	*	20	10	14
090.09 PMF 1215xL	M12x1.5	13.5	*	20	11	14
090.09 PMF 12175xL	M12x1.75	13.5	*	20	12	14
090.09 PMF 1415xL	M14x1.5	13.5	*	20	12	15
090.09 PMF 1420xL	M14x2.0	13.5	*	20	12	15
090.09 PMF 1615xL	M16x1.5	13.5	*	20	13	17
090.09 PMF 1620xL	M16x2.0	13.5	*	20	13	17

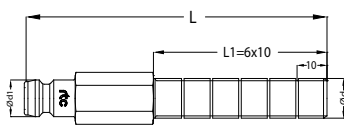
*L: Length (mm): 50 / 80 / 100 / 120 / 150 / 200

rtc TYPE 090.06

Male long thread plug / Nippel mit langem Aussengewinde zylindrisch



Plug / Nippel



Size
Größe

06

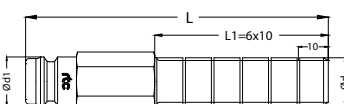
Order No / Bestellnr.	Ød	Ød1	L	L1	HEX.
090.06 PMFL 10x100	BSP 1/8	9	100	6x10	11
090.06 PMFL 13x100	BSP 1/4	9	100	6x10	14
090.06 PMFL 17x100	BSP 3/8	9	100	6x10	17
090.06 PMFL 1010x100	M10x1.0	9	100	6x10	11
090.06 PMFL 1415x100	M14x1.5	9	100	6x10	14

rtc TYPE 090.09

Male long thread plug / Nippel mit langem Aussengewinde zylindrisch



Plug / Nippel



Size
Größe

09

Order No / Bestellnr.	Ød	Ød1	L	L1	HEX.
090.09 PMFL 13x100	BSP 1/4	13	100	6x10	14
090.09 PMFL 17x100	BSP 3/8	13	100	6x10	17
090.09 PMFL 1415x100	M14x1.5	13	100	6x10	14
090.09 PMFL 1615x100	M16x1.5	13	100	6x10	17

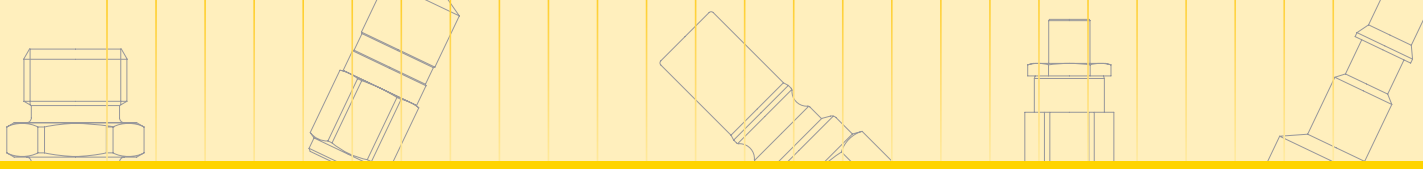


Replacement seal set / Ersatz O-Ring Set

TYPE 090



Seals / O-Ringe	Size Größe	Order No / Bestellnr.	Description	Material	Working Temp.
	6	SS 090.06 PN	Plug Seal Set	NBR - Nitrile	-20°C +100°C / -4°F +212°F
	9	SS 090.09 PN	Plug Seal Set	NBR - Nitrile	-20°C +100°C / -4°F +212°F
	13	SS 090.13 PN	Plug Seal Set	NBR - Nitrile	-20°C +100°C / -4°F +212°F
	6	SS 090.06 SN	Socket Seal Set	NBR - Nitrile	-20°C +100°C / -4°F +212°F
	9	SS 090.09 SN	Socket Seal Set	NBR - Nitrile	-20°C +100°C / -4°F +212°F
	13	SS 090.13 SN	Socket Seal Set	NBR - Nitrile	-20°C +100°C / -4°F +212°F
	6	SS 090.06 PV	Plug Seal Set	FPM - Viton	-10°C +180°C / +14°F +356°F
	9	SS 090.09 PV	Plug Seal Set	FPM - Viton	-10°C +180°C / +14°F +356°F
	13	SS 090.13 PV	Plug Seal Set	FPM - Viton	-10°C +180°C / +14°F +356°F
	6	SS 090.06 SV	Socket Seal Set	FPM - Viton	-10°C +180°C / +14°F +356°F
	9	SS 090.09 SV	Socket Seal Set	FPM - Viton	-10°C +180°C / +14°F +356°F
	13	SS 090.13 SV	Socket Seal Set	FPM - Viton	-10°C +180°C / +14°F +356°F



rtc[®]

COUPLING TECHNOLOGY



092

rtc TYPE



rtc type Ejector / Knock-out Couplers

Body size / Körpergröße

rtc 092.16	
rtc 092.18	
rtc 092.19 - Pneumatic Serie	
rtc 092.25	
rtc 092.36 - Pneumatic Serie	

Pulling Force / Zugkraft

rtc 092.16	1.500 kg
rtc 092.18	2.400 kg
rtc 092.19	1.500 kg
rtc 092.25	3.200 kg
rtc 092.36	6.000 kg

Material of Standart Ejector Coupler

Coupler Body -
Kupplungsgrundkörper : Steel -Stahl

Sleeve - Hülse	: Steel Hardened - Stahl gehärtet
Springs - Federn	: Steel - Stahl
Balls - Kugeln	: Steel Hardened - Stahl gehärtet
Male Part	: Steel Hardened - Stahl gehärtet

Material of Pneumatic Ejector Coupler

Coupler Body -
Kupplungsgrundkörper : Steel -Stahl

Sleeve - Hülse	: Steel Hardened - Stahl gehärtet
Springs - Federn	: Steel - Stahl
Balls - Kugeln	: Steel Hardened - Stahl gehärtet
Male Part	: Steel Hardened - Stahl gehärtet

Advantages

- Quick and easy installation
- Return of the ejector plate is assured
- Part ejection is assured
- Coupling is obtained in any position, disconnecting is made only after the ejector plate is fully returned.
- Fast acting, up to 30 stokes per minute.
- Can be used on all injection machines equipped with hydraulic or mechanical ejection
- Set-up time can be greatly reduced.
- Reduced noise on machines with mechanical knock-outs
- Especially suited for injection machines that do not have easy access to the ejector plate.

Vorteile

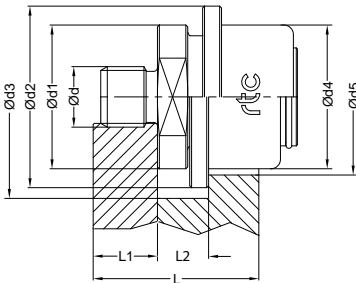
- Schnelle und einfache Installation
- Die Rückkehr der Auswurfplatte ist gewährleistet
- Teil Ausstoß ist gewährleistet
- Die Kupplung wirkt in jeder Position - Trennung erfolgt erst wenn die Auswurfplatte voll zurück gefahren ist
- Schnelle Funktionalität - bis zu 30 Hübe pro Minute
- Kann auf alle Spritzgussmaschinen ausgestattet werden mit hydraulischen oder mechanischen Auswurf
- Rüstzeit kann erheblich verkürzt werden
- Speziell für Spritzgussmaschinen mit schwer zugänglicher Auswurfplatte



rtc TYPE 092

Male thread socket / Kupplung mit Aussengewinde

Socket / Kupplung

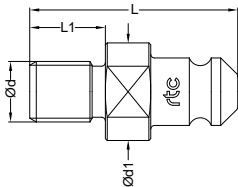


Size Größe	Order No / Bestellnr.	Ød	Ød1	Ød2	Ød3	Ød4	Ød5	L	L1	L2	Pull Force (kg)
16	092.16 SMO 12175	M12x1.75	32	39	43	32	34	42.5	15	10	1500
	092.16 SMO 1615	M16x1.5	32	39	43	32	34	42.5	15	10	1500
	092.16 SZO 16-11	NPS 5/8-11	32	39	43	32	34	42.5	15	10	1500
18	092.18 SMO 1615	M16x1.5	38	48	53	38	40	52	15	13	2400
	092.18 SMO 1620	M16x2.0	38	48	53	38	40	52	15	13	2400
25	092.25 SMO 1615	M16x1.5	52	65	70	56	58	68	18	17	3200
	092.25 SMO 1815	M18x1.5	52	65	70	56	58	68	18	17	3200
	092.25 SMO 2015	M20x1.5	52	65	70	56	58	68	18	17	3200
	092.25 SMO 2415	M24x1.5	52	65	70	56	58	68	18	17	3200
	092.25 SMO 2715	M27x1.5	52	65	70	56	58	68	18	17	3200
092.25 SMO 3015	M30x1.5	52	65	70	56	58	68	18	17	3200	

rtc TYPE 092

Male thread plug / Nippel mit Aussengewinde

Plug / Nippel

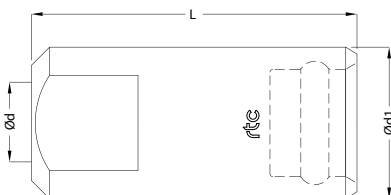


Size Größe	Order No / Bestellnr.	Ød	Ød1	L	L1	Pull Force (kg)
16	092.16 PMO 1015	M10x1.5	22.8	45.5	20	1500
	092.16 PMO 12175	M12x1.75	22.8	45.5	20	1500
	092.16 PMO 1420	M14x2.0	22.8	45.5	20	1500
	092.16 PZO 16-11	NPS 5/8-11	22.8	45.5	20	1500
18	092.18 PMO 1015	M10x1.5	22.8	45.5	20	2400
	092.18 PMO 12175	M12x1.75	22.8	45.5	20	2400
	092.18 PMO 1420	M14x2.0	22.8	45.5	20	2400
	092.18 PMO 1620	M16x2.0	22.8	45.5	20	2400
25	092.25 PMO 1620	M16x2.0	34.3	68	20	3200
	092.25 PMO 1825	M18x2.5	34.3	68	20	3200
	092.25 PMO 2025	M20x2.5	34.3	68	20	3200
	092.25 PMO 2430	M24x3.0	34.3	68	20	3200
	092.25 PMO 2730	M27x3.0	34.3	68	20	3200
	092.25 PMO 3035	M30x3.5	34.3	68	20	3200

rtc TYPE 092 Pneumatic Serie

Female thread socket / Kupplung mit Innengewinde

Socket / Kupplung



Size Größe	Order No / Bestellnr.	Ød	Ød1	L	Pull Force (kg)
19	092.19 SFO 12175	M12x1.75	27	58	1500
36	092.36 SFO 2025	M20x2.5	49	97	6000

Female thread socket / Kupplung mit Innengewinde

TYPE 092 Pneumatic Serie



Plug / Nippel	Size Größe	Order No / Bestellnr.	Ød	Ød1	Ød2 Pneu. Hose	L	L1	Pull Force (kg)
	19	092.19 PFO 12175	M12x1.75	27	4	58	18	1500
	36	092.36 PFO 2025	M20x2.5	49	4	97	23	6000

Female thread socket / Kupplung mit Innengewinde

TYPE 092 Pneumatic Serie



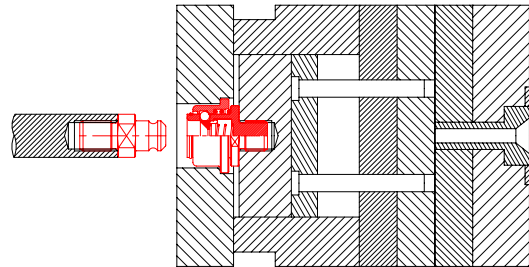
Adapter / Nippel	Size Größe	Order No / Bestellnr.	Ød	Ød1	L	L1	L2
	19	092.19 MMN 12-12	M12x1.75	M12x1.75	35	10	20
		092.19 MMN 12-1216	M12x1.75	UNC 3/8-16	35	10	20
		092.19 MMN 12-16	M12x1.75	M16x2.00	35	10	20
	36	092.36 MMN 20-16	M20x2.5	M16x2.00	49	16	25
		092.36 MMN 20-1910	M20x2.5	UNC 3/4-10	49	16	25
		092.36 MMN 20-24	M20x2.5	M24x2.50	49	16	25

Working Principle - Funktionsprinzip

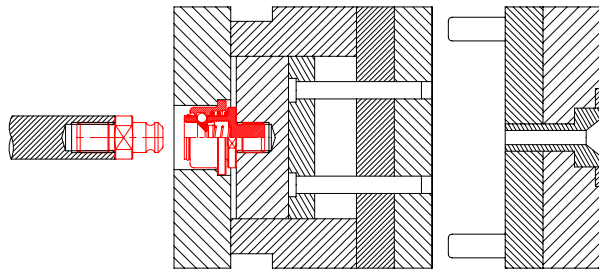
TYPE 092



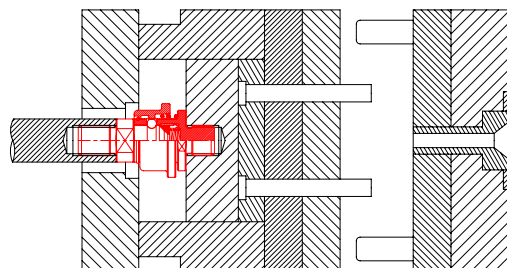
Stage 1



Stage 2



Stage 3





rtc[®]

COUPLING TECHNOLOGY

-  Water
-  Pneumatic
-  Hydraulic
-  Electrical
-  Accessories

093

rtc TYPE



Temperature Range - Temperaturbereich

Nitrile (N) -20°C + 100°C (- 4°F + 212°F)
FPM (V) -20°C + 180°C (- 4°F + 356°F)

Working Pressure - Betriebsdruck

rtc 093.08 20 bar (290 PSI)

Flow size - Nennweiten

rtc 093.08 8 mm

Material of Standard Coupler / Material für die Standardversion

Material

Socket Front Body - Kupplungvorderseitekörper	Stainless Steel - Edelstahl
Socket Back Body - Kupplungrückenkörper	Brass - Messing
Valve - Ventil	Brass - Messing
Springs - Federn	Stainless Steel - Edelstahl
Seals - Dichtungen	FPM (V)

Plug Front Body - Nippelvorderseitekörper	Stainless Steel - Edelstahl
Plug Back Body - Nippelrückenkörper	Brass - Messing

Options - Optionen

Stainless Steel - Edelstahl

Using Area

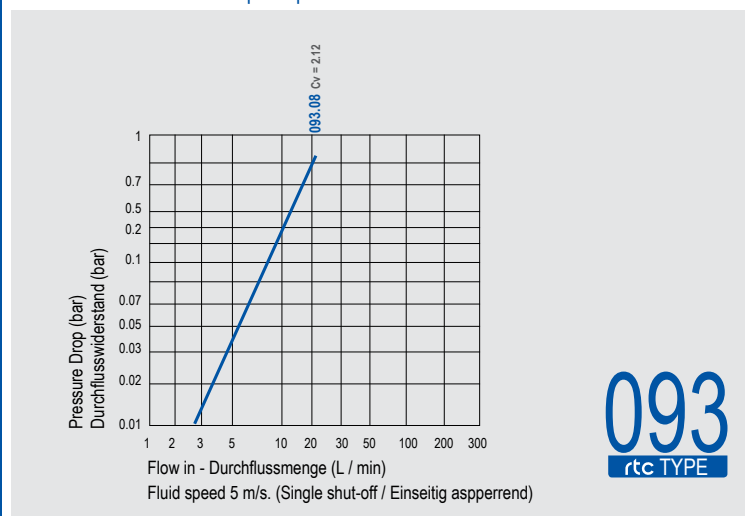
- On temperature regulation applications with hot or cold water, oil etc
- Injection moulding industries
- On steam line

Anwendungsbereiche

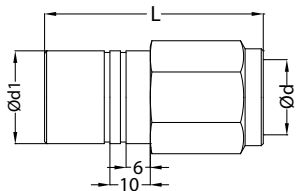
- Werkzeugtemperierung
- Kühlung mit Öl oder Wasser
- Kunststoffindustrie
- Dampfanwendungen



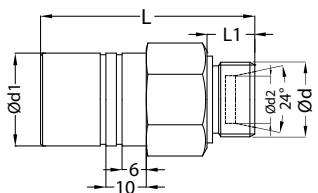
Flow Rate vs Pressure Drop Graph / Durchflussrate vs Druckabfall



rtc TYPE 093 Female thread socket / Kupplung mit Innengewinde 

Sockets / Kupplungen	Size / Größe	Order No / Bestellnr.	Ød	Ød1	L	HEX.
	08	093.08 SFB 1615	M16x1.5	21.5	48	24
		093.08 SFB 17	BSP 3/8	21.5	48	24

rtc TYPE 093 Male thread socket / Kupplung mit Aussengewinde 

Sockets / Kupplungen	Size / Größe	Order No / Bestellnr.	Ød	Ød1	Ød2	L	L1	HEX.
	08	093.08 SMB 1615-10	M16x1.5	21.5	10	48	11	24
		093.08 SMB 17	BSP 3/8	21.5	10	48	11	24

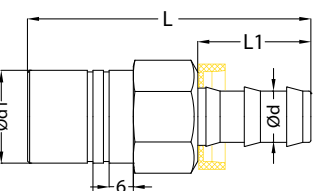
rtc TYPE 093 Male thread socket / Kupplung mit Aussengewinde 

Sockets / Kupplungen	Size / Größe	Order No / Bestellnr.	Ød	Ød1	L	L1	HEX
	08	093.08 SMB 17	BSP 3/8	21.5	48	11	24
		093.08 SMB 17	BSP 3/8	21.5	48	11	24

rtc TYPE 093 Standard hose tail socket / Kupplung mit Standard - Schlauchtülle 

Sockets / Kupplungen	Size / Größe	Order No / Bestellnr.	Ød	Ød1	L	L1	HEX.
	08	093.08 SHB 10	10 mm	21.5	57.5	23	24
		093.08 SHB 12	12 mm	21.5	62	27.5	24
		093.08 SHB 12	12 mm	21.5	62	27.5	24

rtc TYPE 093 Push to connect hose socket / Kupplung mit Schnellsteck - Schlauchtülle 

Sockets / Kupplungen	Size / Größe	Order No / Bestellnr.	Ød	Ød1	L	L1	HEX.
	08	093.08 SPB 10	10 mm	21.5	58.5	24	24
		093.08 SPB 13	13 mm	21.5	62.5	28	24
		093.08 SPB 13	13 mm	21.5	62.5	28	24



Female thread plug with valve / Verschlussnippel mit Innengewinde

TYPE 093



Plugs / Nippel	Size / Größe	Order No / Bestellnr.	Ød	Ød1	L	HEX.
	08	093.08 PFB 1615	M16x1.5	21.5	57.5	24
		093.08 PFB 17	BSP 3/8	21.5	57.5	24



Male thread plug with valve / Verschlussnippel mit Aussengewinde

TYPE 093



Plugs / Nippel	Size / Größe	Order No / Bestellnr.	Ød	Ød1	Ød1	L	L1	HEX.
	08	093.08 PMB 1615-10	M16x1.5	21.5	10	57.5	11	24



Male thread plug with valve / Verschlussnippel mit Aussengewinde

TYPE 093



Plugs / Nippel	Size / Größe	Order No / Bestellnr.	Ød	Ød1	L	L1	HEX.
	08	093.08 PMB 17	BSP 3/8	21.5	57.5	11	24



Standard hose tail plug with valve / Verschlussnippel mit Standard - Schlauchtülle

TYPE 093



Plugs / Nippel	Size / Größe	Order No / Bestellnr.	Ød	Ød1	L	L1	HEX.
	08	093.08 PHB 10	10 mm	21.5	58.5	23	24
		093.08 PHB 12	12 mm	21.5	72	27.5	24



Push to connect hose tail plug with valve tail / Verschlussnippel mit Schnellsteck - Schlauchtülle

TYPE 093



Plugs / Nippel	Size / Größe	Order No / Bestellnr.	Ød	Ød1	L	L1	HEX.
	08	093.08 PPB 10	10 mm	21.5	68.5	24	24
		093.08 PPB 13	13 mm	21.5	72.5	28	24



rtc[®]

COUPLING TECHNOLOGY



094

rtc TYPE





Japanese profile

Temperature Range - Temperaturbereich

Nitrile (N) -20°C + 100°C (- 4°F + 212°F)
FPM (V) -20°C + 180°C (- 4°F + 356°F)

Working Pressure - Betriebsdruck

rtc 094.06 10 bar (145 PSI)

Flow size - Nennweiten

rtc 094.06 6 mm

Standard version - Standardversion

Brass - Messing
Nitrile (N)

Material

Socket Body- Kupplungsgrundkörper	Brass - Messing
Sleeve - Hülse	Brass - Messing
Valve - Ventil	Brass - Messing
Springs - Federn	Stainless steel - Edelstahl
Locking Ring - Sprengring	Stainless steel - Edelstahl
Balls - Kugeln	Stainless steel - Edelstahl
Seals - Dichtungen	Nitrile (N)
Plug - Nippel	Brass - Messing

Options - Optionen

Stainless Steel - Edelstahl
Safety lock - Sicherheitsverriegelung

Using Area

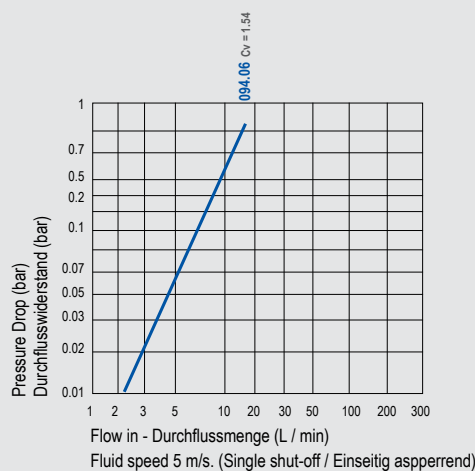
- On temperature regulation applications with hot or cold water, oil etc
- Injection moulding industries
- On steam line

Anwendungsbereiche

- Werkzeugtemperierung
- Kühlung mit Öl oder Wasser
- Kunststoffindustrie
- Dampfanwendungen



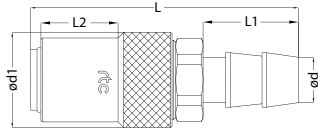
Flow Rate vs Pressure Drop Graph / Durchflussrate vs Druckabfall



094
rtc TYPE

rtc TYPE 094 Standard hose tail socket / Kupplung mit gerader Standard - Schlauchtülle 

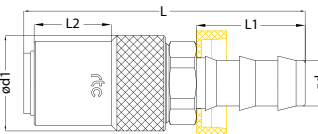
Socket / Kupplung



Size / Größe	Order No / Bestellnr.	Ød	Ød1	L	L1	L2
06	094.06 SHO 06	6 mm	18.5	59	21	17
	094.06 SHO 10	10 mm	18.5	59	21	17

rtc TYPE 094 Push to connect hose tail socket / Kupplung mit gerader Schnellsteck - Schlauchtülle 

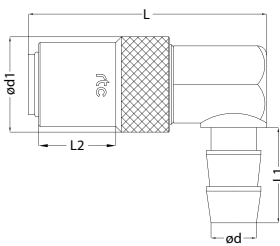
Socket / Kupplung



Size / Größe	Order No / Bestellnr.	Ød	Ød1	L	L1	L2
06	094.06 SPO 06	6 mm	18.5	58	20	17
	094.06 SPO 10	10 mm	18.5	62	24	17

rtc TYPE 094 Standard hose tail socket 90° / Kupplung mit 90° Standard - Schlauchtülle 

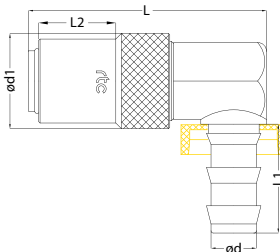
Socket / Kupplung



Size / Größe	Order No / Bestellnr.	Ød	Ød1	L	L1	L2
06	094.06 SHO 06-90	6 mm	18.5	52.5	21	17
	094.06 SHO 10-90	10 mm	18.5	52.5	21	17

rtc TYPE 094 Push to connect hose tail socket 90° / Kupplung mit 90° Schnellsteck - Schlauchtülle 

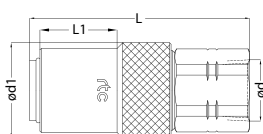
Socket / Kupplung



Size / Größe	Order No / Bestellnr.	Ød	Ød1	L	L1	L2
06	094.06 SPO 06-90	6 mm	18.5	52.5	20	17
	094.06 SPO 10-90	10 mm	18.5	52.5	24	17

rtc TYPE 094 Push to connect hose tail socket / Kupplung mit gerader Schnellsteck - Schlauchtülle 

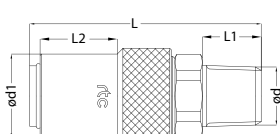
Socket / Kupplung



Size / Größe	Order No / Bestellnr.	Ød	Ød1	L	L1	HEX.
06	094.06 SQO 13	BSPT 1/4	18.5	48.5	17	17
	094.06 SQO 17	BSPT 3/8	18.5	48.5	17	19

rtc TYPE 094 Conical male thread socket / Kupplung mit Aussengewinde konisch 

Socket / Kupplung



Size / Größe	Order No / Bestellnr.	Ød	Ød1	L	L1	L2	HEX
06	094.06 SRO 13	BSPT 1/4	18.5	51	13	17	17
	094.06 SRO 17	BSPT 3/8	18.5	52	14	17	19



Cylindrical male thread socket / Kupplung mit Aussengewinde zylindrisch

TYPE 094



Socket / Kupplung	Size / Größe	Order No / Bestellnr.	Ød	Ød1	L	L1	HEX
	06	094.06 SVO 0915	9x15 mm	18.5	63	13	24



Conical male thread plug / Nippel mit Aussengewinde konisch

TYPE 094



Plug / Nippel	Size / Größe	Order No / Bestellnr.	Ød	Ød1	L	L1	HEX
	06	094.06 PRF 10	BSPT 1/8	8	31	10	12
		094.06 PRF 13	BSPT 1/4	8	34	13	14
		094.06 PRF 17	BSPT 3/8	8	35	14	17



Conical male thread plug 90° / Nippel mit 90° Aussengewinde konisch

TYPE 094



Plug / Nippel	Size / Größe	Order No / Bestellnr.	Ød	Ød1	L	L1	L2	HEX
	06	094.06 PRF 10-90	BSPT 1/8	8	30	10	28	15
		094.06 PRF 13-90	BSPT 1/4	8	33	13	28	15
		094.06 PRF 17-90	BSPT 3/8	8	33	14	29	17



Conical female thread plug / Nippel mit Innengewinde konisch

TYPE 094



Plug / Nippel	Size / Größe	Order No / Bestellnr.	Ød	Ød1	L	HEX
	06	094.06 PQF 10	BSPT 1/8	8	28	14
		094.06 PQF 13	BSPT 1/4	8	30	17
		094.06 PQF 17	BSPT 3/8	8	32	21



Cylindrical male thread socket / Kupplung mit Aussengewinde zylindrisch

TYPE 094



Plug / Nippel	Size / Größe	Order No / Bestellnr.	Ød	Ød1	L	L1
	06	094.06 PHF 06	6 mm	8	42	21
		094.06 PHF 10	10 mm	8	42	21



Cylindrical male thread socket / Kupplung mit Aussengewinde zylindrisch

TYPE 094



Plug / Nippel	Size / Größe	Order No / Bestellnr.	Ød	Ød1	L	L1
	06	094.06 PPF 06	6 mm	8	41	20
		094.06 PPF 10	10 mm	8	45	24



rtc[®]

COUPLING TECHNOLOGY



097

rtc TYPE



Temperature Range - Temperaturbereich
FPM (V) -20°C + 180°C (- 4°F + 356°F)

Working Pressure - Betriebsdruck
rtc 097.08 20 bar (290 PSI)

Working Pressure - Betriebsdruck
Stainless Steel - Edelstahl
rtc 097.08 100 bar (1450 PSI)

Flow size - Nennweite
rtc 097.08 8 mm

Material of Standard Coupler
Material für die Standardversion

Socket body - Kupplungsgrundkörper	Brass - Messing
Valve - Ventil	Brass - Messing
Springs - Federn	Stainless Steel - Edelstahl

Plug body - Nippelsgrundkörper	Brass Nickel plated - Messing vernickelt
Plug back part Nippel hinterteil	Brass Messing

Using Area

- Robotic tool changer
- On temperature regulation applications of mold and tool changer with hot or cold water, oil etc
- Injection moulding industries
- On steam line

Anwendungsbereiche

- Roboterwerkzeugwechsler
- Werkzeugtemperierung
- Kühlung mit Öl oder Wasser
- Kunststoffindustrie
- Dampfanwendungen

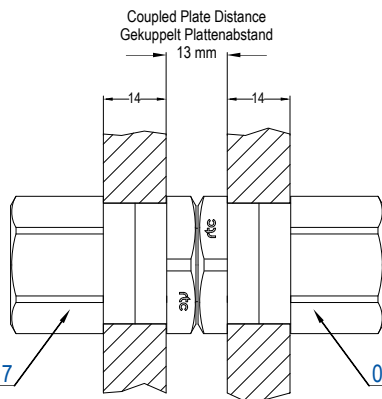
Material of Stainless Steel Coupler

Material für die Edelstahlversion

Socket body - Kupplungsgrundkörper	Stainless Steel - Edelstahl
Sleeve - Hülse	Stainless Steel - Stahl vernickelt
Springs - Federn	Stainless Steel - Edelstahl
Locking Ring - Sprenging	Stainless Steel - Edelstahl
Balls - Kugeln	Stainless Steel - Edelstahl

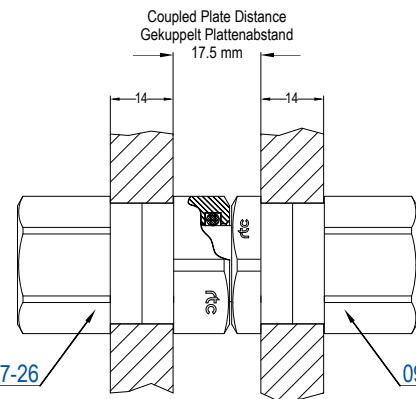
Plug - Nippel

Stainless Steel - Edelstahl



097.08 SFB 17

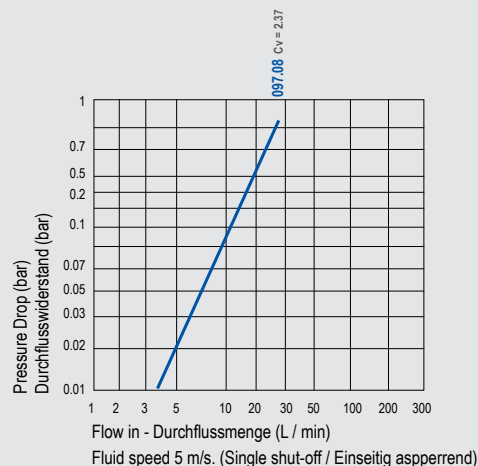
097.08 PFB 17



097.08 SFB 17-26

097.08 PFB 17-32

Flow Rate vs Pressure Drop Graph / Durchflussrate vs Druckabfall



097
rtc TYPE

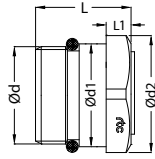
rtc TYPE 097

Male thread socket with valve / Verschlusskupplung mit Aussengewinde



Socket / Kupplung

Size / Größe	Order No / Bestellnr.	Ød	Ød1	Ød2	L	L1	SQR.
08	097.08 SMB 2415	M24x1.5	27	29.5	22	6.5	27



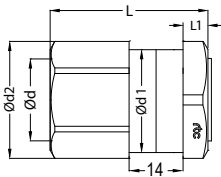
rtc TYPE 097

Female thread socket with valve / Verschlusskupplung mit Innengewinde



Socket / Kupplung

Size / Größe	Order No / Bestellnr.	Ød	Ød1	Ød2	L	L1	SQR.
08	097.08 SFB 17	BSP 3/8	27	29.5	40.5	6.5	27



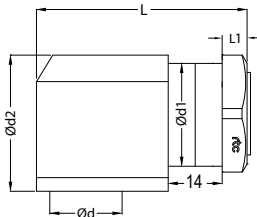
rtc TYPE 097

90° Female thread socket with valve / Verschlusskupplung mit Innengewinde



Socket / Kupplung

Size / Größe	Order No / Bestellnr.	Ød	Ød1	Ød2	L	L1	SQR.
08	097.08 SFB 17-90	BSP 3/8	27	29.5	63	6.5	27



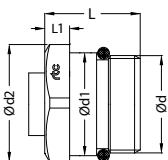
rtc TYPE 097

Male thread plug with valve / Verschlussnippel mit Aussengewinde



Plugs / Nippel

Size / Größe	Order No / Bestellnr.	Ød	Ød1	Ød2	L	L1	SQR.
08	097.08 PMB 2415	M24x1.5	27	29.5	22	6.5	27



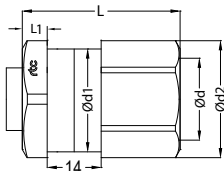
rtc TYPE 097

Female thread plug with valve / Verschlussnippel mit Innengewinde



Plugs / Nippel

Size / Größe	Order No / Bestellnr.	Ød	Ød1	Ød2	L	L1	SQR.
08	097.08 PFB 17	BSP 3/8	27	29.5	46	6.5	27



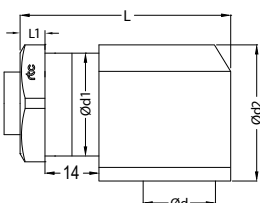
rtc TYPE 097

90° Female thread plug with valve / Verschlussnippel mit Innengewinde



Socket / Kupplung

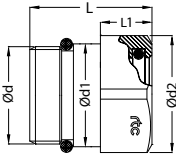
Size / Größe	Order No / Bestellnr.	Ød	Ød1	Ød2	L	L1	SQR.
08	097.08 PFB 17-90	BSP 3/8	27	29.5	63	6.3	27





Male thread socket with valve / Verschlusskupplung mit Aussengewinde

TYPE 097 **rtc**

Socket / Kupplung	Size / Größe	Order No / Bestellnr.	Ød	Ød1	Ød2	L	L1	SQR.
	08	097.08 SMB 2415x26	M24x1.5	27	29.5	26.5	11	27



Female thread socket with valve / Verschlusskupplung mit Innengewinde

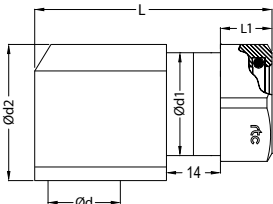
TYPE 097 **rtc**

Socket / Kupplung	Size / Größe	Order No / Bestellnr.	Ød	Ød1	Ød2	L	L1	SQR.
	08	097.08 SFB 17x26	BSP 3/8	27	29.5	45	11	27



Female thread socket with valve / Verschlusskupplung mit Innengewinde

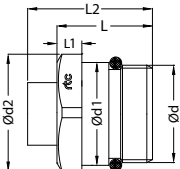
TYPE 097 **rtc**

Socket / Kupplung	Size / Größe	Order No / Bestellnr.	Ød	Ød1	Ød2	L	L1	SQR.
	08	097.08 SFB 17x26-90	BSP 3/8	27	29.5	67.5	11	27



Plug with male thread / Nippel mit Aussengewinde

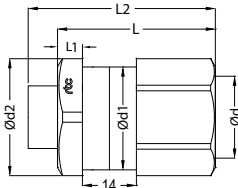
TYPE 097 **rtc**

Plugs / Nippel	Size / Größe	Order No / Bestellnr.	Ød	Ød1	Ød2	L	L1	L2	SQR.
	08	097.08 PMB 2415x32	M24x1.5	27	29.5	22	6.5	32	27



Female thread plug with valve / Verschlussnippel mit Innengewinde

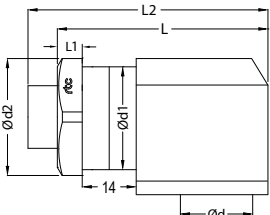
TYPE 097 **rtc**

Plugs / Nippel	Size / Größe	Order No / Bestellnr.	Ød	Ød1	Ød2	L	L1	L2	SQR.
	08	097.08 PFB 17x32	BSP 3/8	27	29.5	46	6.5	50.5	27



Female thread plug with valve / Verschlussnippel mit Innengewinde

TYPE 097 **rtc**

Socket / Kupplung	Size / Größe	Order No / Bestellnr.	Ød	Ød1	Ød2	L	L1	L2	SQR.
	08	097.08 PFB 17x32-90	BSP 3/8	27	29.5	63	6.5	73	27



rtc[®]

COUPLING TECHNOLOGY



098

rtc TYPE



Temperature Range - Temperaturbereich
FPM (V) -20°C + 180°C (- 4°F + 356°F)

Working Pressure - Betriebsdruck
rtc 098.06 16 bar (290 PSI)
rtc 098.08 20 bar (290 PSI)
rtc 098.12 20 bar (290 PSI)

Working Pressure - Betriebsdruck
Stainless Steel - Edelstahl
rtc 098.08 100 bar (1450 PSI)
rtc 098.12 100 bar (1450 PSI)

Flow size - Nennweite
rtc 098.06 6 mm
rtc 098.08 8 mm
rtc 098.12 12 mm

Material of Standard Coupler
Material für die Standardversion
Socket body - Brass -
Kupplungsgrundkörper Messing
Valve - Ventil Brass - Messing
Springs - Federn Stainless Steel - Edelstahl

Plug body - Brass Nickel plated -
Nippelsgrundkörper Messing vernickelt
Plug back part Brass
Nippel hinterteil Messing

Material of rtc 098.06
- Aluminium socket and plug body
- Aluminium Nippel und Kupplungsgrundkörper

Using Area

- On temperature regulation applications of mold and tool changer with hot or cold water, oil etc
- Injection moulding industries
- On steam line

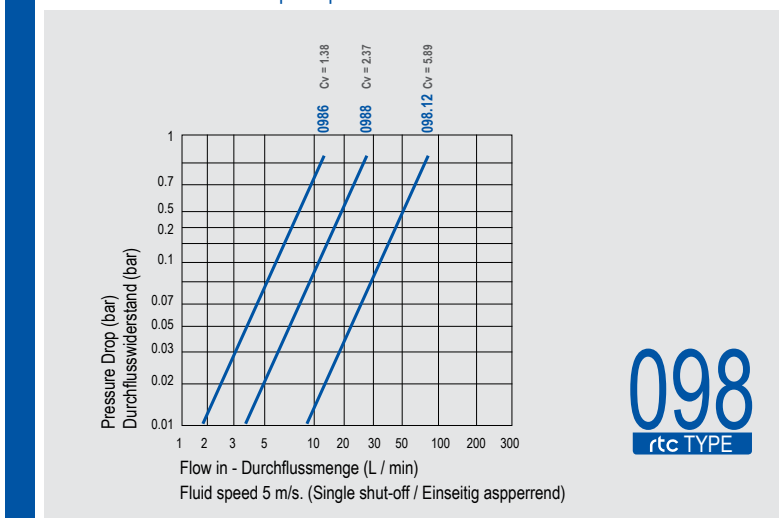
Anwendungsbereiche

- Werkzeugtemperierung
- Kühlung mit Öl oder Wasser
- Kunststoffindustrie
- Dampfanwendungen

Material of Stainless Steel Coupler
Material für die Edelstahlversion
Socket body - Stainless Steel -
Kupplungsgrundkörper Edelstahl
Sleeve - Stainless Steel -
Hülse Stahl vernickelt
Springs - Federn Stainless Steel - Edelstahl
Locking Ring - Sprengring Stainless Steel - Edelstahl
Balls - Kugeln Stainless Steel - Edelstahl
Plug - Nippel Stainless Steel - Edelstahl



Flow Rate vs Pressure Drop Graph / Durchflussrate vs Druckabfall



098
rtc TYPE

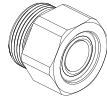
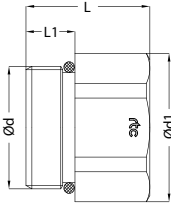
rtc TYPE 098.06

Male thread socket with valve / Verschlusskupplung mit Aussengewinde

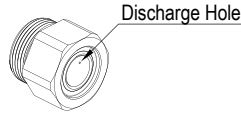


Socket / Kupplung

Size / Größe	Order No / Bestellnr.	Ød	Ød1	L	L1	HEX.
06	098.06 SMB 1810	M18x1.0	22	18.2	7.2	20
06	098.06 SMB 1810-DH	M18x1.0	22	18.2	7.2	20



Standard Version



-DH Type

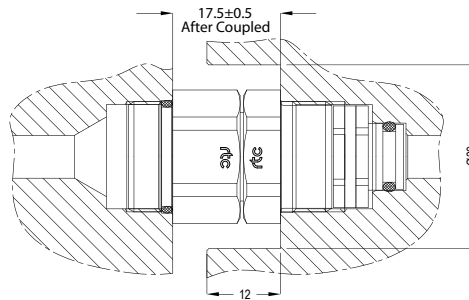
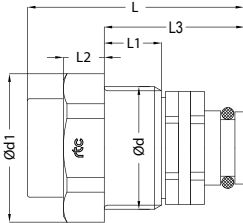
rtc TYPE 098.06

Male thread plug with valve / Verschlussnippel mit Aussengewinde



Plugs / Nippel

Size / Größe	Order No / Bestellnr.	Ød	Ød1	L	L1	L2	L3	HEX.
06	098.06 PMB 1810	M18x1.0	22	31.8	10.5	5.9	20.5	20



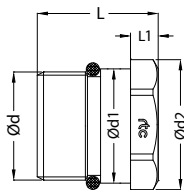
rtc TYPE 098

Male thread socket with valve / Verschlusskupplung mit Aussengewinde



Socket / Kupplung

Size / Größe	Order No / Bestellnr.	Ød	Ød1	Ød2	L	L1	HEX.
08	098.08 SMB 2415	M24x1.5	27	29.5	22	6.5	27
12	098.12 SMB 3315	M33x1.5	38	42	22	6.5	38



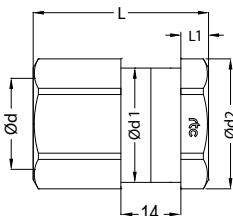
rtc TYPE 098

Female thread socket with valve / Verschlusskupplung mit Innengewinde



Socket / Kupplung

Size / Größe	Order No / Bestellnr.	Ød	Ød1	Ød2	L	L1	HEX.
08	098.08 SFB 17	BSP 3/8	27	29.5	40.5	6.5	27
12	098.12 SFB 26	BSP 3/4	38	42	48	6.5	38



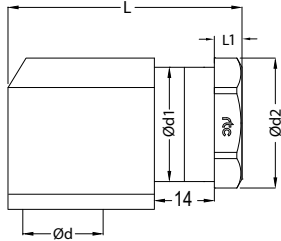


90° Female thread socket with valve / 90° Verschlusskupplung mit Innengewinde

TYPE 098



Socket / Kupplung



Size / Größe	Order No / Bestellnr.	Ød	Ød1	Ød2	L	L1	HEX.
08	098.08 SFB 17-90	BSP 3/8	27	29.5	63	6.5	27
12	098.12 SFB 21-90	BSP 1/2	38	42	63	6.5	38
12	098.12 SFB 26-90	BSP 3/4	38	42	68	6.5	38

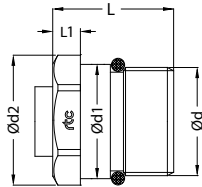


Male thread plug with valve / Verschlussnippel mit Aussengewinde

TYPE 098



Plugs / Nippel



Size / Größe	Order No / Bestellnr.	Ød	Ød1	Ød2	L	L1	HEX.
08	098.08 PMB 2415	M24x1.5	27	29.5	22	6.5	27
12	098.12 PMB 3315	M33x1.5	38	42	22	6.5	38

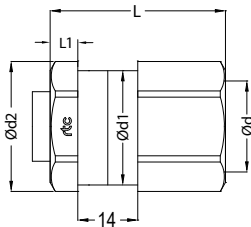


Female thread plug with valve / Verschlussnippel mit Innengewinde

TYPE 098



Plugs / Nippel



Size / Größe	Order No / Bestellnr.	Ød	Ød1	Ød2	L	L1	HEX.
08	098.08 PFB 17	BSP 3/8	27	29.5	46	6.5	27
12	098.12 PFB 26	BSP 3/4	38	42	48	6.5	38

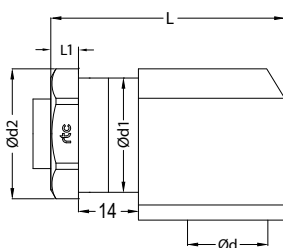


90° Female thread plug with valve / 90° Verschlussnippel mit Innengewinde

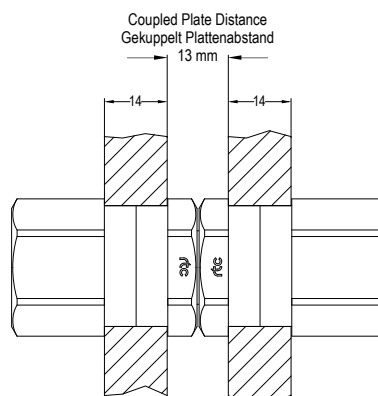
TYPE 098

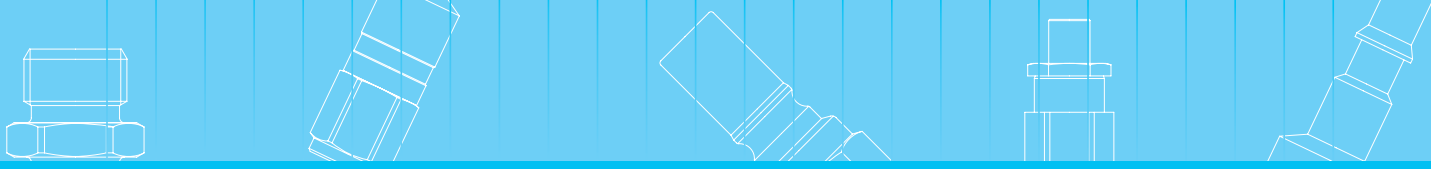


Plugs / Nippel



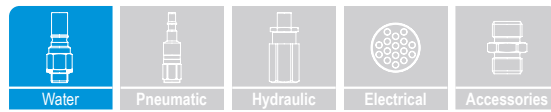
Size / Größe	Order No / Bestellnr.	Ød	Ød1	Ød2	L	L1	HEX.
08	098.08 PFB 17-90	BSP 3/8	27	29.5	63	6.5	27
12	098.12 PFB 21-90	BSP 1/2	38	42	63	6.5	38
12	098.12 PFB 26-90	BSP 3/4	38	42	68	6.5	38





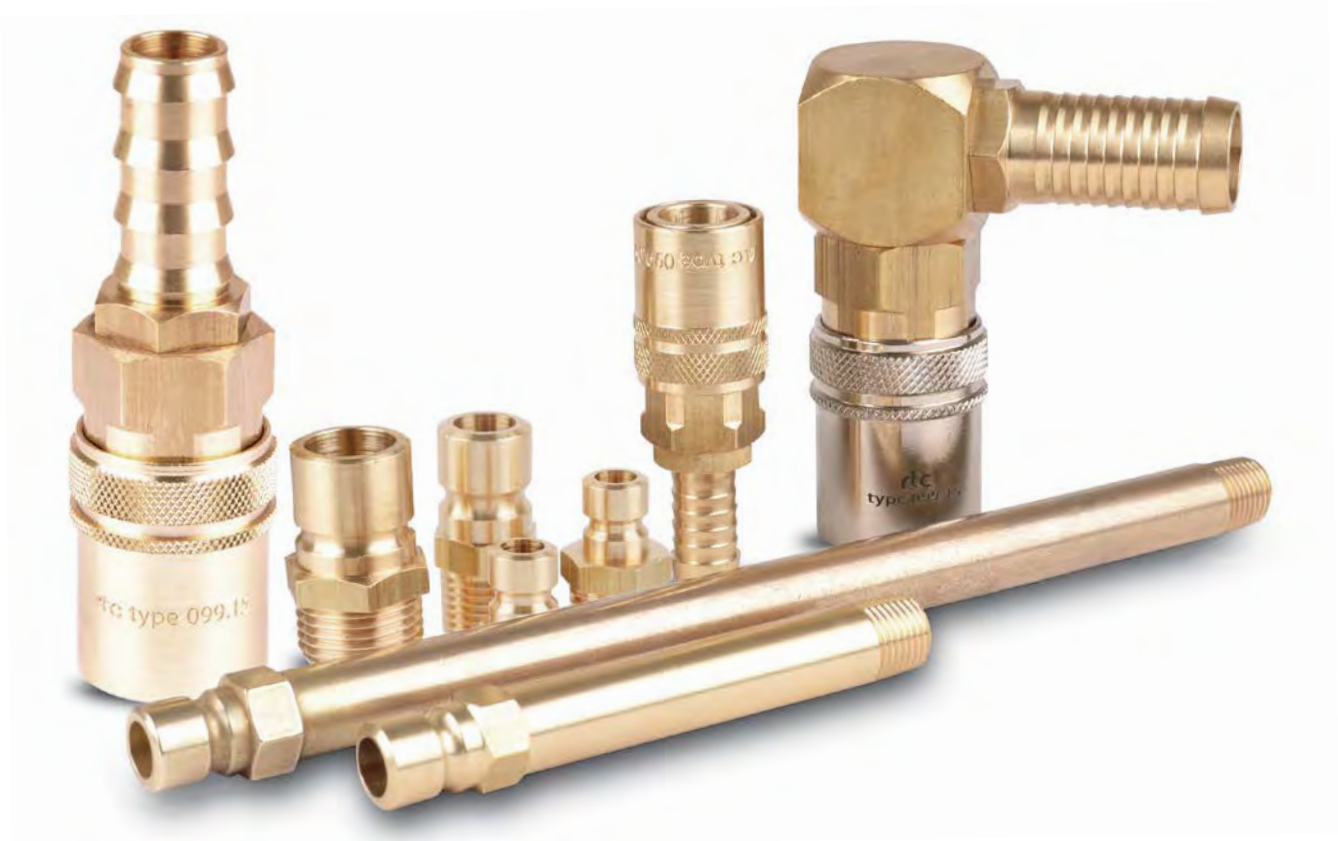
rtc[®]

COUPLING TECHNOLOGY



099

rtc TYPE





International Profile

Temperature Range - Temperaturbereich

FPM (V) -20°C + 180°C (- 4°F + 356°F)

Working Pressure - Betriebsdruck

rtc 099.06 0 - 10 bar (0 - 145 PSI)

rtc 099.09 0 - 15 bar (0 - 217 PSI)

rtc 099.15 0 - 15 bar (0 - 217 PSI)

Flow size - Nennweiten

rtc 099.06 6 mm

rtc 099.09 9 mm

rtc 099.15 15 mm

Standard version - Standardversion

Brass - Messing

Seals FPM (V) - FPM dichtungen

Material

Coupler Body- Kupplungsgrundkörper Brass - Messing

Sleeve - Hülse Brass - Messing

Valve - Ventil Brass - Messing

Springs - Federn Stainless steel - Edelstahl

Locking Ring- Sprengring Stainless steel - Edelstahl

Balls - Kugeln Stainless steel - Edelstahl

Seals - Dichtungen FPM (V)

Plug - Nippel Brass - Messing

Options - Optionen

Stainless Steel - Edelstahl

Safety lock - Sicherheitsentriegelung

Using Area

- On temperature regulation applications

with hot or cold water, oil etc

- Injection moulding industries

- On steam line

Anwendungsbereiche

- Werkzeugtemperierung

- Kühlung mit Öl oder Wasser

- Kunststoffindustrie

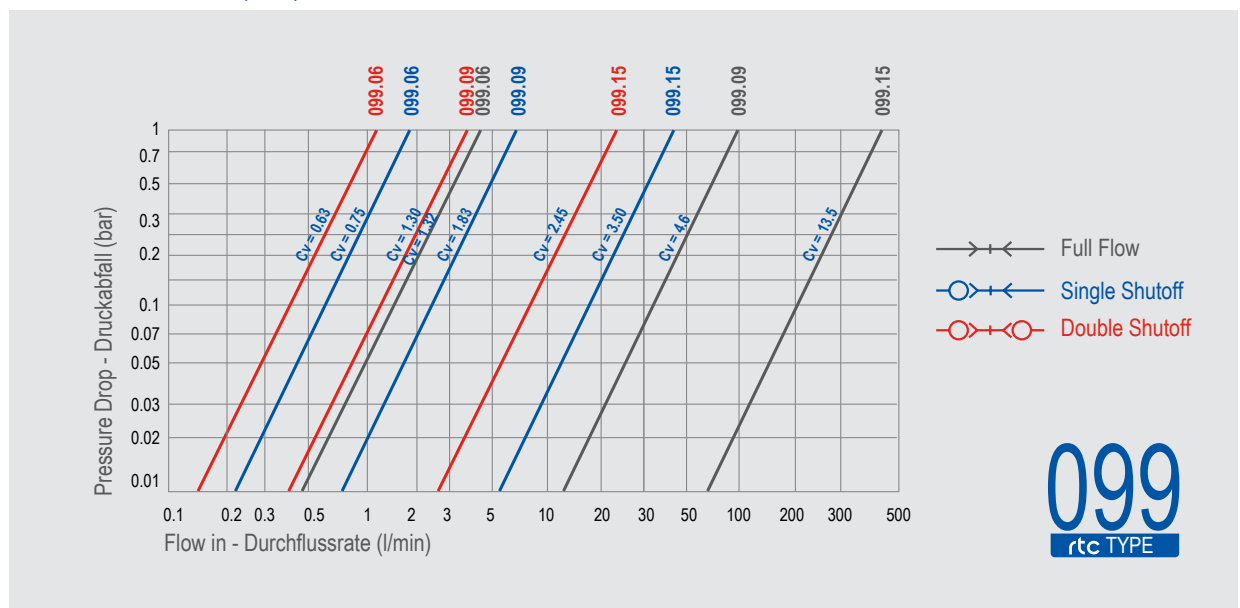
- Dampfanwendungen



Safety type coupler for disconnect protection
Sicherheitsfunktion für das ungewollte Trennen





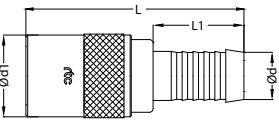
Add "S" to item code / Fügen Sie "S" zur Artikelnummer hinzu

Flow Rate vs Pressure Drop Graph





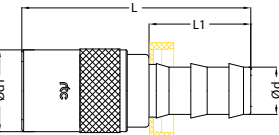


099
rtc TYPE





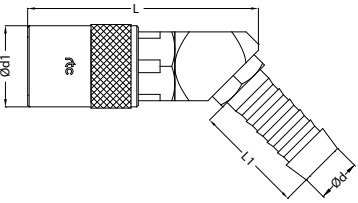
rtc TYPE 099 Standard hose tail socket / Kupplung mit gerader Standard - Schlauchtülle

Socket / Kupplung	Size / Größe	Order No / Bestellnr.	Order No / Bestellnr.	Ød	Ød1	L		L1
								
	06	099.06 SHB 06	099.06 SHF 06	6 mm	17	56	50	23
		099.06 SHB 09	099.06 SHF 09	9 mm	17	56	50	23
		099.06 SHB 13	099.06 SHF 13	13 mm	17	56	52	25
	09	099.09 SHB 09	099.09 SHF 09	9 mm	23	67	58	23
		099.09 SHB 13	099.09 SHF 13	13 mm	23	69	60	25
	15	099.15 SHB 16	099.15 SHF 16	16 mm	32	88	71	25
		099.15 SHB 19	099.15 SHF 19	19 mm	32	95	78	32





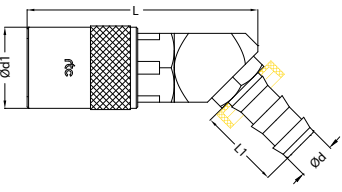
rtc TYPE 099 Push to connect hose tail socket / Kupplung mit gerader Schnellsteck - Schlauchtülle

Socket / Kupplung	Size / Größe	Order No / Bestellnr.	Order No / Bestellnr.	Ød	Ød1	L		L1
								
	06	099.06 SPB 06	099.06 SPF 06	6 mm	17	53	46	19
		099.06 SPB 10	099.06 SPF 10	10 mm	17	58	51	24
		099.06 SPB 13	099.06 SPF 13	13 mm	17	62	55	28
	09	099.09 SPB 10	099.09 SPF 10	10 mm	22	68	59	24
		099.09 SPB 13	099.09 SPF 13	13 mm	22	72	63	28
	15	099.15 SPB 16	099.15 SPF 16	16 mm	32	101	84	38
		099.15 SPB 19	099.15 SPF 19	19 mm	32	101	84	38


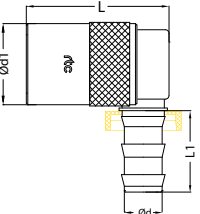
rtc TYPE 099 Standard hose tail socket 45° / Kupplung mit 45° Standard - Schlauchtülle

Socket / Kupplung	Size / Größe	Order No / Bestellnr.	Order No / Bestellnr.	Ød	Ød1	L		L1
								
	06	099.06 SHB 06-45	099.06 SHF 06-45	6 mm	17	47	47	23
		099.06 SHB 09-45	099.06 SHF 09-45	9 mm	17	47	47	23
		099.06 SHB 13-45	099.06 SHF 13-45	13 mm	17	47	47	23
	09	099.09 SHB 09-45	099.09 SHF 09-45	9 mm	23	60	60	23
		099.09 SHB 13-45	099.09 SHF 13-45	13 mm	23	60	60	25
	15	099.15 SHB 16-45	099.15 SHF 16-45	16 mm	32	78	78	25
		099.15 SHB 19-45	099.15 SHF 19-45	19 mm	32	78	78	32

rtc TYPE 099 Push to connect hose tail socket 45° / Kupplung mit 45° Schnellsteck - Schlauchtülle

Socket / Kupplung	Size / Größe	Order No / Bestellnr.	Order No / Bestellnr.	Ød	Ød1	L		L1
								
	06	099.06 SPB 06-45	099.06 SPF 06-45	6 mm	17	47	47	19
		099.06 SPB 10-45	099.06 SPF 10-45	10 mm	17	47	47	24
		099.06 SPB 13-45	099.06 SPF 13-45	13 mm	17	47	47	28
	09	099.09 SPB 10-45	099.09 SPF 10-45	10 mm	23	60	60	24
		099.09 SPB 13-45	099.09 SPF 13-45	13 mm	23	60	60	28
	15	099.15 SPB 16-45	099.15 SPF 16-45	16 mm	32	78	78	38
		099.15 SPB 19-45	099.15 SPF 19-45	19 mm	32	78	78	38

rtc TYPE 099 Water jumper socket 90° (Bridge body) / Kupplung mit 90° Wasserjumper (Brückenkörper)





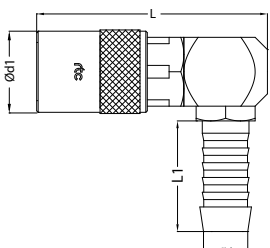
Socket / Kupplung	Size / Größe	Order No / Bestellnr.	Ød	Ød1	L	L1
						
	06	099.06 SPF 06-90X26	6 mm	17	26	19
		099.06 SPF 10-90X26	10 mm	17	26	24
	09	099.09 SPF 10-90X36	9 mm	23	36	24
		099.09 SPF 13-90X36	13 mm	23	36	28



Standard hose tail socket 90° / Kupplung mit 90° Standard - Schlauchtülle

TYPE 099







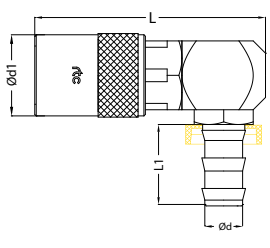
Socket / Kupplung	Size / Größe	Order No / Bestellnr.		Ød	Ød1	L		L1
								
	06	099.06 SHB 06-90	099.06 SHF 06-90	6 mm	17	47	47	23
		099.06 SHB 09-90	099.06 SHF 09-90	9 mm	17	47	47	23
		099.06 SHB 13-90	099.06 SHF 13-90	13 mm	17	47	47	23
	09	099.09 SHB 09-90	099.09 SHF 09-90	9 mm	23	60	60	23
		099.09 SHB 13-90	099.09 SHF 13-90	13 mm	23	60	60	25
	15	099.15 SHB 16-90	099.15 SHF 16-90	16 mm	32	83	83	25
099.15 SHB 19-90		099.15 SHF 19-90	19 mm	32	83	83	32	



Push to connect hose tail socket 90° / Kupplung mit 90° Schnellsteck - Schlauchtülle

TYPE 099





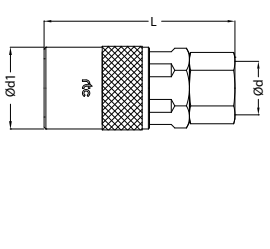
Socket / Kupplung	Size / Größe	Order No / Bestellnr.		Ød	Ød1	L		L1
								
	06	099.06 SPB 06-90	099.06 SPF 06-90	6 mm	17	47	47	19
		099.06 SPB 10-90	099.06 SPF 10-90	10 mm	17	47	47	24
		099.06 SPB 13-90	099.06 SPF 13-90	13 mm	17	47	47	28
	09	099.09 SPB 10-90	099.09 SPF 10-90	10 mm	23	60	60	24
		099.09 SPB 13-90	099.09 SPF 13-90	13 mm	23	60	60	28
	15	099.15 SPB 16-90	099.15 SPF 16-90	16 mm	32	83	83	38
099.15 SPB 19-90		099.15 SPF 19-90	19 mm	32	83	83	38	



Cylindrical Female Thread socket / Kupplung Innengewinde zylindrisch

TYPE 099





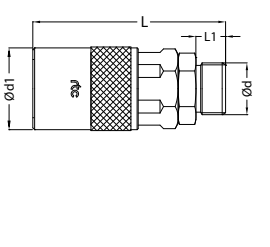
Socket / Kupplung	Size / Größe	Order No / Bestellnr.		Ød	Ød1	L	HEX.
							
	06	099.06 SFB 10	099.06 SFF 10	BSP 1/8	17	40	14
		099.06 SFB 13	099.06 SFF 13	BSP 1/4	17	42	16
		099.06 SFB 17	099.06 SFF 17	BSP 3/8	17	42	19
	09	099.09 SFB 13	099.09 SFF 13	BSP 1/4	22	50	17
		099.09 SFB 17	099.09 SFF 17	BSP 3/8	22	51	19
		099.09 SFB 21	099.09 SFF 21	BSP 1/2	22	55	24
	15	099.15 SFB 21	099.15 SFF 21	BSP 1/2	31	69	27
		099.15 SFB 26	099.15 SFF 26	BSP 3/4	31	74	30





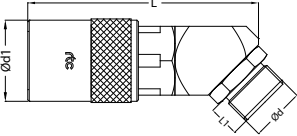
Cylindrical male thread socket / Kupplung mit Aussengewinde zylindrisch

TYPE 099



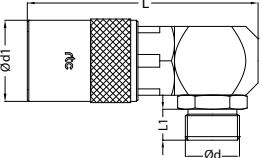


Socket / Kupplung	Size / Größe	Order No / Bestellnr.		Ød	Ød1	L	L1	HEX.
								
	06	099.06 SMB 13	099.06 SMF 13	BSP 1/4	17	46	11	14
		099.06 SMB 17	099.06 SMF 17	BSP 3/8	17	46	11	17
		099.06 SMB 1415	099.06 SMF 1415	M14x1.5	17	46	11	15
		099.06 SMB 1615	099.06 SMF 1615	M16x1.5	17	46	11	17
	09	099.09 SMB 13	099.09 SMF 13	BSP 1/4	22	56	11	17
		099.09 SMB 17	099.09 SMF 17	BSP 3/8	22	56	11	17
		099.09 SMB 21	099.09 SMF 21	BSP 1/2	22	57	12	21
		099.09 SMB 1615	099.09 SMF 1615	M16x1.5	22	56	11	17
	15	099.15 SMB 21	099.15 SMF 21	BSP 1/2	31	75	12	22
		099.15 SMB 26	099.15 SMF 26	BSP 3/4	31	79	16	30
		099.15 SMB 2415	099.15 SMF 2415	M24x1.5	31	79	16	27


rtc TYPE 099 Cylindrical male thread socket 45° / Kupplung mit 45° Aussengewinde zylindrisch

Socket / Kupplung	Size / Größe	Order No / Bestellnr. 	Order No / Bestellnr. 	Ød	Ød1	L	L1	HEX.
	06	099.06 SMB 13-45	099.06 SMF 13-45	BSP 1/4	17	47	11	14
		099.06 SMB 17-45	099.06 SMF 17-45	BSP 3/8	17	47	11	17
		099.06 SMB 1415-45	099.06 SMF 1415-45	M14x1.5	17	47	11	15
		099.06 SMB 1615-45	099.06 SMF 1615-45	M16x1.5	17	47	11	17
	09	099.09 SMB 17-45	099.09 SMF 17-45	BSP 3/8	22	60	11	17
		099.09 SMB 1615-45	099.09 SMF 1615-45	M16x1.5	22	60	11	17
	15	099.15 SMB 21-45	099.15 SMF 21-45	BSP 1/2	31	78	12	22
		099.15 SMB 2415-45	099.15 SMF 2415-45	M24x1.5	31	78	16	30

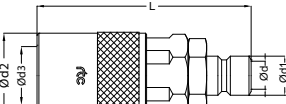
rtc TYPE 099 Cylindrical Male Thread socket 90° / Kupplung mit 90° Aussengewinde zylindrisch

Socket / Kupplung	Size / Größe	Order No / Bestellnr. 	Order No / Bestellnr. 	Ød	Ød1	L	L1	HEX.
	06	099.06 SMB 13-90	099.06 SMF 13-90	BSP 1/4	17	47	11	14
		099.06 SMB 17-90	099.06 SMF 17-90	BSP 3/8	17	47	11	17
		099.06 SMB 1415-90	099.06 SMF 1415-90	M14x1.5	17	47	11	15
		099.06 SMB 1615-90	099.06 SMF 1615-90	M16x1.5	17	47	11	17
	09	099.09 SMB 17-90	099.09 SMF 17-90	BSP 3/8	22	60	11	17
		099.09 SMB 1615-90	099.09 SMF 1615-90	M16x1.5	22	60	11	17
	15	099.15 SMB 21-90	099.15 SMF 21-90	BSP 1/2	31	83	12	22
		099.15 SMB 2415-90	099.15 SMF 2415-90	M24x1.5	31	83	16	30

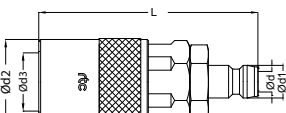
rtc TYPE 099 Blank end socket / Blindkupplung

Socket / Kupplung	Size / Größe	Order No / Bestellnr.	Ød1	L
	6	099.06 PL 00	17	27
	9	099.09 PL 00	23	35
	15	099.15 PL 00	32	50

rtc TYPE 099 Adapting socket with the plug / Adapterkupplung mit Nippel

Socket & Plug / Kupplung & Nippel	Order No / Bestellnr. With Valve / Mit Ventil	Order No / Bestellnr. Without Valve / Ohne Ventil	Plug Size Nippel Größe (Ød)	Ød1	Ød2	Socket Size Kupplung Größe (Ød3)	L	Passage
	099.06 SXB 099.06	099.06 SXF 099.06	6	9.5	17	9.5	44	6
	099.06 SXB 099.09	099.06 SXF 099.09	9	13.5	23	9.5	49	6
	099.09 SXB 099.06	099.09 SXF 099.06	6	9.5	17	13.5	55	6
	099.09 SXB 099.09	099.09 SXF 099.09	9	13.5	23	13.5	60	9

rtc TYPE 099 Adapting socket with the plug / Adapterkupplung mit Nippel

Socket & Plug / Kupplung & Nippel	Order No / Bestellnr. With Valve / Mit Ventil	Order No / Bestellnr. Without Valve / Ohne Ventil	Plug Size Nippel Größe (Ød)	Ød1	Ød2	Socket Size Kupplung Größe (Ød3)	L	Passage
	099.06 SXB 090.06	099.06 SXF 090.06	6	9	17	9.5	48	6
	099.06 SXB 090.09	099.06 SXF 090.09	9	13	23	9.5	48	6
	099.09 SXB 090.06	099.09 SXF 090.06	6	9	17	13.5	58	6
	099.09 SXB 090.09	099.09 SXF 090.09	9	13	23	13.5	58	9

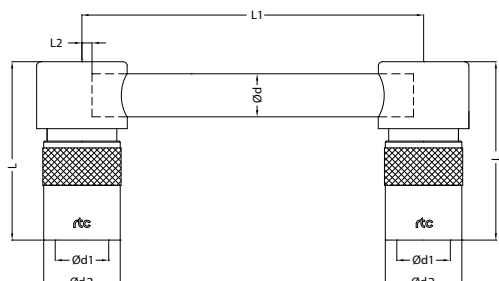


Diverting sockets / Umlenkklupplung

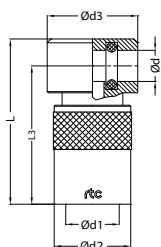
TYPE 099



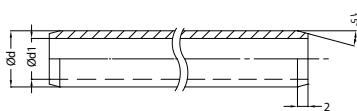
Socket / Kupplung



Size Größe	Order No / Bestellnr. Without Valve / Ohne Ventil	Ød	Ød1	Ød2	L	L1	L2
6	099.06 SCF 125	8x1	9.4	17	41	125	2
6	099.06 SCF 250	8x1	9.4	17	41	250	2
6	099.06 SCF 500	8x1	9.4	17	41	500	2
9	099.09 SCF 125	10x1	13.5	23	52.5	125	2
9	099.09 SCF 250	10x1	13.5	23	52.5	250	2
9	099.09 SCF 500	10x1	13.5	23	52.5	500	2



Size Größe	Order No / Bestellnr. Without Valve / Ohne Ventil	Ød	Ød1	Ød2	Ød3	L	L3
6	099.06 SCF 00	8x1	9.4	17	20	41	34
9	099.09 SCF 00	10x1	13.5	23	26	50.5	42.5



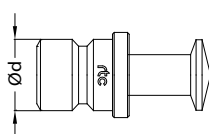
Pipe preparation / Verbindungsrohr

Brass Tube Messing Rohr	Ød	Ød1	Length Länge
TBM 0810x1000	8	6	1000mm
TBM 1010x1000	10	8	1000mm
TBM 1410x1000	14	12	1000mm

Stop Plug / Blindnippel



Plug / Nippel



Size / Größe	Order No / Bestellnr.	Ød
6	099.06 SL 00	9.4
9	099.09 SL 00	13.5
15	099.15 SL 00	20

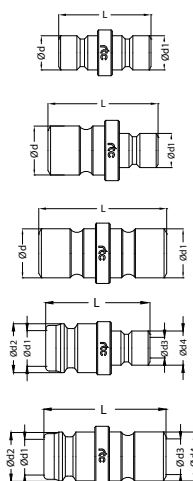


Adapting Plug 099 - 06 / Adapternippel 099 - 09

TYPE 099



Plug / Nippel



Order No / Bestellnr. Without Valve / Ohne Ventil	Body Size Größe	Ød	Ød1	L
099.06 PXP 099.06	6	9.4	9.4	25
099.06 PXP 099.09	9	13.5	9.4	32
099.09 PXP 099.09	9	13.5	13.5	34
099.09 PXP 090.06	9	6	9.5	29
099.09 PXP 090.09	13	9	13.5	36

rtc TYPE 099.06

Conical male thread plug / Nippel mit Aussengewinde konisch



Plug / Nippel	Size / Größe	Order No / Bestellnr.	Ød	Ød1	L	L1	HEX.
	06	099.06 PRF 10	BSPT 1/8	9.4	24	9	11
		099.06 PRF 13	BSPT 1/4	9.4	27	12	14
		099.06 PRF 17	BSPT 3/8	9.4	27	12	17
		099.06 PTF 10	NPT 1/8	9.4	24	9	11
		099.06 PTF 13	NPT 1/4	9.4	28	13	14
		099.06 PTF 17	NPT 3/8	9.4	28	13	17
		099.06 PKF 1010	M10x1	9.4	24	9	11
		099.06 PKF 1415	M14x1.5	9.4	26	11	15
		099.06 PKF 1615	M16x1.5	9.4	26	11	17

rtc TYPE 099.09

Conical male thread plug / Nippel mit Aussengewinde konisch



Plug / Nippel	Size / Größe	Order No / Bestellnr.	Ød	Ød1	L	L1	HEX.
	09	099.09 PRF 13	BSPT 1/4	13.5	33	12	14
		099.09 PRF 17	BSPT 3/8	13.5	33	12	17
		099.09 PRF 21	BSPT 1/2	13.5	38	17	22
		099.09 PTF 13	NPT 1/4	13.5	34	13	14
		099.09 PTF 17	NPT 3/8	13.5	33	13	17
		099.09 PTF 21	NPT 1/2	13.5	38	17	22
		099.09 PKF 1010	M10x1	13.5	32	10	14
		099.09 PKF 1415	M14x1.5	13.5	32	11	15
		099.09 PKF 1615	M16x1.5	13.5	33	12	17

rtc TYPE 099.15

Conical male thread plug / Nippel mit Aussengewinde konisch



Plug / Nippel	Size / Größe	Order No / Bestellnr.	Ød	Ød1	L	L1	HEX.
	15	099.15 PRF 13	BSPT 1/4	20	38	12	21
		099.15 PRF 17	BSPT 3/8	20	38	12	21
		099.15 PRF 21	BSPT 1/2	20	42	16	22
		099.15 PRF 26	BSPT 3/4	20	44	18	27
		099.15 PTF 17	NPT 3/8	20	39	13	22
		099.15 PTF 21	NPT 1/2	20	42	16	22
		099.15 PTF 26	NPT 3/4	20	44	18	27

rtc TYPE 099

Standard Hose Plug / Standard Schlauchtülle



Plug / Nippel	Size / Größe	Order No / Bestellnr.	Ød	Ød1	L	L1
	6	099.06 PHF 06	6 mm	9.4	36	22.5
	6	099.06 PHF 09	9 mm	9.4	36	22.5
	9	099.09 PHF 09	9 mm	13.5	41	22.5
	9	099.09 PHF 13	13 mm	13.5	44	25
	15	099.15 PHF 16	16 mm	20	48	32
	15	099.15 PHF 19	19 mm	20	55	32

rtc TYPE 099

Standard hose tail plug / Nippel mit gerader Standard - Schlauchtülle



Plug / Nippel	Size / Größe	Order No / Bestellnr.	Ød	Ød1	L	L1
	6	099.06 PPF 06	6 mm	9.4	38	24
	6	099.06 PPF 10	9 mm	9.4	38	24
	9	099.09 PPF 10	9 mm	13.5	43	24
	9	099.09 PPF 13	13 mm	13.5	47	28
	15	099.15 PPF 16	16 mm	20	61	38
	15	099.15 PPF 19	19 mm	20	67	38



Conical male thread plug with valve / Verschlussnippel mit Aussengewinde konisch

TYPE 099.06



Plug / Nippel	Size / Größe	Order No / Bestellnr.	Ød	Ød1	L	L1	HEX.
	06	099.06 PRB 13	BSPT 1/4	9.4	27	12	14
		099.06 PRB 17	BSPT 3/8	9.4	27	12	17
		099.06 PTB 13	NPT 1/4	9.4	27	12	14
		099.06 PTB 17	NPT 3/8	9.4	27	12	17
		099.06 PKB 1415	M14x1.5	9.4	27	12	15



Conical male thread plug with valve / Verschlussnippel mit Aussengewinde konisch

TYPE 099.09



Plug / Nippel	Size / Größe	Order No / Bestellnr.	Ød	Ød1	L	L1	HEX.
	09	099.09 PRB 13	BSPT 1/4	13.5	30	12	14
		099.09 PRB 17	BSPT 3/8	13.5	31.5	12	17
		099.09 PRB 21	BSPT 1/2	13.5	37.5	16	22
		099.09 PTB 13	NPT 1/4	13.5	30	12	14
		099.09 PTB 17	NPT 3/8	13.5	31.5	12	17
		099.09 PTB 21	NPT 1/2	13.5	37.5	16	22
		099.09 PKB 1415	M14x1.5	13.5	31.5	10	15
		099.09 PKB 1615	M16x1.5	13.5	31.5	10	17



Conical male thread plug with valve / Verschlussnippel mit Aussengewinde konisch

TYPE 099.15



Plug / Nippel	Size / Größe	Order No / Bestellnr.	Ød	Ød1	L	L1	HEX.
	15	099.15 PRB 21	BSPT 1/2	20	45.5	12	22
		099.15 PRB 26	BSPT 3/4	20	45.5	16	27
		099.15 PTB 21	NPT 1/2	20	45.5	12	22
		099.15 PTB 26	NPT 3/4	20	45.5	16	27



Conical male thread plug inner hex / Nippel mit Aussengewinde konisch mit Innensechskant

TYPE 099.06



Plug / Nippel	Size / Größe	Order No / Bestellnr.	Ød	Ød1	L	L1	Inner HEX.
	06	099.06 PRFH 10	BSPT 1/8	9.4	23	9	5
		099.06 PRFH 13	BSPT 1/4	9.4	23	13	5
		099.06 PKFH 1010	M10x1	9.4	23	9	5
		099.06 PKFH 1415	M14x1.5	9.4	25	9	5



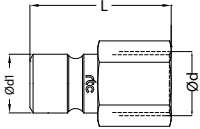
Conical male thread plug inner hex / Nippel mit Aussengewinde konisch mit Innensechskant

TYPE 099.09



Plug / Nippel	Size / Größe	Order No / Bestellnr.	Ød	Ød1	L	L1	Inner HEX.
	09	099.09 PRFH 13	BSPT 1/4	13.5	28	13	8
		099.09 PRFH 17	BSPT 3/8	13.5	28	13	8
		099.09 PRFH 21	BSPT 1/2	13.5	30	15	8
		099.09 PKFH 1415	M14x1.5	13.5	28	9	8
		099.09 PKFH 1615	M16x1.5	13.5	28	9	8

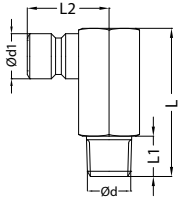
rtc TYPE 099.06 Plugs with female thread / Nippel mit Innengewinde

Plug / Nippel	Size / Größe	Order No / Bestellnr.	Ød	Ød1	L	L1	HEX.
	06	099.06 PFF 10	BSP 1/8	9.4	22	7	13
		099.06 PFF 13	BSP 1/4	9.4	23	9	16
		099.06 PFF 17	BSP 3/8	9.4	24	9	19
	09	099.09 PFF 13	BSP 1/4	13.5	27	9	17
		099.09 PFF 17	BSP 3/8	13.5	28	9	19
		099.09 PFF 21	BSP 1/2	13.5	30	12	24

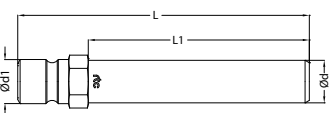
rtc TYPE 099.06 Conical male thread plug / Nippel mit Aussengewinde konisch

Plug / Nippel	Size / Größe	Order No / Bestellnr.	Ød	Ød1	L	L1	L2	HEX.
	06	099.06 PRF 10-90	BSPT 1/8	9.4	27	9	23	11
		099.06 PRF 13-90	BSPT 1/4	9.4	34	11	23	15
		099.06 PRF 17-90	BSPT 3/8	9.4	34	9	23	11
		099.06 PTF 10-90	NPT 1/8	9.4	27	9	23	11
		099.06 PTF 13-90	NPT 1/4	9.4	34	11	23	15
		099.06 PTF 17-90	NPT 3/8	9.4	34	9	23	11
		099.06 PKF 1010-90	M10x1	9.4	27	11	23	11
		099.06 PKF 1415-90	M14x1.5	9.4	34	11	23	15

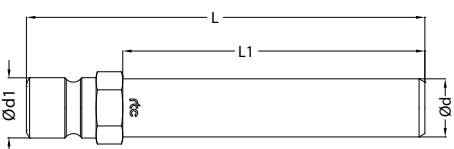
rtc TYPE 099.09 Conical male thread plug / Nippel mit Aussengewinde konisch

Plug / Nippel	Size / Größe	Order No / Bestellnr.	Ød	Ød1	L	L1	L2	HEX.
	09	099.09 PRF 13-90	BSPT 1/4	13.5	34	11	24	15
		099.09 PRF 17-90	BSPT 3/8	13.5	34	11	24	17
		099.09 PTF 13-90	NPT 1/4	13.5	34	11	24	15
		099.09 PKF 1415-90	M14x1.5	13.5	34	11	24	17

rtc TYPE 099.06 Extension plug / Verlängerungsnippel ohne Gewinde

Plug / Nippel	Size / Größe	Order No / Bestellnr.	Ød	Ød1	L	L1	HEX.
	06	099.06 PEF 63	8	9.4	63	46	11
		099.06 PEF 100	8	9.4	100	77	11
		099.06 PEF 120	10	9.4	120	103	11
		099.06 PEF 240	10	9.4	240	223	11
		099.06 PEF 360	10	9.4	360	343	11

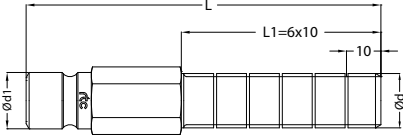
rtc TYPE 099.09 Extension plug / Verlängerungsnippel ohne Gewinde

Plug / Nippel	Size / Größe	Order No / Bestellnr.	Ød	Ød1	L	L1	HEX.
	09	099.09 PEF 150	14	13.5	150	127	14
		099.09 PEF 300	14	13.5	300	277	14
		099.09 PEF 450	14	13.5	450	277	14

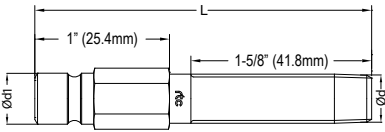
Male long thread plug / Nippel mit langem Aussengewinde TYPE 099.06 

Plug / Nippel	Size / Größe	Order No / Bestellnr.	Ød	Ød1	L	L1	HEX.
	06	099.06 PMFL 10x100	BSP 1/8	9.4	100	6x10	11
		099.06 PMFL 13x100	BSP 1/4	9.4	100	6x10	14
		099.06 PMFL 17x100	BSP 3/8	9.4	100	6x10	17
		099.06 PMFL 1010x100	M10x1	9.4	100	6x10	11
		099.06 PMFL 1415x100	M14x1.5	9.4	100	6x10	14

Male long thread plug / Nippel mit langem Aussengewinde TYPE 099.09 

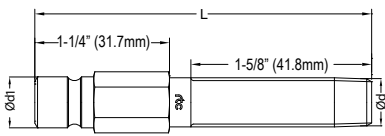
Plug / Nippel	Size / Größe	Order No / Bestellnr.	Ød	Ød1	L	L1	HEX.
	09	099.09 PMFL 13x100	BSP 1/4	13.5	100	6x10	14
		099.09 PMFL 17x100	BSP 3/8	13.5	100	6x10	17
		099.09 PMFL 1415x100	M14x1.5	13.5	100	6x10	14
		099.09 PMFL 1615x100	M16x1.5	13.5	100	6x10	17

NPT Long threaded extension plug / Verlängerungsnippel mit langen NPT Aussengewinde TYPE 099.06 

Plug / Nippel	Size / Größe	Order No / Bestellnr.	Ød	Ød1	L	HEX
	06	099.06 PTFS 10xL	NPT1/8	9.4	*	11
		099.06 PTFS 13xL	NPT 1/4	9.4	*	14

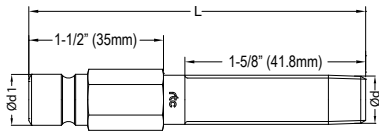
*L: Lenght (mm): 60 / 80 / 100 / 120 / 150 / 200

NPT Long threaded extension plug / Verlängerungsnippel mit langen NPT Aussengewinde TYPE 099.09 

Plug / Nippel	Size / Größe	Order No / Bestellnr.	Ød	Ød1	L	HEX
	09	099.09 PTFS 13xL	NPT1/4	13.5	*	14
		099.09 PTFS 17xL	NPT 3/8	13.5	*	17

*L: Lenght (mm): 60 / 80 / 100 / 120 / 150 / 200

NPT Long threaded extension plug / Verlängerungsnippel mit langen NPT Aussengewinde TYPE 099.15 

Plug / Nippel	Size / Größe	Order No / Bestellnr.	Ød	Ød1	L	HEX
	15	099.15 PTFS 17xL	NPT 3/8	20	*	21
		099.15 PTFS 21xL	NPT 1/2	20	*	24

*L: Lenght (mm): 60 / 80 / 100 / 120 / 150 / 200

rtc TYPE 099.06

Male thread extension plug / Nippelverlängerung mit Aussengewinde



Plug / Nippel

Size / Größe

Order No / Bestellnr.

Ød

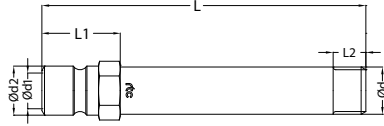
Ød1

L

L1

L2

HEX.



06

099.06 PRF 10xL	BSPT 1/8	9.4	*	21	7	11
099.06 PRF 13xL	BSPT 1/4	9.4	*	22	9	14
099.06 PTF 10xL	NPT 1/8	9.4	*	21	7	11
099.06 PMF 1010xL	M10x1.0	9.4	*	21	9	11

*L: Length (mm): 60 / 80 / 100 / 120 / 150

rtc TYPE 099.09

Male thread extension plug / Nippelverlängerung mit Aussengewinde



Plug / Nippel

Size / Größe

Order No / Bestellnr.

Ød

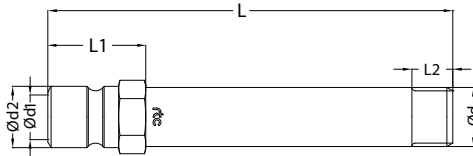
Ød1

L

L1

L2

HEX.



09

099.09 PRF 13xL	BSPT 1/4	13.5	*	22	12	14
099.09 PRF 17xL	BSPT 3/8	13.5	*	22	12	17
099.09 PTF 13xL	BSP 1/4	13.5	*	20	7	14
099.09 PTF 17xL	BSP 3/8	13.5	*	20	9	17
090.09 PMF 1215xL	M12x1.5	13.5	*	20	9	14
090.09 PMF 1415xL	M14x1.5	13.5	*	20	9	15

*L: Length (mm): 60 / 80 / 100 / 120 / 150 / 200

rtc TYPE 099.15

Male thread extension plug / Nippelverlängerung mit Aussengewinde



Plug / Nippel

Size / Größe

Order No / Bestellnr.

Ød

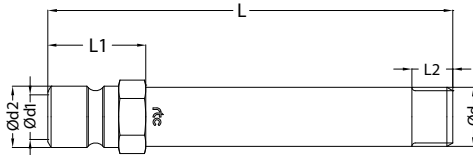
Ød1

L

L1

L2

HEX.



15

099.15 PRF 17xL	BSPT 3/8	20	*	38	12	22
099.15 PRF 21xL	BSPT 1/2	20	*	38	12	22
099.15 PTF 17xL	NPT 3/8	20	*	38	12	22
099.15 PTF 21xL	NPT 1/2	20	*	38	12	22

*L: Length (mm): 60 / 80 / 100 / 120 / 150 / 200

rtc TYPE 099.15

Steel extension tube with male thread / Stahlrohr mit Aussengewinde



Plug / Nippel

Order No / Bestellnr.
BSPT

Order No / Bestellnr.
NPT

Ød

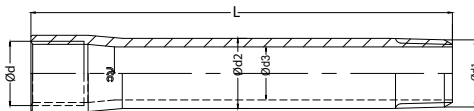
Ød1

Ød2

Ød3

L

INNER
HEX.



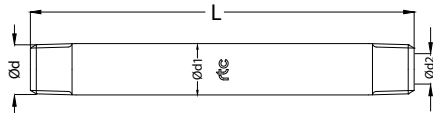
BSPT* = BSP (Female) - BSPT (Male)
NPT* = NPT (Female) - NPT (Male)

RGF 06-50	TNF 06-50	1/8	1/8	10	6	50	5
RGF 06-75	TNF 06-75	1/8	1/8	10	6	75	5
RGF 06-100	TNF 06-100	1/8	1/8	10	6	100	5
RGF 06-125	TNF 06-125	1/8	1/8	10	6	125	5
RGF 09-50	TNF 09-50	1/4	1/4	14	9	50	8
RGF 09-75	TNF 09-75	1/4	1/4	14	9	75	8
RGF 09-100	TNF 09-100	1/4	1/4	14	9	100	8
RGF 09-125	TNF 09-125	1/4	1/4	14	9	125	8
RGF 09-150	TNF 09-150	1/4	1/4	14	9	150	8



Male thread extension plug / Nippelverlängerung mit Aussengewinde

TYPE 099



Plug / Nippel	Order No / Bestellnr.		Ød	Ød1	Ød2	L
	BSPT	NPT				
	RRF 06-50	TTF 06-50	1/8	10	6	50
	RRF 06-100	TTF 06-100	1/8	10	6	100
	RRF 06-150	TTF 06-150	1/8	10	6	150
	RRF 06-200	TTF 06-200	1/8	10	6	200
	RRF 06-250	TTF 06-250	1/8	10	6	250
	RRF 09-50	TTF 09-50	1/4	14	9	50
	RRF 09-100	TTF 09-100	1/4	14	9	100
	RRF 09-150	TTF 09-150	1/4	14	9	150
	RRF 09-200	TTF 09-200	1/4	14	9	200
	RRF 09-250	TTF 09-250	1/4	14	9	250
	RRF 12-50	TTF 12-50	3/8	17	13	50
	RRF 12-100	TTF 12-100	3/8	17	13	100
	RRF 12-150	TTF 12-150	3/8	17	13	150
	RRF 12-200	TTF 12-200	3/8	17	13	200
	RRF 12-250	TTF 12-250	3/8	17	13	250
	RRF 15-100	TTF 15-100	1/2	22	16	100
	RRF 15-150	TTF 15-150	1/2	22	16	150
	RRF 15-200	TTF 15-200	1/2	22	16	200
	RRF 15-250	TTF 15-250	1/2	22	16	250



Replacement seal / Ersatz O-Ring

TYPE 099

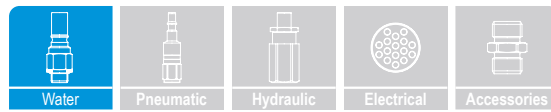


Seals / O-Ringe	Size Größe	Order No / Bestellnr.	Description	Material	Working Temp.
	6	SS 099.06 PN	Plug Seal Set	NBR - Nitrile	-20°C +100°C / -4°F +212°F
	9	SS 099.09 PN	Plug Seal Set	NBR - Nitrile	-20°C +100°C / -4°F +212°F
	15	SS 099.15 PN	Plug Seal Set	NBR - Nitrile	-20°C +100°C / -4°F +212°F
	6	SS 099.06 SN	Socket Seal Set	NBR - Nitrile	-20°C +100°C / -4°F +212°F
	9	SS 099.09 SN	Socket Seal Set	NBR - Nitrile	-20°C +100°C / -4°F +212°F
	15	SS 099.15 SN	Socket Seal Set	NBR - Nitrile	-20°C +100°C / -4°F +212°F
	6	SS 099.06 PV	Plug Seal Set	FPM - Viton	-10°C +180°C / +14°F +356°F
	9	SS 099.09 PV	Plug Seal Set	FPM - Viton	-10°C +180°C / +14°F +356°F
	15	SS 099.15 PV	Plug Seal Set	FPM - Viton	-10°C +180°C / +14°F +356°F
	6	SS 099.06 SV	Socket Seal Set	FPM - Viton	-10°C +180°C / +14°F +356°F
	9	SS 099.09 SV	Socket Seal Set	FPM - Viton	-10°C +180°C / +14°F +356°F
	15	SS 099.15 SV	Socket Seal Set	FPM - Viton	-10°C +180°C / +14°F +356°F



rtc[®]

COUPLING TECHNOLOGY



100
rtc TYPE





French Profile

Temperature Range - Temperaturbereich

-20°C +100°C (-4°F +212°F) Nitrile (N)
-10°C +180°C (+14°F +356°F) FPM (V)

Working Pressure - Betriebsdruck

rtc 100.06 10 bar (145 PSI)
rtc 100.08 10 bar (145 PSI)
rtc 100.12 10 bar (145 PSI)

Flow size - Nennweiten

rtc 100.06 6 mm
rtc 100.08 8 mm
rtc 100.12 13 mm

Standard version - Standardversion

Socket Body- Steckersgrundkörper	Brass Nickel Plated - Messing vernickelt
Sleeve - Hülse	Brass Nickel Plated - Messing vernickelt
Springs - Federn	Stainless Steel - Edelstahl
Locking Ring- Sprenging	Stainless Steel - Edelstahl
Balls - Kugeln	Stainless Steel - Edelstahl
Seals - Dichtungen	Nitrile
Plug - Buchse	Brass Nickel Plated - Messing vernickelt

Options - Optionen

Colour Rings RED / BLUE
Farbringe ROT / BLAU

Using Area

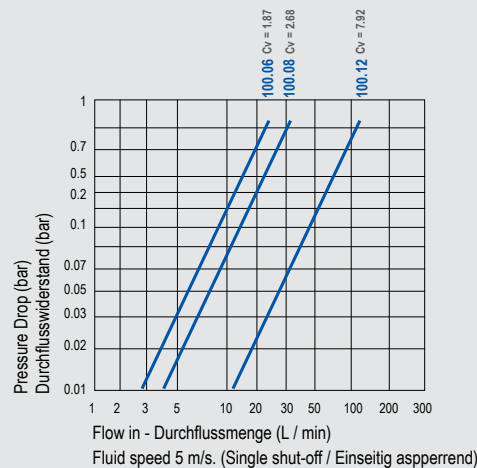
- On temperature regulation applications with hot or cold water, oil etc.
- Injection moulding industries.
- On steam line.

Anwendungsbereiche

- Werkzeugtemperierung
- Kühlung mit Öl oder Wasser
- Kunststoffindustrie
- Dampfanwendungen

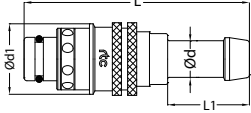


Flow Rate vs Pressure Drop Graph / Durchflussrate vs Druckabfall

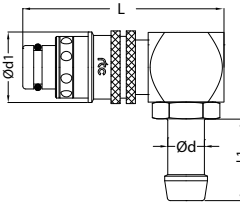


100
rtc TYPE

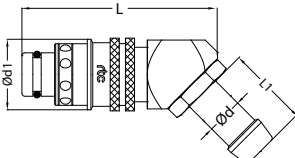
rtc TYPE 100 Standard hose tail plug / Stecker mit Schlauchtülle

Plug / Stecker	Size / Größe	Order No / Bestellnr.	Ød	Ød1	L	L1
	06	100.06 PHF 06	6 mm	17	55	23
		100.06 PHF 08	8 mm	17	55	23
	08	100.08 PHF 06	6 mm	20	57	23
		100.08 PHF 08	8 mm	20	62	23
		100.08 PHF 10	10 mm	20	62	23
		100.08 PHF 12	12 mm	20	66	23
		100.08 PHF 13	13 mm	20	62	23
	12	100.12 PHF 13	13 mm	28	76	33
		100.12 PHF 16	16 mm	28	76	33
		100.12 PHF 19	19 mm	28	76	33

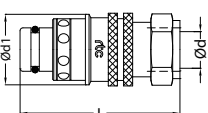
rtc TYPE 100 Standard hose tail plug 90° / Stecker mit 90° Schlauchtülle

Plug / Stecker	Size / Größe	Order No / Bestellnr.	Ød	Ød1	L	L1
	08	100.08 PHF 06-90	6 mm	20	54.5	23
		100.08 PHF 08-90	8 mm	20	54.5	23
		100.08 PHF 10-90	10 mm	20	54.5	23
		100.08 PHF 12-90	12 mm	20	54.5	23
		100.08 PHF 13-90	13 mm	20	54.5	23
	12	100.12 PHF 13-90	13 mm	28	64	33
		100.12 PHF 16-90	16 mm	28	64	33
		100.12 PHF 19-90	19 mm	28	64	33

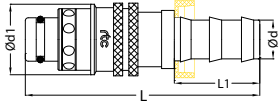
rtc TYPE 100 Standard hose tail plug 45° / Stecker mit Schlauchtülle 45°

Plug / Stecker	Size / Größe	Order No / Bestellnr.	Ød	Ød1	L	L1
	08	100.08 PHF 06-45	6 mm	20	54.5	23
		100.08 PHF 08-45	8 mm	20	54.5	23
		100.08 PHF 10-45	10 mm	20	54.5	23
		100.08 PHF 12-45	12 mm	20	54.5	23
		100.08 PHF 13-45	13 mm	20	54.5	23
	12	100.12 PHF 13-45	13 mm	28	64	33
		100.12 PHF 16-45	16 mm	28	64	33
		100.12 PHF 19-45	19 mm	28	64	33

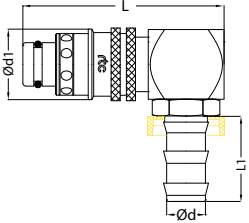
rtc TYPE 100 Female thread plug / Stecker mit Innengewinde

Plug / Stecker	Size / Größe	Order No / Bestellnr.	Ød	Ød1	L	HEX
	08	100.08 PFF 13	BSP 1/4	20	44	17
		100.08 PNF 13	NPT 1/4	20	50	17
		100.08 PFF 17	BSP 3/8	20	52	19
		100.08 PNF 17	NPT 3/8	20	52	19
	12	100.12 PFF 17	BSP 3/8	28	60	22
		100.12 PFF 21	BSP 1/2	28	60	24
		100.12 PNF 21	NPT 1/2	28	62	24

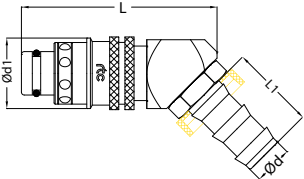
Push to connect hose tail plug / Stecker mit Schnellsteck - Schlauchtülle TYPE 100 **rtc**

Plug / Stecker	Size / Größe	Order No / Bestellnr.	Ød	Ød1	L	L1
	08	100.08 PPF 10	10 mm	20	62	24
		100.08 PPF 13	13 mm	20	69	28
	12	100.12 PPF 13	13 mm	28	73	28
		100.12 PPF 16	16 mm	28	82	38

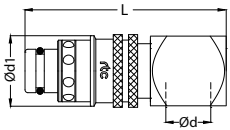
Push to connect hose tail plug 90° / Stecker mit Schnellsteck - Schlauchtülle 90° TYPE 100 **rtc**

Plug / Stecker	Size / Größe	Order No / Bestellnr.	Ød	Ød1	L	L
	08	100.08 PPF 10-90	10 mm	20	54.5	24
		100.08 PPF 13-90	13 mm	20	54.5	28
	12	100.12 PPF 13-90	13 mm	28	64	28
		100.12 PPF 16-90	16 mm	28	64	38

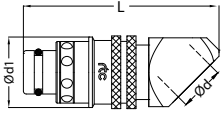
Push to connect hose tail plug 45° / Stecker mit Schnellsteck - Schlauchtülle 45° TYPE 100 **rtc**

Plug / Stecker	Size / Größe	Order No / Bestellnr.	Ød	Ød1	L	L
	08	100.08 PPF 10-45	10 mm	20	54.5	24
		100.08 PPF 13-45	13 mm	20	54.5	28
	12	100.12 PPF 13-45	13 mm	28	64	28
		100.12 PPF 16-45	16 mm	28	64	38

Female thread plug 90° / Stecker mit Innengewinde 90° TYPE 100 **rtc**

Plug / Stecker	Size / Größe	Order No / Bestellnr.	Ød	Ød1	L
	08	100.08 PFF 13-90	BSP 1/4	20	54.5
		100.08 PNF 13-90	NPT 1/4	20	54.5
	12	100.12 PFF 17-90	BSP 3/8	28	64
		100.12 PFF 21-90	BSP 1/2	28	64
		100.12 PNF 21-90	NPT 1/2	28	64

Female thread plug 45° / Stecker mit Innengewinde 45° TYPE 100 **rtc**

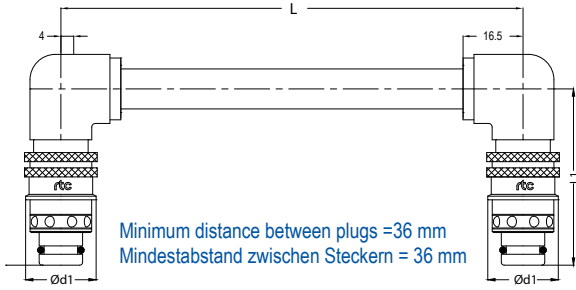
Plug / Stecker	Size / Größe	Order No / Bestellnr.	Ød	Ød1	L
	08	100.08 PFF 13-45	BSP 1/4	20	54.5
		100.08 PNF 13-45	NPT 1/4	20	54.5
	12	100.12 PFF 21-45	BSP 1/2	28	64
		100.12 PNF 21-45	NPT 1/2	28	64

rtc TYPE 100

Cascade connector / UmlenkBuchse

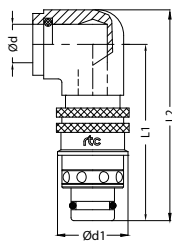


Plug / Stecker

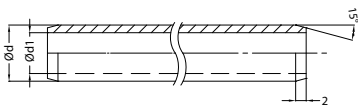


Minimum distance between plugs = 36 mm
Mindestabstand zwischen Steckern = 36 mm

Size Größe	Order No / Bestellnr. Without Valve / Ohne Ventil	Ød	Ød1	L	L1
08	100.08 PCF 125	11x1.5	20	125	54
	100.08 PCF 250	11x1.5	20	250	54
	100.08 PCF 500	11x1.5	20	500	54



Size Größe	Order No / Bestellnr. Without Valve / Ohne Ventil	Ød	Ød1	L1	L2
08	100.08 PCF 00	11x1.5	20	54	64



Pipe preparation / Verbindungsrohr

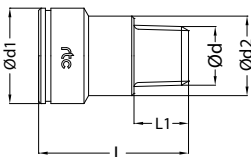
Brass Tube Messing Rohr	Ød	Ød1	Length Länge
TBM 1115x1000	11	8	1000mm

rtc TYPE 100

Male thread socket / Buchse mit Aussengewinde

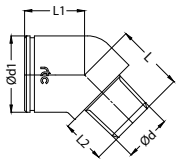


Socket / Buchse



Size / Größe	Order No / Bestellnr.	Ød	Ød1	Ød2	L	L1	INNER HEX.
06	100.06 SRF 10	BSPT 1/8	17	14	28.5	10	6
	100.06 SRF 13	BSPT 1/4	17	14	28.5	11	6
	100.06 STF 10	NPT 1/8	17	14	28.5	10	1/4"
	100.06 STF 13	NPT 1/4	17	14	28.5	11	1/4"
	100.06 SMF 1010	M10x1.0	17	14	28.5	10	6
08	100.08 SRF 10	BSPT 1/8	21	17.5	31	10	6
	100.08 SRF 13	BSPT 1/4	21	17.5	33	12	8
	100.08 SRF 17	BSPT 3/8	21	-	24	13	8
	100.08 SRF 21	BSPT 1/2	21	-	28	16	8
	100.08 STF 10	NPT 1/8	21	17.5	32	22	1/4"
	100.08 STF 13	NPT 1/4	21	17.5	33	21	5/16"
	100.08 STF 17	NPT 3/8	21	-	24	13	5/16"
	100.08 SMF 1010	M10x1.0	21	17.5	31	10	6
	100.08 SMF 1015	M10x1.5	21	17.5	31	10	6
100.08 SMF 1415	M14x1.5	21	17.5	31	10	8	
12	100.12 SRF 17	BSPT 3/8	32	25	41	13	10
	100.12 SRF 21	BSPT 1/2	32	25	44	16	14
	100.12 SRF 26	BSPT 3/4	32	-	32	19	14
	100.12 STF 17	NPT 3/8	32	25	41	10	3/8"
	100.12 STF 21	NPT 1/2	32	25	44	16	9/16"
	100.12 STF 26	NPT 3/4	32	-	32	19	9/16"

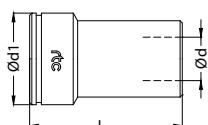
Male thread socket 45° / Buchse mit Aussengewinde 45° TYPE 100 

Socket / Buchse	Size / Größe	Order No / Bestellnr.	Ød	Ød1	L	L1	L2	HEX.
	08	100.08 SRF 10-45	BSPT 1/8	21	16.5	18.5	10	19
		100.08 SRF 13-45	BSPT 1/4	21	16.5	18.5	12	19
		100.08 SRF 17-45	BSPT 3/8	21	16.5	18.5	12	19

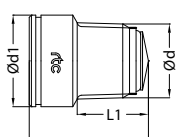
Male thread socket 90° / Buchse mit Aussengewinde 90° TYPE 100 

Socket / Buchse	Size / Größe	Order No / Bestellnr.	Ød	Ød1	L	L1	L2	HEX.
	08	100.08 SRF 10-90	BSPT 1/8	21	23	22	10	19
		100.08 SRF 13-90	BSPT 1/4	21	25	22	12	19
		100.08 SRF 17-90	BSPT 3/8	21	25	22	13	19
		100.08 STF 10-90	NPT 1/8	21	23	22	10	19
		100.08 STF 13-90	NPT 1/4	21	25	22	12	19
		100.08 STF 17-90	NPT 3/8	21	25	22	13	19



Female thread sockets / Buchse mit Innengewinde TYPE 100 

Socket / Buchse	Size / Größe	Order No / Bestellnr.	Ød	Ød1	L	INNER HEX.
	06	100.06 SFF 10	BSP 1/8	17	32	6
		100.06 SNF 10	NPT 1/8	17	33	1/4"
	08	100.08 SFF 10	BSP 1/8	21	35	6
		100.08 SFF 13	BSP 1/4	21	39	8
		100.08 SNF 10	NPT 1/8	21	35	1/4"
		100.08 SNF 13	NPT 1/4	21	39	5/16"
	12	100.12 SFF 17	BSP 3/8	32	49	12
		100.12 SFF 21	BSP 1/2	32	50	12
		100.12 SNF 21	NPT 1/2	32	50	1/2"

Male threaded socket with valve / Buchse mit Aussengewinde und Ventil TYPE 100 

Socket / Buchse	Size / Größe	Order No / Bestellnr.	Ød	Ød1	L	L1
	08	100.08 SRB 13	BSPT 1/4	21	36	12
		100.08 SRB 17	BSPT 3/8	21	26	13
		100.08 STB 17	NPT 3/8	21	26	13

Colour Ring / Farbringe TYPE 100 

Colour Ring / Farbringe	Size / Größe	Order No / Bestellnr. Red / Rot	Order No / Bestellnr. Blue / Blau	Description
	06	100.06 SC-R	100.06 SC-B	Socket Colour Ring
	08	100.08 SC-R	100.08 SC-B	Socket Colour Ring
	12	100.12 SC-R	100.12 SC-B	Socket Colour Ring
	06	100.06 PC-R	100.06 PC-B	Plug Colour Ring
	08	100.08 PC-R	100.08 PC-B	Plug Colour Ring
	12	100.12 PC-R	100.12 PC-B	Plug Colour Ring

rtc TYPE 100

Socket extension without thread / Stecker Verlängerung ohne Gewinde



Socket / Buchse	Size / Größe	Order No / Bestellnr.	Connection Anschluss (Ød)	Ød1	Ød2	Ød3	L Min-Max.	L1	INNER HEX.	
	06	100.06 SEF 10-100	1/8	17	18.5	11	33-100	20	6	
		08	100.08 SEF 10-100	1/8	21	22.5	11	33-100	23	6
			100.08 SEF 10-150	1/8	21	22.5	11	100-150	23	6
	100.08 SEF 10-200		1/8	21	22.5	11	150-200	23	6	
	100.08 SEF 10-250		1/8	21	22.5	11	200-250	23	6	
	100.08 SEF 13-100		1/4	21	22.5	14	34-100	23	8	
	100.08 SEF 13-150		1/4	21	22.5	14	100-150	23	8	
	100.08 SEF 13-200		1/4	21	22.5	14	150-200	23	8	
	100.08 SEF 13-250	1/4	21	22.5	14	200-250	23	8		
	12	100.12 SEF 17-150	3/8	32	33.5	18	59-150	43	14	
		100.12 SEF 17-200	3/8	32	33.5	18	150-200	43	14	
		100.12 SEF 17-250	3/8	32	33.5	18	200-250	43	14	
		100.12 SEF 21-150	1/2	32	33.5	22	59-150	45	14	
		100.12 SEF 21-200	1/2	32	33.5	22	150-200	45	14	
100.12 SEF 21-250	1/2	32	33.5	22	200-250	45	14			

rtc TYPE 100

Socket extension with male thread / Stecker Verlängerung mit Aussengewinde



Socket / Buchse	Size / Größe	Order No / Bestellnr.	Ød Thread Size	Ød1	Ød2	Ød3	L Min-Max.	L1	L2	INNER HEX.
	08	100.08 SMF 10-50	BSP 1/8	21	22.5	11	35-50	26	21	6
		100.08 SMF 10-100	BSP 1/8	21	22.5	11	50-100	60	21	6
		100.08 SMF 10-150	BSP 1/8	21	22.5	11	100-150	60	21	6
	08	100.08 SMF 13-50	BSP 1/4	21	22.5	14	39-50	27	21	8
		100.08 SMF 13-100	BSP 1/4	21	22.5	14	55-100	60	21	8
		100.08 SMF 13-150	BSP 1/4	21	22.5	14	105-150	60	21	8
		100.08 SMF 13-200	BSP 1/4	21	22.5	14	155-200	60	21	8

rtc TYPE 100

Socket extension with male thread / Stecker Verlängerung mit Aussengewinde

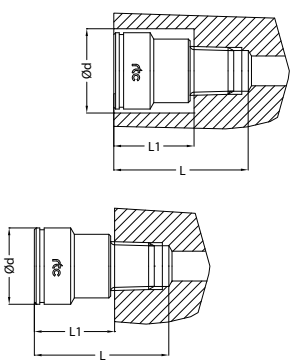


Socket / Buchse	Size / Größe	Order No / Bestellnr.	Ød Thread Size	Ød1	Ød2	Ød3	L Min-Max.	L1	L2	INNER HEX.
	08	100.08 SRF 10-100	BSP 1/8	21	22.5	11	50-100	9	21	6
		100.08 SRF 10-150	BSP 1/8	21	22.5	11	100-150	9	21	6
		100.08 SRF 10-200	BSP 1/8	21	22.5	11	150-200	9	21	6
		100.08 SRF 10-250	BSP 1/8	21	22.5	11	200-250	9	21	6
	08	100.08 SRF 13-100	BSP 1/4	21	22.5	14	50-100	12	21	8
		100.08 SRF 13-150	BSP 1/4	21	22.5	14	100-150	12	21	8
		100.08 SRF 13-200	BSP 1/4	21	22.5	14	150-200	12	21	8
		100.08 SRF 13-250	BSP 1/4	21	22.5	14	200-250	12	21	8

rtc TYPE 100

Assembling dimensions of the flush socket in the mold / Einbaumaß für den versenkten Einbau




Socket / Buchse	Size / Größe	Connection Anschluss	Ød min	L	L1	Torque (Nm)	INNER HEX.
	06	BSP 1/8	18.5	31	20	15	6
		BSP 1/4	18.5	31	19	30	6
		NPT 1/8	18.5	31	20	15	1/4"
		NPT 1/4	18.5	31	19	30	1/4"
	08	BSP 1/8	22.5	33	22	15	6
		BSP 1/4	22.5	35	21	30	8
		BSP 3/8	22.5	25	12	30	8
		NPT 1/8	22.5	33	22	15	1/4"
		NPT 1/4	22.5	35	21	30	5/16"
		NPT 3/8	22.5	25	12	30	5/16"
	12	BSP 3/8	33.5	43	29	50	10
		BSP 1/2	33.5	46	29	50	14
BSP 3/4		33.5	34	15	50	14	
NPT 3/8		33.5	43	29	50	3/8"	
NPT 1/2		33.5	46	29	50	9/16"	
NPT 3/4		33.5	34	15	50	9/16"	

Replacement O-Ring / Ersatz O-Ring

TYPE 100

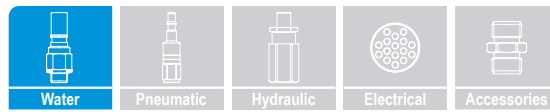


Seals / O-Ringe	Size / Größe	Order No / Bestellnr.	Description	Material	Working Temp.
	06	SS 100.06 PN	Plug Seal Set	NBR - Nitrile	-20°C +100°C / -4°F +212°F
	08	SS 100.08 PN	Plug Seal Set	NBR - Nitrile	-20°C +100°C / -4°F +212°F
	12	SS 100.12 PN	Plug Seal Set	NBR - Nitrile	-20°C +100°C / -4°F +212°F
	06	SS 100.06 SN	Socket Seal Set	NBR - Nitrile	-20°C +100°C / -4°F +212°F
	08	SS 100.08 SN	Socket Seal Set	NBR - Nitrile	-20°C +100°C / -4°F +212°F
	12	SS 100.12 SN	Socket Seal Set	NBR - Nitrile	-20°C +100°C / -4°F +212°F
	06	SS 100.06 PV	Plug Seal Set	FPM - Viton	-10°C +180°C / +14°F +356°F
	08	SS 100.08 PV	Plug Seal Set	FPM - Viton	-10°C +180°C / +14°F +356°F
	12	SS 100.12 PV	Plug Seal Set	FPM - Viton	-10°C +180°C / +14°F +356°F
	06	SS 100.06 SV	Socket Seal Set	FPM - Viton	-10°C +180°C / +14°F +356°F
	08	SS 100.08 SV	Socket Seal Set	FPM - Viton	-10°C +180°C / +14°F +356°F
	12	SS 100.12 SV	Socket Seal Set	FPM - Viton	-10°C +180°C / +14°F +356°F



rtc[®]

COUPLING TECHNOLOGY



101

rtc TYPE





Temperature Range - Temperaturbereich

Nitrile (N) -20°C + 100°C (- 4°F + 212°F)
FPM (V) -20°C + 180°C (- 4°F + 356°F)

Max. Working Pressure - Max. Betriebsdruck

rtc 101.06 16 bar (232 PSI)
rtc 101.09 16 bar (232 PSI)
rtc 101.10 16 bar (232 PSI)
rtc 101.12 16 bar (232 PSI)
rtc 101.16 16 bar (232 PSI)
rtc 101.20 16 bar (232 PSI)
rtc 101.25 16 bar (232 PSI)
rtc 101.38 16 bar (232 PSI)

Flow size - Nennweiten

rtc 101.06 6 mm
rtc 101.09 9 mm
rtc 101.10 10 mm
rtc 101.12 12 mm
rtc 101.16 16 mm
rtc 101.20 20 mm
rtc 101.25 25 mm
rtc 101.38 38 mm

Material

Socket Body- Kupplungsgrundkörper Brass - Messing

Sleeve - Hülse AISI 420 Chromium plated

Valve - Ventil Brass - Messing

Springs - Federn Stainless Steel - Edelstahl

Seals - Dichtungen FPM (V)

Plug - Nippel 101.06 / 101.09 / 101.10 / 101.12 Brass - Messing
101.16 / 101.20 / 101.25 / 101.38 Stainless Steel - Edelstahl

Standard version - Standardversion

Brass - Messing
FPM (V)

Options - Optionen

Stainless Steel - Edelstahl
EPDM Seal - EPDM Dichtung
FFKM Seal - FFKM Dichtung
Colour coding - Farbkodierung

Using Area

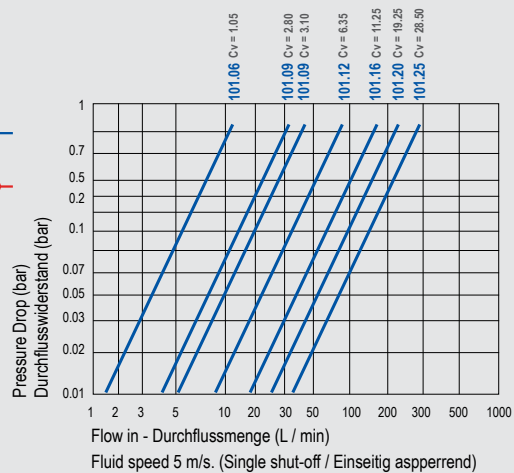
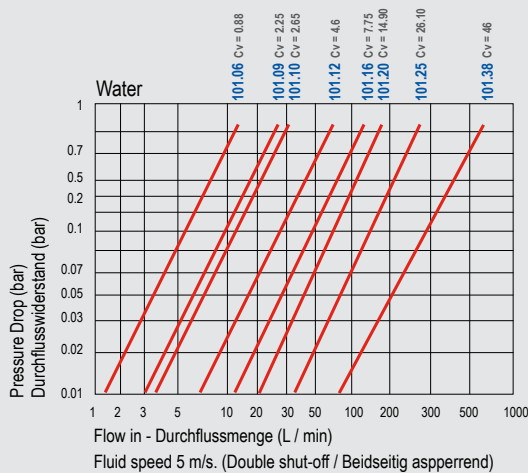
- On temperature regulation applications with hot or cold water, oil etc
- Injection moulding industries
- On steam line

Anwendungsbereiche

- Werkzeugtemperierung
- Kühlung mit Öl oder Wasser
- Kunststoffindustrie
- Dampfanwendungen



Flow Rate vs Pressure Drop Graph / Durchflussrate vs Druckabfall



101
rtc TYPE

rtc TYPE 101

Standard hose tail socket / Kupplung mit Standard Schlauchtülle



Socket / Kupplung

Size / Größe

Order No / Bestellnr.

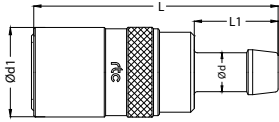
Order No / Bestellnr.

Ød

Ød1

L

L1



06

101.06 SHB 06
101.06 SHB 08

101.06 SHF 06
101.06 SHF 08

6 mm
8 mm

19
19

60
60

23
23

09

101.09 SHB 10
101.09 SHB 12

101.09 SHF 10
101.09 SHF 12

10 mm
12 mm

24.5
24.5

69
69

27.5
27.5

10

101.10 SHB 10
101.10 SHB 12

101.10 SHF 10
101.10 SHF 12

10 mm
12 mm

24.5
24.5

69
69

27.5
27.5

12

101.12 SHB 12
101.12 SHB 16

101.12 SHF 12
101.12 SHF 16

12 mm
16 mm

30
30

81.5
87

27.5
33

16

101.16 SHB 16
101.16 SHB 19

101.16 SHF 16
101.16 SHF 19

16 mm
19 mm

37.5
37.5

108
108

33
33

rtc TYPE 101

Standard hose tail socket 90° / Kupplung mit Standard Schlauchtülle 90°



Socket / Kupplung

Size / Größe

Order No / Bestellnr.

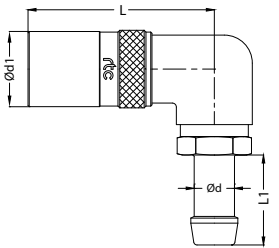
Order No / Bestellnr.

Ød

Ød1

L

L1



06

101.06 SHB 08-90

101.06 SHF 08-90

8 mm

19

60

23

09

101.09 SHB 10-90
101.09 SHB 12-90

101.09 SHF 10-90
101.09 SHF 12-90

10 mm
12 mm

24.5
24.5

69
69

27.5
27.5

10

101.10 SHB 10-90
101.10 SHB 12-90

101.10 SHF 10-90
101.10 SHF 12-90

10 mm
12 mm

24.5
24.5

69
69

27.5
27.5

12

101.12 SHB 12-90
101.12 SHB 16-90

101.12 SHF 12-90
101.12 SHF 16-90

12 mm
16 mm

30
30

84
84

27.5
33

16

101.16 SHB 19-90

101.16 SHF 19-90

19 mm

37.5

114

33

rtc TYPE 101

Push to connect hose tail socket / Kupplung mit schnellsteck Schlauchtülle



Socket / Kupplung

Size / Größe

Order No / Bestellnr.

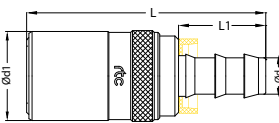
Order No / Bestellnr.

Ød

Ød1

L

L1



06

101.06 SPB 10

101.06 SPF 10

10 mm

19

61

24

09

101.09 SPB 10
101.09 SPB 13

101.09 SPF 10
101.09 SPF 13

10 mm
13 mm

24.5
24.5

66
81.5

24
28

10

101.10 SPB 10
101.10 SPB 13

101.10 SPF 10
101.10 SPF 13

10 mm
13 mm

24.5
24.5

66
81.5

24
28

12

101.12 SPB 13
101.12 SPB 16

101.12 SPF 13
101.12 SPF 16

13 mm
16 mm

30
30

81.5
91.5

28
38

16

101.16 SPB 19

101.16 SPF 19

19 mm

37.5

113

38

rtc TYPE 101

Push to connect hose tail socket 90° / Kupplung mit schnellsteck Schlauchtülle 90°



Socket / Kupplung

Size / Größe

Order No / Bestellnr.

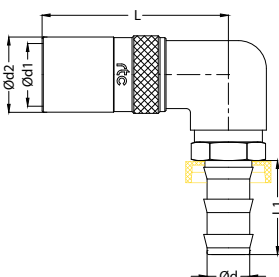
Order No / Bestellnr.

Ød

Ød1

L

L1



06

101.06 SPB 10-90

101.06 SPF 10-90

10 mm

19

60

24

09

101.09 SPB 10-90
101.09 SPB 13-90

101.09 SPF 10-90
101.09 SPF 13-90

10 mm
13 mm

24.5
24.5

69
69

24
28

10

101.10 SPB 10-90
101.10 SPB 13-90

101.10 SPF 10-90
101.10 SPF 13-90

10 mm
13 mm

24.5
24.5

69
69

24
28

12

101.12 SPB 13-90
101.12 SPB 16-90

101.12 SPF 13-90
101.12 SPF 16-90

13 mm
16 mm

30
30

84
94

28
38

16

101.16 SPB 19-90

101.16 SPF 19-90

19 mm

37.5

114

38



Female thread socket / Kupplung mit Innengewinde

TYPE 101



Socket / Kupplung	Size / Größe	Order No / Bestellnr. 	Order No / Bestellnr. 	Ød	Ød1	L	L1
	06	101.06 SFB 13	101.06 SFF 13	BSP 1/4	19	46	17
		101.06 SNB 13	101.06 SNF 13	NPT 1/4	19	46	17
	09	101.09 SFB 17	101.09 SFF 17	BSP 3/8	24.5	53	22
		101.09 SNB 17	101.09 SNF 17	NPT 3/8	24.5	53	22
	10	101.10 SFB 17	101.10 SFF 17	BSP 3/8	24.5	53	22
		101.10 SNB 17	101.10 SNF 17	NPT 3/8	24.5	53	22
	12	101.12 SFB 21	101.12 SFF 21	BSP 1/2	30	81.5	27.5
		101.12 SNB 21	101.12 SNF 21	NPT 1/2	30	87	33
	16	101.16 SFB 26	101.16 SFF 26	BSP 3/4	37.5	90	35
		-	101.16 SFF 26x55	BSP 3/4	37.5	55	35
101.16 SNB 26		101.16 SNF 26	NPT 3/4	37.5	90	35	



Female thread socket 90° / Kupplung mit Innengewinde 90°

TYPE 101



Socket / Kupplung	Size / Größe	Order No / Bestellnr. 	Order No / Bestellnr. 	Ød	Ød1	L	HEX.
	06	101.06 SFB 13-90	101.06 SFF 13-90	BSP 1/4	19	46	17
		101.06 SNB 13-90	101.06 SNF 13-90	NPT 1/4	19	46	17
	09	101.09 SFB 17-90	101.09 SFF 17-90	BSP 3/8	24.5	53	22
		101.09 SNB 17-90	101.09 SNF 17-90	NPT 3/8	24.5	53	22
	10	101.10 SFB 17-90	101.10 SFF 17-90	BSP 3/8	24.5	53	22
		101.10 SNB 17-90	101.10 SNF 17-90	NPT 3/8	24.5	53	22
	12	101.12 SFB 21-90	101.12 SFF 21-90	BSP 1/2	30	81.5	27.5
		101.12 SNB 21-90	101.12 SNF 21-90	NPT 1/2	30	87	33
	16	101.16 SFB 26-90	101.16 SFF 26-90	BSP 3/4	37.5	90	35
		-	101.16 SFF 26x55-90	BSP 3/4	37.5	55	35
101.16 SNB 26-90		101.16 SNF 26-90	NPT 3/4	37.5	90	35	



Cylindrical male thread socket / Kupplung mit zylindrischem Aussengewinde

TYPE 101



Socket / Kupplung	Size / Größe	Order No / Bestellnr. 	Order No / Bestellnr. 	Ød	Ød1	L	L1	HEX.
	6	101.06 SOB 13	101.06 SOF 13	BSP 1/4	19	46	10	17
	9	101.09 SOB 17	101.09 SOF 17	BSP 3/8	24.5	53	11	22
	10	101.10 SOB 17	101.10 SOF 17	BSP 3/8	24.5	53	11	22
	12	101.12 SOB 21	101.12 SOF 21	BSP 1/2	30	67	14	27
	16	101.16 SOB 26	101.16 SOF 26	BSP 3/4	37.5	90.5	14	35



Male thread socket 90° / Kupplung mit Aussengewinde 90°

TYPE 101



Socket / Kupplung	Size / Größe	Order No / Bestellnr. 	Order No / Bestellnr. 	Ød	Ød1	L	L1	L2
	6	101.06 SOB 13-90	101.06 SOF 13-90	BSP 1/4	19	46	34	9
	9	101.09 SOB 17-90	101.09 SOF 17-90	BSP 3/8	24.5	53	40	10
	10	101.10 SOB 17-90	101.10 SOF 17-90	BSP 3/8	24.5	53	40	10
	12	101.12 SOB 21-90	101.12 SOF 21-90	BSP 1/2	30	67	47	12
	16	101.16 SOB 26-90	101.16 SOF 26-90	BSP 3/4	37.5	114	53	19

rtc TYPE 101

Cylindrical male thread plug / Nippel mit zylindrischem Aussengewinde



Plugs / Nippel	Size / Größe	Order No / Bestellnr. →←	Ød	L	L1	HEX.
	06	101.06 PMF 13	BSP 1/4	33	9	14
		101.06 PMF 17	BSP 3/8	34	10	19
	09	101.09 PMF 13	BSP 1/4	35	10	15
		101.09 PMF 17	BSP 3/8	37	12	19
		101.09 PMF 21	BSP 1/2	37	12	22
	10	101.10 PMF 17	BSP 3/8	37	12	19
		101.10 PMF 21	BSP 1/2	37	12	22
	12	101.12 PMF 21	BSP 1/2	42	12	24
		101.12 PMF 26	BSP 3/4	46	16	27
	16	101.16 PMF 26	BSP 3/4	62	16	27
		101.16 PMF 33	BSP 1	60	22	32
		101.16 PMF 2415	M24x1.5	56	18	30

rtc TYPE 101

Conical male thread plug / Nippel mit konischem Aussengewinde



Plugs / Nippel	Size / Größe	Order No / Bestellnr. →←	Ød	L	L1	Inner HEX.	Outer HEX.
	06	101.06 PRF 10	BSPT 1/8	30	9	5	-
		101.06 PRF 13	BSPT 1/4	31	13	5	-
	09	101.09 PRF 13	BSPT 1/4	34	10	8	-
		101.09 PRF 17	BSPT 3/8	36	13	8	-
		101.09 PRF 21	BSPT 1/2	42	17	-	22
		101.09 PTF 13	NPT 1/4	37	13	8	-
	09	101.09 PTF 17	NPT 3/8	38	13	8	-
		101.10 PRF 17	BSPT 3/8	36	13	8	-
	12	101.12 PRF 17	BSPT 3/8	39	13	10	-
		101.12 PRF 21	BSPT 1/2	45	16	-	22
		101.12 PTF 17	NPT 3/8	39	14	10	-
		101.12 PTF 21	NPT 1/2	45	16	-	22
	16	101.16 PRF 26	BSPT 3/4	63	17	-	27
		101.16 PTF 26	NPT 3/4	62	19	-	27

rtc TYPE 101

Push to connect hose tail plug / Nippel mit gerader Schnellsteck - Schlauchfülle



Plugs / Nippel	Size / Größe	Order No / Bestellnr. →←	Ød	L	L1
	6	101.06 PPF 10	10 mm	45	24
	9	101.09 PPF 10	10 mm	46	24
	9	101.09 PPF 13	13 mm	50	28
	10	101.10 PPF 10	10 mm	46	24
	10	101.10 PPF 13	13 mm	50	28
	12	101.12 PPF 13	13 mm	57	28
	12	101.12 PPF 16	16 mm	67	38
	16	101.16 PPF 16	16 mm	73	38
	16	101.16 PPF 19	19 mm	73	38

rtc TYPE 101

Standard hose tail plug / Nippel mit gerader Standard - Schlauchfülle



Plugs / Nippel	Size / Größe	Order No / Bestellnr. →←	Ød	L	L1
	6	101.06 PHF 08	8 mm	44	23
	6	101.06 PHF 10	10 mm	44	23
	9	101.09 PHF 12	12 mm	50	28
	10	101.10 PHF 12	12 mm	50	28
	12	101.12 PHF 12	12 mm	55	28
	12	101.12 PHF 16	16 mm	55	28
	16	101.16 PHF 19	19 mm	62	28



Male thread plug with valve for manifold plates / Verschlussnippel mit Innengewinde für die multi-coupling platten

TYPE 101 **rtc**

Plugs / Nippel	Size / Größe	Order No / Bestellnr. 	Ød	L	L1	HEX.
	06	101.06 PMB 17	BSP 3/8	35.5	10	19
	09	101.09 PMB 21	BSP 1/2	37	12	22
	10	101.10 PMB 21	BSP 1/2	37	12	22
	12	101.12 PMB 26	BSP 3/4	46	16	27
	16	101.16 PMB 33	BSP 1	60	22	32



Male thread plug with valve / Verschlussnippel mit Aussengewinde

TYPE 101 **rtc**

Plugs / Nippel	Size / Größe	Order No / Bestellnr. 	Ød	L	L1	HEX.
	06	101.06 PRB 13	BSPT 1/4	45	12	17
		101.06 PTB 13	NPT 1/4	46	13	17
	09	101.09 PRB 13	BSPT 1/4	50	12	19
		101.09 PRB 17	BSPT 3/8	48	12	19
		101.09 PRB 21	BSPT 1/2	51	17	22
		101.09 PTB 13	NPT 1/4	52	13	19
		101.09 PTB 17	NPT 3/8	48	12	19
		101.09 PMB 17	BSP 3/8	48	10	20
	10	101.09 PMB 21	BSP 1/2	48	12	24
		101.10 PRB 17	BSPT 3/8	48	12	19
		101.09 PTB 17	NPT 3/8	48	10	19
	12	101.09 PMB 17	BSP 3/8	48	12	20
		101.12 PRB 17	BSPT 3/8	59	12	24
		101.12 PRB 21	BSPT 1/2	63	16	24
		101.12 PTB 17	NPT 3/8	59	13	22
		101.12 PTB 21	NPT 1/2	62	16	24
		101.12 PMB 17	BSP 3/8	60	11	24
	16	101.12 PMB 21	BSP 1/2	60	12	24
		101.16 PRB 26	BSPT 3/4	81	19	32
		101.16 PTB 26	NPT 3/4	81	19	32
101.16 PMB 26		BSP 3/4	81	14	32	
		101.16 PMB 42	BSP 1-1/4	81	19	45



Cylindrical male thread shut-off plug with sealing O-Ring / Verschlussnippel mit zylindrischem Aussengewinde und O-Ring

TYPE 101 **rtc**

Plugs / Nippel	Size / Größe	Order No / Bestellnr. 	Ød	L	L1	HEX.
	06	101.06 POB 10	BSP 1/8	43	7	17
		101.06 POB 13	BSP 1/4	45	9	17
	09	101.09 POB 13	BSP 1/4	48	9	19
		101.09 POB 17	BSP 3/8	47	9	20
		101.09 POB 21	BSP 1/2	48	12	24
	10	101.10 POB 13	BSP 1/4	48	9	19
		101.10 POB 17	BSP 3/8	47	9	20
	12	101.12 POB 17	BSP 3/8	60	11	24
		101.12 POB 21	BSP 1/2	60	12	24
		101.12 POB 26	BSP 3/4	59	14	32
	16	101.16 POB 26	BSP 3/4	81	14	32

rtc TYPE 101

Female thread plug / Nippel mit Innengewinde



Plugs / Nippel	Size / Größe	Order No / Bestellnr. →←	Ød	L	HEX.
	06	101.06 PFF 13	BSP 1/4	34	17
		101.06 PNF 13	NPT 1/4	36	17
	09	101.09 PFF 13	BSP 1/4	37	21
		101.09 PFF 17	BSP 3/8	37	21
		101.09 PNF 13	NPT 1/4	37	21
		101.09 PNF 17	NPT 3/8	37	21
	10	101.10 PFF 17	BSP 3/8	37	21
		101.10 PNF 17	NPT 3/8	37	21
	12	101.12 PFF 17	BSP 3/8	39	21
		101.12 PFF 21	BSP 1/2	45	27
		101.12 PNF 21	NPT 1/2	47	27
	16	101.16 PFF 26	BSP 3/4	61	32
101.16 PNF 26		NPT 3/4	61	32	

rtc TYPE 101

Female thread plug with valve / Verschlussnippel mit Innengewinde



Plugs / Nippel	Size / Größe	Order No / Bestellnr. →←	Ød	L	HEX.
	06	101.06 PFB 13	BSP 1/4	47	17
		101.06 PNB 13	NPT 1/4	47	17
	09	101.09 PFB 13	BSP 1/4	49	19
		101.09 PFB 17	BSP 3/8	49	21
		101.09 PNB 13	NPT 1/4	49	19
		101.09 PNB 17	NPT 3/8	49	21
	10	101.10 PFB 17	BSP 3/8	49	21
		101.10 PNB 17	NPT 3/8	49	21
	12	101.12 PFB 21	BSP 1/2	63	27
		101.12 PNB 21	NPT 1/2	65	27
	16	101.16 PFB 26	BSP 3/4	81	32
		101.16 PNB 26	NPT 3/4	81	32

rtc TYPE 101

Cylindrical female thread socket / Kupplung mit Innengewinde zylindrisch



Socket / Kupplungen	Size / Größe	Order No / Bestellnr. With valve / mit Ventil	Ød	Ød1	L	HEX.
	20	101.20 SFB 26	BSP 3/4	54	119	41
		101.20 SFB 33	BSP 1	54	120	41
		101.20 SNB 33	NPT 1	54	120	41
	25	101.25 SFB 33	BSP 1	60	142	50
		101.25 SFB 42	BSP 1-1/4	60	142	50
		101.25 SNB 33	NPT 1	60	142	50
		101.25 SNB 42	NPT 1-1/4	60	142	50
	38	101.38 SFB 48	BSP 1-1/2	81	151	60
		101.38 SFB 60	BSP 2	81	155	70

rtc TYPE 101

Cylindrical male thread socket with o-ring / Kupplung mit Aussengewinde zylindrisch mit o-ring

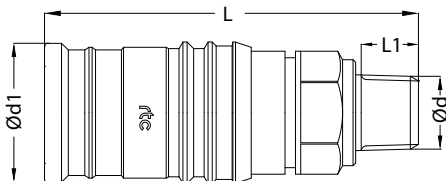


Socket / Kupplungen	Size / Größe	Order No / Bestellnr. With valve / mit Ventil	Ød	Ød1	L	L1	HEX.
	20	101.20 SOB 26	BSP 3/4	54	130	16	41
		101.20 SOB 33	BSP 1	54	131	17	41
	25	101.25 SOB 33	BSP 1	60	142	19	50
		101.25 SOB 42	BSP 1-1/4	60	142	19	50
	38	101.38 SOB 48	BSP 1-1/2	75	164	22	70
		101.38 SOB 60	BSP 2	75	164	22	70



Conical male thread socket / Kupplung mit Aussengewinde konisch

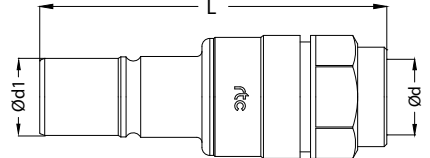
TYPE 101 

Socket / Kuplungen	Size / Größe	Order No / Bestellnr. With valve / mit Ventil	Ød	Ød1	L	L1	HEX.
	20	101.20 STB 33	NPT 1	54	136	22	42
	25	101.25 STB 42	NPT 1-1/4	60	144	22	50
	38	101.38 STB 48	NPT 1-1/2	75	164	24	70
	38	101.38 STB 60	NPT 2	75	166	26	70



Cylindrical female thread plug with valve / Verschlussnippel mit Innengewinde zylindrisch

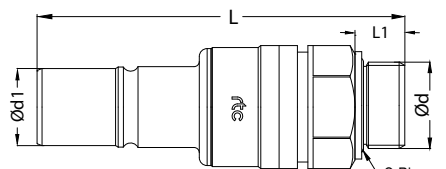
TYPE 101 

Plugs / Nippel	Size / Größe	Order No / Bestellnr. With valve / mit Ventil	Ød	Ød1	L	HEX.
	20	101.20 PFB 26	BSP 3/4	29.5	126	41
		101.20 PFB 33	BSP 1	29.5	127	41
		101.20 PNB 26	NPT 3/4	29.5	126	41
		101.20 PNB 33	NPT 1	29.5	127	41
	25	101.25 PFB 33	BSP 1	34.5	149	50
		101.25 PFB 42	BSP 1-1/4	34.5	149	50
		101.25 PNB 33	NPT 1	34.5	149	50
		101.25 PNB 42	NPT 1-1/4	34.5	149	50
	38	101.38 PFB 48	BSP 1-1/2	46.5	158	60
		101.38 PFB 60	BSP 2	46.5	160	70



Cylindrical male thread plug with valve / Verschlussnippel mit Aussengewinde zylindrisch

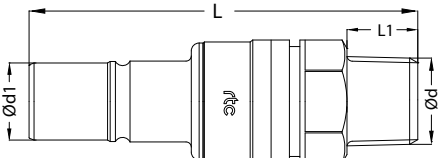
TYPE 101 

Plugs / Nippel	Size / Größe	Order No / Bestellnr. With valve / mit Ventil	Ød	Ød1	L	L1	HEX.
	20	101.20 POB 26	BSP 3/4	29.5	138	16	41
		101.20 POB 33	BSP 1	29.5	139	17	41
	25	101.25 POB 33	BSP 1	34.5	150	19	50
		101.25 POB 42	BSP 1-1/4	34.5	150	19	50
		101.25 POB 48	BSP 1-1/2	34.5	153	22	55



Conical male thread plug with valve / Verschlussnippel mit Aussengewinde konisch

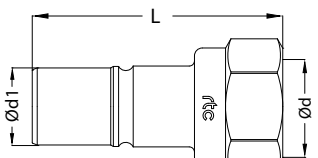
TYPE 101 

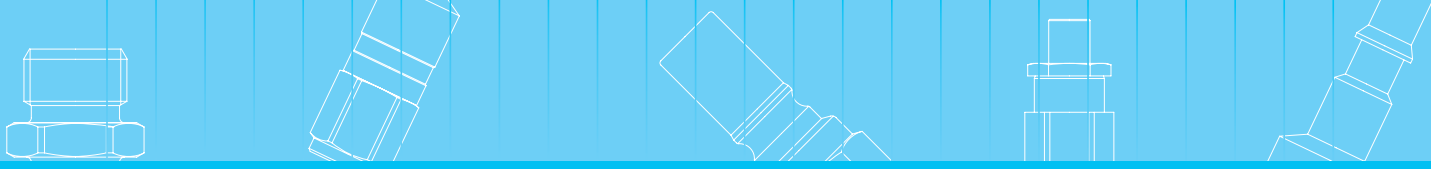
Plugs / Nippel	Size / Größe	Order No / Bestellnr. With valve / mit Ventil	Ød	Ød1	L	L1	HEX.
	20	101.20 PTB 33	NPT 1	29.5	146	24	42
	25	101.25 PTB 48	NPT 1-1/2	34.5	156	24	50



Cylindrical female thread plug / Nippel mit Innengewinde zylindrisch

TYPE 101 

Plugs / Nippel	Size / Größe	Order No / Bestellnr. Without valve / ohne Ventil	Ød	Ød1	L	HEX.
	20	101.20 PFF 33	BSP 1	29.5	92	41
	25	101.25 PFF 33	BSP 1	34.5	100	41
	25	101.25 PFF 42	BSP 1-1/4	34.5	108	50
	25	101.25 PFF 48	BSP 1-1/2	34.5	108	55



rtc[®]

COUPLING TECHNOLOGY



One hand Connection
Push-pull Disconnection

Eine Hand Kuppeln
Push-Pull Lösen

102

rtc TYPE



Temperature Range - Temperaturbereich

Nitrile (N) -20°C + 100°C (-4°F + 212°F)
FPM (V) -20°C + 180°C (-4°F + 356°F)

Max. Working Pressure - Max. Betriebsdruck

rtc 102.03 50 bar (725 PSI)
rtc 102.06 50 bar (725 PSI)
rtc 102.07 50 bar (725 PSI)
rtc 102.08 50 bar (725 PSI)
rtc 102.09 50 bar (725 PSI)
rtc 102.12 50 bar (725 PSI)
rtc 102.16 50 bar (725 PSI)
rtc 102.25 50 bar (725 PSI)

Flow size - Nennweiten

rtc 102.03 3 mm
rtc 102.06 6 mm
rtc 102.07 7 mm
rtc 102.08 8 mm
rtc 102.09 9 mm
rtc 102.12 12 mm
rtc 102.16 16 mm
rtc 102.25 25 mm

Material

Socket Body - Kupplungsgrundkörper Brass - Messing
Sleeve - Hülse Stainless Steel - Edelstahl
Valve - Ventil Brass - Messing
Springs - Federn Stainless Steel - Edelstahl
Locking Ring - Sprengring Stainless Steel - Edelstahl
Balls - Kugeln Stainless Steel - Edelstahl
Seals - Dichtungen FPM (V)

Plug - Nippel Stainless Steel - Edelstahl
Back part Nippel - Nippel Hinterteil Brass - Messing

Standard version - Standardversion

FPM (V)

Options - Optionen

SS Stainless Steel - Edelstahl
E EPDM Seal - EPDM Dichtung
W FFKM Seal - FFKM Dichtung

Colour coding - Farbkodierung

R Red - Rot
B Blue - Blau

PP Push-Pull disconnect by using one hand
Eine Hand Kuppeln Push-Pull Lösen

Using Area

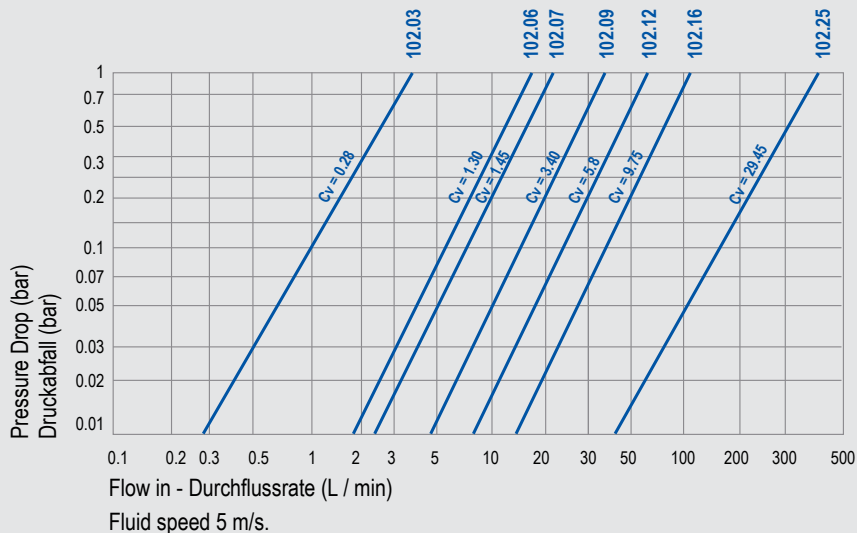
- On temperature regulation applications with hot or cold water, oil etc.
- Blow moulding industry
- Injection moulding industries.
- On steam line.

Anwendungsbereiche

- Zuleitung für die Temperierung / Druckluft
- Blasformmaschinen Industrie
- Kühlung mit Öl oder Wasser
- Kunststoffindustrie

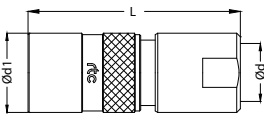


Flow Rate vs Pressure Drop Graph / Durchflussrate vs Druckabfall

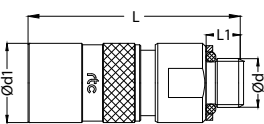


102
rtc TYPE

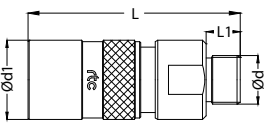
rtc TYPE 102 Female thread socket / Kupplung mit Innengewinde 

Socket / Kupplung	Size / Größe	Order No / Bestellnr.	Ød	Ød1	L	HEX.
	03	102.03 SFB 10	BSP 1/8	17	49	13
		102.03 SNB 10	NPT 1/8	17	49	13
	06	102.06 SFB 13	BSP 1/4	22	61	20
		102.06 SQB 13	BSPT 1/4	22	61	20
		102.06 SNB 13	NPT 1/4	22	61	20
		102.06 SFB 17	BSP 3/8	22	65	21
	07	102.07 SFB 13	BSP 1/4	22	61	20
		102.07 SQB 13	BSPT 1/4	22	61	20
		102.07 SNB 13	NPT 1/4	22	61	20
		102.07 SFB 17	BSP 3/8	22	65	21
	09	102.09 SFB 17	BSP 3/8	30	76	24
		102.09 SNB 17	NPT 3/8	30	76	24
		102.09 SFB 21	BSP 1/2	30	78	25
		102.09 SNB 21	NPT 1/2	30	78	25
	12	102.12 SFB 21	BSP 1/2	44	103	27
		102.12 SNB 21	NPT 1/2	44	103	27
16	102.16 SFB 26	BSP 3/4	55	130	36	
	102.16 SNB 26	NPT 3/4	55	130	36	
25	102.25 SFB 33	BSP 1	67	148	55	
	102.25 SNB 33	NPT 1	67	148	55	
	102.25 SFB 42	BSP 1-1/4	67	141	55	
	102.25 SNB 42	NPT 1-1/4	67	141	55	

rtc TYPE 102 Cylindrical male thread socket with O-Ring / Kupplung mit Aussengewinde zylindrisch mit O-Ring 

Socket / Kupplung	Size / Größe	Order No / Bestellnr.	Ød	Ød1	L	L1	HEX.
 <p>Con. 60° / 60° Innenkonus</p>	03	102.03 SOB 10	BSP 1/8	17	47	8	14
		06	102.06 SOB 13	BSP 1/4	22	59	11
	102.06 SOB 17		BSP 3/8	22	60	12	20
	07	102.07 SOB 13	BSP 1/4	22	59	11	20
		102.07 SOB 17	BSP 3/8	22	60	12	20
	09	102.09 SOB 17	BSP 3/8	28	80	12	24
		102.09 SOB 21	BSP 1/2	28	84	14	24
	12	102.12 SOB 21	BSP 1/2	55	103	15	36
	16	102.16 SOB 26	BSP 3/4	55	132	18	38
	25	102.25 SOB 33	BSP 1	67	150	18	55
		102.25 SOB 42	BSP 1-1/4	67	154	22	55

rtc TYPE 102 24° Innerconical male thread socket / Kupplung mit Aussengewinde 24° Innerkonus 

Socket / Kupplung	Size / Größe	Order No / Bestellnr.	Ød	Ød1	L	L1	HEX.	
 <p>Con. 24° / 24° Innenkonus</p>	06	102.06 SMB 1615-10	M16x1.5	22	59	11	20	
	07	102.07 SMB 1615-10	M16x1.5	22	59	11	20	
	09	102.09 SMB 1815-12	M18x1.5	28	80	11	24	
	03	102.03 STB 10	NPT 1/8	17	48	9	14	
		06	102.06 STB 13	NPT 1/4	22	60	12	20
		07	102.07 STB 13	NPT 1/4	22	60	12	20
		09	102.09 STB 17	NPT 3/8	28	83	14	24



Female thread socket 90° / Kupplung mit 90° Innengewinde

TYPE 102 **rtc**

Socket / Kupplung	Size / Größe	Order No / Bestellnr.	Ød	Ød1	L	L1	HEX.
	06	102.06 SFB 13-90	BSP 1/4	22	58	25	21
	06	102.06 SNB 13-90	NPT 1/4	22	58	25	21
	07	102.07 SFB 13-90	BSP 1/4	22	58	25	21
	07	102.07 SNB 13-90	NPT 1/4	22	58	25	21
	09	102.09 SFB 17-90	BSP 3/8	28	77	20	25



Male thread socket 90° / Kupplung mit 90° Aussengewinde

TYPE 102 **rtc**

Socket / Kupplung	Size / Größe	Order No / Bestellnr.	Ød	Ød1	L	L1	HEX.
<p>Con. 60° / 60° Innenkonus</p>	06	102.06 SOB 13-90	BSP 1/4	22	58	11	21
	07	102.07 SOB 13-90	BSP 1/4	22	58	11	21
	09	102.09 SOB 17-90	BSP 3/8	28	77	12	25



24° Innerconical male thread socket 90° / Kupplung mit 90° Aussengewinde 24° Innenkonus

TYPE 102 **rtc**

Socket / Kupplung	Size / Größe	Order No / Bestellnr.	Ød	Ød1	L	L1	HEX.
<p>Con. 24° / 24° Innenkonus</p>	06	102.06 SMB 1615-10-90	M16x1.5	22	58	11	21
	07	102.07 SMB 1615-10-90	M16x1.5	22	58	11	21
	09	102.09 SMB 1815-12-90	M18x1.5	28	77	11	25



Cylindrical male thread socket 90° / Kupplung mit 90° Aussengewinde zylindrisch

TYPE 102 **rtc**

Socket / Kupplung	Size / Größe	Order No / Bestellnr.	Ød	L	L1	L2	HEX.
	06	102.06 SOB 13x24-90	BSP 1/4	58	36	24	21
	07	102.07 SOB 13x24-90	BSP 1/4	58	36	24	21
	09	102.09 SOB 17x24-90	BSP 3/8	77	42	24	25



Standard hose tail socket / Kupplung mit gerader Standard - Schlauchtülle

TYPE 102 **rtc**

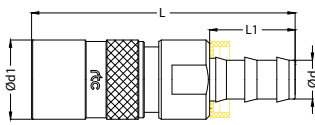
Socket / Kupplung	Size / Größe	Order No / Bestellnr.	Ød	Ød1	L	L1	HEX.
	06	102.06 SHB 10	10 mm	22	75	26	20
	06	102.06 SHB 12	12 mm	22	75	26	20
	07	102.07 SHB 10	10 mm	22	75	26	20
	07	102.07 SHB 12	12 mm	22	75	26	20
	09	102.09 SHB 12	12 mm	28	115	26	24

rtc TYPE 102

Push to connect hose tail socket / Kupplung mit gerader Schnellsteck - Schlauchtülle



Socket / Kupplung



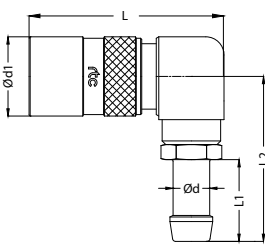
Size Größe	Order No / Bestellnr.	Ød	Ød1	L	L1	HEX.
06	102.06 SPB 10	10 mm	22	72	24	20
07	102.07 SPB 10	10 mm	22	72	24	20
09	102.09 SPB 13	13 mm	28	95.5	28	24

rtc TYPE 102

Standard hose tail socket 90° / Kupplung mit 90° Standard - Schlauchtülle



Socket / Kupplung



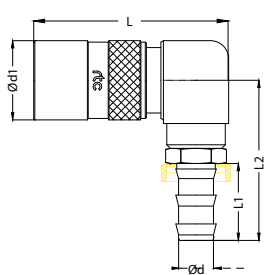
Size Größe	Order No / Bestellnr.	Ød	Ød1	L	L1	L2	HEX.
06	102.06 SHB 10-90	10 mm	22	57	28	38	21
07	102.07 SHB 10-90	10 mm	22	57	28	38	21
09	102.09 SHB 13-90	13 mm	28	95	28	42	25

rtc TYPE 102

Push to connect hose tail socket 90° / Kupplung mit 90° Schnellsteck - Schlauchtülle



Socket / Kupplung



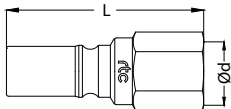
Size Größe	Order No / Bestellnr.	Ød	Ød1	L	L1	L2	HEX.
06	102.06 SPB 10-90	10 mm	22	57	24	38	21
07	102.07 SPB 10-90	10 mm	22	57	24	38	21
09	102.09 SPB 13-90	13 mm	28	95	28	42	25

rtc TYPE 102

Female thread plug / Nippel mit Innengewinde



Plug / Nippel



Size Größe	Order No / Bestellnr.	Ød	L	HEX.
03	102.03 PFB 10	BSP 1/8	41	13
	102.03 PNB 10	NPT 1/8	41	13
06	102.06 PFB 13	BSP 1/4	54	17
	102.06 PFB 17	BSP 3/8	54	19
07	102.07 PFB 13	BSP 1/4	54	17
	102.07 PFB 17	BSP 3/8	54	19
09	102.09 PFB 17	BSP 3/8	67	24
	102.09 PNB 17	NPT 3/8	67	24
12	102.12 PFB 21	BSP 1/2	90	30
	102.12 PNB 21	NPT 1/2	90	30
16	102.16 PFB 26	BSP 3/4	102	38
	102.16 PNB 26	NPT 3/4	102	38
25	102.25 PFB 33	BSP 1	123	55
	102.25 PNB 33	NPT 1	123	55
	102.25 PFB 42	BSP 1-1/4	126	55
	102.25 PNB 42	NPT 1-1/4	123	55



Cylindrical male thread plug / Nippel mit Aussengewinde zylindrisch

TYPE 102 **rtc**

Plug / Nippel	Size Größe	Order No / Bestellnr.	Ød	L	L1	HEX.
	03	102.03 POB 10	BSP 1/8	40	8	13
	06	102.06 POB 13	BSP 1/4	54	10	17
		102.06 POB 17	BSP 3/8	54	10	19
	07	102.07 POB 13	BSP 1/4	54	10	17
		102.07 POB 17	BSP 3/8	54	10	21
	09	102.09 POB 17	BSP 3/8	67	13	24
	12	102.12 POB 21	BSP 1/2	88	15	30
	16	102.16 POB 26	BSP 3/4	103	18	38
25	102.25 POB 42	BSP 1-1/4	128	21	55	



Conical male thread plug / Nippel mit Aussengewinde konisch

TYPE 102 **rtc**

Plug / Nippel	Size Größe	Order No / Bestellnr.	Ød	L	L1	HEX.
	06	102.06 PRB 13	BSPT 1/4	56	12	17
		102.06 PTB 13	NPT 1/4	57	13	17
		102.06 PRB 17	NPT 3/8	57	13	19
	07	102.07 PRB 13	BSPT 1/4	56	12	17
		102.07 PTB 13	NPT 1/4	57	13	17
		102.07 PRB 17	NPT 3/8	57	13	19
	09	102.09 PRB 17	BSPT 3/8	69	13	23
		102.09 PTB 17	NPT 3/8	69	13	23
	12	102.12 PRB 21	BSPT 1/2	90	17	30
		102.12 PTB 21	NPT 1/2	90	17	30
	16	102.16 PRB 26	BSPT 3/4	104	19	38
		102.16 PTB 26	NPT 3/4	104	19	38
25	102.25 PRB 42	BSPT 1-1/4	130	23	30	
	102.25 PTB 42	NPT 1-1/4	130	23	30	



Cylindrical male thread plug extension / Verlängerungsnippel mit Aussengewinde zylindrisch

TYPE 102 **rtc**

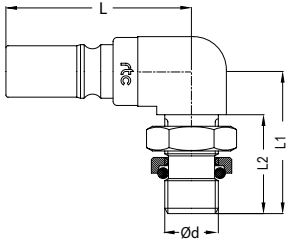
Plug / Nippel	Size Größe	Order No / Bestellnr.	Ød	L	L1	HEX.
	06	102.06 POB 13x64	BSP 1/4	64	10	17
		102.06 POB 13x80	BSP 1/4	82	10	17
		102.06 POB 13x110	BSP 1/4	112	10	17
	07	102.07 POB 13x64	BSP 1/4	64	10	17
		102.07 POB 13x80	BSP 1/4	82	10	17
		102.07 POB 13x110	BSP 1/4	112	10	17

rtc TYPE 102

Cylindrical male thread plug 90° / Nippel mit 90° Aussengewinde zylindrisch



Plug / Nippel



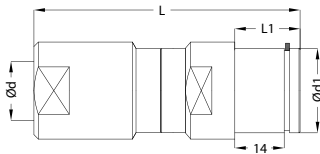
Size Größe	Order No / Bestellnr.	Ød	L	L1	L2	HEX.
06	102.06 POB 13x24-90	BSP 1/4	45	34	24	21
07	102.07 POB 13x24-90	BSP 1/4	45	34	24	21
09	102.09 POB 17x24-90	BSP 3/8	73	42	24	25

rtc TYPE M102

Female thread docking socket / Kupplung mit Innengewinde



Socket / Kupplung



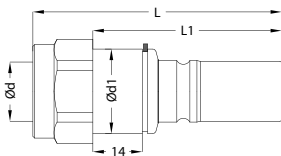
Size / Größe	Order No / Bestellnr.	Ød	Ød1	L	L1	HEX.
06	M 102.06 SFB 13	BSP 1/4	18	59	18.5	20
07	M 102.07 SFB 13	BSP 1/4	18	59	18.5	20
09	M 102.09 SFB 17	BSP 3/8	24	75.5	18.5	27
09	M 102.09 SFB 21	BSP 1/2	24	75.5	18.5	27

rtc TYPE M102

Female thread docking plug / Nippel mit Innengewinde



Plug / Nippel



Size / Größe	Order No / Bestellnr.	Ød	Ød1	L	L1	HEX.
06	M 102.06 PFB 13	BSP 1/4	18	54	44.5	19
07	M 102.07 PFB 13	BSP 1/4	18	54	44.5	19
09	M 102.09 PFB 17	BSP 3/8	24	71	53.5	27
09	M 102.09 PFB 21	BSP 1/2	24	71	53.5	27



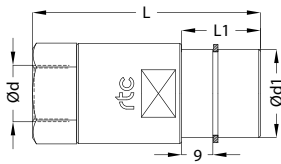
Female thread manifold socket / Manifold Kupplung mit Innengewinde

TYPE 102.08



Socket / Kupplung

Size / Größe	Order No / Bestellnr.	Ød	Ød1	L	L1	HEX.
08	102.08 SFB 13	BSP 1/4	26	67	23.5	26
08	102.08 SFB 17	BSP 3/8	26	67	23.5	26



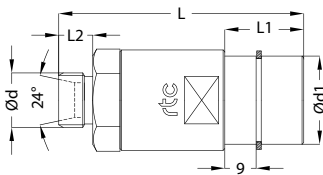
Male thread manifold socket / Manifold Kupplung mit Aussengewinde

TYPE 102.08



Plug / Nippel

Size / Größe	Order No / Bestellnr.	Ød	Ød1	L	L1	L2
08	102.08 SMB 1415-08	M14x1.5	26	70	23.5	11
08	102.08 SMB 1615-10	M16x1.5	26	70	23.5	11



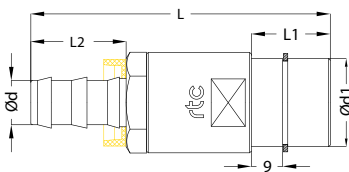
Push to connect hose tail manifold socket / Manifold Kupplung mit gerader Schnellsteck - Schlauchtülle

TYPE 102.08



Plug / Nippel

Size / Größe	Order No / Bestellnr.	Ød	Ød1	L	L1	L2
08	102.08 SPB 10	10 mm	26	83	23.5	24
08	102.08 SPB 13	13 mm	26	87	23.5	28



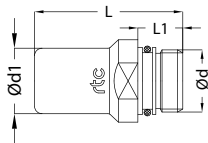
Male thread manifold plug / Manifold Nippel mit Aussengewinde

TYPE 102.08



Plug / Nippel

Size / Größe	Order No / Bestellnr.	Ød	Ød1	L	L1	HEX.
08	102.08 POB 17	BSP 3/8	17.5	39.5	12	20





rtc[®]

COUPLING TECHNOLOGY



103

rtc TYPE



Temperature Range - Temperaturbereich
 -20°C +100°C (-4°F +212°F) Nitril (N)
 -10°C +180°C (+14°F +356°F) FPM (V)

Flow size - Nennweiten

rtc 103.06	7 mm
rtc 103.07	8 mm
rtc 103.08	10 mm
rtc 103.11	11 mm
rtc 103.12	12 mm
rtc 103.15	15 mm
rtc 103.19	19 mm
rtc 103.25	25 mm
rtc 103.33	33 mm

Material

Coupler Body- Kupplungsgrundkörper	Stainless steel - Edelstahl
Sleeve - Hülse	Hardened alloysteel - Gehärteter Stahl
Valve - Ventil	Stainless steel - Edelstahl
Springs - Federn	Stainless steel - Edelstahl
Seal - Dichtung	FPM (V)
Balls - Kugeln	Stainless steel - Edelstahl
Plug - Nippel	Hardened stainless steel - Gehärteter Edelstahl

Options - Optionen

- N** NBR Seal - NBR Dichtung
- R** Red Body - Grundkörper Rot
- P** Pressure release valf -
Druckentlastungsventil

Using Area

- On hydraulic oil circuits
- Hydraulic test units
- Injection moulding industries / core pullers

Anwendungsbereiche

- Hydraulische Verbindungen
- Hydraulik Prüfstände
- Kunststoffindustrie / Kernzüge

**Safety type coupler
for disconnect protection**

**Sicherheitsfunktion
für das ungewollte
Trennen**



Max. Working pressure / Max. Arbeitsdruck (bar)

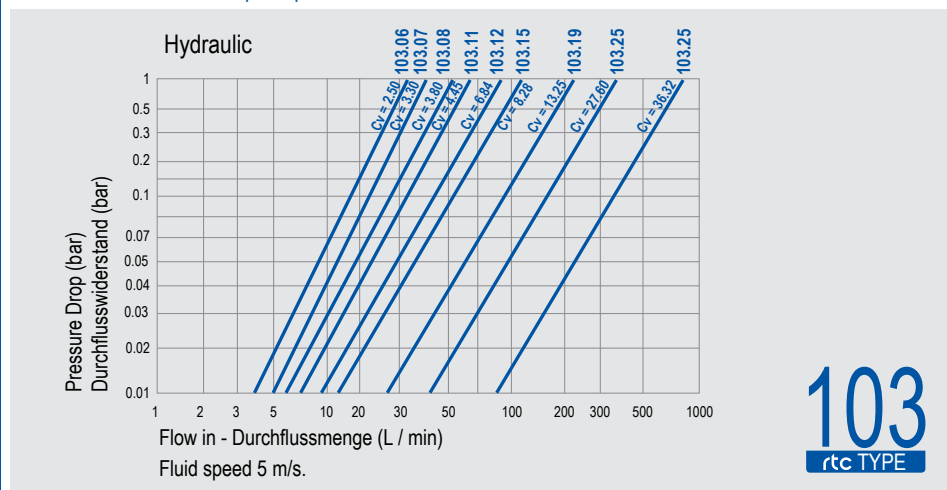
Size / Größe	06	07	08	11	12	15	19	25	33
Connected	800	500	450	450	400	400	400	350	350
Disconnected	180	180	180	180	180	180	180	180	180

Max. Residual pressure for connection under pressure (bar)

Max. Restdruck für die Verbindung unter Druck (bar)

Socket / Kupplung	180	180	180	180	180	180	180	180	180
Plug / Nippel	50	50	50	50	50	50	50	50	50

Flow Rate vs Pressure Drop Graph / Durchflussrate vs Druckabfall



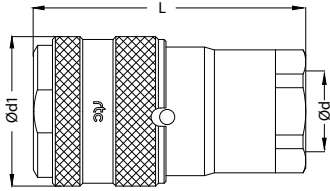
103
rtc TYPE

rtc TYPE 103

Female thread socket / Kupplung mit Innengewinde



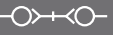
Socket / Kupplung



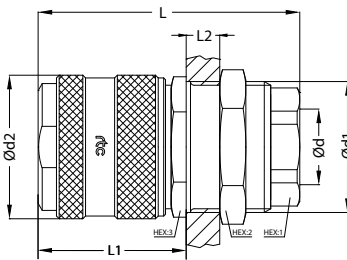
Size Größe	Order No / Bestellnr.	Ød	Ød1	L	HEX.
06	103.06 SFB 13	BSP 1/4	27	58	22
07	103.07 SFB 17	BSP 3/8	31.5	59.5	25
08	103.08 SFB 21	BSP 1/2	39	72	30
11	103.11 SFB 21	BSP 1/2	39	72	30
12	103.12 SFB 26	BSP 3/4	50	89	41
15	103.15 SFB 26	BSP 3/4	50	89	41
19	103.19 SFB 33	BSP 1	64.5	120	55
25	103.25 SFB 42	BSP 1-1/4	78	120	65
33	103.33 SFB 48	BSP 1-1/2	87	138	80

rtc TYPE 103

Panel mounted female thread socket / Kupplung mit Innengewinde und Schottverschraubung



Socket / Kupplung

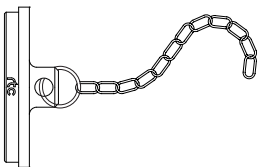


Size Größe	Order No / Bestellnr.	Ød	Ød1	Ød2	L	L1	L2	HEX.1	HEX.2	HEX.3
07	103.07 SFBP 17	BSP 3/8	M30x1	31.5	59.5	39	8	25	34	32
08	103.08 SFBP 21	BSP 1/2	M34x1	39	72	42	13	30	38	36
11	103.11 SFBP 21	BSP 1/2	M34x1	39	72	42	13	30	38	36
12	103.12 SFBP 26	BSP 3/4	M44x1.5	50	89	48	22	41	54	52
15	103.15 SFBP 26	BSP 3/4	M44x1.5	50	89	48	22	41	54	52

rtc TYPE 103

Dust cup for socket / Staubkappe für Kupplung

Dust Cup / Staubkappe

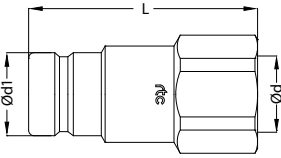


Size Größe	Order No / Bestellnr.
06	103.06 SD 00
07	103.07 SD 00
08	103.08 SD 00
11	103.11 SD 00
12	103.12 SD 00
15	103.15 SD 00
19	103.19 SD 00
25	103.25 SD 00



Female thread plug / Nippel mit Innengewinde

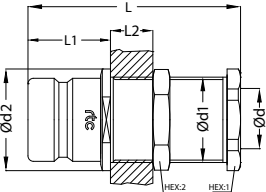
TYPE 103 **rtc**

Plug / Nippel	Size Größe	Order No / Bestellnr.	Ød	Ød1	L	HEX.
	06	103.06 PFB 13	BSP 1/4	14.2	48.5	19
	07	103.07 PFB 17	BSP 3/8	18	50.3	22
	08	103.08 PFB 21	BSP 1/2	22.8	63	30
	11	103.11 PFB 21	BSP 1/2	22.8	63	30
	12	103.12 PFB 26	BSP 3/4	30.8	74	36
	15	103.15 PFB 26	BSP 3/4	30.8	74	36
	19	103.19 PFB 33	BSP 1	40.1	95	45
	25	103.25 PFB 42	BSP 1-1/4	51	107.5	55
	33	103.33 PFB 48	BSP 1-1/2	64.5	118	70



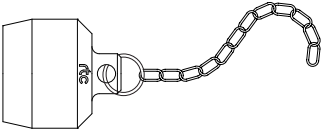
Panel mounted female thread plug / Nippel mit Innengewinde und Schottverschraubung

TYPE 103 **rtc**

Plug / Nippel	Size Größe	Order No / Bestellnr.	Ød	Ød1	Ød2	L	L1	L2	HEX.1	HEX.2
	07	103.07 PFBP 17	BSP 3/8	M22x1	30	50.3	21	15	24	24
	08	103.08 PFBP 21	BSP 1/2	M26x1	36	63	24.5	25.5	30	32
	11	103.11 PFBP 21	BSP 1/2	M26x1	36	63	24.5	25.5	30	32
	12	103.12 PFBP 26	BSP 3/4	M34x1	41	74	30	25	41	38
	15	103.15 PFBP 26	BSP 3/4	M34x1	41	74	30	25	41	38

Dust cup for plug / Staubkappe für Nippel

TYPE 103 **rtc**

Dust Cup / Staubkappe	Size Größe	Order No / Bestellnr.
	06	103.06 PD 00
	07	103.07 PD 00
	08	103.08 PD 00
	11	103.11 PD 00
	12	103.12 PD 00
	15	103.15 PD 00
	19	103.19 PD 00
25	103.25 PD 00	



rtc[®]

COUPLING TECHNOLOGY



104

rtc TYPE



Temperature Range - Temperaturbereich

Nitrile (N)	-20°C + 100°C (-4°F + 212°F)
FPM (V)	-20°C + 180°C (-4°F + 356°F)
EPDM (E)	-40°C + 150°C (-40°F + 302°F)
FFKM (W)	0°C +270°C (+23°F +518°F)

Flow size - Nennweiten

rtc 104.04	4 mm
rtc 104.06	6 mm
rtc 104.08	8 mm
rtc 104.10	10 mm
rtc 104.12	12 mm
rtc 104.15	15 mm
rtc 104.20	20 mm
rtc 104.25	25 mm
rtc 104.32	32 mm
rtc 104.37	37 mm
rtc 104.50	50 mm
rtc 104.75	75 mm

Using Area

- On temperature regulation applications with hot or cold water, oil etc.
- Injection moulding industries.
- On steam line.

Anwendungsbereiche

- Werkzeugtemperierung
- Kühlung mit Öl oder Wasser
- Kunststoffindustrie
- Dampfanwendungen

Standart Version - Standardversion

Fluorocarbone - FPM (V)

Materials

Standart Type 104.04 to 104.20

Body of sockets in high resistance stainless steel
Shut-off valve of body in brass nickel plated
Absperr-Ventil in Messing vernickelt

Body of plugs in high resistance stainless steel
Shut-off valve of plug in brass nickel plated
Absperr-Ventil des Nippels Messing vernickelt

Standart Type 104.32 to 104.75

Body of sockets, shut-off valve and back adaptors in brass nickel plated
Grundkörper der Kupplung, Absperr-Ventil in Messing vernickelt

Body of plugs and back adaptors shut-off valve off socket in high resistance stainless steel
Grundkörper des Nippels, Absperr-Ventil in widerstandsfähigem Edelstahl

HP - Type 104.04 to 104.25

Body of sockets and shut-off valve in high resistance stainless steel
Grundkörper der Kupplung aus widerstandsfähigem Edelstahl

Body of plugs and back adaptors in high resistance stainless steel
Grundkörper des Nippels aus widerstandsfähigem Edelstahl

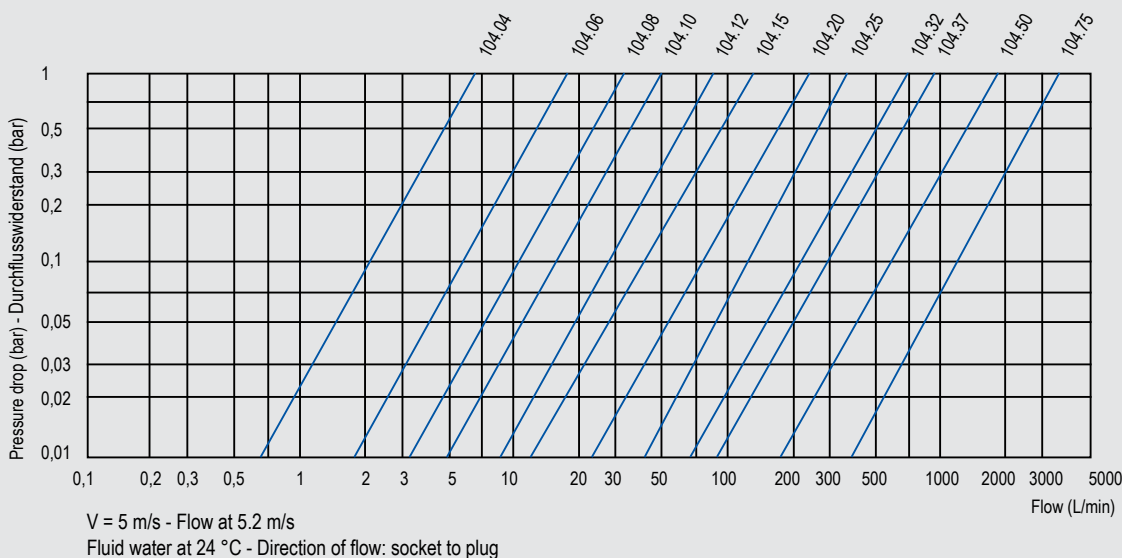




		104.04	104.06	104.08	104.10	104.12	104.15	104.20	104.25
Nominal Diameter	(mm)	4	6	8	10	12	15	20	25
Max. Working Pressure	Standard Version (bar)	160	160	160	160	160	160	160	160
	HP Version (bar)	500	500	500	500	250	250	250	250
Data at 5 m/s	Water Flow (L / min)	3,80	8,50	15,10	23,70	33,95	53	94,3	147,3
	Pressure Drop (bar)	0,320	0,230	0,220	0,190	0,160	0,180	0,160	0,150
Cv		0,45	1,24	2,25	3,75	5,85	8,70	16,50	25,20
Compressed Air Flow Upstream Pressure 6 Bar, $\Delta p = 0,3$ Bar	(Nm ³ / h)	16,1	43,5	80	125	211	310	577	938
Socket / Plug Repulsion Cross Section	(cm ²)	0,90	1,55	2,15	3,40	4,50	6,80	11,35	17,4
Connecting Force Without Pressure	(N)	80	126	165	185	210	261	328	360
Min. Compensation Volume (cm ³)	Socket	0,8	1,5	2,1	3,3	5,6	9,8	17,2	30,5
	Plug	0,4	0,8	1,4	2,2	4,1	7,5	14	27,03
Loss Of Fluid (2) (Water) For One Disconnection Under Pressure 2,5 Bar	(cm ³)	0,0035	0,0100	0,0116	0,0150	0,0200	0,0210	0,0230	0,0780

		104.32	104.37	104.50	104.75
Standard Version					
Nominal Diameter	(mm)	32	37	50	75
Max. Working Pressure	(bar)	100	16	16	10
Data at 5 m/s	Water Flow (L / min)	248,5	332,5	589,05	1325
	Pressure Drop (bar)	0,145	0,135	0,112	0,120
Cv		50,2	66,51	115,05	237
Compressed Air Flow Upstream Pressure 6 Bar, $\Delta p = 0,3$ Bar	(Nm ³ / h)	1840	2450	4210	8500
Connecting Force Without Pressure	(N)	400	460	700	900
Socket / Plug Repulsion Cross Section	(cm ²)	23,5	31,2	56,8	125
Min. Compensation Volume (cm ³)	Socket	68,5	91,5	206,7	491
	Plug	58,6	77,5	178,6	405

Flow Rate vs Pressure Drop Graph / Durchflussrate vs Druckabfall



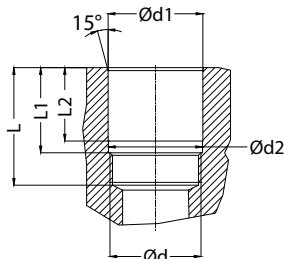
104
rtc TYPE



104 MP Serie Direct Assembling Sockets (Montage dimension) Kupplung für Direkteinbau mit Aussengewinde (Einbaumaße)

TYPE 104 **rtc**

Socket / Kupplung



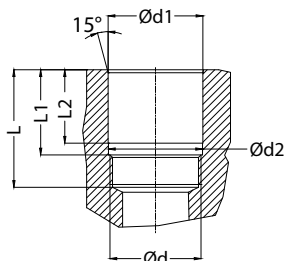
Body Size Größe	Connection Anschluss (Ød)	Ød1 G8	Ød2 F8	L + 0.1	L1 + 0.1	L2 + 0.1
04	M20x1.5	21	20.5	42	33	26
06	M24x1.5	25	24.5	42	33	26
08	M27x1.5	28	27.5	45	33	27
10	M27x1.5	28	27.5	45	33	27
12	M36x1.5	37	36.5	53	33	27
15	M42x1.5	43	42.5	64	43	36
20	M52x2.0	54	53	70	46	39
25	M64x2.0	66	65	92	64	54.5



104 MP Serie Direct Assembling Plugs (Montage dimension) Nippel für Direkteinbau mit Aussengewinde (Einbaumaße)

TYPE 104 **rtc**

Plug / Nippel



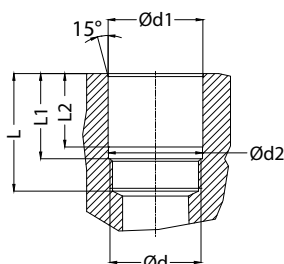
Body Size Größe	Connection Anschluss (Ød)	Ød1 G8	Ød2 F8	L + 0.1	L1 + 0.1	L2 + 0.1
04	M20x1.5	21	20.5	38	28	21.5
06	M24x1.5	25	24.5	38	28	21.5
08	M27x1.5	28	27.5	40	28	21.5
10	M27x1.5	28	27.5	40	28	21.5
12	M36x1.5	37	36.5	48	28	21.5
15	M42x1.5	43	42.5	59	38	31.5
20	M52x2.0	54	53	67	42	35
25	M64x2.0	66	65	88	60	50



Standart Serie Direct Assembling Sockets (Montage dimension) - Standart Kupplung für Direkteinbau mit Aussengewinde (Einbaumaße)

TYPE 104 **rtc**

Socket / Kupplung



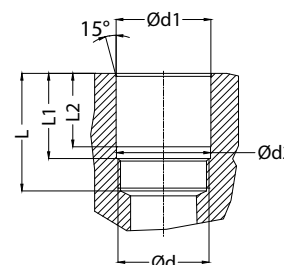
Body Size Größe	Connection Anschluss (Ød)	Ød1 G8	Ød2 F8	L + 0.1	L1 + 0.1	L2 + 0.1
04	M20x1.5	21	20.5	30	21	14
06	M24x1.5	25	24.5	30	21	14
08	M27x1.5	28	27.5	33	21	15
10	M27x1.5	28	27.5	33	21	15
12	M36x1.5	37	36.5	41	21	15
15	M42x1.5	43	42.5	52	31	24
20	M52x2.0	54	53	58	34	27
25	M64x2.0	66	65	80	52	42.5



Standart Serie Direct Assembling Plugs (Montage dimension) - Standart Nippel für Direkteinbau mit Aussengewinde (Einbaumaße)

TYPE 104 **rtc**

Plug / Nippel



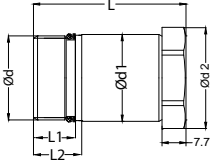
Body Size Größe	Connection Anschluss (Ød)	Ød1 G8	Ød2 F8	L + 0.1	L1 + 0.1	L2 + 0.1
04	M20x1.5	21	20.5	26	16	9.5
06	M24x1.5	25	24.5	26	16	9.5
08	M27x1.5	28	27.5	28	16	9.5
10	M27x1.5	28	27.5	28	16	9.5
12	M36x1.5	37	36.5	36	16	9.5
15	M42x1.5	43	42.5	47	26	19.5
20	M52x2.0	54	53	55	30	23
25	M64x2.0	66	65	76	48	38

rtc TYPE 104 MP

Male thread socket / Kupplung mit Aussengewinde



Socket / Kupplung



104 MP Serie Direct Assembling Sockets
Kupplung für Direkteinbau

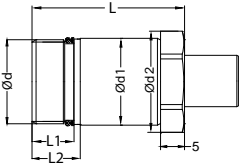
Order No / Bestellnr.	Body Size Größe	Connection Anschluss (Ød)	Ød1	Ød2	L	L1	L2	HEX.
104.04 SMB 2015 MP	04	M20x1.5	21	25	47	11.5	14	22
104.06 SMB 2415 MP	06	M24x1.5	25	29	47	11.5	14	26
104.08 SMB 2715 MP	08	M27x1.5	28	33	49	13.5	16	29
104.10 SMB 2715 MP	10	M27x1.5	28	33	49	13.5	16	29
104.12 SMB 3615 MP	12	M36x1.5	37	42	57	21.5	24	38
104.15 SMB 4215 MP	15	M42x1.5	43	47	68	22.5	25	42
104.20 SMB 5220 MP	20	M52x2.0	54	62	74.5	25.5	28.5	50
104.25 SMB 6420 MP	25	M64x2.0	66	75	96.5	32	36	55
104.32 SMB 7220 MP	32	M72x2.0	76	82	100	36	41	75

rtc TYPE 104 MP

Male thread plug / Nippel mit Aussengewinde



Plugs / Nippel



104 MP Serie Direct Assembling Plugs
Nippel für Direkteinbau

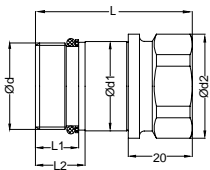
Order No / Bestellnr.	Body Size Größe	Connection Anschluss (Ød)	Ød1	Ød2	L	L1	L2	HEX.
104.04 PMB 2015 MP	04	M20x1.5	21	25	40	11.5	14	22
104.06 PMB 2415 MP	06	M24x1.5	25	29	40	11.5	14	26
104.08 PMB 2715 MP	08	M27x1.5	28	33	42	13.5	16	29
104.10 PMB 2715 MP	10	M27x1.5	28	33	42	13.5	16	29
104.12 PMB 3615 MP	12	M36x1.5	37	42	50	21.5	24	38
104.15 PMB 4215 MP	15	M42x1.5	43	47	61	22.5	25	42
104.20 PMB 5220 MP	20	M52x2.0	54	62	67.5	25.5	28.5	50
104.25 PMB 6420 MP	25	M64x2.0	66	75	89.5	32	36	55
104.32 PMB 7220 MP	32	M72x2.0	76	82	78	36	41	75

rtc TYPE 104

Male thread socket / Kupplung mit Aussengewinde



Socket / Kupplung



104 Serie Direct Assembling Sockets
Kupplung für Direkteinbau

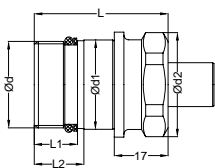
Order No / Bestellnr.	Body Size Größe	Connection Anschluss (Ød)	Ød1	Ød2	L	L1	L2	HEX.
104.04 SMB 2015	04	M20x1.5	21	25	47	11.5	14	22
104.06 SMB 2415	06	M24x1.5	25	29	47	11.5	14	26
104.08 SMB 2715	08	M27x1.5	28	33	49	13.5	16	29
104.10 SMB 2715	10	M27x1.5	28	33	49	13.5	16	29
104.12 SMB 3615	12	M36x1.5	37	42	57	21.5	24	38
104.15 SMB 4215	15	M42x1.5	43	47	68	22.5	25	42
104.20 SMB 5220	20	M52x2.0	54	62	74.5	25.5	28.5	50
104.25 SMB 6420	25	M64x2.0	66	75	96.5	32	36	55
104.32 SMB 7220	32	M72x2.0	76	82	100	36	41	75

rtc TYPE 104

Male thread plug / Nippel mit Aussengewinde



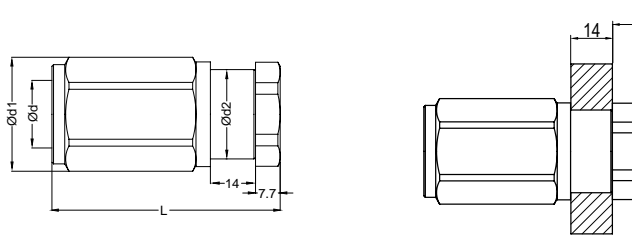
Plugs / Nippel



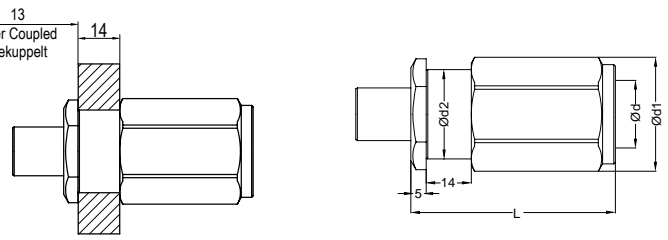
104 Serie Direct Assembling Plugs
Nippel für Direkteinbau

Order No / Bestellnr.	Body Size Größe	Connection Anschluss (Ød)	Ød1	Ød2	L	L1	L2	HEX.
104.04 PMB 2015	04	M20x1.5	21	25	40	11.5	14	22
104.06 PMB 2415	06	M24x1.5	25	29	40	11.5	14	26
104.08 PMB 2715	08	M27x1.5	28	33	42	13.5	16	29
104.10 PMB 2715	10	M27x1.5	28	33	42	13.5	16	29
104.12 PMB 3615	12	M36x1.5	37	42	50	21.5	24	38
104.15 PMB 4215	15	M42x1.5	43	47	61	22.5	25	42
104.20 PMB 5220	20	M52x2.0	54	62	67.5	25.5	28.5	50
104.25 PMB 6420	25	M64x2.0	66	75	89.5	32	36	55
104.32 PMB 7220	32	M72x2.0	76	82	78	36	41	75

rtc TYPE 104 MP Socket / Kupplung



rtc TYPE 104 MP Plugs / Nippel



104.04 MP	Body Size	Connection	Ød1	Ød2	L	HEX.
Order No / Bestellnr.	Größe	Anschluss (Ød)				
104.04 SFB 13 MP	04	BSP 1/4	25	21	47	22
104.04 SQB 13 MP	04	BSPT 1/4	25	21	47	22
104.04 SNB 13 MP	04	NPT 1/4	25	21	47	22
104.04 SUB 1120 MP	04	UNF 7/16-20	25	21	47	22

104.04 MP	Body Size	Connection	Ød1	Ød2	L	HEX.
Order No / Bestellnr.	Größe	Anschluss (Ød)				
104.04 PFB 13 MP	04	BSP 1/4	25	21	58	22
104.04 PQB 13 MP	04	BSPT 1/4	25	21	58	22
104.04 PNB 13 MP	04	NPT 1/4	25	21	58	22
104.04 PUB 1120 MP	04	UNF 7/16-20	25	21	58	22

104.06 MP	Body Size	Connection	Ød1	Ød2	L	HEX.
Order No / Bestellnr.	Größe	Anschluss (Ød)				
104.06 SFB 17 MP	06	BSP 3/8	29	25	66.5	26
104.06 SQB 17 MP	06	BSPT 3/8	29	25	66.5	26
104.06 SNB 17 MP	06	NPT 3/8	29	25	66.5	26
104.06 SUB 1418 MP	06	UNF 9/16-18	29	25	66.5	26

104.06 MP	Body Size	Connection	Ød1	Ød2	L	HEX.
Order No / Bestellnr.	Größe	Anschluss (Ød)				
104.06 PFB 17 MP	06	BSP 3/8	29	25	59.5	26
104.06 PQB 17 MP	06	BSPT 3/8	29	25	59.5	26
104.06 PNB 17 MP	06	NPT 3/8	29	25	59.5	26
104.06 PUB 1418 MP	06	UNF 9/16-18	29	25	59.5	26

104.08 MP	Body Size	Connection	Ød1	Ød2	L	HEX.
Order No / Bestellnr.	Größe	Anschluss (Ød)				
104.08 SFB 21 MP	08	BSP 1/2	32.5	28	72.5	30
104.08 SQB 21 MP	08	BSPT 1/2	32.5	28	72.5	30
104.08 SNB 21 MP	08	NPT 1/2	32.5	28	72.5	30
104.08 SUB 1418 MP	08	UNF 9/16-18	32.5	28	72.5	30

104.08 MP	Body Size	Connection	Ød1	Ød2	L	HEX.
Order No / Bestellnr.	Größe	Anschluss (Ød)				
104.08 PFB 21 MP	08	BSP 1/2	33	28	64	30
104.08 PQB 21 MP	08	BSPT 1/2	33	28	64	30
104.08 PNB 21 MP	08	NPT 1/2	33	28	64	30
104.08 PUB 1418 MP	08	UNF 9/16-18	33	28	64	30

104.10 MP	Body Size	Connection	Ød1	Ød2	L	HEX.
Order No / Bestellnr.	Größe	Anschluss (Ød)				
104.10 SFB 21 MP	10	BSP 1/2	32.5	28	72.5	30
104.10 SQB 21 MP	10	BSPT 1/2	32.5	28	72.5	30
104.10 SNB 21 MP	10	NPT 1/2	32.5	28	72.5	30
104.10 SUB 1418 MP	10	UNF 9/16-18	32.5	28	72.5	30

104.10 MP	Body Size	Connection	Ød1	Ød2	L	HEX.
Order No / Bestellnr.	Größe	Anschluss (Ød)				
104.10 PFB 21 MP	10	BSP 1/2	33	28	64	30
104.10 PQB 21 MP	10	BSPT 1/2	33	28	64	30
104.10 PNB 21 MP	10	NPT 1/2	33	28	64	30
104.10 PUB 1418 MP	10	UNF 9/16-18	33	28	64	30

104.12 MP	Body Size	Connection	Ød1	Ød2	L	HEX.
Order No / Bestellnr.	Größe	Anschluss (Ød)				
104.12 SFB 26 MP	12	BSP 3/4	42	37	83	38
104.12 SQB 26 MP	12	BSPT 3/4	42	37	83	38
104.12 SNB 26 MP	12	NPT 3/4	42	37	83	38
104.12 SUB 2214 MP	12	UNF 7/8-14	42	37	83	38

104.12 MP	Body Size	Connection	Ød1	Ød2	L	HEX.
Order No / Bestellnr.	Größe	Anschluss (Ød)				
104.12 PFB 26 MP	12	BSP 3/4	42	37	75.5	38
104.12 PQB 26 MP	12	BSPT 3/4	42	37	75.5	38
104.12 PNB 26 MP	12	NPT 3/4	42	37	75.5	38
104.12 PUB 2214 MP	12	UNF 7/8-14	42	37	75.5	38

104.15 MP	Body Size	Connection	Ød1	Ød2	L	HEX.
Order No / Bestellnr.	Größe	Anschluss (Ød)				
104.15 SFB 26 MP	15	BSP 3/4	47	43	93	44
104.15 SQB 26 MP	15	BSPT 3/4	47	43	93	44
104.15 SNB 26 MP	15	NPT 3/4	47	43	93	44
104.15 SUB 2712 MP	15	UNF 1-1/16-12	47	43	93	44

104.15 MP	Body Size	Connection	Ød1	Ød2	L	HEX.
Order No / Bestellnr.	Größe	Anschluss (Ød)				
104.15 PFB 26 MP	15	BSP 3/4	47	43	86	44
104.15 PQB 26 MP	15	BSPT 3/4	47	43	86	44
104.15 PNB 26 MP	15	NPT 3/4	47	43	86	44
104.15 PUB 2712 MP	15	UNF 1-1/16-12	47	43	86	44

104.20 MP	Body Size	Connection	Ød1	Ød2	L	HEX.
Order No / Bestellnr.	Größe	Anschluss (Ød)				
104.20 SFB 33 MP	20	BSP 1	62	54	106	55
104.20 SQB 33 MP	20	BSPT 1	62	54	106	55
104.20 SNB 33 MP	20	NPT 1	62	54	106	55
104.20 SUB 3312 MP	20	UNF 1-5/16-12	62	54	106	55

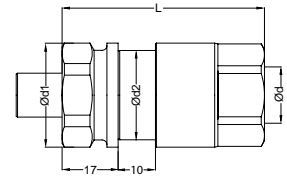
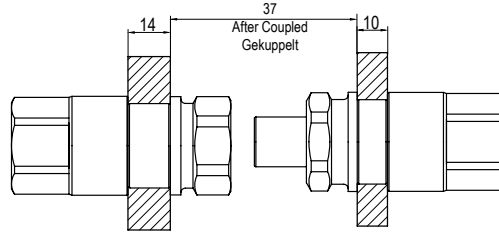
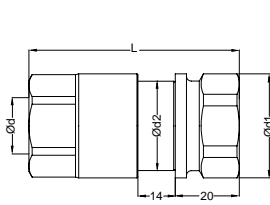
104.20 MP	Body Size	Connection	Ød1	Ød2	L	HEX.
Order No / Bestellnr.	Größe	Anschluss (Ød)				
104.20 PFB 33 MP	20	BSP 1	62	54	99	55
104.20 PQB 33 MP	20	BSPT 1	62	54	99	55
104.20 PNB 33 MP	20	NPT 1	62	54	99	55
104.20 PUB 3312 MP	20	UNF 1-5/16-12	62	54	99	55

104.25 MP	Body Size	Connection	Ød1	Ød2	L	HEX.
Order No / Bestellnr.	Größe	Anschluss (Ød)				
104.25 SFB 42 MP	25	BSP 1-1/4	75	66	112.5	65
104.25 SQB 42 MP	25	BSPT 1-1/4	75	66	112.5	65
104.25 SNB 42 MP	25	NPT 1-1/4	75	66	112.5	65
104.25 SUB 4212 MP	25	UNF 1-5/8-12	75	66	112.5	65

104.25 MP	Body Size	Connection	Ød1	Ød2	L	HEX.
Order No / Bestellnr.	Größe	Anschluss (Ød)				
104.25 PFB 42 MP	25	BSP 1-1/4	75	66	121	65
104.25 PQB 42 MP	25	BSPT 1-1/4	75	66	121	65
104.25 PNB 42 MP	25	NPT 1-1/4	75	66	121	65
104.25 PUB 4212 MP	25	UNF 1-5/8-12	75	66	121	65

rtc TYPE 104

Socket / Kupplung



rtc TYPE 104

Plugs / Nippel



104.04	Body Size	Connection	Ød1	Ød2	L	HEX.
Order No / Bestellnr.	Größe	Anschluss (Ød)				
104.04 SFB 13	04	BSP 1/4	25	21	65	22
104.04 SQB 13	04	BSPT 1/4	25	21	65	22
104.04 SNB 13	04	NPT 1/4	25	21	65	22
104.04 SUB 1120	04	UNF 7/16-20	25	21	65	22

104.04	Body Size	Connection	Ød1	Ød2	L	HEX.
Order No / Bestellnr.	Größe	Anschluss (Ød)				
104.04 PFB 13	04	BSP 1/4	25	21	58	22
104.04 PQB 13	04	BSPT 1/4	25	21	58	22
104.04 PNB 13	04	NPT 1/4	25	21	58	22
104.04 PUB 1120	04	UNF 7/16-20	25	21	58	22

104.06	Body Size	Connection	Ød1	Ød2	L	HEX.
Order No / Bestellnr.	Größe	Anschluss (Ød)				
104.06 SFB 17	06	BSP 3/8	29	25	66.5	26
104.06 SQB 17	06	BSPT 3/8	29	25	66.5	26
104.06 SNB 17	06	NPT 3/8	29	25	66.5	26
104.06 SUB 1418	06	UNF 9/16-18	29	25	66.5	26

104.06	Body Size	Connection	Ød1	Ød2	L	HEX.
Order No / Bestellnr.	Größe	Anschluss (Ød)				
104.06 PFB 17	06	BSP 3/8	29	25	59.5	26
104.06 PQB 17	06	BSPT 3/8	29	25	59.5	26
104.06 PNB 17	06	NPT 3/8	29	25	59.5	26
104.06 PUB 1418	06	UNF 9/16-18	29	25	59.5	26

104.08	Body Size	Connection	Ød1	Ød2	L	HEX.
Order No / Bestellnr.	Größe	Anschluss (Ød)				
104.08 SFB 21	08	BSP 1/2	33	28	71.5	29
104.08 SQB 21	08	BSPT 1/2	33	28	71.5	29
104.08 SNB 21	08	NPT 1/2	33	28	71.5	29
104.08 SUB 1418	08	UNF 9/16-18	33	28	71.5	29

104.08	Body Size	Connection	Ød1	Ød2	L	HEX.
Order No / Bestellnr.	Größe	Anschluss (Ød)				
104.08 PFB 21	08	BSP 1/2	33	28	65.5	29
104.08 PQB 21	08	BSPT 1/2	33	28	65.5	29
104.08 PNB 21	08	NPT 1/2	33	28	65.5	29
104.08 PUB 1418	08	UNF 9/16-18	33	28	65.5	29

104.10	Body Size	Connection	Ød1	Ød2	L	HEX.
Order No / Bestellnr.	Größe	Anschluss (Ød)				
104.10 SFB 21	10	BSP 1/2	33	28	71.5	29
104.10 SQB 21	10	BSPT 1/2	33	28	71.5	29
104.10 SNB 21	10	NPT 1/2	33	28	71.5	29
104.10 SUB 1418	10	UNF 9/16-18	33	28	71.5	29

104.10	Body Size	Connection	Ød1	Ød2	L	HEX.
Order No / Bestellnr.	Größe	Anschluss (Ød)				
104.10 PFB 21	10	BSP 1/2	33	28	65.5	29
104.10 PQB 21	10	BSPT 1/2	33	28	65.5	29
104.10 PNB 21	10	NPT 1/2	33	28	65.5	29
104.10 PUB 1418	10	UNF 9/16-18	33	28	65.5	29

104.12	Body Size	Connection	Ød1	Ød2	L	HEX.
Order No / Bestellnr.	Größe	Anschluss (Ød)				
104.12 SFB 26	12	BSP 3/4	42	37	82.5	38
104.12 SQB 26	12	BSPT 3/4	42	37	82.5	38
104.12 SNB 26	12	NPT 3/4	42	37	82.5	38
104.12 SUB 2214	12	UNF 7/8-14	42	37	82.5	38

104.12	Body Size	Connection	Ød1	Ød2	L	HEX.
Order No / Bestellnr.	Größe	Anschluss (Ød)				
104.12 PFB 26	12	BSP 3/4	42	37	75.5	38
104.12 PQB 26	12	BSPT 3/4	42	37	75.5	38
104.12 PNB 26	12	NPT 3/4	42	37	75.5	38
104.12 PUB 2214	12	UNF 7/8-14	42	37	75.5	38

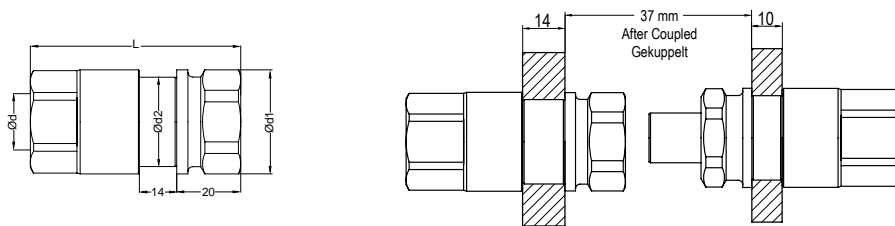
104.15	Body Size	Connection	Ød1	Ød2	L	HEX.
Order No / Bestellnr.	Größe	Anschluss (Ød)				
104.15 SFB 26	15	BSP 3/4	50	43	93	42
104.15 SQB 26	15	BSPT 3/4	50	43	93	42
104.15 SNB 26	15	NPT 3/4	50	43	93	42
104.15 SUB 2712	15	UNF 1-1/16-12	50	43	93	42

104.15	Body Size	Connection	Ød1	Ød2	L	HEX.
Order No / Bestellnr.	Größe	Anschluss (Ød)				
104.15 PFB 26	15	BSP 3/4	50	43	86	42
104.15 PQB 26	15	BSPT 3/4	50	43	86	42
104.15 PNB 26	15	NPT 3/4	50	43	86	42
104.15 PUB 2712	15	UNF 1-1/16-12	50	43	86	42

104.20	Body Size	Connection	Ød1	Ød2	L	HEX.
Order No / Bestellnr.	Größe	Anschluss (Ød)				
104.20 SFB 33	20	BSP 1	62	54	106	55
104.20 SQB 33	20	BSPT 1	62	54	106	55
104.20 SNB 33	20	NPT 1	62	54	106	55
104.20 SUB 3312	20	UNF 1-5/16-12	62	54	106	55

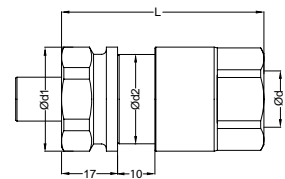
104.20	Body Size	Connection	Ød1	Ød2	L	HEX.
Order No / Bestellnr.	Größe	Anschluss (Ød)				
104.20 PFB 33	20	BSP 1	62	54	99	55
104.20 PQB 33	20	BSPT 1	62	54	99	55
104.20 PNB 33	20	NPT 1	62	54	99	55
104.20 PUB 3312	20	UNF 1-5/16-12	62	54	99	55

rtc TYPE 104 Socket / Kupplung



104.25	Body Size	Connection	Ød1	Ød2	L	HEX.
Order No / Bestellnr.	Größe	Anschluss (Ød)				
104.25 SFB 42	25	BSP 1-1/4	75	66	128	65
104.25 SQB 42	25	BSPT 1-1/4	75	66	128	65
104.25 SNB 42	25	NPT 1-1/4	75	66	128	65
104.25 SUB 4212	25	UNF 1-5/8-12	75	66	128	65

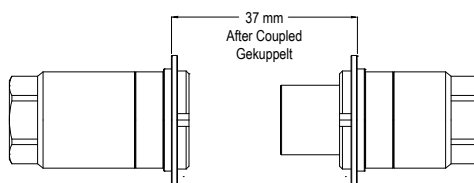
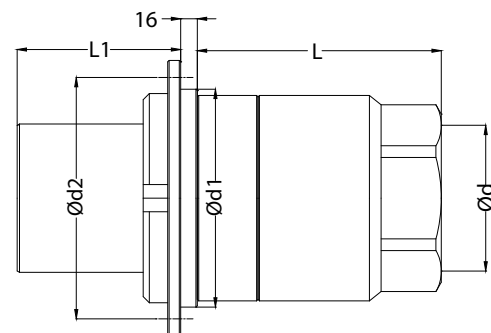
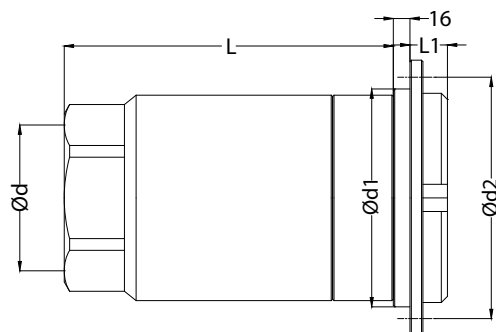
rtc TYPE 104 Plugs / Nippel



104.25	Body Size	Connection	Ød1	Ød2	L	HEX.
Order No / Bestellnr.	Größe	Anschluss (Ød)				
104.25 PFB 42	25	BSP 1-1/4	75	66	121	65
104.25 PQB 42	25	BSPT 1-1/4	75	66	121	65
104.25 PNB 42	25	NPT 1-1/4	75	66	121	65
104.25 PUB 4212	25	UNF 1-5/8-12	75	66	121	65

104.32	Body Size	Connection	Ød1	Ød2	L	HEX.
Order No / Bestellnr.	Größe	Anschluss (Ød)				
104.32 SFB 42	32	BSP 1-1/4	82	76	135.5	75
104.32 SQB 42	32	BSPT 1-1/4	82	76	135.5	75
104.32 SNB 42	32	NPT 1-1/4	82	76	135.5	75
104.32 SUB 4212	32	UNF 1-5/8-12	82	76	135.5	75

104.32	Body Size	Connection	Ød1	Ød2	L	HEX.
Order No / Bestellnr.	Größe	Anschluss (Ød)				
104.32 PFB 42	32	BSP 1-1/4	82	76	113.5	75
104.32 PQB 42	32	BSPT 1-1/4	82	76	113.5	75
104.32 PNB 42	32	NPT 1-1/4	82	76	113.5	75
104.32 PUB 4212	32	UNF 1-5/8-12	82	76	113.5	75



104.37	Body Size	Connection	Ød1	Ød2	L	L1	HEX.
Order No / Bestellnr.	Größe	Anschluss (Ød)					
104.37 SFB 48	37	BSP 1-1/2	96	108	151	20	75
104.37 SNB 48	37	NPT 1-1/2	96	108	151	20	75

104.37	Body Size	Connection	Ød1	Ød2	L	L1	HEX.
Order No / Bestellnr.	Größe	Anschluss (Ød)					
104.37 PFB 48	37	BSP 1-1/2	96	108	147	72	75
104.37 PNB 48	37	NPT 1-1/2	96	108	147	72	75

104.50	Body Size	Connection	Ød1	Ød2	L	L1	HEX.
Order No / Bestellnr.	Größe	Anschluss (Ød)					
104.50 SFB 60	50	BSP 2	124	136	174	20	90
104.50 SNB 60	50	NPT 2	124	136	174	20	90

104.50	Body Size	Connection	Ød1	Ød2	L	L1	HEX.
Order No / Bestellnr.	Größe	Anschluss (Ød)					
104.50 PFB 60	50	BSP 2	124	136	170	86	90
104.50 PNB 60	50	NPT 2	124	136	170	86	90

104.75	Body Size	Connection	Ød1	Ød2	L	L1	HEX.
Order No / Bestellnr.	Größe	Anschluss (Ød)					
104.75 SFB 88	75	BSP 3	171	183	232	20	120
104.75 SNB 88	75	NPT 3	171	183	232	20	120

104.75	Body Size	Connection	Ød1	Ød2	L	L1	HEX.
Order No / Bestellnr.	Größe	Anschluss (Ød)					
104.75 PFB 88	75	BSP 3	171	183	228	121	120
104.75 PNB 88	75	NPT 3	171	183	228	121	120



rtc[®]

COUPLING TECHNOLOGY



105

rtc TYPE



105 Type Couplings are leak tight on connection and disconnection



Temperature Range - Temperaturbereich

Nitrile (N)	-20°C + 100°C (-4°F + 212°F)
FPM (V)	-20°C + 180°C (-4°F + 356°F)
EPDM (E)	-40°C + 150°C (-40°F + 302°F)
FFKM (W)	0°C +270°C (+23°F +518°F)

Max. Working Pressure - Max. Betriebsdruck

rtc 105.09	16 bar (232 PSI)
rtc 105.12	16 bar (232 PSI)
rtc 105.16	16 bar (232 PSI)
rtc 105.20	16 bar (232 PSI)
rtc 105.25	16 bar (232 PSI)

Flow size - Nennweiten

rtc 105.09	9 mm
rtc 105.12	12 mm
rtc 105.16	16 mm
rtc 105.20	20 mm
rtc 105.25	25 mm

Material

Socket Body- Kupplungsgrundkörper	Brass - Messing
Sleeve - Hülse	AISI 420 Chromium plated
Valve - Ventil	Brass - Messing
Springs - Federn	Stainless Steel - Edelstahl
Seals - Dichtungen	FPM (V)
Plug - Nippel	105.09 / 105.12 Brass - Messing 105.16 / 105.20 / 105.25 Stainless Steel - Edelstahl Messing

Standard version - Standardversion

Brass - Messing
FPM (V)

Options - Optionen

Stainless Steel - Edelstahl
EPDM Seal - EPDM Dichtung
FFKM Seal - FFKM Dichtung
Colour coding - Farbkodierung

Colour Ring

For color coding add **R** (red) or **B** (blue) on the end of the order number

Farbring

Für die Farbkodierung fügen Sie **R** (Rot) oder **B** (Blau) am Ende der Bestellnummer hinzu

Using Area

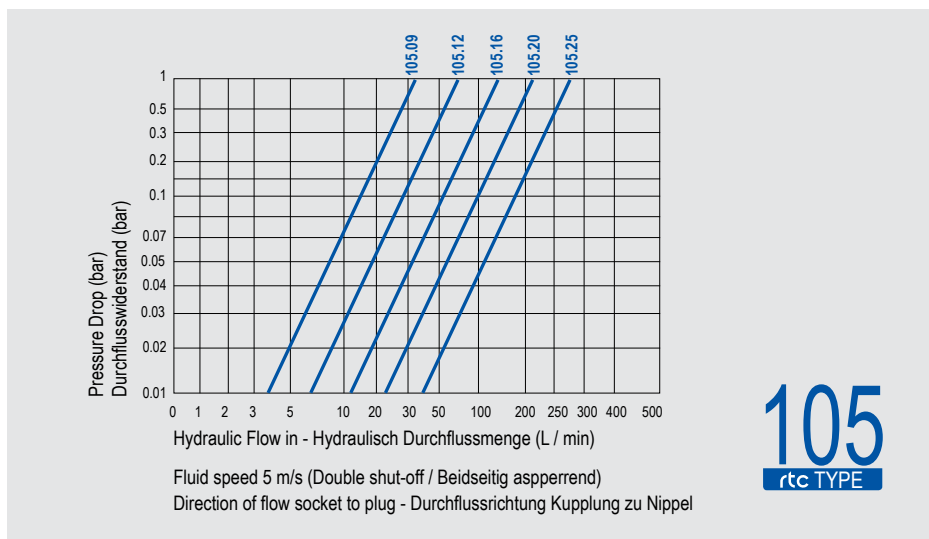
- On temperature regulation applications with hot or cold water, oil etc
- Injection moulding industries
- On steam line

Anwendungsbereiche

- Werkzeugtemperierung
- Kühlung mit Öl oder Wasser
- Kunststoffindustrie
- Dampfanwendungen



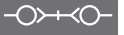
Flow Rate vs Pressure Drop Graph / Durchflussrate vs Druckabfall



105
rtc TYPE

rtc TYPE 105

Female thread socket with valve / Verschlusskupplung mit Innengewinde



Socket / Kupplung

Size
Größe

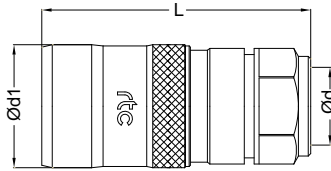
Order No / Bestellnr.

Ød

Ød1

L

HEX.



09

105.09 SFB 17
105.09 SNB 17

BSP 3/8
NPT 3/8

25
25

67
67

23
23

12

105.12 SFB 21
105.12 SNB 21

BSP 1/2
NPT 1/2

31
31

82
82

30
30

16

105.16 SFB 26
105.16 SNB 26

BSP 3/4
NPT 3/4

38
38

99
100

36
36

20

105.20 SFB 26
105.20 SFB 33
105.20 SNB 33

BSP 3/4
BSP 1
NPT 1

50
50
50

117
119
119

41
41
41

25

105.25 SFB 33
105.25 SFB 42
105.25 SNB 42

BSP 1
BSP 1-1/4
NPT 1-1/4

58
58
58

138
138
138

50
50
50

rtc TYPE 105

Male thread socket with 60° sealing cone / Kupplung mit Aussengewinde 60° Dichtkonus



Socket / Kupplung

Size
Größe

Order No / Bestellnr.

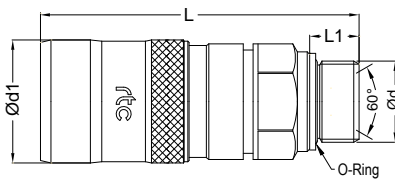
Ød

Ød1

L

L1

HEX.



09

105.09 SOB 17

BSP 3/8

25

66

12

23

12

105.12 SOB 21

BSP 1/2

31

80

14

30

16

105.16 SOB 26

BSP 3/4

38

100

16

36

20

105.20 SOB 33

BSP 1

50

129

20

42

25

105.25 SOB 42

BSP 1-1/4

55

139

21

50

rtc TYPE 105

Male thread socket with 24° sealing cone / Kupplung mit Aussengewinde 24° Dichtkonus



Socket / Kupplung

Size
Größe

Order No / Bestellnr.

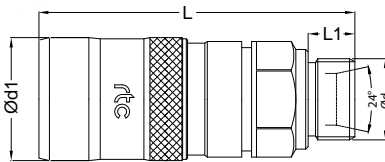
Ød

Ød1

L

L1

HEX.



09

105.09 SMB 1815-12

M18x1.5-Ø12

25

65

11

23

12

105.12 SMB 2615-18

M26x1.5-Ø18

31

74

12

30

16

105.16 SMB 3020-22

M30x2.0-Ø22

38

98

14

36

20

105.20 SMB 3620-28

M36x2.0-Ø28

50

123

14

42

25

105.25 SMB 4520-35

M45x2.0-Ø35

55

134

16

50

Male threaded sockets for hydraulic pipes with
24° taper according to ISO 8434-1 (type:L)
Kupplung mit Aussengewinde mit 24° Dichtkonus (typ:L)



Female thread plug with valve / Verschlussnippel mit Innengewinde

TYPE 105 **rtc**

Plug / Nippel	Size / Größe	Order No / Bestellnr.	Ød	L	HEX.
	09	105.09 PFB 17	BSP 3/8	62	23
		105.09 PNB 17	NPT 3/8	62	23
	12	105.12 PFB 21	BSP 1/2	78	30
		105.12 PNB 21	NPT 1/2	78	30
	16	105.16 PFB 26	BSP 3/4	99	36
		105.16 PNB 26	NPT 3/4	99	36



Female thread plug with valve / Verschlussnippel mit Innengewinde

TYPE 105 **rtc**

Plug / Nippel	Size / Größe	Order No / Bestellnr.	Ød	L	HEX.
	20	105.20 PFB 26	BSP 3/4	127	42
		105.20 PFB 33	BSP 1	127	42
		105.20 PNB 33	NPT 1	127	42
	25	105.25 PFB 33	BSP 1	149	50
		105.25 PFB 42	BSP 1-1/4	149	50
		105.25 PNB 42	NPT 1-1/4	149	50



Male thread plug with 60° sealing cone / Nippel mit Aussengewinde 60° Dichtkonus

TYPE 105 **rtc**

Plug / Nippel	Size / Größe	Order No / Bestellnr.	Ød	L	L1	HEX.
	09	105.09 POB 17	BSP 3/8	59	12	23
	12	105.12 POB 21	BSP 1/2	75	14	30
	16	105.16 POB 26	BSP 3/4	99	16	36
	20	105.20 POB 33	BSP 1	139	20	42
	25	105.25 POB 42	BSP 1-1/4	152	21	50



Male thread plug with 24° sealing cone / Nippel mit Aussengewinde 24° Dichtkonus

TYPE 105 **rtc**

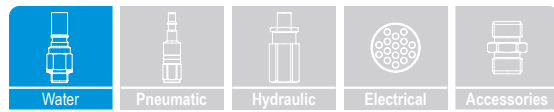
Plug / Nippel	Size / Größe	Order No / Bestellnr.	Ød	L	L1	HEX.
	09	105.09 PMB 1815-12	M18x1.5 - Ø12	59	11	23
	12	105.12 PMB 2615-18	M26x1.5 - Ø18	72	12	30
	16	105.16 PMB 3020-22	M30x2.0 - Ø22	95	14	36
	20	105.20 PMB 3620-28	M36x2.0 - Ø28	133	14	42
	25	105.25 PMB 4520-35	M45x2.0 - Ø35	148	16	50

Male threaded plugs for hydraulic pipes with 24° taper according to ISO 8434-1 (type: L)
Nippel mit Aussengewinde mit 24° Dichtkonus (typ:L)



rtc[®]

COUPLING TECHNOLOGY



106

rtc TYPE

NEW DESIGN!
SINGLE & DOUBLE Shut-Off!



Temperature Range - Temperaturbereich

Nitrile (N)	-20°C + 100°C (-4°F + 212°F)
FPM (V)	-20°C + 180°C (-4°F + 356°F)

Working Pressure - Betriebsdruck

rtc 106.25	10 bar (145 PSI)
rtc 106.33	10 bar (145 PSI)
rtc 106.42	10 bar (145 PSI)
rtc 106.50	10 bar (145 PSI)
rtc 106.63	10 bar (145 PSI)
rtc 106.110	10 bar (145 PSI)

Flow size - Nennweiten

rtc 106.25	25 mm
rtc 106.33	33 mm
rtc 106.42	42 mm
rtc 106.50	50 mm
rtc 106.63	63 mm
rtc 106.110	110 mm

Material

Socket Body - Kupplungsgrundkörper	Brass chrome plated - Messing verchromt
Sleeve - Hülse	Brass chrome plated - Messing verchromt
Springs - Federn	Stainless Steel - Edelstahl
Locking Ring - Sprengring	Stainless Steel - Edelstahl
Balls - Kugeln	Stainless Steel - Edelstahl
Seals - Dichtungen	Nitrile
Plug - Nippel	AISI 420 hardened - AISI 420 gehärtet

Standard version - Standardversion

Brass - Messing
NBR (N)

Options - Optionen

Stainless Steel - Edelstahl

Using Area

- On temperature regulation applications with hot or cold water, oil etc.
- Injection moulding industries.
- On steam line
- Suction coupling for material conveying (Plastic Granule Carrier Coupling)
- Full flow passage

Anwendungsbereiche

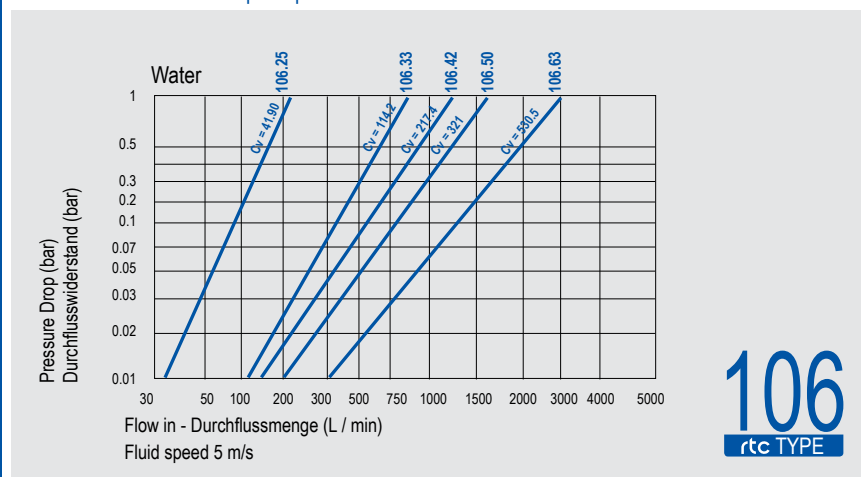
- Zuleitung für die Temperierung / Druckluft
- Kühlung mit Öl oder Wasser
- Kunststoffindustrie
- Dampfanwendungen
- Kupplung für Materialbeförderung (Kunststoffgranulat)
- Voller Durchgang

Material of 106.110

Socket Body - Kupplungsgrundkörper	Aluminium
Sleeve - Hülse	Aluminium
Plug - Nippel	Aluminium



Flow Rate vs Pressure Drop Graph / Durchflussrate vs Druckabfall



rtc TYPE 106

Cylindrical female thread socket / Kupplung mit Innengewinde zylindrisch



Socket / Kupplung

Size / Größe

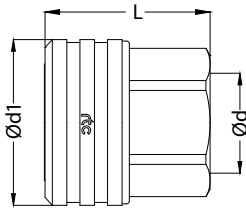
Order No / Bestellnr.

Ød

Ød1

L

HEX.



25	106.25 SFF 33	BSP 1	54	57	41
33	106.33 SFF 42	BSP 1-1/4	65	62	50
42	106.42 SFF 48	BSP 1-1/2	78	66	60
50	106.50 SFF 60	BSP 2	89	70	70
63	106.63 SFF 75	BSP 2-1/2	109	84	90
110	106.110 SFF 113	BSP 4	180	175	-

rtc TYPE 106

Cylindrical female thread socket with valve / Verschlusskupplung mit Innengewinde zylindrisch



Socket / Kupplung

Size / Größe

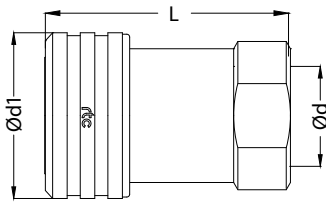
Order No / Bestellnr.

Ød

Ød1

L

HEX.



Double Shut-off

25	106.25 SFB 33	BSP 1	57	87	41
33	106.33 SFB 42	BSP 1-1/4	65	103	60

rtc TYPE 106

Cylindrical male thread socket / Kupplung mit Außengewinde zylindrisch



Socket / Kupplung

Size / Größe

Order No / Bestellnr.

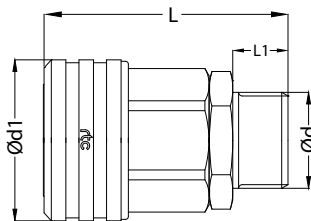
Ød

Ød1

L

L1

HEX.



25	106.25 SMF 33	BSP 1	54	84	19	41
33	106.33 SMF 42	BSP 1-1/4	65	91	19	50
42	106.42 SMF 48	BSP 1-1/2	78	98	20	60
50	106.50 SMF 60	BSP 2	89	110	25	70
63	106.63 SMF 75	BSP 2-1/2	109	131	27	90

rtc TYPE 106

Standard hose tail socket / Kupplung mit gerader Standard - Schlauchtülle



Socket / Kupplung

Size / Größe

Order No / Bestellnr.

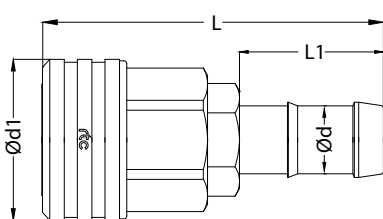
Ød

Ød1

L

L1

HEX.



25	106.25 SHF 25-HT8	25 mm	54	117	50	41
25	106.25 SHF 32-HT8	32 mm	54	117	50	41
33	106.33 SHF 32-HT8	32 mm	65	122	50	50
33	106.33 SHF 38-HT8	38 mm	65	122	50	50
42	106.42 SHF 44-HT8	44 mm	78	126	50	60
50	106.50 SHF 50-HT8	50 mm	89	149	50	70
63	106.63 SHF 63-HT8	63 mm	109	179	75	90

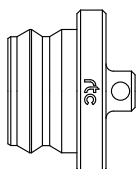
rtc TYPE 106

Dust cup for socket / Staubkappe für Kupplung

Dust cup / Staubkappe

Size / Größe

Order No / Bestellnr.



25	106.25 SD 00
33	106.33 SD 00
42	106.42 SD 00
50	106.50 SD 00
63	106.63 SD 00
110	106.110 SD 00



Cylindrical female thread plug / Nippel mit Innengewinde zylindrisch

TYPE 106 **rtc**

Plug / Nippel	Size / Größe	Order No / Bestellnr.	Ød	Ød1	L	HEX.
	25	106.25 PFF 33	BSP 1	45	61	41
	33	106.33 PFF 42	BSP 1-1/4	55	66	50
	42	106.42 PFF 48	BSP 1-1/2	65	74	60
	50	106.50 PFF 60	BSP 2	75	78	71
	63	106.63 PFF 75	BSP 2-1/2	90	83	84
	110	106.110 PFF 113	BSP 4	150	155	-



Cylindrical female thread plug with valve/ Verschlussnippel mit Innengewinde zylindrisch

TYPE 106 **rtc**

Plug / Nippel	Size / Größe	Order No / Bestellnr.	Ød	Ød1	L	HEX.
	25	106.25 PFB 33	BSP 1	45	88	41
	33	106.33 PFB 42	BSP 1-1/4	64	105	55

Double Shut-off



Cylindrical male thread plug / Nippel mit Ausengewinde zylindrisch

TYPE 106 **rtc**

Plug / Nippel	Size / Größe	Order No / Bestellnr.	Ød	Ød1	L	L1	HEX.
	25	106.25 PMF 33	BSP 1	45	88	19	41
	33	106.33 PMF 42	BSP 1-1/4	55	95	19	50
	42	106.42 PMF 48	BSP 1-1/2	65	106	20	60
	50	106.50 PMF 60	BSP 2	75	118	25	71
	63	106.63 PMF 75	BSP 2-1/2	90	130	27	84



Standard hose tail plug / Nippel mit gerader Standard - Schlauchtülle

TYPE 106 **rtc**

Plug / Nippel	Size / Größe	Order No / Bestellnr.	Ød	Ød1	L	L1	HEX.
	25	106.25 PHF 25-HT8	25 mm	45	122	50	41
	25	106.25 PHF 32-HT8	32 mm	45	122	50	41
	33	106.33 PHF 32-HT8	32 mm	55	127	50	50
	33	106.33 PHF 38-HT8	38 mm	55	127	50	50
	42	106.42 PHF 44-HT8	44 mm	65	131	50	60
	50	106.50 PHF 52-HT8	52 mm	75	149	50	71
	63	106.63 PHF 63-HT8	63 mm	90	178	75	84





rtc[®]

COUPLING TECHNOLOGY



108

rtc TYPE

One hand Connection
Push-pull Disconnection

Ein-Hand Kuppeln
Push-Pull Lösen



Temperature Range - Temperaturbereich

Nitrile (N) -20°C + 100°C (-4°F + 212°F)
FPM (V) -20°C + 180°C (-4°F + 356°F)

Max. Working Pressure - Max. Betriebsdruck

rtc 108.03 250 bar (2610 PSI)
rtc 108.06 180 bar (2610 PSI)
rtc 108.07 180 bar (2610 PSI)
rtc 108.09 180 bar (2610 PSI)
rtc 108.12 180 bar (2610 PSI)
rtc 108.16 180 bar (2610 PSI)

Flow size - Nennweiten

rtc 108.03 3 mm
rtc 108.06 6 mm
rtc 108.07 7 mm
rtc 108.09 9 mm
rtc 108.12 12 mm
rtc 108.16 16 mm

Material

Socket Body- Kupplungsgrundkörper	Stainless Steel - Edelstahl
Sleeve - Hülse	Stainless Steel - Edelstahl
Valve - Ventil	Stainless Steel - Edelstahl
Locking Ring - Sprengring	Stainless Steel - Edelstahl
Balls - Kugeln	Stainless Steel - Edelstahl
Seals - Dichtungen	FPM (V)
Plug - Nippel	Stainless Steel - Edelstahl
Back part Nippel - Nippel Hinterteil	Stainless Steel - Edelstahl

Standard version - Standardversion

FPM (V)
One hand Connection Push-pull Disconnection
Ein-Hand Kuppeln Push-Pull Lösen

Options - Optionen

E EPDM Seal - EPDM Dichtung
W FFKM Seal - FFKM Dichtung
RED Colour coding - Farbkodierung
BLUE

Using Area

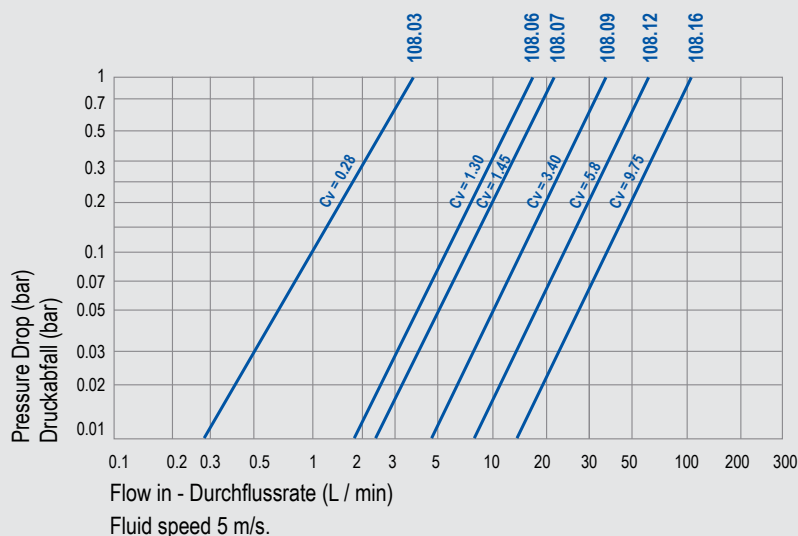
- On temperature regulation applications with hot or cold water, oil etc.
- Blow moulding industry
- Injection moulding industries.
- On steam line.

Anwendungsbereiche

- Zuleitung für die Temperierung / Druckluft
- Blasformmaschinen Industrie
- Kühlung mit Öl oder Wasser
- Kunststoffindustrie



Flow Rate vs Pressure Drop Graph / Durchflussrate vs Druckabfall

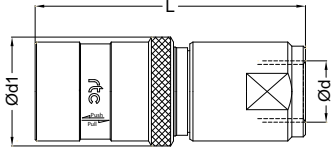


108
rtc TYPE

rtc TYPE 108

Female thread socket / Kupplung mit Innengewinde

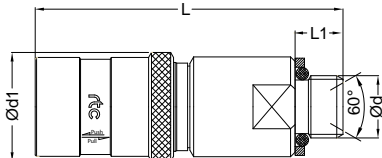


Socket / Kupplung	Size Größe	Order No / Bestellnr.	Ød	Ød1	L	HEX.
	03	108.03 SFB 10	BSP 1/8	17	49	13
		108.06 SFB 13	BSP 1/4	24	61	20
	06	108.06 SFB 17	BSP 3/8	24	65	21
		108.06 SNB 13	NPT 1/4	24	61	20
	07	108.07 SFB 13	BSP 1/4	24	61	20
		108.07 SFB 17	BSP 3/8	24	65	21
		108.07 SNB 13	NPT 1/4	24	61	20
	09	108.09 SFB 17	BSP 3/8	31.5	75.5	24
		108.09 SNB 17	NPT 3/8	31.5	75.5	24
	12	108.12 SFB 21	BSP 1/2	41	103	27
		108.12 SNB 21	NPT 1/2	41	103	27
	16	108.16 SFB 26	BSP 3/4	53.5	130	36

rtc TYPE 108

Male thread socket / Kupplung mit Aussengewinde

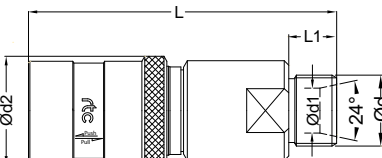


Socket / Kupplung	Size Größe	Order No / Bestellnr.	Ød	Ød1	L	L1	HEX.
	03	108.03 SOB 10	BSP 1/8	17	49	8	14
	06	108.06 SOB 13	BSP 1/4	24	59	10	20
	07	108.07 SOB 13	BSP 1/4	24	59	10	20
	09	108.09 SOB 17	BSP 3/8	32	82	12	24
	12	108.12 SOB 21	BSP 1/2	41	109	14	27
	16	108.16 SOB 26	BSP 3/4	54	137	20	41

rtc TYPE 108

Male thread socket / Kupplung mit Aussengewinde

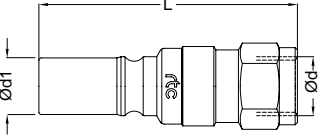


Socket / Kupplung	Size Größe	Order No / Bestellnr.	Ød	Ød1	Ød2	L	L1	HEX.
 <p>Male threaded socket for hydraulic pipes with 24° taper according to ISO 8434-1 (type: S) Kupplung mit Aussengewinde mit 24° Dichtkegel (typ: S)</p>	06	108.06 SMB 1415-08	M 14x1.5	8	24	61	10	20
	06	108.06 SMB 1615-10	M 16x1.5	10	24	60	11	20
	07	108.07 SMB 1415-08	M 14x1.5	8	24	61	10	20
	07	108.07 SMB 1615-10	M 16x1.5	10	24	60	11	20
	09	108.09 SMB 1815-12	M 18x1.5	12	36	79	11	24
	12	108.12 SMB 2215-15	M 22x1.5	15	44	108	12	27
	16	108.16 SMB 3020-22	M 30x2.0	22	53.5	137	14	41

rtc TYPE 108

Female thread plug / Nippel mit Innengewinde



Socket / Kupplung	Size Größe	Order No / Bestellnr.	Ød	Ød1	L	HEX.
	03	108.03 PFB 10	BSP 1/8	6	40	13
		108.03 PNB 10	BSP 1/8	6	38	13
	06	108.06 PFB 13	BSP 1/4	12.5	59	17
		108.06 PFB 17	BSP 3/8	12.5	61	21
		108.06 PNB 13	NPT 1/4	12.5	58	17
	07	108.07 PFB 13	BSP 1/4	13	61	20
		108.07 PFB 17	BSP 3/8	13	65	21
		108.07 PNB 13	NPT 1/4	13	61	20
	09	108.09 PFB 17	BSP 3/8	17	71	23
		108.09 PNB 17	NPT 3/8	17	70	23
	12	108.12 PFB 21	BSP 1/2	23.5	90	30
		108.12 PNB 21	NPT 1/2	23.5	90	30
16	108.16 PFB 26	BSP 3/4	30	105	38	



Male thread plug / Nippel mit Aussengewinde

TYPE 108 **rtc**

Plug / Nippel	Size Größe	Order No / Bestellnr.	Ød	L	L1	HEX.
	03	108.03 POB 10	BSP 1/8	39.5	8	13
	06	108.06 POB 13	BSP 1/4	54	10	17
	07	108.07 POB 13	BSP 1/4	54	10	17
	09	108.09 POB 17	BSP 3/8	67	11	23
	12	108.12 POB 21	BSP 1/2	85	14	30
	16	108.16 POB 26	BSP 3/4	101	17	38
	16	108.16 POB 33	BSP 1	106	20	41



Panel Mounting Male Threaded Plug / Nippel mit Aussengewinde Schott

TYPE 108 **rtc**

Plug / Nippel	Size Größe	Order No / Bestellnr.	Ød	Ød1	L	L1	L2	HEX.1	HEX.2
	03	108.03 PMBP 10	BSP 1/8	12.5	46	8	4.5	13	15
	06	108.06 PMBP 13	BSP 1/4	16.5	61	11	4	17	21
	07	108.07 PMBP 13	BSP 1/4	16.5	61	11	4	17	21
	09	108.09 PMBP 17	BSP 3/8	22.5	72	12	4	23	27
	12	108.12 PMBP 21	BSP 1/2	28.5	96	14	6	30	34
	16	108.16 PMBP 26	BSP 3/4	36.5	112	16	5	38	46



Male thread plug / Nippel mit Aussengewinde

TYPE 108 **rtc**

Plug / Nippel	Size Größe	Order No / Bestellnr.	Ød	L	L1	HEX.
	03	108.03 PMB 1215-06	M 12x1.5-Ø6	40	10	13
	06	108.06 PMB 1415-08	M 14x1.5-Ø8	52	10	17
	06	108.06 PMB 1615-10	M 16x1.5-Ø10	53	11	17
	07	108.07 PMB 1415-08	M 14x1.5-Ø8	52	10	17
	07	108.07 PMB 1615-10	M 16x1.5-Ø10	53	11	17
	09	108.09 PMB 1815-12	M 18x1.5-Ø12	65	11	23
	12	108.12 PMB 2215-15	M 22x1.5-Ø15	81	12	30
	16	108.16 PMB 3020-22	M 30x2.0-Ø22	98	14	38

Male threaded plug for hydraulic pipes with 24° taper according to ISO 8434-1 (type: S)
Nippel mit Aussengewinde mit 24° Dichtkonus (typ:S)



BSPT male thread plug / Nippel mit Aussengewinde BSPT

TYPE 108 **rtc**

Plug / Nippel	Size Größe	Order No / Bestellnr.	Ød	L	L1	HEX.
	09	108.09 PRB 17	BSPT 3/8	69	11	23
	12	108.12 PRB 21	BSPT 1/2	89	15	30
	16	108.16 PRB 26	BSPT 3/4	103	19	38



rtc[®]

COUPLING TECHNOLOGY



110

rtc TYPE



Temperature Range - Temperaturbereich

Nitrile (N)	-25°C + 80°C (- 13°F + 176°F)
FPM (V)	-20°C + 150°C (- 4°F + 302°F)
FVMQ (FSN)	-62°C + 230°C (- 80°F + 450°F)

Max. Working Pressure - Max. Betriebsdruck

rtc 110.05	180 bar (2610 PSI)
rtc 110.07	180 bar (2610 PSI)
rtc 110.10	180 bar (2610 PSI)
rtc 110.13	180 bar (2610 PSI)

Flow size - Nennweiten

rtc 110.05	5 mm
rtc 110.07	7 mm
rtc 110.10	10 mm
rtc 110.13	13 mm

Material

Socket Body - Kupplungsgrundkörper	Stainless Steel - Edelstahl
Sleeve - Hülse	Stainless Steel - Edelstahl
Valve - Ventil	Stainless Steel - Edelstahl

Locking Ring - Sprengring	Stainless Steel - Edelstahl
Balls - Kugeln	Stainless Steel - Edelstahl
Seals - Dichtungen	Nitrile (N)

Plug - Nippel	Stainless Steel - Edelstahl
Back part Nippel - Nippel Hinterteil	Stainless Steel - Edelstahl

Standard version - Standardversion

NBR (N)

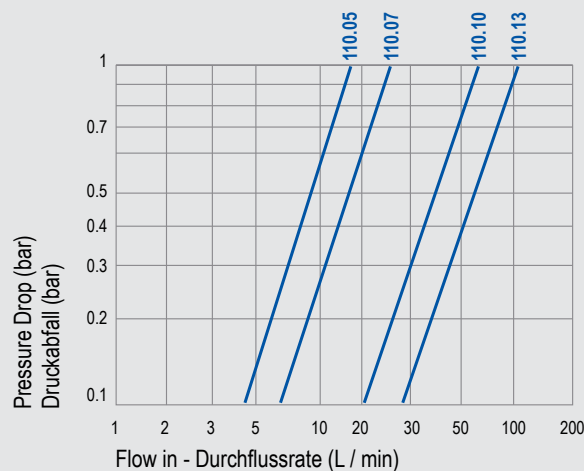
- Non-Spill flat face socket and plug
- Better and stronger guiding during connection
- Protection cap to avoid dirt and dust damage the plug and socket

Using Area

- Hydraulic brake circuit
- Hydraulic tilting circuit
- Brake calibrating system
- Pressure accumulators



Flow Rate vs Pressure Drop Graph / Durchflussrate vs Druckabfall



110
rtc TYPE

rtc TYPE 110

Cylindrical female thread socket / Kupplung mit Innengewinde zylindrisch



Socket / Kupplung

Size / Größe

Order No / Bestellnr.

Ød

Ød1

L

HEX.

05

110.05 SFB 10

BSP 1/8

29

53

22

07

110.07 SFB 13

BSP 1/4

34

65.5

24

110.07 SFB 17

BSP 3/8

34

65.5

24

10

110.10 SFB 17

BSP 3/8

38

77

30

110.10 SFB 21

BSP 1/2

38

77

30

13

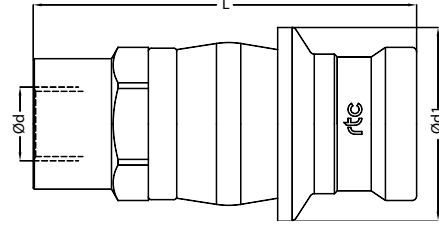
110.13 SFB 21

BSP 1/2

55

97

41



rtc TYPE 110

Cylindrical male thread socket with 60° Inner cone / Kupplung mit Aussengewinde zylindrisch mit 60° Innenkonus



Socket / Kupplung

Size / Größe

Order No / Bestellnr.

Ød

Ød1

L

L1

HEX.

05

110.05 SMB 10

BSP 1/8

29

50

8

22

110.05 SMB 13

BSP 1/4

29

53

11

22

07

110.07 SMB 13

BSP 1/4

34

66

11

24

110.07 SMB 17

BSP 3/8

34

67

12

24

10

110.10 SMB 17

BSP 3/8

38

77

12

30

110.10 SMB 21

BSP 1/2

38

79

14

30

13

110.13 SMB 21

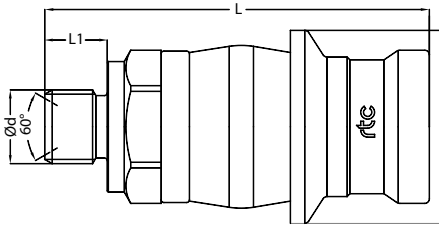
BSP 1/2

55

94.5

14

41



rtc TYPE 110

Male thread socket 24° Hydraulic pipe connection / Kupplung mit Aussengewinde 24° Hydraulik pipe Anschluss



Socket / Kupplung

Size / Größe

Order No / Bestellnr.

Ød

Ød1

Ød2

L

L1

HEX.

05

110.05 SMB 1215-06

M12x1.5

6

29

52

10

22

110.05 SMB 1415-08

M14x1.5

8

29

52

10

22

07

110.07 SMB 1415-08

M14x1.5

8

34

65

10

24

110.07 SMB 1615-10

M16x1.5

10

34

66

11

24

110.07 SMB 1815-12

M18x1.5

12

34

66

11

24

10

110.10 SMB 1815-12

M18x1.5

12

38

76

11

30

110.10 SMB 2215-15

M22x1.5

15

38

77

12

30

110.10 SMB 2415-16

M24x1.5

16

38

78

13

30

13

110.13 SMB 2215-15

M22x1.5

12

55

92

12

41

110.13 SMB 2415-16

M24x1.5

15

55

93

13

41

110.13 SMB 2615-18

M26x1.5

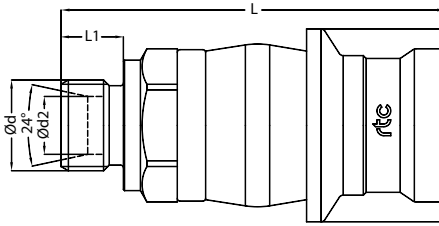
16

55

93

13

41



Male threaded socket for hydraulic pipes with 24° taper according to ISO 8434-1 (type: S)
Kupplung mit Aussengewinde mit 24° Dichtkonus (typ: S)

rtc TYPE 110

UNF (JIC) male thread socket with 37° sealing cone / Kupplung mit UNF (JIC) Aussengewinde 37° Dichtkonus



Socket / Kupplung

Size / Größe

Order No / Bestellnr.

Ød

Ød1

L

L1

HEX.

05

110.05 SJB 1120

UNF 7/16-20

29

56

14

22

110.05 SJB 1320

UNF 1/2-20

29

56

14

22

07

110.07 SJB 1418

UNF 9/16-18

34

69

14

24

13

110.10 SJB 1916

UNF 3/4-16

38

82

17

30

13

110.13 SJB 2214

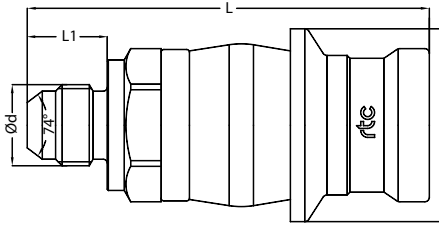
UNF 7/8-14

55

99

19

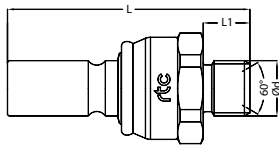
41





Cylindrical male thread plug with 60° Inner cone / Nippel mit Aussengewinde zylindrisch mit 60° Innenkonus

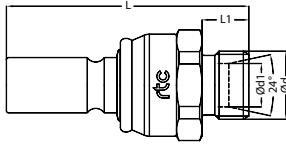
TYPE 110 

Plug / Nippel	Size Größe	Order No / Bestellnr.	Ød	L	L1	HEX.
	05	110.05 PMB 10	BSP 1/8	49	8	22
		110.05 PMB 13	BSP 1/4	52	11	22
	07	110.07 PMB 13	BSP 1/4	57	11	24
		110.07 PMB 17	BSP 3/8	58	12	24
	10	110.10 PMB 17	BSP 3/8	65	12	27
		110.10 PMB 21	BSP 1/2	67	14	27
	13	110.13 PMB 21	BSP 1/2	69	14	38



Male thread plug 24° Hydraulic pipe connection / Nippel mit Aussengewinde 24° Hydraulik pipe Anschluss

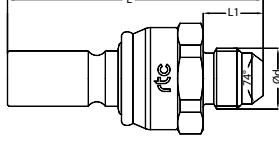
TYPE 110 

Plug / Nippel	Size Größe	Order No / Bestellnr.	Ød	Ød1	L	L1	HEX.
 <p>Male threaded socket for hydraulic pipes with 24° taper according to ISO 8434-1 (type: S) Kupplung mit Aussengewinde mit 24° Dichtkonus (typ:S)</p>	05	110.05 PMB 1215-06	M12x1.5	6 mm	51	10	22
		110.05 PMB 1415-08	M14x1.5	8 mm	51	10	22
	07	110.07 PMB 1415-08	M14x1.5	8 mm	56	10	24
		110.07 PMB 1615-10	M16x1.5	10 mm	57	11	24
		110.07 PMB 1815-12	M18x1.5	12 mm	57	11	24
	10	110.10 PMB 1815-12	M18x1.5	12 mm	64	11	27
		110.10 PMB 2215-15	M22x1.5	15 mm	65	12	27
		110.10 PMB 2415-16	M24x1.5	16 mm	66	13	27
	13	110.13 PMB 2215-15	M22x1.5	15 mm	67	12	38
		110.13 PMB 2415-16	M24x1.5	16 mm	68	13	38
		110.13 PMB 2615-18	M26x1.5	18 mm	68	13	38



UNF (JIC) male thread plug with 37° sealing cone / Nippel mit UNF (JIC) Aussengewinde 37° Dichtkonus

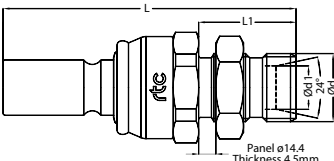
TYPE 110 

Plug / Nippel	Size Größe	Order No / Bestellnr.	Ød	L	L1	HEX.
	05	110.05 PJB 1120	UNF 7/16-20	56	14	22
		110.05 PJB 1320	UNF 1/2-20	56	14	22
	07	110.07 PJB 1418	UNF 9/16-18	60	14	24
	10	110.10 PJB 1916	UNF 3/4-16	70	17	27
	13	110.13 PJB 2214	UNF 7/8-14	74	19	38



Panel type male thread plug 24° Hydraulic pipe connection / Panel Typ. Nippel mit Aussengewinde 24° Hydraulik pipe Anschluss

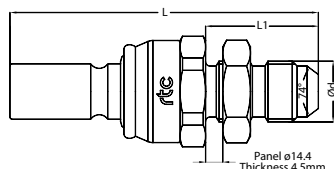
TYPE 110 

Plug / Nippel	Size Größe	Order No / Bestellnr.	Ød	Ød1	L	L1	HEX.
 <p>Panel ø14.4 Thickness 4.5mm.</p>	05	110.05 PMBP 1215-06	M12x1.5	6 mm	62	21	22
	07	110.07 PMBP 1615-10	M16x1.5	10 mm	69.5	23.5	24
	10	110.10 PMBP 2215-15	M22x1.5	15 mm	80.5	27.5	27
	13	110.13 PMBP 2415-16	M24x1.5	16 mm	84.5	29.5	38



Panel type UNF (JIC) male thread plug with 37° sealing cone / Panel Typ. Nippel mit UNF (JIC) Aussengewinde 37° Dichtkonus

TYPE 110 

Plug / Nippel	Size Größe	Order No / Bestellnr.	Ød	L	L1	HEX.
 <p>Panel ø14.4 Thickness 4.5mm.</p>	05	110.05 PJBP 1320	UNF 1/2-20	67	25	22
	07	110.07 PJBP 1418	UNF 9/16-18	72.5	26.5	24
	10	110.10 PJBP 1916	UNF 3/4-16	82.5	29.5	27
	13	110.13 PJBP 2214	UNF 7/8-14	87	32	38



rtc[®]

COUPLING TECHNOLOGY



115

rtc TYPE



Temperature Range - Temperaturbereich

-20°C +100°C (-4°F +212°F) Nitril (N)
-10°C +180°C (+14°F +356°F) FPM (V)

Max. Working Pressure - Max. Betriebsdruck

rtc 115.03 450 bar (6525 PSI)
rtc 115.05 300 bar (4350 PSI)
rtc 115.08 250 bar (3625 PSI)
rtc 115.12 160 bar (2320 PSI)
rtc 115.20 160 bar (2320 PSI)

Flow size - Nennweiten

rtc 115.03 3 mm
rtc 115.05 5 mm
rtc 115.08 9 mm
rtc 115.12 12 mm
rtc 115.20 20 mm

Material

Socket Body-
Kupplungsgrundkörper
Back part-Hinterteil

AISI 303 stainless steel - Edelstahl
AISI 303 stainless steel - Edelstahl

Valve - Ventil
Springs - Federn
Seal - Dichtung

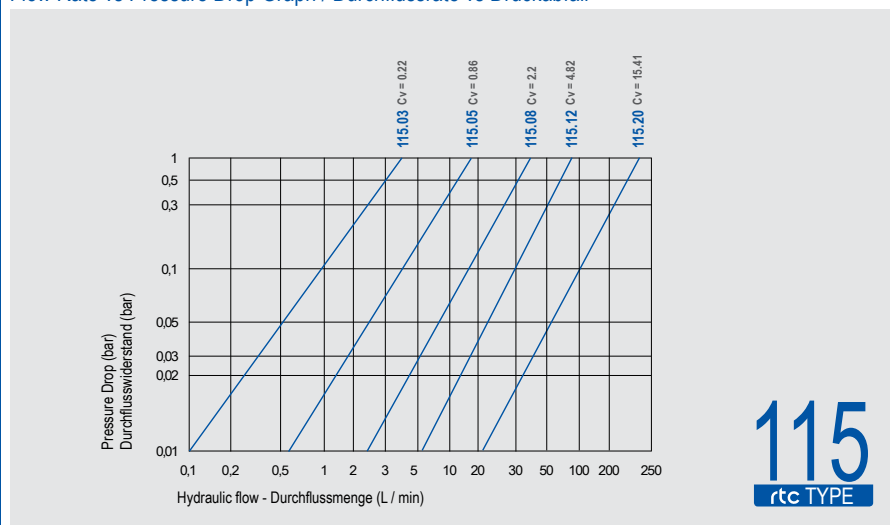
Stainless steel - Edelstahl
Stainless steel - Edelstahl
FPM (V)

Plug - Nippel
Back part-Hinterteil

AISI 420 hardened stainless steel - Gehärteter Edelstahl
AISI 303 stainless steel - Edelstahl



Flow Rate vs Pressure Drop Graph / Durchflussrate vs Druckabfall



115
rtc TYPE

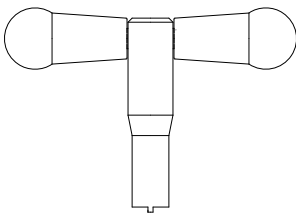
TYPE 115		115.03	115.05	115.08	115.12	115.20
Nominal / Nennweite	Ø (mm)	3	5	8	12	20
Cross section / Querschnitt	(mm ²)	30	85	177	360	960
Max. working pressure / Max. Betriebsdruck	(bar)	450	300	250	160	160
Weight of socket / Gewicht der Kupplung	(g)	17.5	48.5	81	197.5	515
Weight of plug in house Gewicht der steckbar Verschlussnippel	(g)	12	32	62	147	365
Weight of threaded plug Gewicht der schraubbar Verschlussnippel	(g)	7	21.5	39	87	290
Air Introducing at Connection Lufteingang bei der Einkuppelung	(cm ³)	0.002	0.024	0.054	0.063	0.092
Water spillage at disconnection Wasserverlust bei der Auskuppelung	(cm ³)	0.0019	0.014	0.025	0.039	0.051
Connection force / Kuppelkraft	(N)	45	59	90	160	285

rtc TYPE 115

Assembling tool - Montagewerkzeug



Assembling tool - Montagewerkzeug



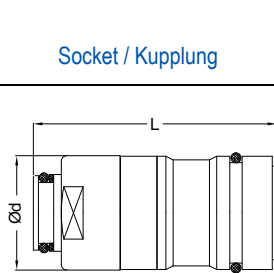
Assembling tool for Threaded Plug
Montagewerkzeug für Gewindenippel

115.03 PAT 08
115.05 PAT 14
115.08 PAT 18
115.12 PAT 24
115.20 PAT 38



Socket for assembling - Einbaukupplung

TYPE 115 **rtc**

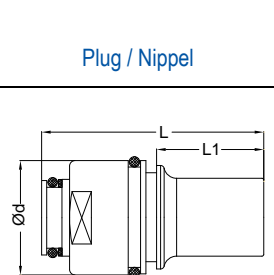


Socket / Kupplung	Size Größe Ø (mm)	Assembling Ring Montage Ring	Order No / Bestellnr.	L	Ød
	03	Ring DIN-472	115.03 SAB 00	32.5	12.5
	05	Ring DIN-472	115.05 SAB 00	42	18.5
	08	Ring DIN-472	115.08 SAB 00	46	23.5
	12	Ring DIN-472	115.12 SAB 00	67.5	31.5
	20	Ring DIN-472	115.20 SAB 00	82	48



Plug for assembling - Einbaunippel

TYPE 115 **rtc**

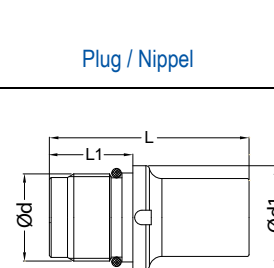


Plug / Nippel	Size Größe Ø (mm)	Assembling Ring Montage Ring	Order No / Bestellnr.	L	L1	Ød
	03	Ring DIN-472	115.03 PAB 00	33	12	12.5
	05	Ring DIN-472	115.05 PAB 00	43.5	17.5	18.5
	08	Ring DIN-472	115.08 PAB 00	49.5	20.5	23.5
	12	Ring DIN-472	115.12 PAB 00	64	28	31.5
	20	Ring DIN-472	115.20 PAB 00	82	40	48



Cylindrical male thread plug / Nippel mit Aussengewinde zylindrisch

TYPE 115 **rtc**



Plug / Nippel	Size Größe Ø (mm)	Connection Anschluss (Ød)	Order No / Bestellnr.	L	L1	Ød1
	03	M8x1.0	115.03 PMB 0810	28	11.5	12
	05	M14x1.5	115.05 PMB 1415	37.5	16	17.5
	08	M18x1.5	115.08 PMB 1815	43	18.5	22
	12	M24x1.5	115.12 PMB 2415	55	23	28.5
	20	M38x1.5	115.20 PMB 3815	75.2	30.7	46





rtc[®]

COUPLING TECHNOLOGY

-  Water
-  Pneumatic
-  Hydraulic
-  Electrical
-  Accessories

123

rtc TYPE



Temperature Range - Temperaturbereich

Nitrile (N)	-20°C +100°C (- 4°F +212°F)
FPM (V)	-10°C +180°C (+14°F +356°F)
EPDM (E)	-20°C +150°C (- 40°F +302°F)
FFKM (W)	0°C +300°C (- 40°F +572°F)
FMQ (SN)	-40°C +175°C (- 40°F +347°F)

Max. Working Pressure - Max. Betriebsdruck

rtc 123.03	500 bar (7.250 PSI)
rtc 123.05	300 bar (4.350 PSI)
rtc 123.08	250 bar (3.625 PSI)

Flow size - Nennweiten

rtc 123.03	3 mm
rtc 123.05	5 mm
rtc 123.08	8 mm

Material

Socket Body - Kupplungsgrundkörper	AISI 316L Stainless Steel - AISI 316L Edelstahl
Sleeve - Hülse	AISI 316L Stainless Steel - AISI 316L Edelstahl
Valve - Ventil	AISI 316L Stainless Steel - AISI 316L Edelstahl
Seals - Dichtungen	Nitrile (N)
Plug & Back Part - Nippel & Hinterteil	AISI 316L Stainless Steel - AISI 316L Edelstahl

Using Area

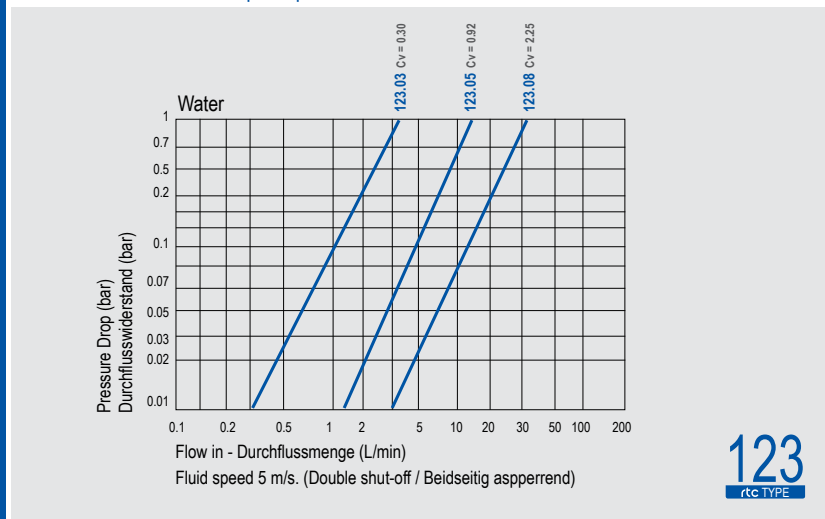
- On temperature regulation applications with hot or cold water, oil etc.
- On steam line.
- Chemical Industry
- Textile Industry

Anwendungsbereiche

- Zuleitung für die Temperierung / Druckluft
- Kunststoffindustrie
- Pharma Industrie
- Textil Industrie



Flow Rate vs Pressure Drop Graph / Durchflussrate vs Druckabfall



rtc TYPE 123

Female thread socket / Kupplung mit Innengewinde



Socket / Kupplung	Size Größe	Order No / Bestellnr.	Ød	Ød1	L	HEX.
	03	123.03 SFB 10	BSP 1/8	13	47	14
		123.03 SNB 10	NPT 1/8	13	45	14
		123.03 SUB 1024	UNF 3/8-24	13	47	14
	05	123.05 SFB 13	BSP 1/4	17	47	19
		123.05 SNB 13	NPT 1/4	17	47	19
		123.05 SUB 1320	UNF 1/2-20	17	45	19
	08	123.08 SFB 17	BSP 3/8	23	50	27
		123.08 SNB 17	NPT 3/8	23	50	27
		123.08 SUB 1916	UNF 3/4-16	23	51	27

rtc TYPE 123

Male thread socket with 60° sealing cone / Kupplung mit Aussengewinde 60° Dichtkonus



Socket / Kupplung	Size Größe	Order No / Bestellnr.	Ød	Ød1	L	L1	HEX.
	03	123.03 SMB 10	BSP 1/8	13	46	8	14
		123.03 STB 10	NPT 1/8	13	48	10	14
	05	123.05 SMB 13	BSP 1/4	17	45	11	19
		123.05 STB 13	NPT 1/4	17	48	14	19
	08	123.08 SMB 17	BSP 3/8	23	50	12	27
		123.08 STB 17	NPT 3/8	23	53	15	27

rtc TYPE 123

UNF Male thread socket with 37° sealing cone / Kupplung mit UNF Aussengewinde 37° Dichtkonus



Socket / Kupplung	Size Größe	Order No / Bestellnr.	Ød	Ød1	L	L1	HEX.
	03	123.03 SJB 1024	UNF 3/8-24	13	50	12	14
		05	123.05 SJB 1418	UNF 9/16-18	17	48	14
	123.08 SJB 1916		UNF 3/4-16	23	54	16	27

rtc TYPE 123

Socket with Stainless steel tube connection / Kupplung mit Edelstahlrohranschluss



Socket / Kupplung	Size Größe	Order No / Bestellnr.	Ød	Ød1	L	HEX.
	03	123.03 SIB 06	6 mm	13	56	14
		123.03 SIB 0635	1/4"	13	55	14
	05	123.05 SIB 08	8 mm	17	52	17
		123.05 SIB 0950	3/8"	17	54	19
	08	123.08 SIB 12	12 mm	23	60	22
		123.08 SIB 1270	1/2"	23	59	22



Female thread plug / Nippel mit Innengewinde

TYPE 123 **rtc**

Plug / Nippel	Size Größe	Order No / Bestellnr.	Ød	Ød1	L	HEX.
	03	123.03 PFB 10	BSP 1/8	17	52	14
		123.03 PNB 10	NPT 1/8	17	50	14
		123.03 PUB 1024	UNF 3/8-24	17	53	14
	05	123.05 PFB 13	BSP 1/4	22	61	19
		123.05 PNB 13	NPT 1/4	22	61	19
		123.05 PUB 1320	UNF 1/2-20	22	61	19
	08	123.08 PFB 17	BSP 3/8	29	68	22
		123.08 PNB 17	NPT 3/8	29	66	22
		123.08 PUB 1916	UNF 3/4-16	29	70	22



Male thread plug with 60° sealing cone / Nippel mit Aussengewinde 60° Dichtkonus

TYPE 123 **rtc**

Plug / Nippel	Size Größe	Order No / Bestellnr.	Ød	Ød1	L	L1	HEX.
	03	123.03 PMB 10	BSP 1/8	29	43	8	14
		123.03 PTB 10	NPT 1/8	29	45	10	14
	05	123.05 PMB 13	BSP 1/4	35	48	11	19
		123.05 PTB 13	NPT 1/4	35	51	14	19
	08	123.08 PMB 17	BSP 3/8	42	66	12	22
		123.08 PTB 17	NPT 3/8	42	69	15	22



UNF Male thread plug with 37° sealing cone / Nippel mit UNF Aussengewinde 37° Dichtkonus

TYPE 123 **rtc**

Plug / Nippel	Size Größe	Order No / Bestellnr.	Ød	Ød1	L	L1	HEX.
	03	123.03 PJB 1024	UNF 3/8-24	29	47	12	14
	05	123.05 PJB 1418	UNF 9/16-18	35	51	14	19
	08	123.08 PJB 1916	UNF 3/4-16	42	60	16	22



Plug with Stainless steel tube connection / Nippel mit Edelstahlrohranschluss

TYPE 123 **rtc**

Plug / Nippel	Size Größe	Order No / Bestellnr.	Ød	Ød1	L	HEX.
	03	123.03 PIB 06	6 mm	13	56	14
		123.03 PIB 0635	1/4"	13	55	14
	05	123.05 PIB 08	8 mm	17	52	17
		123.05 PIB 0950	3/8"	17	54	19
	08	123.08 PIB 12	12 mm	23	60	22
		123.08 PIB 1270	1/2"	23	59	22

Dust cup for socket and plug / Staubkappe für Kupplung und Nippel

TYPE 123 **rtc**

Dust cup / Staubkappe	Size Größe	Order No / Bestellnr.
	03	123.03 PD 00
	05	123.05 PD 00
	08	123.08 PD 00

Dust cup / Staubkappe	Size Größe	Order No / Bestellnr.
	03	123.03 SD 00
	05	123.05 SD 00
	08	123.08 SD 00



rtc[®]

COUPLING TECHNOLOGY



124

rtc TYPE



Temperature Range - Temperaturbereich

Nitrile (N)	-20°C + 100°C (-4°F + 212°F)
FPM (V)	-20°C + 180°C (-4°F + 356°F)

Max. Working Pressure - Max. Betriebsdruck

rtc 124.06	450 bar (6525 PSI)
rtc 124.08	450 bar (6525 PSI)
rtc 124.09	350 bar (5075 PSI)
rtc 124.12	350 bar (5075 PSI)
rtc 124.16	350 bar (5075 PSI)

Flow size - Nennweiten

rtc 124.06	6 mm
rtc 124.08	8 mm
rtc 124.09	9 mm
rtc 124.12	12 mm
rtc 124.16	16 mm

Material

Socket Body-	Stainless Steel - Edelstahl
Kupplungsgrundkörper	Steel zinc plated - Stahl verzinkt
Back part-Hinterteil	Hardened stainless steel - Gehärteter Edelstahl
Sleeve - Hülse	

Valve - Ventil	Stainless steel - Edelstahl
Springs - Federn	Stainless steel - Edelstahl
Seal - Dichtung	FPM (V)
Balls - Kugeln	Stainless steel - Edelstahl

Plug - Nippel	Hardened stainless steel - Gehärteter Edelstahl
Back part - Hinterteil	Hardened Steel zinc nickel plated - Gehärteter Stahl zink nickel beschichtet

Colour Coding / Farbcodierung

N - Colourless	Farblos
R - Red	Rot
B - Blue	Blau
Y - Yellow	Gelb
G - Green	Grün
S - Black	Schwarz

Options - Optionen

N	NBR Seal - NBR Dichtung
P	Pressure release valf - Druckentlastungsventil
PK	Dust protection cover Schutzausführung verhindert das Eindringen von Verschmutzungen

Applications

High pressure hydraulic circuits
Connection of hydraulic pumps, valves and quick tool change
Aluminium die casting
Test units
Plastic industry / core pulling
Steel industry

Anwendungen

Hochdruck-Hydraulikkreisläufe
Verbindung von Pumpen und Ventilen für den schnellen Werkzeugwechsel
Aluminiumdruckguß
Prüfstände
Werkzeugwechsel in der Kunststoffindustrie (Kernzug)
Stahlindustrie

Specification

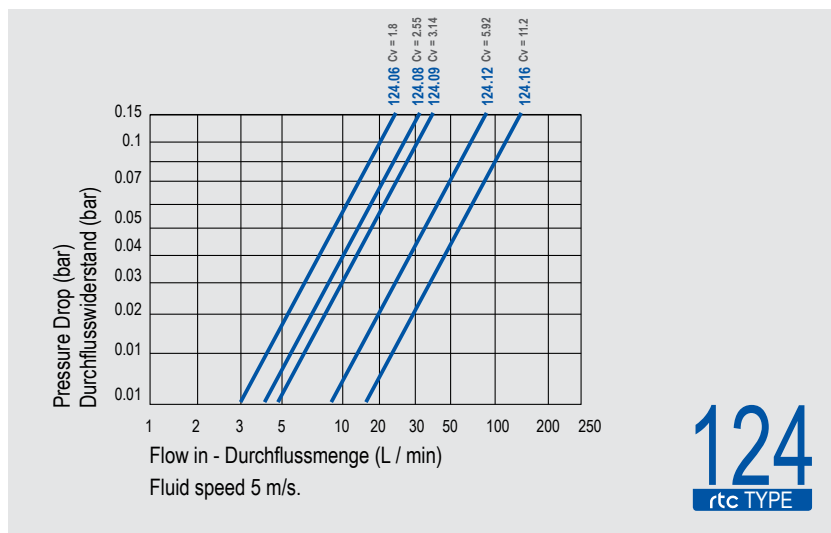
Automatically one hand connection - disconnection
Flat face
Non spill
Ball locking type
For High pressure
High flow

Eigenschaften

Ein- und Auskuppeln mit einer Hand
Ebene Stirnfläche
Leckagefrei
Kugelverriegelung
Hochdruck
Hoher Durchfluß



Flow Rate vs Pressure Drop Graph / Durchflussrate vs Druckabfall



rtc TYPE 124

Cylindrical female thread socket / Kupplung mit Innengewinde zylindrisch



Socket / Kupplung

Size
Größe

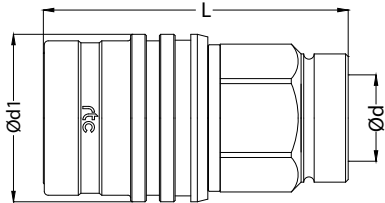
Order No / Bestellnr.

Ød

Ød1

L

HEX.



06

124.06 SFB 17
124.06 SNB 17
124.06 SUB 1418

BSP 3/8
NPT 3/8
UNF 9/16-18

39
39
39

77
75
77

27
27
27

08

124.08 SFB 21
124.08 SNB 21
124.08 SUB 1916

BSP 1/2
NPT 1/2
UNF 3/4-16

42
42
42

90
87
87

32
32
32

09

124.09 SFB 17
124.09 SFB 21

BSP 3/8
BSP 1/2

42
42

71
71

32
32

12

124.12 SFB 26
124.12 SNB 26
124.12 SUB 2712

BSP 3/4
NPT 3/4
UNF 1.1/16-12

54
54
54

103
99
104

41
41
41

16

124.16 SFB 26
124.16 SNB 26
124.16 SUB 3312

BSP 3/4
NPT 3/4
UNF 1.5/16-12

64
64
64

116
113
118

50
50
50

rtc TYPE 124

Cylindrical male thread socket / Kupplung mit Aussengewinde zylindrisch



Socket / Kupplung

Size
Größe

Order No / Bestellnr.

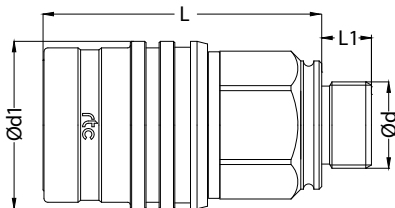
Ød

Ød1

L

L1

HEX.



06

124.06 SMB 17-60

BSP 3/8

39

66.5

12

27

08

124.08 SMB 21-60

BSP 1/2

42

76.5

14

32

12

124.12 SMB 26-60

BSP 3/4

54

90.5

16

41

16

124.16 SMB 26-60

BSP 3/4

64

105

16

50

rtc TYPE 124

Male thread socket / Kupplung mit Aussengewinde



Socket / Kupplung

Size
Größe

Order No / Bestellnr.

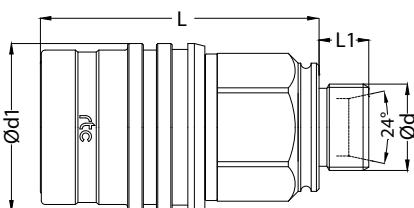
Ød

Ød1

L

L1

HEX.



06

124.06 SMB 1815-10

M18x1.5-Ø10

39

64

12

27

08

124.08 SMB 2015-12

M20x1.5-Ø12

42

75

12

32

08

124.08 SMB 2415-16

M24x1.5-Ø16

42

75

14

32

12

124.12 SMB 2415-16

M24x1.5-Ø16

54

88

14

41

12

124.12 SMB 3020-20

M30x2.0-Ø20

54

88

16

41

16

124.16 SMB 3020-20

M30x2.0-Ø20

64

105

16

50

16

124.16 SMB 3620-25

M36x2.0-Ø25

64

105

18

50

Male threaded sockets for hydraulic pipes with
24° taper according to ISO 8434-1 (type: S)
Kupplung mit Aussengewinde mit 24° Dichtkonus (typ:S)

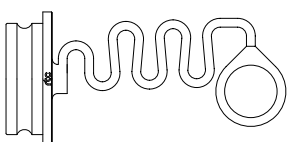
rtc TYPE 124

Dust cup for socket / Staubkappe für Kupplung

Dust cup / Staubkappe

Size
Größe

Order No / Bestellnr.



06

124.06 SD 00

08

124.08 SD 00

09

124.09 SD 00

12

124.12 SD 00

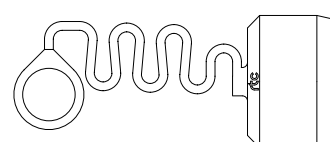
16

124.16 SD 00

Dust cup / Staubkappe

Size
Größe

Order No / Bestellnr.



06

124.06 PD 00

08

124.08 PD 00

09

124.09 PD 00

12

124.12 PD 00

16

124.16 PD 00



Cylindrical female thread plug / Nippel mit Innengewinde zylindrisch

TYPE 124

Plug / Nippel	Size Größe	Order No / Bestellnr.	Ød	Ød1	L	HEX.
	06	124.06 PFB 17	BSP 3/8	30.5	62	27
		124.06 PNB 17	NPT 3/8	30.5	62	27
		124.06 PUB 1418	UNF 9/16-18	30.5	62	27
	08	124.08 PFB 21	BSP 1/2	35.5	73	32
		124.08 PNB 21	NPT 1/2	35.5	73	32
		124.08 PUB 1916	UNF 3/4-16	35.5	73	32
	09	124.09 PFB 17	BSP 3/8	35.5	70	32
		124.09 PFB 21	BSP 1/2	35.5	73	32
	12	124.12 PFB 26	BSP 3/4	46	84.5	41
124.12 PNB 26		NPT 3/4	46	84.5	41	
124.12 PUB 2712		UNF 1.1/16-12	46	87.5	41	
16	124.16 PFB 26	BSP 3/4	56.5	94.5	50	
	124.16 PNB 26	NPT 3/4	56.5	94.5	50	
	124.16 PUB 3312	UNF 1.5/16-12	56.5	97.5	50	



Cylindrical male thread plug / Nippel mit Aussengewinde zylindrisch

TYPE 124

Plug / Nippel	Size Größe	Order No / Bestellnr.	Ød	Ød1	L	L1	HEX.
	06	124.06 PMB 17-60	BSP 3/8	30.5	51.5	12	27
	08	124.08 PMB 21-60	BSP 1/2	35.5	59	14	32
	12	124.12 PMB 26-60	BSP 3/4	46	71.5	16	41
	16	124.16 PMB 26-60	BSP 3/4	56.5	83	16	50



Male thread plug / Nippel mit Aussengewinde

TYPE 124

Plug / Nippel	Size Größe	Order No / Bestellnr.	Ød	Ød1	L	L1	HEX.
	06	124.06 PMB 1815-10	M18x1.5-Ø10	30.5	50	12	27
	08	124.08 PMB 2015-12	M20x1.5-Ø12	35.5	58	12	32
	08	124.08 PMB 2415-16	M24x1.5-Ø16	35.5	58	14	32
	12	124.12 PMB 2415-16	M24x1.5-Ø16	46	69	14	41
	12	124.12 PMB 3020-20	M30x2.0-Ø20	46	69	16	41
	16	124.16 PMB 3020-20	M30x2.0-Ø20	56.5	83	16	50
	16	124.16 PMB 3620-25	M36x2.0-Ø25	56.5	83	18	50

Male threaded Plugs for hydraulic pipes with 24° taper according to ISO 8434-1 (type: S)
Nippel mit Aussengewinde mit 24° Dichtkonus (typ:S)

Max. Working pressure / Max. Arbeitsdruck (bar)

Coupler and Plug / Kupplung und Nippel	124.06	124.08	124.09	124.12	124.16
Coupler / Kupplung	450	450	450	350	350
Plug / Nippel	450	450	450	350	350

Max. Residual pressure for connection under pressure (bar)
Max. Restdruck für die Verbindung unter Druck (bar)

124.06	124.08	124.09	124.12	124.16
150	150	150	150	150
60	90	90	40	60



rtc[®]

COUPLING TECHNOLOGY



126

rtc TYPE

Safe locking mechanism
Prevents accidental disconnection
due to mechanical or vibration forces.

Sichere Verriegelung
verhindert versehentliches Trennen
durch Vibrationskräfte.



Temperature Range - Temperaturbereich

Nitrile (N)	-20°C + 100°C (-4°F + 212°F)
FPM (V)	-20°C + 180°C (-4°F + 356°F)
EPDM (E)	-40°C + 150°C (-40°F + 302°F)
Polyurethane (PU)	-10°C + 80°C (-4°F + 302°F)

Max. Working Pressure - Max. Betriebsdruck

rtc 126.08	500 bar (7250 PSI)
rtc 126.12	500 bar (7250 PSI)
rtc 126.20	500 bar (7250 PSI)
rtc 126.25	500 bar (7250 PSI)
rtc 126.33	350 bar (5075 PSI)

Flow size - Nennweiten

rtc 126.08	8 mm
rtc 126.12	12 mm
rtc 126.20	20 mm
rtc 126.25	25 mm
rtc 126.33	33 mm

Materials of Sockets

Materialien der Kupplungen

Coupler body - Kupplungsgrundkörper	Stainless Steel - Edelstahl
Back Part - Hinterteil	Stainless Steel - Edelstahl
Loking Sleeve - Schraubverriegelung	Stainless Steel Hardened - Edelstahl Gehärtet
Valve - Ventil	Stainless Steel - Edelstahl
Springs - Federn	Stainless Steel - Edelstahl
Seals - Dichtungen	Nitrile (NBR)
Dust cups - Staubkappen	Aluminium - Aluminium

Materials of Plugs,

Die Materialien der Nippel

Plug Body - Nippelgrundkörper	Stainless Steel - Edelstahl
Plug Back Part - Hinterteil Nippel	Steel & Galvanized - Stahl verzinkt
Loking Sleeve - Schraubverriegelung	High mechanical strengt alloy steel hardened - Hohe machanical strengt legiertem Stahl gehärtet
Valve - Ventil	Stainless Steel - Edelstahl
Dust cups - Staubkappen	Aluminium - Aluminium

Standard version - Standardversion

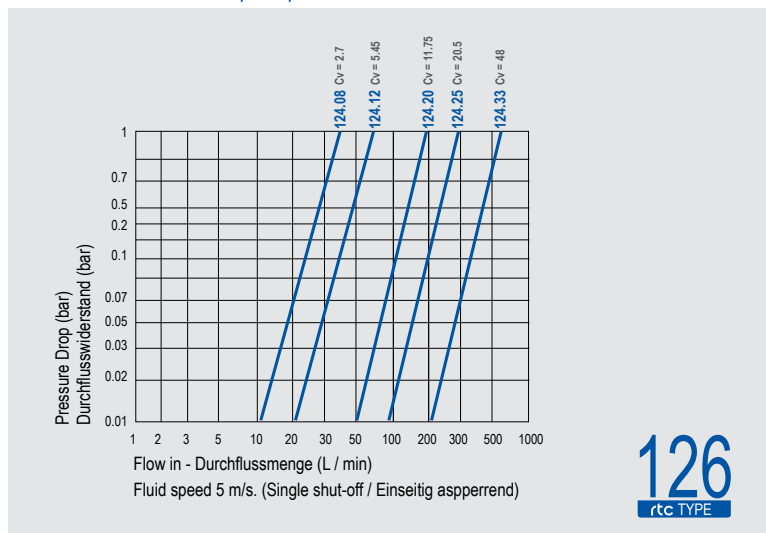
Fluorocarbonate - FPM (V)

Options - Optionen

Polyurethane - PU
Ethylene - Propylene - EPDM (E)
Glycol water, Skydrol ®



Flow Rate vs Pressure Drop Graph / Durchflussrate vs Druckabfall





■ Using Area

- Car industry: aluminium die casting, foundry tools
- Steel industry: rolling mills
- Building equipment and road making: hydraulic driven machinery, quick tool change, moles
- Mechanical construction: Hydroforming, punching, tube bending, deformation, forming

■ Anwendungsbereich

- Automobilindustrie: Aluminium-Druckguss, Gießerei
- Stahlindustrie: Walzwerke
- Bautechnik Straßenbau: hydraulisch angetriebene Maschinen, Bohrwerke
- Mechanische Verformung: Hydroforming, Stanzen, Rohrbiegen, Verformung

■ Specification

- Prevents accidental disconnection in vibration. - Flat face
- Non spill
- Connection is facilitated by the robust thread, with a quick start of trapezoidal type
- High pressure
- High flow
- 126.20, 126.25 and 126.33 plugs can be ordered with hand wheel

■ Spezifikationen

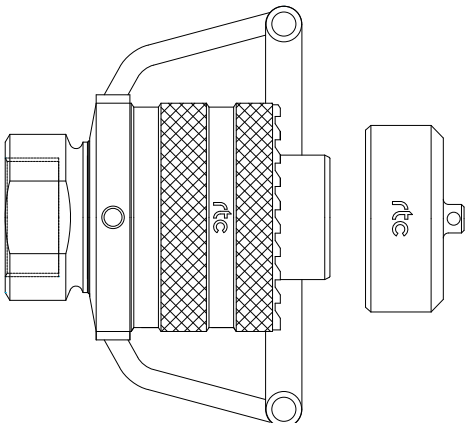
- Schraubhülse verhindert versehentliches Trennen bei Vibrationen – Flat Face
- Tropfarm
- Das Verbinden wird durch das robuste trapezförmige Gewinde erleichtert,
- Hochdruck.
- Hoher Durchfluss
- 126.20, 126.25 und 126.33 Nippel kann mit Handrad mitgeliefert

■ Recommendations

- Connect the couplings only, when the pressure is turned off

■ Empfehlungen

- Im drucklosen Zustand kuppeln



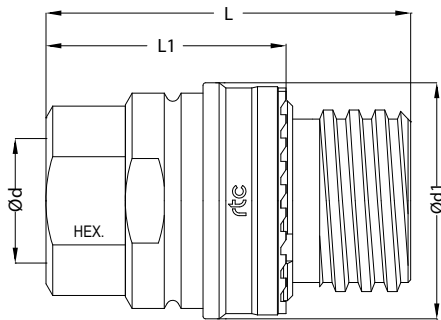
Convenient locking system

- For rtc type 126.20, rtc type 126.25 and rtc type 126.33 may be ordered with additional hand wheel to lock the couplings. Please add VT end the item number

Komfortables Verriegelungssystem

- Für rtc Typ 126.20, rtc Typ 126.25 und 126.33 rtc Typ kann mit zusätzlichem Handrad geliefert werden. Bitte fügen Sie VT an das Ende der Artikelnummer hinzu.

rtc TYPE 126 Socket / Kupplung



Female thread socket
Kupplung mit Innengewinde

126.08 Order No / Bestellnr.	Size Größe	Connection Anschluss Ød	Ød1	L	L1	HEX.
126.08 SFB 21	08	BSP 1/2	50	75	45.5	32
126.08 SNB 21	08	NPT 1/2	50	75	45.5	32
126.08 SUB 1916	08	UNF 3/4-16	50	75	45.5	32

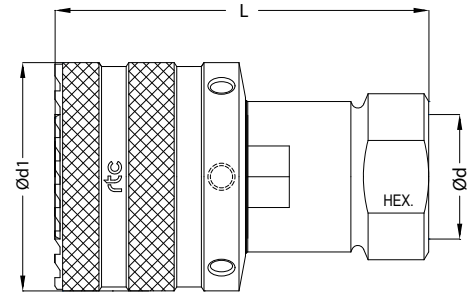
126.12 Order No / Bestellnr.	Size Größe	Connection Anschluss Ød	Ød1	L	L1	HEX.
126.12 SFB 26	12	BSP 3/4	60	94	58.5	46
126.12 SNB 26	12	NPT 3/4	60	94	58.5	46
126.12 SUB 2712	12	UNF 1-1/16-12	60	99	64	46

126.20 Order No / Bestellnr.	Size Größe	Connection Anschluss Ød	Ød1	L	L1	HEX.
126.20 SFB 33	20	BSP 1	73	110	69.5	50
126.20 SNB 33	20	NPT 1	73	110	69.5	50
126.20 SUB 3312	20	UNF 1-5/16-12	73	110	69.5	50

126.25 Order No / Bestellnr.	Size Größe	Connection Anschluss Ød	Ød1	L	L1	HEX.
126.25 SFB 42	25	BSP 1-1/4	91	140.5	88	65
126.25 SNB 42	25	NPT 1-1/4	91	140.5	88	65
126.25 SUB 4112	25	UNF 1-5/8-12	91	140.5	88	65

126.33 Order No / Bestellnr.	Size Größe	Connection Anschluss Ød	Ød1	L	L1	HEX.
126.33 SFB 48	33	BSP 1-1/2	109	153	94.5	80
126.33 SNB 48	33	NPT 1-1/2	109	153	94.5	80
126.33 SUB 4712	33	UNF 1-7/8-12	109	153	94.5	80

rtc TYPE 126 Plug / Nippel



Female thread plug
Nippel mit Innengewinde

126.08 Order No / Bestellnr.	Size Größe	Connection Anschluss Ød	Ød1	L	L1	HEX.
126.08 PFB 21	08	BSP 1/2	47	95	-	30
126.08 PNB 21	08	NPT 1/2	47	95	-	30
126.08 PUB 1916	08	UNF 3/4-16	47	89	-	30

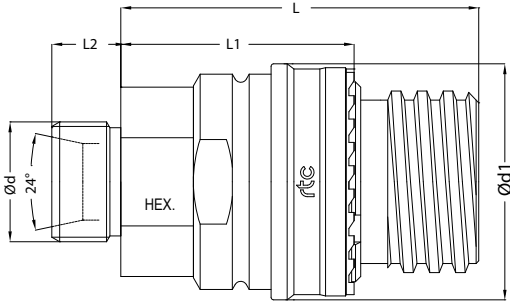
126.12 Order No / Bestellnr.	Size Größe	Connection Anschluss Ød	Ød1	L	L1	HEX.
126.12 PFB 26	12	BSP 3/4	57	107	-	38
126.12 PNB 26	12	NPT 3/4	57	107	-	38
126.12 PUB 2712	12	UNF 1-1/16-12	57	110	-	38

126.20 Order No / Bestellnr.	Size Größe	Connection Anschluss Ød	Ød1	L	L1	HEX.
126.20 PFB 33	20	BSP 1	70	124	-	46
126.20 PNB 33	20	NPT 1	70	124	-	46
126.20 PUB 3312	20	UNF 1-5/16-12	70	122	-	46

126.25 Order No / Bestellnr.	Size Größe	Connection Anschluss Ød	Ød1	L	L1	HEX.
126.25 PFB 42	25	BSP 1-1/4	88	139.5	-	58
126.25 PNB 42	25	NPT 1-1/4	88	137.5	-	58
126.25 PUB 4112	25	UNF 1-5/8-12	88	137.5	-	58

126.33 Order No / Bestellnr.	Size Größe	Connection Anschluss Ød	Ød1	L	L1	HEX.
126.33 PFB 48	33	BSP 1-1/2	108	157	-	70
126.33 PNB 48	33	NPT 1-1/2	108	157	-	70
126.33 PUB 4712	33	UNF 1-7/8-12	108	157	-	70

rtc TYPE 126 Socket / Kupplung 



Male threaded sockets for hydraulic pipes with 24° taper according to ISO 8434-1 (type: S)
Kupplung mit Aussengewinde mit 24° Dichtkonus (typ:S)

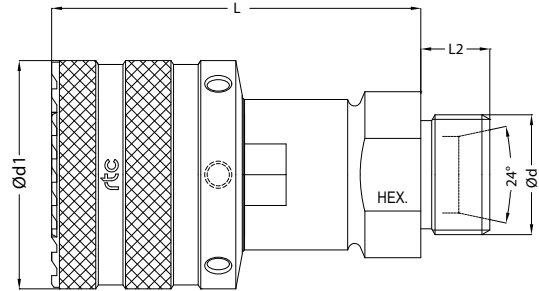
126.08		Size Größe	Connection Anschluss (Ød)	Ød1	Ød2	Ød3	L	L1	L2	HEX.
Order No / Bestellnr.										
126.08 SMB 2015-12	08	M 20x1.5-Ø12	50	-	-	74	45	12	32	
126.08 SMB 2415-16	08	M 24x1.5-Ø16	50	-	-	74	45	14	32	

126.12		Size Größe	Connection Anschluss (Ød)	Ød1	Ød2	Ød3	L	L1	L2	HEX.
Order No / Bestellnr.										
126.12 SMB 2415-16	12	M 24x1.5-Ø16	60	-	-	94	59	14	46	
126.12 SMB 3020-20	12	M 30x2.0-Ø20	60	-	-	94	59	16	46	

126.20		Size Größe	Connection Anschluss (Ød)	Ød1	Ød2	Ød3	L	L1	L2	HEX.
Order No / Bestellnr.										
126.20 SMB 3020-20	20	M 30x2.0-Ø20	73	-	-	108	68	20	50	

126.25		Size Größe	Connection Anschluss (Ød)	Ød1	Ød2	Ød3	L	L1	L2	HEX.
Order No / Bestellnr.										
126.25 SMB 4220-30	25	M 42x2.0-Ø30	91	-	-	131	78	22	65	

rtc TYPE 126 Plug / Nippel 



Male threaded Plugs for hydraulic pipes with 24° taper according to ISO 8434-1 (type: S)
Nippel mit Aussengewinde mit 24° Dichtkonus (typ:S)

126.08		Size Größe	Connection Anschluss (Ød)	Ød1	Ød2	Ød3	L	L1	L2	HEX.
Order No / Bestellnr.										
126.08 PMB 2015-12	08	M 20x1.5-Ø12	47	-	-	88	-	12	30	
126.08 PMB 2415-16	08	M 24x1.5-Ø16	47	-	-	88	-	14	30	

126.12		Size Größe	Connection Anschluss (Ød)	Ød1	Ød2	Ød3	L	L1	L2	HEX.
Order No / Bestellnr.										
126.12 PMB 2015-16	12	M 24x1.5-Ø16	57	-	-	99	-	14	38	
126.12 PMB 2415-20	12	M 30x2.0-Ø20	57	-	-	99	-	16	38	

126.20		Size Größe	Connection Anschluss (Ød)	Ød1	Ød2	Ød3	L	L1	L2	HEX.
Order No / Bestellnr.										
126.20 PMB 3020-20	20	M 30x2.0-Ø20	70	-	-	109	-	20	46	

126.25		Size Größe	Connection Anschluss (Ød)	Ød1	Ød2	Ød3	L	L1	L2	HEX.
Order No / Bestellnr.										
126.25 PMB 4220-30	25	M 42x2.0-Ø30	88	-	-	134	-	22	56	



Coloured Dust Caps

Option available for 126.08 to 126.25 add the colour code to the end of socket and plug part-numbers.

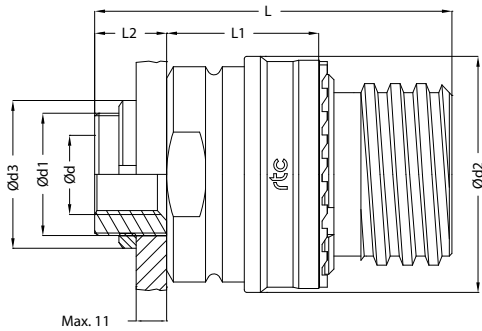
- MY = yellow anodised cap
- MR = red anodised cap
- MB = blue anodised cap
- MN = natural anodised cap

Farbige Staubkappen

Erhältlich für die Größe 126.08 bis 126.25 fügen Sie den Farbcode der Artikelnummer hinzu.

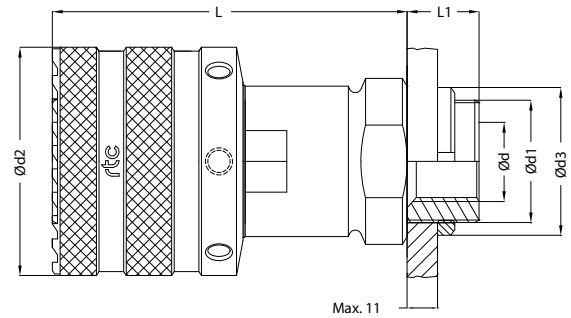
- MY = gelb eloxierte Kappe
- MR = rot eloxierte Kappe
- MB = blau eloxierte Kappe
- MN = natur eloxierte Kappe

rtc TYPE 126 Socket / Kupplung



Panel Mounting Female Threaded Sockets
Kupplung mit Innengewinde Schott

rtc TYPE 126 Plug / Nippel



Panel Mounting Female Threaded Plug
Nippel mit Innengewinde Schott

126.08		Connection Anschluss (Ød)	Ød1	Ød2	Ød3	L	L1	L2	HEX.
Order No / Bestellnr.	Size Größe								
126.08 SFBP 21	08	BSP 1/2	50	31	44	71	41	22	36
126.08 SNBP 21	08	NPT 1/2	50	31	44	71	41	22	36
126.08 SUBP 1916	08	UNF 3/4-16	50	31	44	71	41	22	36

126.08		Connection Anschluss (Ød)	Ød1	Ød2	Ød3	L	L1	L2	HEX.
Order No / Bestellnr.	Size Größe								
126.08 PFBP 21	08	BSP 1/2	47	31	44	85	22	-	35
126.08 PNBP 21	08	NPT 1/2	47	31	44	85	22	-	35
126.08 PUBP 1916	08	UNF 3/4-16	47	31	44	85	22	-	35

126.12		Connection Anschluss (Ød)	Ød1	Ød2	Ød3	L	L1	L2	HEX.
Order No / Bestellnr.	Size Größe								
126.12 SFBP 26	12	BSP 3/4	60	41	56	91	56	22	46
126.12 SNBP 26	12	NPT 3/4	60	41	56	91	56	22	46
126.12 SUBP 2712	12	UNF 1-1/16-12	60	41	56	91	56	22	46

126.12		Connection Anschluss (Ød)	Ød1	Ød2	Ød3	L	L1	L2	HEX.
Order No / Bestellnr.	Size Größe								
126.12 PFBP 26	12	BSP 3/4	57	41	56	96	22	-	56
126.12 PNBP 26	12	NPT 3/4	57	41	56	96	22	-	56
126.12 PUBP 2712	12	UNF 1-1/16-12	57	41	56	96	22	-	56

126.20		Connection Anschluss (Ød)	Ød1	Ød2	Ød3	L	L1	L2	HEX.
Order No / Bestellnr.	Size Größe								
126.20 SFBP 33	20	BSP 1	73	51	68	102	62	24	56
126.20 SNBP 33	20	NPT 1	73	51	68	102	62	24	56
126.20 SUBP 3312	20	UNF 1-1/16-12	73	51	68	102	62	24	56

126.20		Connection Anschluss (Ød)	Ød1	Ød2	Ød3	L	L1	L2	HEX.
Order No / Bestellnr.	Size Größe								
126.20 PFBP 33	20	BSP 1	70	51	68	107	24	-	56
126.20 PNBP 33	20	NPT 1	70	51	68	107	24	-	56
126.20 PUBP 3312	20	UNF 1-5/16-12	70	51	68	107	24	-	56

126.25		Connection Anschluss (Ød)	Ød1	Ød2	Ød3	L	L1	L2	HEX.
Order No / Bestellnr.	Size Größe								
126.25 SFBP 42	25	BSP 1-1/4	91	61	81	131	79	26.5	65
126.25 SNBP 42	25	NPT 1-1/4	91	61	81	131	79	26.5	65
126.25 SUBP 4112	25	UNF 1-5/8-12	91	61	81	131	79	26.5	65

126.25		Connection Anschluss (Ød)	Ød1	Ød2	Ød3	L	L1	L2	HEX.
Order No / Bestellnr.	Size Größe								
126.25 PFBP 42	25	BSP 1-1/4	88	61	81	132	26.5	-	81
126.25 PNBP 42	25	NPT 1-1/4	88	61	81	132	26.5	-	81
126.25 PUBP 4112	25	UNF 1-5/8-12	88	61	81	132	26.5	-	81



rtc[®]

COUPLING TECHNOLOGY

-  Water
-  Pneumatic
-  Hydraulic
-  Electrical
-  Accessories

127

rtc TYPE



Temperature Range - Temperaturbereich

-20°C +100°C (-4°F +212°F) Nitril (N)
-10°C +180°C (+14°F +356°F) FPM (V)
-20°C +150°C (-4°F +302°F) EPDM (E)

Max. Working Pressure - Max. Betriebsdruck

rtc 127.37 10 bar (145 PSI)

Flow size - Nennweiten

rtc 127.37 37 mm

Standard version - Standardversion

Nitrile (NBR)

Options - Optionen

Fluorocarbone - FPM (V)
EPDM: (E)

Material

Coupler Body -
Kupplungsgrundkörper
Sleeve - Hülse
Valve - Ventil
Springs - Federn
Seals - Dichtungen

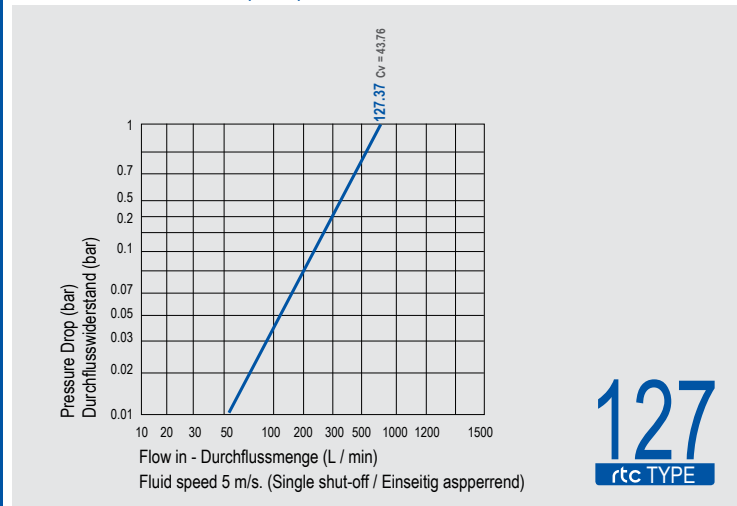
Brass Nickel Plated -
Messing Vernickelt
Brass Nickel Plated - Messing Vernickelt
Brass Nickel Plated - Messing Vernickelt
Stainless Steel - Edelstahl
Nitrile (N)

Plug - Nippel

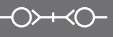
Brass Nickel Plated -
Messing vernickelt



Flow Rate vs Pressure Drop Graph / Durchflussrate vs Druckabfall

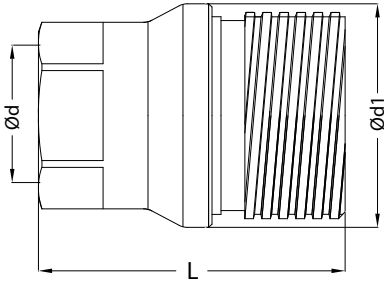


rtc TYPE 127

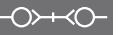


Socket / Kupplung

Size Größe	Order No / Bestellnr.	Ød	Ød1	L	HEX.
37	127.37 SFB 60	BSP 2	39	138	77
37	127.37 SNB 60	NPT 2	39	138	77
37	127.37 SUB 63	UNF 2-1/2-12	39	138	77

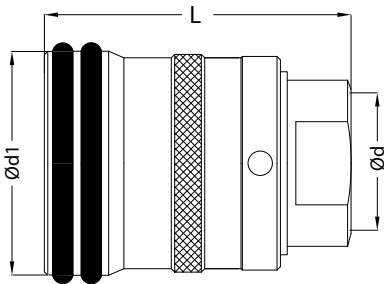


rtc TYPE 127



Plug / Nippel

Size Größe	Order No / Bestellnr.	Ød	Ød1	L	HEX.
37	127.37 PFB 60	BSP 2	39	138	77
37	127.37 PNB 60	NPT 2	39	138	77
37	127.37 PUB 63	UNF 2-1/2-12	39	138	77

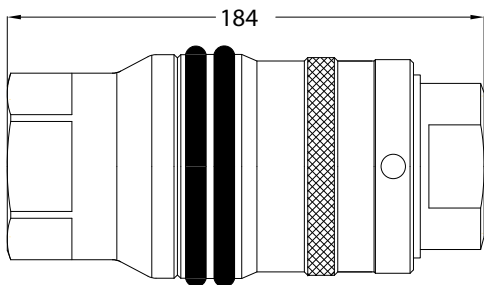


rtc TYPE 127



Socket and Plug / Kupplung und Nippel

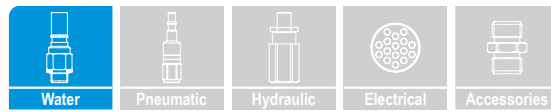
Size Größe	Brass Messing	Steel Stahl	Stainless Steel / Edelstahl (AISI 303 / AISI 316)
BSP 2	30 bar	95 bar	90 bar





rtc[®]

COUPLING TECHNOLOGY



131

rtc TYPE



Temperature Range - Temperaturbereich

Nitrile (N)	-20°C +100°C (- 4°F +212°F)
Fluorocarbon FPM (V)	-10°C +180°C (+14°F +356°F)
EPDM (E)	-20°C +150°C (- 40°F +302°F)
Perfluoroelastomer FFKM (W)	0°C +200°C (- 40°F +572°F)
Fluorosilicone FMQ (SN)	-40°C +175°C (- 40°F +347°F)

Max. Working Pressure - Max. Betriebsdruck

	Temperature: -40°C +150°C	+150°C +200°C
rtc 131.05	40 bar (580 PSI)	13 bar (190 PSI)
rtc 131.08	20 bar (290 PSI)	7 bar (102 PSI)
rtc 131.10	20 bar (290 PSI)	7 bar (102 PSI)
rtc 131.12	20 bar (290 PSI)	7 bar (102 PSI)
rtc 131.17	20 bar (290 PSI)	7 bar (102 PSI)
rtc 131.20	20 bar (290 PSI)	7 bar (102 PSI)
rtc 131.25	16 bar (232 PSI)	5 bar (73 PSI)

Flow size - Nennweiten

rtc 131.05	5 mm
rtc 131.08	8 mm
rtc 131.10	10 mm
rtc 131.12	12 mm
rtc 131.17	17 mm
rtc 131.20	20 mm
rtc 131.25	25 mm

**Material of Standard Coupler
Material für die Standardversion**

Socket body	Aluminium Alloy
Kupplungsgrundkörper	Aluminiumlegierung
Sleeve	Aluminium Alloy
Hülse	Aluminiumlegierung
Springs - Federn	Stainless Steel - Edelstahl
Locking Ring - Sprengring	Stainless Steel - Edelstahl
Balls - Kugeln	Stainless Steel - Edelstahl
Seals - Dichtungen	Nitrile (N)
Plug	Aluminium Alloy
Nippel	Aluminiumlegierung

Advantages

- Non Spill Coupling
- Flat Face
- Light and Compact

Vorteil

- Überlaufkupplung
- Flat Face
- Leicht und kompakt

Using Area

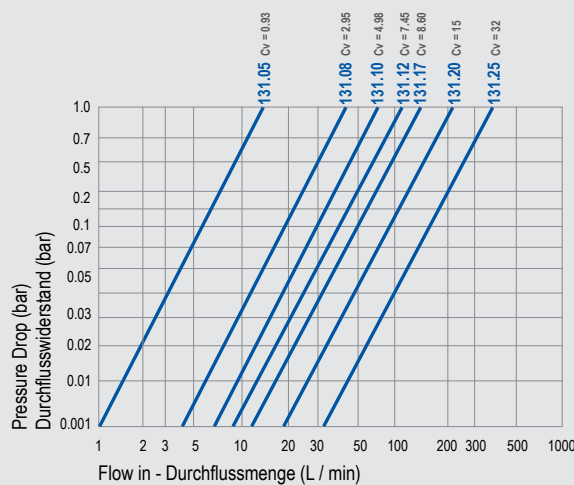
- Thermal management in Railway Industry
- Cooling of electronic components

Anwendungsbereiche

- Für kühlung im Bahnsektor
- Kühlung elektronischer Anlagen



Flow Rate vs Pressure Drop Graph



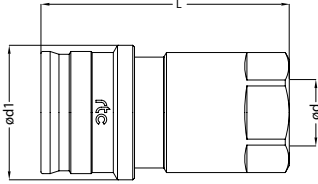
131
rtc TYPE

rtc TYPE 131

Female thread socket / Kupplung mit Innengewinde



Socket / Kupplung



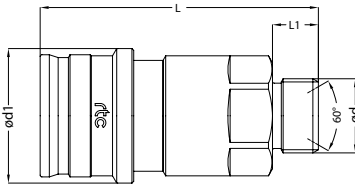
Size / Größe	Order No / Bestellnr.	Ød	Ød1	L	HEX.
05	131.05 SFB 13	BSP 1/4	26	55	17
08	131.08 SFB 17	BSP 3/8	31	60	21
10	131.10 SFB 21	BSP 1/2	38	81	30
12	131.12 SFB 26	BSP 3/4	42	98	36
17	131.17 SFB 26	BSP 3/4	50	120	41
20	131.20 SFB 33	BSP 1	60	141	50
25	131.25 SFB 42	BSP 1-1/4	71	183	60

rtc TYPE 131

Male thread socket / Kupplung mit Aussengewinde



Socket / Kupplung



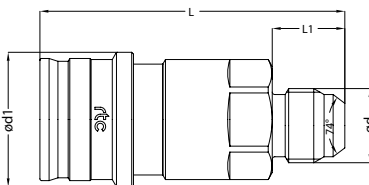
Size / Größe	Order No / Bestellnr.	Ød	Ød1	L	L1	HEX.
05	131.05 SMB 13	BSP 1/4	26	57	11	18
08	131.08 SMB 17	BSP 3/8	31	59	12	24
10	131.10 SMB 21	BSP 1/2	38	80	14	30
12	131.12 SMB 26	BSP 3/4	42	94	16	36
17	131.17 SMB 26	BSP 3/4	50	123	16	41
20	131.20 SMB 33	BSP 1	60	146	20	50
25	131.25 SMB 42	BSP 1-1/4	71	186	21	60

rtc TYPE 131

UNF Male thread socket with 37° sealing cone / Kupplung mit UNF Aussengewinde 37° Dichtkonus



Socket / Kupplung



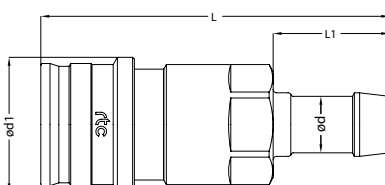
Size / Größe	Order No / Bestellnr.	Ød	Ød1	L	L1	HEX.
05	131.05 SJB 1418	UNF 9/16-18	26	60	14	18
08	131.08 SJB 1916	UNF 3/4-16	31	64	17	24
10	131.10 SJB 2214	UNF 7/8-14	38	85	19	30
12	131.12 SJB 2712	UNF 1-1/16-12	42	100	22	36
17	131.17 SJB 3312	UNF 1-5/16-12	50	130	23	41
20	131.20 SJB 4112	UNF 1-5/8-12	60	150	24	50
25	131.25 SJB 4812	UNF 1-7/8-12	71	193	28	60

rtc TYPE 131

Standard hose tail socket / Kupplung mit gerader Standard - Schlauchtülle



Socket / Kupplung



Size / Größe	Order No / Bestellnr.	Ød	Ød1	L	L1	HEX.
10	131.10 SHB 16	16 mm	38	99	33	30
10	131.10 SHB 19	19 mm	38	99	33	30
12	131.12 SHB 19	19 mm	42	111	33	36



Female thread plug / Nippel mit Innengewinde

TYPE 131



Plugs / Nippel	Size / Größe	Order No / Bestellnr.	Ød	Ød1	L	HEX.
	05	131.05 PFB 13	BSP 1/4	10.3	45	17
	08	131.08 PFB 17	BSP 3/8	15	58	21
	10	131.10 PFB 21	BSP 1/2	21	75	30
	12	131.12 PFB 26	BSP 3/4	23.5	88	36
	17	131.17 PFB 26	BSP 3/4	30.5	97	36
	20	131.20 PFB 33	BSP 1	35.5	110	46
	25	131.25 PFB 42	BSP 1-1/4	43.5	142	55



Male thread plug / Nippel mit Aussengewinde

TYPE 131



Plugs / Nippel	Size / Größe	Order No / Bestellnr.	Ød	Ød1	L	L1	HEX.
	05	131.05 PMB 13	BSP 1/4	10.3	44	11	17
	08	131.08 PMB 17	BSP 3/8	15	53	12	21
	10	131.10 PMB 21	BSP 1/2	21	70	14	27
	12	131.12 PMB 26	BSP 3/4	23.5	82	16	30
	17	131.17 PMB 26	BSP 3/4	30.5	94	16	36
	20	131.20 PMB 33	BSP 1	35.5	113	20	46
	25	131.25 PMB 42	BSP 1-1/4	43.5	135	21	55



UNF Male thread plug with 37° sealing cone / Nippel mit UNF Aussengewinde 37° Dichtkonus

TYPE 131



Plugs / Nippel	Size / Größe	Order No / Bestellnr.	Ød	Ød1	L	L1	HEX.
	05	131.05 PJB 1418	UNF 9/16-18	10.3	47	14	17
	08	131.08 PJB 1916	UNF 3/4-16	15	58	17	21
	10	131.10 PJB 2214	UNF 7/8-14	21	75	19	27
	12	131.12 PJB 2712	UNF 1-1/16-12	23.5	88	22	30
	17	131.17 PJB 3312	UNF 1-5/16-12	30.5	101	23	36
	20	131.20 PJB 4112	UNF 1-5/8-12	35.5	117	24	46
	25	131.25 PJB 4812	UNF 1-7/8-12	43.5	142	28	55



Standard hose tail plug / Nippel mit gerader Standard - Schlauchtülle

TYPE 131



Plugs / Nippel	Size / Größe	Order No / Bestellnr.	Ød	Ød1	L	L1	HEX.
	10	131.10 PHB 16	16 mm	21	89	33	27
	10	131.10 PHB 19	19 mm	21	89	33	27
	12	131.12 PHB 19	19 mm	23.5	99	33	30



rtc[®]

COUPLING TECHNOLOGY



152

rtc TYPE



Temperature Range - Temperaturbereich

FPM (V)	-20°C + 180°C (- 4°F + 356°F)
EPDM (E)	-40°C + 150°C (- 40°F + 302°F)
FFKM (W)	0°C +270°C (+23°F +518°F)

Max. Working Pressure - Max. Betriebsdruck

rtc 152.03	60 bar (870 PSI)
rtc 152.06	60 bar (870 PSI)
rtc 152.08	60 bar (870 PSI)
rtc 152.10	60 bar (870 PSI)
rtc 152.12	60 bar (870 PSI)
rtc 152.16	60 bar (870 PSI)
rtc 152.20	60 bar (870 PSI)
rtc 152.25	40 bar (580 PSI)
rtc 152.32	25 bar (362 PSI)
rtc 152.38	20 bar (290 PSI)
rtc 152.50	15 bar (217 PSI)

Flow size - Nennweiten

rtc 152.03	3 mm
rtc 152.06	6 mm
rtc 152.08	8 mm
rtc 152.10	10 mm
rtc 152.12	12 mm
rtc 152.16	16 mm
rtc 152.20	20 mm
rtc 152.25	25 mm
rtc 152.32	32 mm
rtc 152.38	38 mm
rtc 152.50	50 mm

Material

Socket Body- Kupplungsgrundkörper	Brass - Messing
Sleeve - Hülse	Stainless Steel - Edelstahl
Valve - Ventil	Brass - Messing
Locking Ring - Sprengring	Stainless Steel - Edelstahl
Balls - Kugeln	Stainless Steel - Edelstahl
Seals - Dichtungen	FKM (V)
Plug - Nippel	Stainless Steel - Edelstahl
Back part Nippel - Nippel Hinterteil	Brass - Messing

Standard version

FPM (V)
Leakage free design
Special designed valve for high flow rate.

Standardversion

- FPM (V)
- Leckagefrei
- Spezielle Ventiltechnik ermöglicht hohen Durchfluss

Options - Optionen

E EPDM Seal - EPDM Dichtung
W FFKM Seal - FFKM Dichtung

Using Area

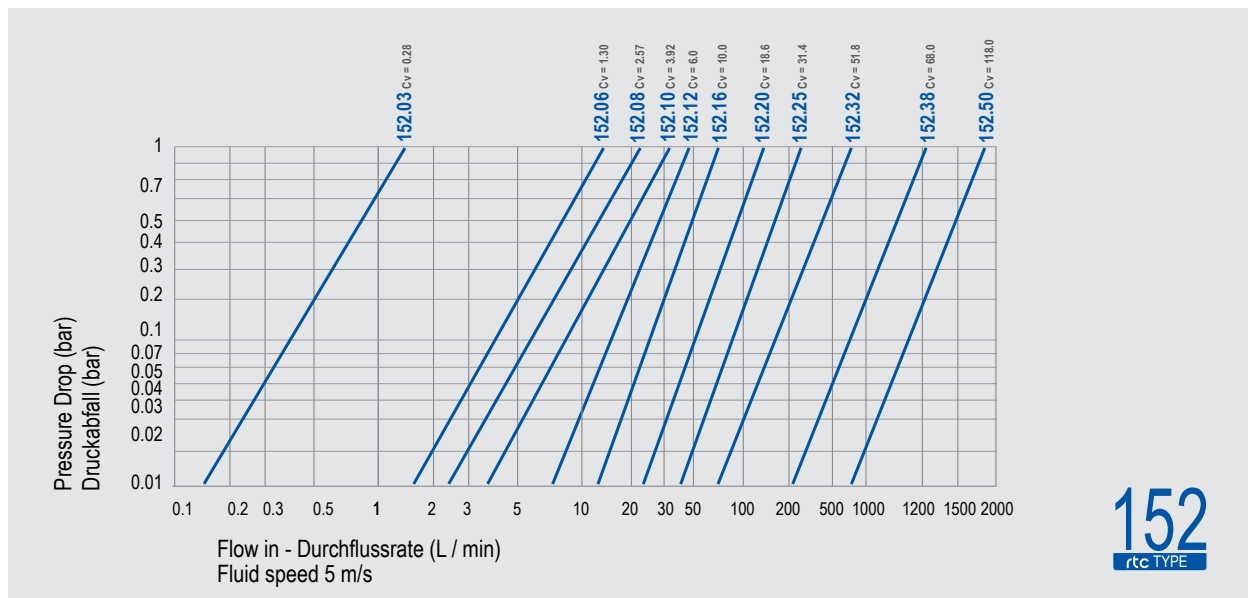
- On temperature regulation applications
with hot or cold water, oil etc.
- Blow moulding industry
- Injection moulding industries.
- On steam line.

Anwendungsbereiche

- Zuleitung für die Temperierung / Druckluft
- Blasformmaschinen Industrie
- Kühlung mit Öl oder Wasser
- Kunststoffindustrie



Flow Rate vs Pressure Drop Graph / Durchflussrate vs Druckabfall

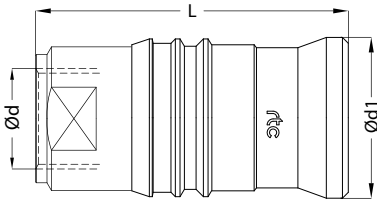


rtc TYPE 152

Female thread socket / Kupplung mit Innengewinde



Socket / Kupplung	Size / Größe	Order No / Bestellnr.	Ød	Ød1	L	HEX.
03		152.03 SFB 10	BSP 1/8	16	40	13
		152.03 SNB 10	NPT 1/8	16	40	13
06		152.06 SFB 13	BSP 1/4	22	43	30
		152.06 SNB 13	NPT 1/4	22	43	30
08		152.08 SFB 13	BSP 1/4	26.5	43	22
		152.08 SNB 13	NPT 1/4	26.5	43	22
		152.08 SFB 17	BSP 3/8	26.5	43	22
		152.08 SNB 17	NPT 3/8	26.5	43	22
10		152.10 SFB 17	BSP 3/8	30	54	25
		152.10 SNB 17	NPT 3/8	30	54	25
12		152.12 SFB 21	BSP 1/2	35	56	30
		152.12 SNB 21	NPT 1/2	35	56	30
16		152.16 SFB 26	BSP 3/4	42	81	35
		152.16 SNB 26	NPT 3/4	42	83	35
20		152.20 SFB 33	BSP 1	56	117	50
		152.20 SNB 33	NPT 1	56	117	50
25		152.25 SFB 33	BSP 1	64	119	50
		152.25 SNB 33	NPT 1	64	119	50
		152.25 SFB 42	BSP 1-1/4	64	119	50
		152.25 SNB 42	NPT 1-1/4	64	119	50
32		152.32 SFB 42	BSP 1-1/4	79	116	50
		152.32 SNB 42	NPT 1-1/4	79	116	50
		152.32 SFB 48	BSP 1-1/2	79	118	60
		152.32 SNB 48	NPT 1-1/2	79	118	60
38		152.38 SFB 48	BSP 1-1/2	93	135	60
		152.38 SNB 48	NPT 1-1/2	93	135	60
		152.38 SFB 60	BSP 2	93	142	75
		152.38 SNB 60	NPT 2	93	142	75
50		152.50 SFB 60	BSP 2	118	178	75
		152.50 SNB 60	NPT 2	118	178	75
		152.50 SFB 75	BSP 2-1/2	118	178	90
		152.50 SNB 75	NPT 2-1/2	118	178	90

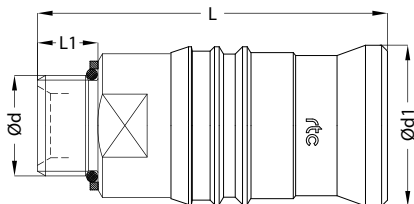


rtc TYPE 152

Male thread socket / Kupplung mit Aussengewinde



Socket / Kupplung	Size / Größe	Order No / Bestellnr.	Ød	Ød1	L	L1	HEX.
03		152.03 SOB 10	BSP 1/8	16	39	7	14
06		152.06 SOB 13	BSP 1/4	22	43	10	19
		152.06 SOB 17	BSP 3/8	22	43	10	20
08		152.08 SOB 13	BSP 1/4	26.5	43	10	22
		152.08 SOB 17	BSP 3/8	26.5	44	11	22
10		152.10 SOB 17	BSP 3/8	29	52	11	25
		152.10 SOB 21	BSP 1/2	29	53	12	25
12		152.12 SOB 17	BSP 3/8	35	54	11	30
		152.12 SOB 21	BSP 1/2	35	55	12	30
16		152.16 SOB 21	BSP 1/2	42	80	12	35
		152.16 SOB 26	BSP 3/4	42	83	16	35





Cylindrical female thread plug / Nippel mit Innengewinde zylindrisch

TYPE 152 **rtc**

Socket / Kupplung	Size / Größe	Order No / Bestellnr.	Ød	Ød1	L	L1	HEX.
	20	152.20 SOB 26	BSP 3/4	56	114	16	50
		152.20 SOB 33	BSP 1	56	117	19	50
	25	152.25 SOB 33	BSP 1	64	128	19	55
		152.25 SOB 42	BSP 1-1/4	64	128	19	55
	32	152.32 SOB 42	BSP 1-1/4	79	126	19	55
		152.32 SOB 48	BSP 1-1/2	79	129	22	60
	38	152.38 SOB 48	BSP 1-1/2	93	139	22	60
		152.38 SOB 60	BSP 2	93	140	23	65
	50	152.50 SOB 60	BSP 2	118	177	23	75
		152.50 SOB 75	BSP 2-1/2	118	184	25	90



Standard hose tail socket / Kupplung mit Standard Schlauchtülle

TYPE 152 **rtc**

Socket / Kupplung	Size / Größe	Order No / Bestellnr.	Ød	Ød1	L	L1
	03	152.03 SHB 03	3 mm	16	50	18
		152.03 SHB 06	6 mm	16	55	23
	06	152.06 SHB 06	6 mm	22	56	23
		152.06 SHB 08	8 mm	22	56	23
	08	152.08 SHB 08	8 mm	26.5	58	23
		152.08 SHB 10	10 mm	26.5	58	23
	10	152.10 SHB 10	10 mm	30	65	23
		152.10 SHB 12	12 mm	30	70	28
	12	152.12 SHB 12	12 mm	35	69	28
		152.12 SHB 16	16 mm	35	69	28
	16	152.16 SHB 16	16 mm	42	91	28
		152.16 SHB 19	19 mm	42	97	33



Push to connect hose tail socket / Kupplung mit Schnellsteck Schlauchtülle

TYPE 152 **rtc**

Socket / Kupplung	Size / Größe	Order No / Bestellnr.	Ød	Ød1	L	L1
	06	152.06 SPB 10	10 mm	22	57	24
		08	152.08 SPB 08	8 mm	26.5	59
	152.08 SPB 10		10 mm	26.5	59	28
	10	152.10 SPB 10	10 mm	30	66	24
		152.10 SPB 13	13 mm	30	71	28
	12	152.12 SPB 13	13 mm	35	69	28
		152.12 SPB 16	16 mm	35	69	28
	16	152.16 SPB 16	16 mm	42	92	28
		152.16 SPB 19	19 mm	42	102	38

rtc TYPE 152

Cylindrical female thread plug / Nippel mit Innengewinde zylindrisch



Plug / Nippel

Size / Größe

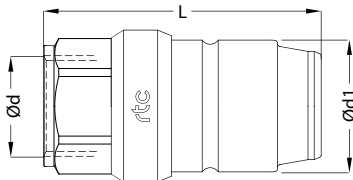
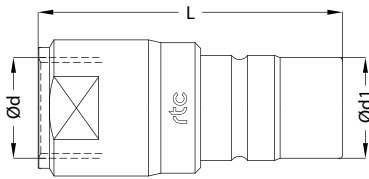
Order No / Bestellnr.

Ød

Ød1

L

HEX.



Plug Profile: 152.32 - 152.38 - 152.50

03	152.03 PFB 10	BSP 1/8	7.7	32.5	13
	152.03 PNB 10	NPT 1/8	7.7	32.5	13
06	152.06 PFB 13	BSP 1/4	11.7	44	17
	152.06 PNB 13	NPT 1/4	11.7	44	17
08	152.08 PFB 13	BSP 1/4	14.3	53	17
	152.08 PNB 13	NPT 1/4	14.3	53	17
	152.08 PFB 17	BSP 3/8	14.3	53	17
	152.08 PNB 17	NPT 3/8	14.3	53	17
10	152.10 PFB 17	BSP 3/8	17.5	64	25
	152.10 PNB 17	NPT 3/8	17.5	64	25
12	152.12 PFB 21	BSP 1/2	20.5	68	30
	152.12 PNB 21	NPT 1/2	20.5	68	30
16	152.16 PFB 26	BSP 3/4	27	73	35
	152.16 PNB 26	NPT 3/4	27	75	35
20	152.20 PFB 33	BSP 1	34	98	41
	152.20 PNB 33	NPT 1	34	99	41
25	152.25 PFB 33	BSP 1	41.5	97	50
	152.25 PNB 33	NPT 1	41.5	98	50
	152.25 PFB 42	BSP 1-1/4	41.5	97	50
	152.25 PNB 42	NPT 1-1/4	41.5	98	50
32	152.32 PFB 42	BSP 1-1/4	53	102	50
	152.32 PNB 42	NPT 1-1/4	53	102	50
	152.32 PFB 48	BSP 1-1/2	53	104	60
	152.32 PNB 48	NPT 1-1/2	53	104	60
38	152.38 PFB 48	BSP 1-1/2	66	112	60
	152.38 PNB 48	NPT 1-1/2	66	112	60
	152.38 PFB 60	BSP 2	66	116	75
	152.38 PNB 60	NPT 2	66	116	75
50	152.50 PFB 60	BSP 2	82.5	144	75
	152.50 PNB 60	NPT 2	82.5	144	75
	152.50 PFB 75	BSP 2-1/2	82.5	147	90
	152.50 PNB 75	NPT 2-1/2	82.5	147	90

rtc TYPE 152

Standard hose tail plug / Nippel mit Standard Schlauchtülle



Socket / Kupplung

Size / Größe

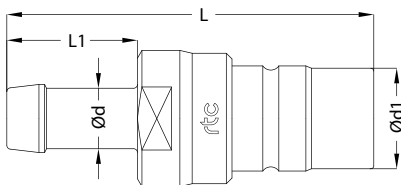
Order No / Bestellnr.

Ød

Ød1

L

L1



03	152.03 PHB 03	3 mm	7.7	43	18
	152.03 PHB 06	6 mm	7.7	48	23
06	152.06 PHB 06	6 mm	11.7	58	23
	152.06 PHB 08	8 mm	11.7	58	23
08	152.08 PHB 08	8 mm	14.3	64	23
	152.08 PHB 10	10 mm	14.3	64	23
10	152.10 PHB 10	10 mm	17.5	75	23
	152.10 PHB 12	12 mm	17.5	80	28
12	152.12 PHB 12	12 mm	20.5	81	28
	152.12 PHB 16	16 mm	20.5	81	28
16	152.16 PHB 16	16 mm	27	84	28
	152.16 PHB 19	19 mm	27	89	33



Male thread plug with o-ring / Nippel mit Aussengewinde mit o-ring

TYPE 152 **rtc**

Plug / Nippel	Size / Größe	Order No / Bestellnr.	Ød	Ød1	L	L1	HEX.
	03	152.03 POB 10	BSP 1/8	7.7	32	7	13
	06	152.06 POB 13	BSP 1/4	11.7	45	10	17
	08	152.08 POB 13	BSP 1/4	14.3	52	10	22
		152.08 POB 17	BSP 3/8	14.3	53	11	22
	10	152.10 POB 17	BSP 3/8	17.5	61	11	25
		152.10 POB 21	BSP 1/2	17.5	62	12	25
	12	152.12 POB 17	BSP 3/8	20.5	66	11	30
		152.12 POB 21	BSP 1/2	20.5	67	12	30
	16	152.16 POB 21	BSP 1/2	27	69	12	35
		152.16 POB 26	BSP 3/4	27	73	16	35
20	152.20 POB 26	BSP 3/4	34	92	16	41	
	152.20 POB 33	BSP 1	34	95	19	41	
25	152.25 POB 33	BSP 1	41.5	102	19	50	
	152.25 POB 42	BSP 1-1/4	41.5	102	19	50	
32	152.32 PMB 42	BSP 1-1/4	53	110	19	55	
	152.32 PMB 48	BSP 1-1/2	53	113	22	60	
38	152.38 PMB 48	BSP 1-1/2	66	122	22	60	
	152.38 PMB 60	BSP 2	66	128	23	70	
50	152.50 PMB 60	BSP 2	82.5	151	23	75	
	152.50 PMB 75	BSP 2-1/2	82.5	153	25	90	

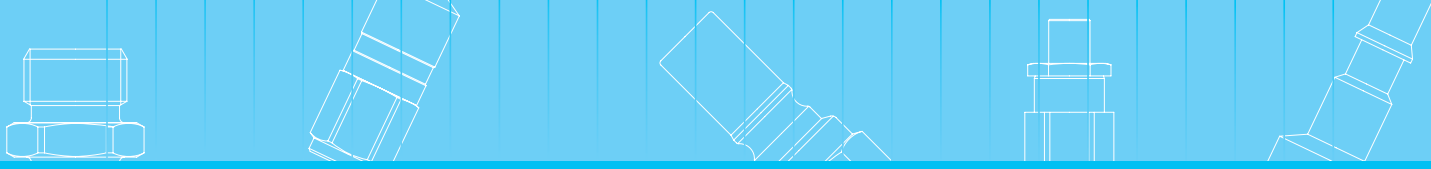
Plug Profile: 152.32 - 152.38 - 152.50



Push to connect hose tail plug / Nippel mit Schnellsteck Schlauchtülle

TYPE 152 **rtc**

Socket / Kupplung	Size / Größe	Order No / Bestellnr.	Ød	Ød1	L	L1
	06	152.06 PPB 10	10 mm	11.7	59	24
	08	152.08 PPB 08	8 mm	14.3	65	24
		152.08 PPB 10	10 mm	14.3	65	28
	10	152.10 PPB 10	10 mm	17.5	75	23
		152.10 PPB 13	13 mm	17.5	80	28
	12	152.12 PPB 13	13 mm	20.5	81	28
		152.12 PPB 16	16 mm	20.5	81	28
	16	152.16 PPB 16	16 mm	27	85	28
		152.16 PPB 19	19 mm	27	95	38



rtc[®]

COUPLING TECHNOLOGY



170

rtc TYPE





Temperature Range - Temperaturbereich

Nitrile (N)	-20°C + 110°C (-4°F + 230°F)
FPM (V)	-20°C + 180°C (-4°F + 356°F)
EPDM (Ethylene Propylene)	-40°C + 150°C (-40°F + 302°F)
PTFE (T)	-20°C + 270°C (-4°F + 518°F)
FFKM (W)	-20°C + 325°C (-4°F + 617°F)

Flow size - Nennweite

rtc type 170.03	3 mm
rtc type 170.06	5.5 mm
rtc type 170.08	8 mm
rtc type 170.11	11 mm
rtc type 170.13	13 mm
rtc type 170.16	16 mm
rtc type 170.19	19 mm

Standard Types:

Material

Socket body; AISI 303 stainless steel
others are mostly %17 choremium steel

Socket back adaptor; Steel Zink Plated

IA Types:

Material

Socket body; AISI 303 stainless steel
Socket back adaptor; AISI 303 stainless steel

Plug body and push button high resistance
stainless steel

HL & HG Types:

Material

Socket body; AISI 303 stainless steel
Socket back adaptor; AISI 303 stainless steel
Others parts mainly AISI 316L stainless steel

Plug body and push button high
resistance stainless steel

HI Types:

Material

Socket body; AISI 316L stainless steel

Plug body and push button high
resistance stainless steel

IC Types:

Material

AISI 316L stainless steel

VA Types:

Vacuum

Vacuum tightness: $1 \cdot 10^{-3} \text{ cm}^3 / \text{s}$.
in connected and disconnected position.

Standardtypen:

Material

Kupplung Grundkörper aus Edelstahl AISI
303 andere sind meist 17% Chromstahl

Kupplung Hinterteil: Stahl verzinkt

IA Typen:

Material

Kupplung Grundkörper; AISI 303 Edelstahl
Kupplung Hinterteil, AISI 303 Edelstahl

Nippel Grundkörper und Druckbolzen aus
widerstandsfähigen Edelstahl

HL & HG Typen:

Material

Kupplung Grundkörper; AISI 303 Edelstahl
Kupplung Hinterteil, AISI 303 Edelstahl
Andere Teile hauptsächlich aus Edelstahl AISI 316L

Nippel Grundkörper und Druckbolzen aus
widerstandsfähigen Edelstahl

HI Typen:

Material

Kupplung Grundkörper; Edelstahl AISI 316L

Nippel Grundkörper und Druckbolzen aus
widerstandsfähigen Edelstahl

IC Typen:

Material

Edelstahl AISI 316L

VA Typen:

Vakuum

Vakuumdichtigkeit: $1 \cdot 10^{-3} \text{ cm}^3 / \text{s}$.
in Verbindung und Trennstellung.





Nominal Ø Nennweite Ø	Flow Area Fläche	Maximum Working Pressure (Bar) - Maximaler Betriebsdruck (Bar)						
		Standart Type	IA Type	IC Type	HL Type	HG Type	HI Type	VA Type
3 mm	7 mm ²	50	50	15	400	400	400	10 ⁻³ torr
5.5 mm	24 mm ²	50	50	15	450	450	450	10 ⁻³ torr
8 mm	50 mm ²	50	50	15	400	400	400	10 ⁻³ torr
11 mm	95 mm ²	50	50	15	350	350	350	10 ⁻³ torr
13 mm	130 mm ²	50	50	15	350	350	350	10 ⁻³ torr
16 mm	200 mm ²	50	50	15	350	350	350	10 ⁻³ torr
19 mm	284 mm ²	50	50	15	300	300	300	10 ⁻³ torr



Dust Cap Fixing Ring (Code FB)

Dust cap is an additional order.

Staubkappen-Befestigungsring (Code FB)

Staubschutzkappen sind separat zu bestellen.



Raised Button (Code VD)

Ease of handling the button for connection / disconnection.

Erhöhter Druckbolzen (Code VD)

Erhöhter Druckbolzen. Einfache Handhabung beim Trennen der Verbindung

Safety Button (Code VS)

For disconnection
First step: Pull back the slider
Second step: Push the button

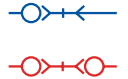
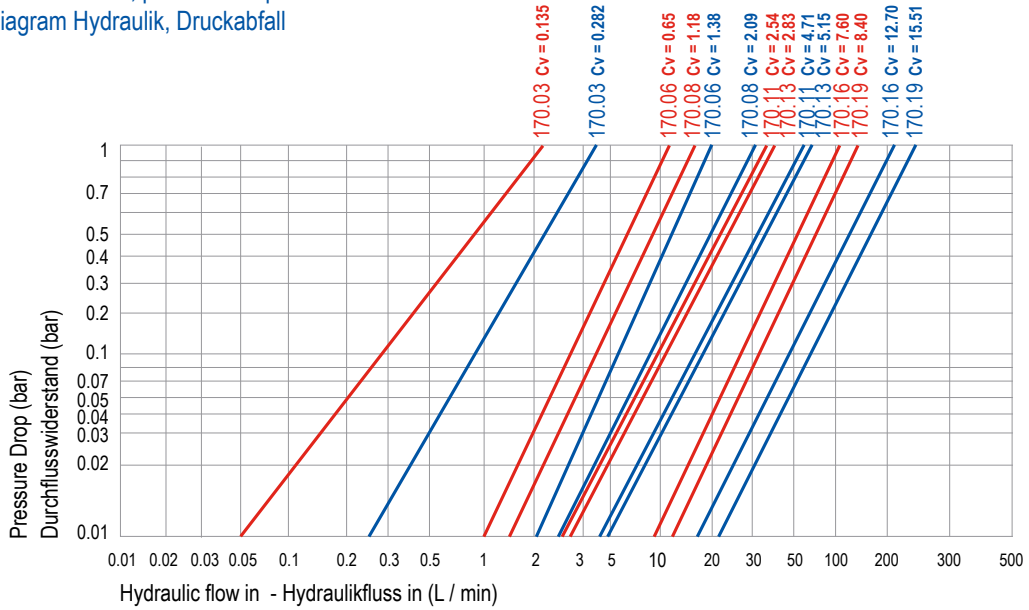
Sicherheitsknopf (Code VS)

Zur Trennung
Erster Schritt: Schieber zurückziehen
Zweiter Schritt: Betätigen

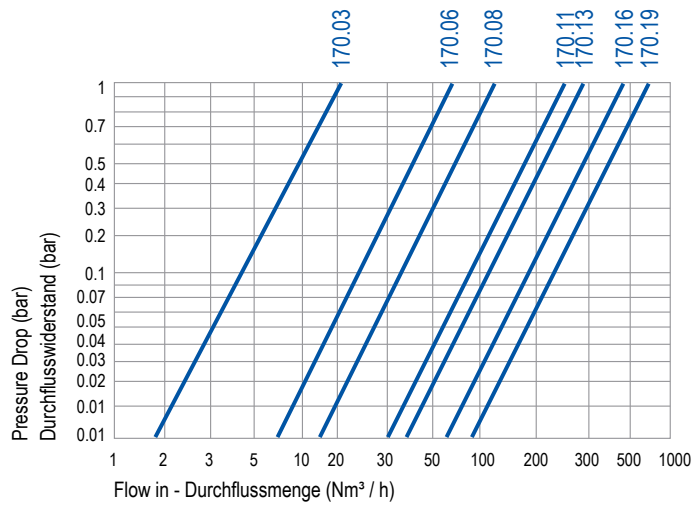




Hydraulic charts flow rate, pressure drop
Durchflussdiagramm Hydraulik, Druckabfall






Pneumatic charts flow rate Pressure
Drop from the single shut-off system
Durchflussdiagramm Pneumatik
Druckabfall Version einseitig absperrend

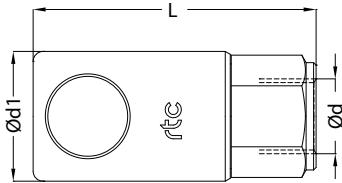


rtc TYPE 170

Female thread socket / Kupplung mit Innengewinde



Socket / Kupplung	Size Größe (mm)				Ød	Ød1	L	HEX
		Order No / Bestellnr. Single Shut-off Einseitig Absperrend	Order No / Bestellnr. Double Shut-off Beitseitig Absperrend	Order No / Bestellnr. Thru-Flow Nicht Absperrend				
03	03	170.03 SFO 10	170.03 SFB 10	170.03 SFF 10	BSP 1/8	16	43	14
		170.03 SNO 10	170.03 SNB 10	170.03 SNF 10	NPT 1/8	16	43	14
		170.03 SUO 1120	170.03 SUB 1120	170.03 SUF 1120	UNF 7/16-20	16	47	14
06	06	170.06 SFO 10	170.06 SFB 10	170.06 SFF 10	BSP 1/8	26	53	22
		170.06 SFO 13	170.06 SFB 13	170.06 SFF 13	BSP 1/4	26	53	22
		170.06 SFO 17	170.06 SFB 17	170.06 SFF 17	BSP 3/8	26	57	22
		170.06 SFO 21	170.06 SFB 21	170.06 SFF 21	BSP 1/2	26	61	24
		170.06 SNO 10	170.06 SNB 10	170.06 SNF 10	NPT 1/8	26	53	22
		170.06 SNO 13	170.06 SNB 13	170.06 SNF 13	NPT 1/4	26	54	22
		170.06 SNO 17	170.06 SNB 17	170.06 SNF 17	NPT 3/8	26	57	22
		170.06 SUO 1418	170.06 SUB 1418	170.06 SUF 1418	UN 9/16-18	26	60	22
08	08	170.08 SFO 13	170.08 SFB 13	170.08 SFF 13	BSP 1/4	32	65	27
		170.08 SFO 17	170.08 SFB 17	170.08 SFF 17	BSP 3/8	32	65	27
		170.08 SFO 21	170.08 SFB 21	170.08 SFF 21	BSP 1/2	32	74	27
		170.08 SNO 13	170.08 SNB 13	170.08 SNF 13	NPT 1/4	32	66	27
		170.08 SNO 17	170.08 SNB 17	170.08 SNF 17	NPT 3/8	32	66	27
		170.08 SNO 21	170.08 SNB 21	170.08 SNF 21	NPT 1/2	32	74	27
		170.08 SUO 1916	170.08 SUB 1916	170.08 SUF 1916	UN 3/4-16	32	76	27
		11	11	170.11 SFO 17	170.11 SFB 17	170.11 SFF 17	BSP 3/8	38
170.11 SFO 21	170.11 SFB 21			170.11 SFF 21	BSP 1/2	38	78	32
170.11 SFO 26	170.11 SFB 26			170.11 SFF 26	BSP 3/4	38	85	34
170.11 SNO 17	170.11 SNB 17			170.11 SNF 17	NPT 3/8	38	76	32
170.11 SNO 21	170.11 SNB 21			170.11 SNF 21	NPT 1/2	38	78	32
170.11 SNO 26	170.11 SNB 26			170.11 SNF 26	NPT 3/4	38	85	34
170.11 SUO 2214	170.11 SUB 2214			170.11 SUF 2214	UN 7/8-14	38	85	32
13	13			170.13 SFO 17	170.13 SFB 17	170.13 SFF 17	BSP 3/8	38
		170.13 SFO 21	170.13 SFB 21	170.13 SFF 21	BSP 1/2	38	78	32
		170.13 SNO 17	170.13 SNB 17	170.13 SNF 17	NPT 3/8	38	76	32
		170.13 SNO 21	170.13 SNB 21	170.13 SNF 21	NPT 1/2	38	78	32
16	16	170.16 SFO 21	170.16 SFB 21	170.16 SFF 21	BSP 1/2	44	91	38
		170.16 SFO 26	170.16 SFB 26	170.16 SFF 26	BSP 3/4	44	98	38
		170.16 SNO 21	170.16 SNB 21	170.16 SNF 21	NPT 1/2	44	93	38
		170.16 SNO 26	170.16 SNB 26	170.16 SNF 26	NPT 3/4	44	98	38
19	19	170.19 SFO 26	170.19 SFB 26	170.19 SFF 26	BSP 3/4	55	115	46
		170.19 SFO 33	170.19 SFB 33	170.19 SFF 33	BSP 1	55	115	46
		170.19 SNO 26	170.19 SNB 26	170.19 SNF 26	NPT 3/4	55	115	46
		170.19 SNO 33	170.19 SNB 33	170.19 SNF 33	NPT 1	55	115	46
		170.19 SUO 3312	170.19 SUB 3312	170.19 SUF 3312	UN 1-5/16-12	55	128	46

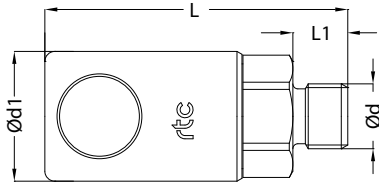




Male thread socket / Kupplung mit Aussengewinde

TYPE 170 **rtc**

Socket / Kupplung	Size Größe (mm)	Order No / Bestellnr. Single Shut-off Einseitig Absperrend	Order No / Bestellnr. Double Shut-off Beitseitig Absperrend	Order No / Bestellnr. Thru-Flow Nicht Absperrend	Ød	Ød1	L	L1	HEX
03		170.03 SMO 10	170.03 SMB 10	170.03 SMF 10	BSP 1/8	16	42	8	14
		170.03 SMO 13	170.03 SMB 13	170.03 SMF 13	BSP 1/4	16	45	11	14
		170.03 STO 10	170.03 STB 10	170.03 STF 10	NPT 1/8	16	44	10	14
		170.03 STO 13	170.03 STB 13	170.03 STF 13	NPT 1/4	16	45	11	14
06		170.06 SMO 10	170.06 SMB 10	170.06 SMF 10	BSP 1/8	26	54	8	22
		170.06 SMO 13	170.06 SMB 13	170.06 SMF 13	BSP 1/4	26	61	11	22
		170.06 SMO 17	170.06 SMB 17	170.06 SMF 17	BSP 3/8	26	61	11	22
		170.06 SMO 21	170.06 SMB 21	170.06 SMF 21	BSP 1/2	26	64	14	24
		170.06 STO 10	170.06 STB 10	170.06 STF 10	NPT 1/8	26	58	10	22
		170.06 STO 13	170.06 STB 13	170.06 STF 13	NPT 1/4	26	61	11	22
		170.06 STO 17	170.06 STB 17	170.06 STF 17	NPT 3/8	26	62	12	22
08		170.08 SMO 13	170.08 SMB 13	170.08 SMF 13	BSP 1/4	32	71	11	27
		170.08 SMO 17	170.08 SMB 17	170.08 SMF 17	BSP 3/8	32	71	11	27
		170.08 SMO 21	170.08 SMB 21	170.08 SMF 21	BSP 1/2	32	75	14	27
		170.08 STO 13	170.08 STB 13	170.08 STF 13	NPT 1/4	32	72	12	27
		170.08 STO 17	170.08 STB 17	170.08 STF 17	NPT 3/8	32	72	12	27
		170.08 STO 21	170.08 STB 21	170.08 STF 21	NPT 1/2	32	77	17	27
11		170.11 SMO 17	170.11 SMB 17	170.11 SMF 17	BSP 3/8	38	84	12	32
		170.11 SMO 21	170.11 SMB 21	170.11 SMF 21	BSP 1/2	38	88	16	32
		170.11 SMO 26	170.11 SMB 26	170.11 SMF 26	BSP 3/4	38	90	18	32
		170.11 STO 17	170.11 STB 17	170.11 STF 17	NPT 3/8	38	84	12	32
		170.11 STO 21	170.11 STB 21	170.11 STF 21	NPT 1/2	38	89	17	32
		170.11 STO 26	170.11 STB 26	170.11 STF 26	NPT 3/4	38	91	19	34
13		170.13 SMO 17	170.13 SMB 17	170.13 SMF 17	BSP 3/8	38	84	12	32
		170.13 SMO 21	170.13 SMB 21	170.13 SMF 21	BSP 1/2	38	88	16	32
		170.13 STO 17	170.13 STB 17	170.13 STF 17	NPT 3/8	38	84	12	32
		170.13 STO 21	170.13 STB 21	170.13 STF 21	NPT 1/2	38	89	17	32
16		170.16 SMO 21	170.16 SMB 21	170.16 SMF 21	BSP 3/4	44	97	16	38
		170.16 SMO 26	170.16 SMB 26	170.16 SMF 26	BSP 1	44	100	19	38
		170.16 STO 21	170.16 STB 21	170.16 STF 21	NPT 3/4	44	98	17	38
		170.16 STO 26	170.16 STB 26	170.16 STF 26	NPT 1	44	100	19	38
19		170.19 SMO 26	170.19 SMB 26	170.19 SMF 26	BSP 1/2	55	124	18	46
		170.19 SMO 33	170.19 SMB 33	170.19 SMF 33	BSP 3/4	55	126	20	46
		170.19 STO 26	170.19 STB 26	170.19 STF 26	NPT 1/2	55	123	19	46
		170.19 STO 33	170.19 STB 33	170.19 STF 33	NPT 3/4	55	125	22	46



rtc TYPE 170		Standard hose tail socket / Kupplung mit gerader Standard - Schlauchtülle								
Socket / Kupplung	Size Größe (mm)	Order No / Bestellnr. Single Shut-off Einseitig Absperrend	Order No / Bestellnr. Double Shut-off Beitseitig Absperrend	Order No / Bestellnr. Thru-Flow Nicht Absperrend	Ød	Ød1	L	L1	HEX	
	03	170.03 SHO 04	170.03 SHB 04	170.03 SHF 04	4.5mm	16	52	18	14	
		170.03 SHO 06	170.03 SHB 06	170.03 SHF 06	6mm	16	52	18	14	
	06	170.06 SHO 06	170.06 SHB 06	170.06 SHF 06	6mm	26	69	23	22	
		170.06 SHO 08	170.06 SHB 08	170.06 SHF 08	8mm	26	69	23	22	
		170.06 SHO 10	170.06 SHB 10	170.06 SHF 10	10mm	26	69	23	22	
		170.06 SHO 13	170.06 SHB 13	170.06 SHF 13	13mm	26	72	26	22	
	08	170.08 SHO 06	170.08 SHB 06	170.08 SHF 06	6mm	32	81	23	27	
		170.08 SHO 08	170.08 SHB 08	170.08 SHF 08	8mm	32	81	23	27	
		170.08 SHO 10	170.08 SHB 10	170.08 SHF 10	10mm	32	81	23	27	
	11	170.11 SHO 06	170.11 SHB 06	170.11 SHF 06	6mm	38	92	23	27	
		170.11 SHO 08	170.11 SHB 08	170.11 SHF 08	8mm	38	92	23	27	
		170.11 SHO 13	170.11 SHB 13	170.11 SHF 13	13mm	38	95	26	32	
		170.11 SHO 16	170.11 SHB 16	170.11 SHF 16	16mm	38	95	26	32	
	19	170.19 SHO 19	170.19 SHB 19	170.19 SHF 19	19mm	55	125	37	46	
		170.19 SHO 25	170.19 SHB 25	170.19 SHF 25	25mm	55	140	50	46	

rtc TYPE 170		Socket with Plastic Hose Connection / Kupplung mit Kunststoffschlauchanschluss								
Socket / Kupplung	Size Größe (mm)	Order No / Bestellnr. Single Shut-off Einseitig Absperrend	Order No / Bestellnr. Double Shut-off Beitseitig Absperrend	Order No / Bestellnr. Thru-Flow Nicht Absperrend	Ød	Ød1	L	HEX		
	03	170.03 SVO 0406	170.03 SVB 0406	170.03 SVF 0406	4x6 mm	16	48	14		
		170.03 SVO 0608	170.03 SVB 0608	170.03 SVF 0608	6x8 mm	16	48	14		
	06	170.06 SVO 0608	170.06 SVB 0608	170.06 SVF 0608	6x8 mm	26	65	22		
		170.06 SVO 0810	170.06 SVB 0810	170.06 SVF 0810	8x10 mm	26	65	22		
	08	170.08 SVO 0810	170.08 SVB 0810	170.08 SVF 0810	8x10 mm	32	80	27		
		170.08 SVO 1012	170.08 SVB 1012	170.08 SVF 1012	10x12 mm	32	80	27		

rtc TYPE 170		Socket with Copper Hose Connection / Kupplung mit Kupfer Rohranschluss - Schottanschluss								
Socket / Kupplung	Size Größe (mm)	Order No / Bestellnr. Single Shut-off Einseitig Absperrend	Order No / Bestellnr. Double Shut-off Beitseitig Absperrend	Order No / Bestellnr. Thru-Flow Nicht Absperrend	Ød	Ød1	L	HEX		
	03	170.03 SCO 04	170.03 SCB 04	170.03 SCF 04	4x6 mm	16	42	14		
		170.03 SCO 06	170.03 SCB 06	170.03 SCF 06	6x8 mm	16	42	14		
	06	170.06 SCO 06	170.06 SCB 06	170.06 SCF 06	6x8 mm	26	60	22		
		170.06 SCO 08	170.06 SCB 08	170.06 SCF 08	8x10 mm	26	60	22		
	08	170.08 SCO 08	170.08 SCB 08	170.08 SCF 08	8x10 mm	32	70	27		
		170.08 SCO 10	170.08 SCB 10	170.08 SCF 10	10x12 mm	32	70	27		




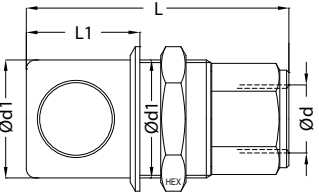
rtc TYPE 170		Socket with Stainless steel tube connection / Kupplung mit Edelstahlrohranschluss								
Socket / Kupplung	Size Größe (mm)	Order No / Bestellnr. Single Shut-off Einseitig Absperrend	Order No / Bestellnr. Double Shut-off Beitseitig Absperrend	Order No / Bestellnr. Thru-Flow Nicht Absperrend	Ød	Ød1	L	HEX		
	06	170.06 SIO 06	170.06 SIB 06	170.06 SIF 06	6 mm	26	60	22		
		170.06 SIO 08	170.06 SIB 08	170.06 SIF 08	8 mm	26	60	22		
		170.06 SIO 10	170.06 SIB 10	170.06 SIF 10	10 mm	26	60	22		
	08	170.08 SIO 10	170.08 SIB 10	170.08 SIF 10	10 mm	32	70	27		
		170.08 SIO 12	170.08 SIB 12	170.08 SIF 12	12 mm	32	70	27		



Female thread panel mounted socket panel mounted / Kupplung mit Innengewinde - Schottanschluss

TYPE 170






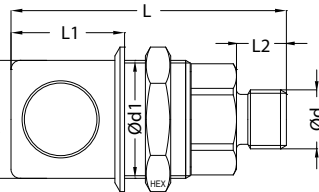
Socket / Kupplung	Size Größe (mm)				Ød	Ød1	L	L1	HEX
		Order No / Bestellnr. Single Shut-off Einseitig Absperrend	Order No / Bestellnr. Double Shut-off Beitseitig Absperrend	Order No / Bestellnr. Thru-Flow Nicht Absperrend					
	03	170.03 SFOP 10	170.03 SFBP 10	170.03 SFFP 10	BSP 1/8	16	43	18	19
		170.03 SNOP 10	170.03 SNBP 10	170.03 SNFP 10	NPT 1/8	16	43	18	19
		170.03 SUOP 1120	170.03 SUBP 1120	170.03 SUFP 1120	UNF 7/16-20	16	47	18	19
	06	170.06 SFOP 10	170.06 SFBP 10	170.06 SFFP 10	BSP 1/8	26	53	26	32
		170.06 SFOP 13	170.06 SFBP 13	170.06 SFFP 13	BSP 1/4	26	53	26	32
		170.06 SFOP 17	170.06 SFBP 17	170.06 SFFP 17	BSP 3/8	26	57	26	32
		170.06 SFOP 21	170.06 SFBP 21	170.06 SFFP 21	BSP 1/2	26	61	26	32
		170.06 SNOP 10	170.06 SNBP 10	170.06 SNFP 10	NPT 1/8	26	53	26	32
		170.06 SNOP 13	170.06 SNBP 13	170.06 SNFP 13	NPT 1/4	26	54	26	32
		170.06 SNOP 17	170.06 SNBP 17	170.06 SNFP 17	NPT 3/8	26	57	26	32
	08	170.06 SUOP 1418	170.06 SUBP 1418	170.06 SUFP 1418	UNF 9/16-18	26	60	26	32
		170.08 SFOP 13	170.08 SFBP 13	170.08 SFFP 13	BSP 1/4	32	65	31	36
		170.08 SFOP 17	170.08 SFBP 17	170.08 SFFP 17	BSP 3/8	32	65	31	36
		170.08 SFOP 21	170.08 SFBP 21	170.08 SFFP 21	BSP 1/2	32	74	31	36
		170.08 SNOP 13	170.08 SNBP 13	170.08 SNFP 13	NPT 1/4	32	66	31	36
		170.08 SNOP 17	170.08 SNBP 17	170.08 SNFP 17	NPT 3/8	32	66	31	36
	11	170.08 SNOP 21	170.08 SNBP 21	170.08 SNFP 21	NPT 1/2	32	74	31	36
		170.08 SUOP 1916	170.08 SUBP 1916	170.08 SUFP 1916	UNF 3/4-16	32	76	31	36
		170.11 SFOP 17	170.11 SFBP 17	170.11 SFFP 17	BSP 3/8	38	76	37	41
		170.11 SFOP 21	170.11 SFBP 21	170.11 SFFP 21	BSP 1/2	38	78	37	41
		170.11 SFOP 26	170.11 SFBP 26	170.11 SFFP 26	BSP 3/4	38	85	37	41
170.11 SNOP 17		170.11 SNBP 17	170.11 SNFP 17	NPT 3/8	38	76	37	41	
19	170.11 SNOP 21	170.11 SNBP 21	170.11 SNFP 21	NPT 1/2	38	78	37	41	
	170.11 SNOP 26	170.11 SNBP 26	170.11 SNFP 26	NPT 3/4	38	85	37	41	
	170.11 SUOP 2214	170.11 SUBP 2214	170.11 SUFP 2214	UNF 7/8-14	38	85	37	41	
	170.19 SFOP 26	170.19 SFBP 26	170.19 SFFP 26	BSP 3/4	55	115	53	60	
	170.19 SFOP 33	170.19 SFBP 33	170.19 SFFP 33	BSP 1	55	115	53	60	
	170.19 SNOP 26	170.19 SNBP 26	170.19 SNFP 26	NPT 3/4	55	115	53	60	
	170.19 SNOP 33	170.19 SNBP 33	170.19 SNFP 33	NPT 1	55	115	53	60	
	170.19 SUOP 3312	170.19 SUBP 3312	170.19 SUFP 3312	UNF 1-5/16-12	55	128	53	60	



Male thread panel mounted socket / Kupplung mit Aussengewinde Schottanschluss

TYPE 170



Socket / Kupplung	Size Größe (mm)				Ød	Ød1	L	L1	L2	HEX
		Order No / Bestellnr. Single Shut-off Einseitig Absperrend	Order No / Bestellnr. Double Shut-off Beitseitig Absperrend	Order No / Bestellnr. Thru-Flow Nicht Absperrend						
	03	170.03 SMOP 10	170.03 SMBP 10	170.03 SMFP 10	BSP 1/8	16	42	18	8	19
		170.03 SMOP 13	170.03 SMBP 13	170.03 SMFP 13	BSP 1/4	16	45	18	11	19
		170.03 STOP 10	170.03 STBP 10	170.03 STFP 10	NPT 1/8	16	44	18	10	19
		170.03 STOP 13	170.03 STBP 13	170.03 STFP 13	NPT 1/4	16	45	18	11	19
	06	170.06 SMOP 10	170.06 SMBP 10	170.06 SMFP 10	BSP 1/8	26	54	26	8	32
		170.06 SMOP 13	170.06 SMBP 13	170.06 SMFP 13	BSP 1/4	26	61	26	11	32
		170.06 SMOP 17	170.06 SMBP 17	170.06 SMFP 17	BSP 3/8	26	61	26	11	32
		170.06 SMOP 21	170.06 SMBP 21	170.06 SMFP 21	BSP 1/2	26	64	26	14	32
		170.06 STOP 10	170.06 STBP 10	170.06 STFP 10	NPT 1/8	26	58	26	10	32
		170.06 STOP 13	170.06 STBP 13	170.06 STFP 13	NPT 1/4	26	61	26	11	32
		170.06 STOP 17	170.06 STBP 17	170.06 STFP 17	NPT 3/8	26	62	26	12	32
	08	170.08 SMOP 13	170.08 SMBP 13	170.08 SMFP 13	BSP 1/4	32	71	31	11	36
		170.08 SMOP 17	170.08 SMBP 17	170.08 SMFP 17	BSP 3/8	32	71	31	11	36
		170.08 SMOP 21	170.08 SMBP 21	170.08 SMFP 21	BSP 1/2	32	75	31	14	36
		170.08 STOP 13	170.08 STBP 13	170.08 STFP 13	NPT 1/4	32	72	31	12	36
		170.08 STOP 17	170.08 STBP 17	170.08 STFP 17	NPT 3/8	32	72	31	12	36
		170.08 STOP 21	170.08 STBP 21	170.08 STFP 21	NPT 1/2	32	77	31	17	36

rtc TYPE 170

Male thread panel mounted socket / Kupplung mit Aussengewinde Schottanschluss



Socket / Kupplung	Size Größe (mm)	Order No / Bestellnr. Single Shut-off Einseitig Absperrend	Order No / Bestellnr. Double Shut-off Beitseitig Absperrend	Order No / Bestellnr. Thru-Flow Nicht Absperrend	Ød	Ød1	L	L1	L2	HEX
	11	170.11 SMOP 17	170.11 SMBP 17	170.11 SMFP 17	BSP 3/8	38	84	37	12	41
		170.11 SMOP 21	170.11 SMBP 21	170.11 SMFP 21	BSP 1/2	38	88	37	16	41
		170.11 SMOP 26	170.11 SMBP 26	170.11 SMFP 26	BSP 3/4	38	90	37	18	41
		170.11 STOP 17	170.11 STBP 17	170.11 STFP 17	NPT 3/8	38	84	37	12	41
		170.11 STOP 21	170.11 STBP 21	170.11 STFP 21	NPT 1/2	38	89	37	17	41
		170.11 STOP 26	170.11 STBP 26	170.11 STFP 26	NPT 3/4	38	91	37	19	41
	19	170.19 SMOP 26	170.19 SMBP 26	170.19 SMFP 26	BSP 3/4	55	124	53	18	60
		170.19 SMOP 33	170.19 SMBP 33	170.19 SMFP 33	BSP 1	55	126	53	20	60
		170.19 STOP 26	170.19 STBP 26	170.19 STFP 26	NPT 3/4	55	123	53	19	60
		170.19 STOP 33	170.19 STBP 33	170.19 STFP 33	NPT 1	55	125	53	22	60

rtc TYPE 170

Standard hose tail panel mounted socket / Kupplung mit gerader Standard - Schlauchtülle Schottanschluss



Socket / Kupplung	Size Größe (mm)	Order No / Bestellnr. Single Shut-off Einseitig Absperrend	Order No / Bestellnr. Double Shut-off Beitseitig Absperrend	Order No / Bestellnr. Thru-Flow Nicht Absperrend	Ød	Ød1	L	L1	HEX
	03	170.03 SHOP 04	170.03 SHBP 04	170.03 SHFP 04	4.5mm	16	57	18	19
		170.03 SHOP 06	170.03 SHBP 06	170.03 SHFP 06	6mm	16	57	18	19
	06	170.06 SHOP 06	170.06 SHBP 06	170.06 SHFP 06	6mm	26	69	25	32
		170.06 SHOP 08	170.06 SHBP 08	170.06 SHFP 08	8mm	26	69	25	32
		170.06 SHOP 10	170.06 SHBP 10	170.06 SHFP 10	10mm	26	69	25	32
		170.06 SHOP 13	170.06 SHBP 13	170.06 SHFP 13	13mm	26	72	25	32
	08	170.08 SHOP 06	170.08 SHBP 06	170.08 SHFP 06	6mm	32	86	31	36
		170.08 SHOP 08	170.08 SHBP 08	170.08 SHFP 08	8mm	32	86	31	36
		170.08 SHOP 10	170.08 SHBP 10	170.08 SHFP 10	10mm	32	88	31	36
		170.08 SHOP 13	170.08 SHBP 13	170.08 SHFP 13	13mm	32	91	31	36
	11	170.11 SHOP 08	170.11 SHBP 08	170.11 SHFP 08	8mm	38	95	37	41
		170.11 SHOP 10	170.11 SHBP 10	170.11 SHFP 10	10mm	38	95	37	41
		170.11 SHOP 13	170.11 SHBP 13	170.11 SHFP 13	13mm	38	97	37	41
		170.11 SHOP 16	170.11 SHBP 16	170.11 SHFP 16	16mm	38	102	37	41
		170.11 SHOP 19	170.11 SHBP 19	170.11 SHFP 19	19mm	38	102	37	41
	19	170.19 SHOP 19	170.19 SHBP 19	170.19 SHFP 19	19mm	55	177	53	60
		170.19 SHOP 25	170.19 SHBP 25	170.19 SHFP 25	25mm	55	179	53	60

rtc TYPE 170

Socket with Plastic Hose Connection / Kupplung mit Kunststoffschöchanschluss - Schottanschluss

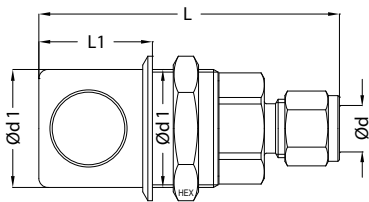


Socket / Kupplung	Size Größe (mm)	Order No / Bestellnr. Single Shut-off Einseitig Absperrend	Order No / Bestellnr. Double Shut-off Beitseitig Absperrend	Order No / Bestellnr. Thru-Flow Nicht Absperrend	Ød	Ød1	L	L1	HEX
	03	170.03 SVOP 0406	170.03 SVBP 0406	170.03 SVFP 0406	4x6mm	16	48	18	19
		170.03 SVOP 0608	170.03 SVBP 0608	170.03 SVFP 0608	6x8mm	16	48	18	19
	06	170.06 SVOP 0608	170.06 SVBP 0608	170.06 SVFP 0608	6x8mm	26	74	25	32
		170.06 SVOP 0810	170.06 SVBP 0810	170.06 SVFP 0810	8x10mm	26	74	25	32
	08	170.08 SVOP 0810	170.08 SVBP 0810	170.08 SVFP 0810	8x10mm	32	88	31	36
		170.08 SVOP 1012	170.08 SVBP 1012	170.08 SVFP 1012	10x12mm	32	88	31	36

rtc TYPE 170

Socket with Copper Hose Connection / Kuplung mit Kupfer Rohrschluss - Schottanschluss

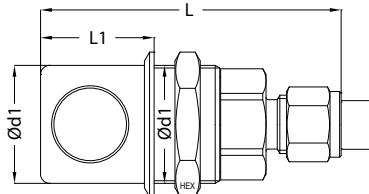


Socket / Kupplung	Size Größe (mm)	Order No / Bestellnr. Single Shut-off Einseitig Absperrend	Order No / Bestellnr. Double Shut-off Beidseitig Absperrend	Order No / Bestellnr. Thru-Flow Nicht Absperrend	Ød	Ød1	L	L1	HEX
	03	170.03 SCOP 04	170.03 SCBP 04	170.03 SCFP 04	4x6mm	16	48	18	19
		170.03 SCOP 06	170.03 SCBP 06	170.03 SCFP 06	6x8mm	16	48	18	19
	06	170.06 SCOP 06	170.06 SCBP 06	170.06 SCFP 06	6x8mm	26	76.5	25	32
		170.06 SCOP 08	170.06 SCBP 08	170.06 SCFP 08	8x10mm	26	76.5	25	32
		170.06 SCOP 10	170.06 SCBP 10	170.06 SCFP 10	10x12mm	26	76.5	25	32
	08	170.08 SCOP 08	170.08 SCBP 08	170.08 SCFP 08	8x10mm	32	89	31	36
170.08 SCOP 10		170.08 SCBP 10	170.08 SCFP 10	10x12mm	32	93	31	36	

Socket with Stainless steel tube connection / Kuplung mit Edelstahlrohranschluss - Schottanschluss

TYPE 170



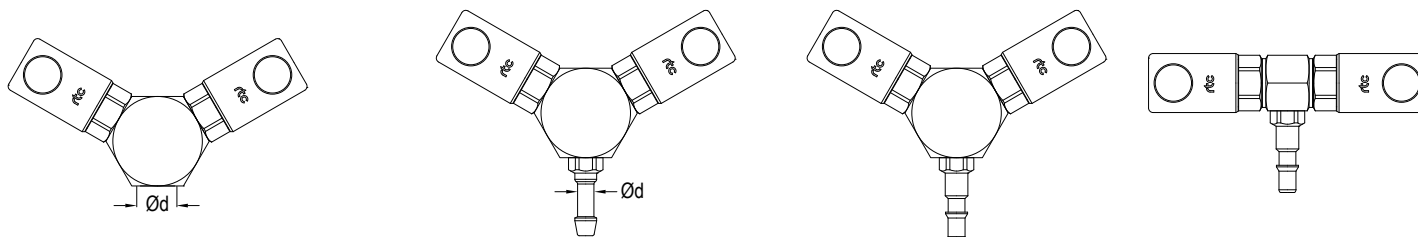
Socket / Kupplung	Size Größe (mm)	Order No / Bestellnr. Single Shut-off Einseitig Absperrend	Order No / Bestellnr. Double Shut-off Beidseitig Absperrend	Order No / Bestellnr. Thru-Flow Nicht Absperrend	Ød	Ød1	L	L1	HEX
	06	170.06 SIOP 06	170.06 SIBP 06	170.06 SIBP 06	6mm	26	77	25	32
		170.06 SIOP 08	170.06 SIBP 08	170.06 SIBP 08	8mm	26	77	25	32
	08	170.08 SIOP 10	170.08 SIBP 10	170.08 SIBP 10	10mm	32	80	31	36
		170.08 SIOP 12	170.08 SIBP 12	170.08 SIBP 12	12mm	32	81	31	36

Y Distributor / Y Verteiler

TYPE 170



Double Shut-off is not available
Beidseitig Absperrend nicht verfügbar



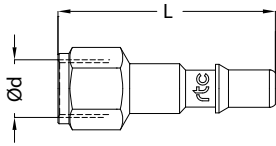
Body Size Größe	Order No Bestellnr.	Ød
03	170.03 SFOY 13	BSP 1/4
06	170.06 SFOY 13	BSP 1/4
06	170.06 SFOY 17	BSP 3/8
06	170.06 SFOY 21	BSP 1/2
08	170.08 SFOY 13	BSP 1/4
08	170.08 SFOY 17	BSP 3/8
08	170.08 SFOY 21	BSP 1/2
11	170.11 SFOY 17	BSP 3/8
11	170.11 SFOY 21	BSP 1/2
11	170.11 SFOY 26	BSP 3/4
19	170.19 SFOY 26	BSP 3/4
19	170.19 SFOY 33	BSP 1

Body Size Größe	Order No Bestellnr.	Ød
03	170.03 SHOY 06	Ø 6
06	170.06 SHOY 13	Ø 13
08	170.08 SHOY 13	Ø 13
08	170.08 SHOY 16	Ø 16
11	170.11 SHOY 13	Ø 13
11	170.11 SHOY 16	Ø 16
11	170.11 SHOY 19	Ø 19
19	170.19 SHOY 19	Ø 19
19	170.19 SHOY 25	Ø 25


Body Size Größe	Order No Bestellnr.
03	170.03 SPOY
06	170.06 SPOY
08	170.08 SPOY
11	170.11 SPOY
19	170.19 SPOY

Body Size Größe	Order No Bestellnr.
03	170.03 SPOT
06	170.06 SPOT
08	170.08 SPOT
11	170.11 SPOT
19	170.19 SPOT

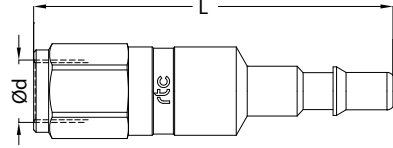
rtc TYPE 170 Plug / Nippel 




Female thread plug / Nippel mit Innengewinde

Body Size Größe	Ød	 Order No / Bestellnr. Thru-Flow Nicht Absperrend	L	HEX
03	BSP 1/8	170.03 PFF 10	35	13
	NPT 1/8	170.03 PNF 10	35	13
06	BSP 1/8	170.06 PFF 10	42	14
	BSP 1/4	170.06 PFF 13	47	17
	BSP 3/8	170.06 PFF 17	50	22
	NPT 1/8	170.06 PNF 10	44	14
	NPT 1/4	170.06 PNF 13	48	17
	NPT 3/8	170.06 PNF 17	50	22
	UN 9/16-20	170.06 PUF 1420	52	19
	M 14x1.25	170.06 PFF 14125	50	19
08	BSP 1/4	170.08 PFF 13	56	17
	BSP 3/8	170.08 PFF 17	58	22
	BSP 1/2	170.08 PFF 21	59	27
	NPT 1/4	170.08 PNF 13	57	17
	NPT 3/8	170.08 PNF 17	58	22
	NPT 1/2	170.08 PNF 21	59	27
11	BSP 1/4	170.11 PFF 13	57	19
	BSP 3/8	170.11 PFF 17	62	22
	BSP 1/2	170.11 PFF 21	66	27
	BSP 3/4	170.11 PFF 26	69	32
	NPT 3/8	170.11 PNF 17	62	22
	NPT 1/2	170.11 PNF 21	67	27
	NPT 3/4	170.11 PNF 26	69	32
13	BSP 3/8	170.13 PFF 17	62	22
	BSP 1/2	170.13 PFF 21	66	27
	NPT 3/8	170.13 PNF 17	62	22
	NPT 1/2	170.13 PNF 21	67	27
16	BSP 1/2	170.16 PFF 21	68	27
	BSP 3/4	170.16 PFF 26	71	32
	NPT 1/2	170.16 PNF 21	72	27
	NPT 3/4	170.16 PNF 26	74	32
19	BSP 3/4	170.19 PFF 26	89	36
	BSP 1	170.19 PFF 33	94	41
	NPT 3/4	170.19 PNF 26	89	36
	NPT 1	170.19 PNF 33	94	41

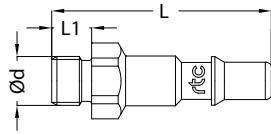
rtc TYPE 170 Plug / Nippel 




Female thread plug with valve / Verschlussnippel mit Innengewinde

Body Size Größe	Ød	 Order No / Bestellnr. Double Shut-off Beitseitig Absperrend	L	HEX
03	BSP 1/8	170.03 PFB 10	51	14
	NPT 1/8	170.03 PNB 10	51	14
	UNF 7/16-20	170.03 PUB 1120	56	14
06	BSP 1/8	170.06 PFB 10	65	17
	BSP 1/4	170.06 PFB 13	72	17
	BSP 3/8	170.06 PFB 17	72	22
	NPT 1/8	170.06 PNB 10	65	17
	NPT 1/4	170.06 PNB 13	72	17
	NPT 3/8	170.06 PNB 17	72	22
	UNF 9/16-20	170.06 PUB 1420	72	17
	M 14x1.25	170.06 PFB 14125	72	19
	08	BSP 1/4	170.08 PFB 13	80
BSP 3/8		170.08 PFB 17	80	24
BSP 1/2		170.08 PFB 21	82	24
NPT 1/4		170.08 PNB 13	80	24
NPT 3/8		170.08 PNB 17	80	24
NPT 1/2		170.08 PNB 21	84	24
UNF 3/4-16		170.08 PUB 1916	84	24
11		BSP 1/4	170.11 PFB 13	90
	BSP 3/8	170.11 PFB 17	90	30
	BSP 1/2	170.11 PFB 21	94	30
	BSP 3/4	170.11 PFB 26	99	34
	NPT 3/8	170.11 PFB 17	90	30
	NPT 1/2	170.11 PFB 21	94	30
	NPT 3/4	170.11 PFB 26	99	34
	UNF 7/8-14	170.11 PUB 2214	97	30
13	BSP 3/8	170.13 PFB 17	90	30
	BSP 1/2	170.13 PFB 21	94	30
	NPT 3/8	170.13 PNB 17	90	30
	NPT 1/2	170.13 PNB 21	94	30
16	BSP 1/2	170.16 PFB 21	107	36
	BSP 3/4	170.16 PFB 26	111	36
	NPT 1/2	170.16 PNB 21	107	36
	NPT 3/4	170.16 PNB 26	111	36
19	BSP 3/4	170.19 PFB 26	132	41
	BSP 1	170.19 PFB 33	139	41
	NPT 3/4	170.19 PNB 26	132	41
	NPT 1	170.19 PNB 33	139	41
	UNF 1-5/16-12	170.11 PUB 3312	135	41

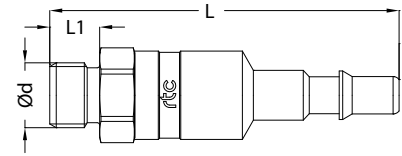
Plug / Nippel TYPE 170 




Male thread plug / Nippel mit Aussengewinde

Body Size Größe	Ød	 Order No / Bestellnr. Thru-Flow Nicht Absperrend	L	L1	HEX
03	BSP 1/8	170.03 PMF 10	37	8	14
	BSP 1/4	170.03 PMF 13	40	11	14
	NPT 1/8	170.03 PTF 10	38	9	14
	NPT 1/4	170.03 PTF 13	41	12	14
06	BSP 1/8	170.06 PMF 10	44	8	14
	BSP 1/4	170.06 PMF 13	47	11	14
	BSP 3/8	170.06 PMF 17	52	12	19
	NPT 1/8	170.06 PTF 10	45	9	14
	NPT 1/4	170.06 PTF 13	47	12	14
	NPT 3/8	170.06 PTF 17	53	14	19
08	BSP 1/4	170.08 PMF 13	55	11	17
	BSP 3/8	170.08 PMF 17	57	12	19
	BSP 1/2	170.08 PMF 21	61	14	24
	NPT 1/4	170.08 PTF 13	57	12	17
	NPT 3/8	170.08 PTF 17	57	12	19
	NPT 1/2	170.08 PTF 21	64	17	24
11	BSP 3/8	170.11 PMF 17	63	12	19
	BSP 1/2	170.11 PMF 21	68	15	24
	BSP 3/4	170.11 PMF 26	70	17	30
	NPT 3/8	170.11 PTF 17	62	12	19
	NPT 1/2	170.11 PTF 21	67	17	24
	NPT 3/4	170.11 PTF 26	70	19	27
13	BSP 3/8	170.13 PMF 17	63	12	19
	BSP 1/2	170.13 PMF 21	68	15	24
	NPT 3/8	170.13 PTF 17	62	12	19
	NPT 1/2	170.13 PTF 21	67	17	24
16	BSP 1/2	170.16 PMF 21	72	15	24
	BSP 3/4	170.16 PMF 26	76	17	30
	NPT 1/2	170.16 PTF 21	74	17	24
	NPT 3/4	170.16 PTF 26	77	19	27
19	BSP 3/4	170.19 PMF 26	95	14	36
	BSP 1	170.19 PMF 33	99	18	36
	NPT 3/4	170.19 PTF 26	100	19	36
	NPT 1	170.19 PTF 33	105	24	36

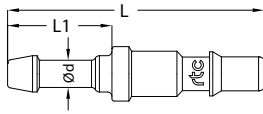
Plug / Nippel TYPE 170 



Male thread plug with valve / Verschlussnippel mit Aussengewinde

Body Size Größe	Ød	 Order No / Bestellnr. Double Shut-off Beitseitig Absperrend	L	L1	HEX
03	BSP 1/8	170.03 PMB 10	50	8	14
	BSP 1/4	170.03 PMB 13	53	11	14
	NPT 1/8	170.03 PTB 10	51	9	14
	NPT 1/4	170.03 PTB 13	54	12	14
06	BSP 1/8	170.06 PMB 10	68	8	17
	BSP 1/4	170.06 PMB 13	70	10	17
	BSP 3/8	170.06 PMB 17	72	12	19
	NPT 1/8	170.06 PTB 10	69	9	17
	NPT 1/4	170.06 PTB 13	72	12	17
	NPT 3/8	170.06 PTB 17	74	14	19
08	BSP 1/4	170.08 PMB 13	83	11	24
	BSP 3/8	170.08 PMB 17	84	12	24
	BSP 1/2	170.08 PMB 21	86	14	24
	NPT 1/4	170.08 PTB 13	84	12	24
	NPT 3/8	170.08 PTB 17	86	14	24
	NPT 1/2	170.08 PTB 21	89	17	24
11	BSP 3/8	170.11 PMB 17	95	12	30
	BSP 1/2	170.11 PMB 21	96	13	30
	BSP 3/4	170.11 PMB 26	99	16	30
	NPT 3/8	170.11 PTB 17	97	14	30
	NPT 1/2	170.11 PTB 21	99	17	30
	NPT 3/4	170.11 PTB 26	101	19	30
13	BSP 3/8	170.13 PMB 17	95	12	30
	BSP 1/2	170.13 PMB 21	96	13	30
	NPT 3/8	170.13 PTB 17	97	14	30
	NPT 1/2	170.13 PTB 21	99	17	30
16	BSP 1/2	170.16 PMB 21	118	15	36
	BSP 3/4	170.16 PMB 26	120	17	36
	NPT 1/2	170.16 PTB 21	120	17	36
	NPT 3/4	170.16 PTB 26	122	19	36
19	BSP 3/4	170.19 PMB 26	135	16	41
	BSP 1	170.19 PMB 33	139	20	41
	NPT 3/4	170.19 PTB 26	138	19	41
	NPT 1	170.19 PTB 33	143	24	41

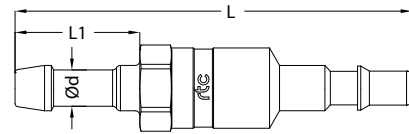
rtc TYPE 170 Plug / Nippel 



Standard hose tail plug / Nippel mit Standard - Schlauchtülle

Body Size Größe	Ød	Order No / Bestellnr. Thru-Flow Nicht Absperrend	L	L1
03	4mm	170.03 PHF 04	48	23
	6mm	170.03 PHF 06	48	23
06	4mm	170.06 PHF 04	62	23
	6mm	170.06 PHF 06	62	23
	8mm	170.06 PHF 08	62	26
	10mm	170.06 PHF 10	62	26
	13mm	170.06 PHF 13	64	28
08	6mm	170.08 PHF 06	66	28
	8mm	170.08 PHF 08	66	28
	10mm	170.08 PHF 10	66	28
	13mm	170.08 PHF 13	66	28
	16mm	170.08 PHF 16	70	33
11	6mm	170.11 PHF 06	70	26
	8mm	170.11 PHF 08	70	26
	10mm	170.11 PHF 10	70	26
	13mm	170.11 PHF 13	72	28
	16mm	170.11 PHF 16	72	28
	19mm	170.11 PHF 19	80	33
19	19mm	170.19 PHF 19	151	53
	25mm	170.19 PHF 25	153	53

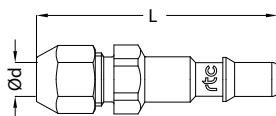
rtc TYPE 170 Plug / Nippel 



Standard hose tail plug with valve / Verschlussnippel mit Standard - Schlauchanschluss

Body Size Größe	Ød	Order No / Bestellnr. Double Shut-off Beitseitig Absperrend	L	L1
03	4mm	170.03 PHB 04	64.5	23
	6mm	170.03 PHB 06	64.5	23
06	6mm	170.06 PHB 06	87	23
	8mm	170.06 PHB 08	87	23
	10mm	170.06 PHB 10	87	26
	13mm	170.06 PHB 13	89	26
08	8mm	170.08 PHB 08	98	28
	10mm	170.08 PHB 10	98	28
	13mm	170.08 PHB 13	98	28
	16mm	170.08 PHB 16	102	33
11	13mm	170.11 PHB 13	102	28
	16mm	170.11 PHB 16	102	28
	19mm	170.11 PHB 19	120	33
19	19mm	170.19 PHB 19	191	53
	25mm	170.19 PHB 25	193	53

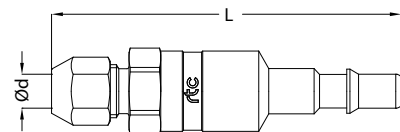
rtc TYPE 170 Plug / Nippel 



Plastic hose connection plug / Nippel mit Anschluss für Kunststoffschlauch

Body Size Größe	Ød	Order No / Bestellnr. Thru-Flow Nicht Absperrend	L	HEX
03	4x6mm	170.03 PVF 0406	42.5	14
	6x8mm	170.03 PVF 0608	42.5	14
06	4x6mm	170.06 PVF 0406	50.5	14
	6x8mm	170.06 PVF 0608	51.5	14
	8x10mm	170.06 PVF 0810	52.5	17
08	8x10mm	170.08 PVF 0810	82	19
	10x12mm	170.08 PVF 1012	82	19

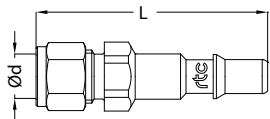
rtc TYPE 170 Plug / Nippel 



Plastic hose connection plug with valve
Verschlussnippel mit Anschluss für Kunststoffschlauch

Body Size Größe	Ød	Order No / Bestellnr. Double Shut-off Beitseitig Absperrend	L	HEX
03	4x6mm	170.03 PVB 0406	56	14
	6x8mm	170.03 PVB 0608	56	14
06	6x8mm	170.06 PVB 0608	91.5	17
	8x10mm	170.06 PVB 0810	92.5	17
08	8x10mm	170.08 PVB 0810	103	19
	10x12mm	170.08 PVB 1012	103	19

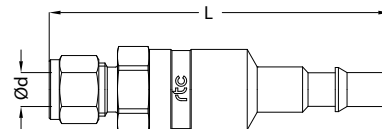
rtc TYPE 170 Plug / Nippel 



Copper tube connection plug / Nippel mit Kupferrohranschluss

Body Size Größe	Ød	Order No / Bestellnr. Thru-Flow Nicht Absperrend	L	HEX
03	4x6mm	170.03 PCF 04	42.5	14
	6x8mm	170.03 PCF 06	42.5	14
06	6x8mm	170.06 PCF 06	74	14
	8x10mm	170.06 PCF 08	74	17
08	8x10mm	170.08 PCF 08	81	19
	10x12mm	170.08 PCF 10	87	24

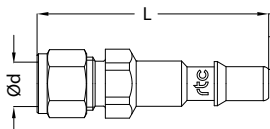
rtc TYPE 170 Plug / Nippel 



Copper tube connection plug with valve / Verschlussnippel mit Kupferrohranschluss

Body Size Größe	Ød	Order No / Bestellnr. Double Shut-off Beitseitig Absperrend	L	HEX
03	4x6mm	170.03 PCB 04	59.5	14
	6x8mm	170.03 PCB 06	59.5	14
06	6x8mm	170.06 PCB 06	91.5	17
	8x10mm	170.06 PCB 08	92.5	17
08	8x10mm	170.08 PCB 08	102	24
	10x12mm	170.08 PCB 10	108	24

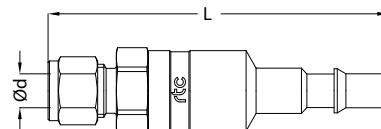
rtc TYPE 170 Plug / Nippel 



Stainless steel tube connection plug Nippel mit Edelstahlrohranschluss

Body Size Größe	Ød	Order No / Bestellnr. Thru-Flow Nicht Absperrend	L	HEX
03	6mm	170.03 PIF 06	42.5	14
	8mm	170.03 PIF 08	42.5	14
06	6mm	170.06 PIF 06	70	14
	8mm	170.06 PIF 08	70	14
	10mm	170.06 PIF 10	70	17
08	10mm	170.08 PIF 10	70	24
	12mm	170.08 PIF 12	71	24

rtc TYPE 170 Plug / Nippel 



Stainless steel tube connection plug with valve
Verschlussnippel mit Edelstahlrohranschluss

Body Size Größe	Ød	Order No / Bestellnr. Double Shut-off Beitseitig Absperrend	L	HEX
03	6mm	170.03 PIB 06	59.5	14
	8mm	170.03 PIB 08	60.5	14
06	6mm	170.06 PIB 06	81	14
	8mm	170.06 PIB 08	81	14
	10mm	170.06 PIB 10	81	17
08	10mm	170.08 PIB 10	91	24
	12mm	170.08 PIB 12	92	24

Dust Cup - Staubkappe

TYPE 170



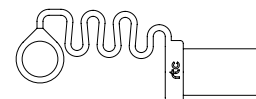
Sockets dust cup
Kupplungsstaubschutzkappe

Body Size Größe	Order No Bestellnr.
03	170.03 SD 00
06	170.06 SD 00
08	170.08 SD 00
11	170.11 SD 00
13	170.13 SD 00
16	170.16 SD 00
19	170.19 SD 00



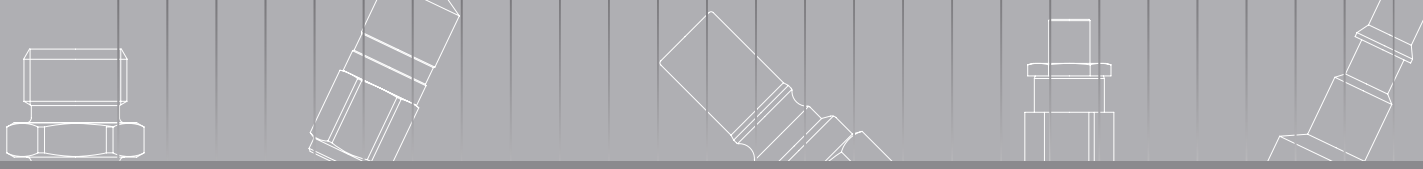
Plug dust cup
Stecknippelsschutz

Body Size Größe	Order No Bestellnr.
03	170.03 PD 00
06	170.06 PD 00
08	170.08 PD 00
11	170.11 PD 00
13	170.13 PD 00
16	170.16 PD 00
19	170.19 PD 00



Plug dust cup
Stecknippelsschutz

Body Size Größe	Order No Bestellnr.
03	170.03 PD 01
06	170.06 PD 01
08	170.08 PD 01
11	170.11 PD 01
13	170.13 PD 01
16	170.16 PD 01
19	170.19 PD 01



rtc[®]

COUPLING TECHNOLOGY



171

rtc TYPE





Temperature Range - Temperaturbereich

Nitrile (N) -20°C + 110°C (- 4°F + 230°F)

Max. Working Pressure - Max. Betriebsdruck

rtc 171.06 12 bar (175 PSI)
 rtc 171.08 16 bar (232 PSI)
 rtc 171.11 16 bar (232 PSI)

Flow size - Nennweite

rtc type 171.06 5.5 mm
 rtc type 171.08 8 mm
 rtc type 171.11 11 mm

Material

Socket Body- Kupplungsgrundkörper	Stainless steel - Edelstahl
Back part - Hinterteil	Zinc plated steel - Stahl verzinkt
Push Button - Knopf Drücken	AISI 420 hardened stainless steel - Gehärteter Edelstahl
Valve - Ventil	Brass - Messing
Springs - Federn	Stainless steel - Edelstahl
Seal - Dichtung	Nitrile (N)
Plug - Nippel	AISI 420 hardened stainless steel - Gehärteter Edelstahl

Technical Specifications

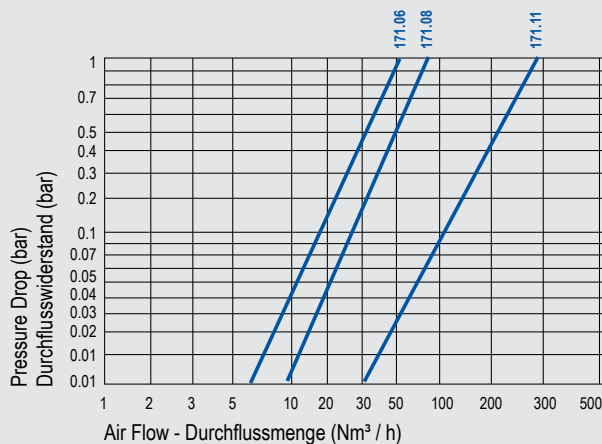
- The system perfectly fits to the ISO 4414, EN 983 safety requirements
- Plug profile perfectly fits to the ISO 6150-C-10, AFNOR C-10 NF E 49-053
- 2 stage disconnection safety feature
- Optimised Size
- Coupling and plug, the system, is anti-corrosive

Technische Spezifikationen

- Sicherheit gemäß ISO 4414, EN 983
- Stecknippel gemäß ISO 6150-C-10, AFNOR C-10 NF E 49-053
- 2 stufen Sicherheitsentriegelung
- Kompakte Bauform
- Kupplung und Nippel, sind korrosionsbeständig.



Flow Rate vs Pressure Drop Graph / Durchflussrate vs Druckabfall



171
rtc TYPE

rtc TYPE 171

Female thread socket / Kupplung mit Innengewinde



Socket / Kupplung	Size Größe	Order No / Bestellnr.	Ød	Ød1	L	HEX.
	06	171.06 SFO 10	BSP 1/8	22	48.5	20
		171.06 SFO 13	BSP 1/4	22	51.5	20
		171.06 SFO 17	BSP 3/8	22	54.5	20
		171.06 SFO 21	BSP 1/2	22	58.5	24
		171.06 SNO 13	NPT 1/4	22	55.5	20
		171.06 SNO 17	NPT 3/8	22	56.5	20
	08	171.08 SFO 13	BSP 1/4	27	69.5	24
		171.08 SFO 17	BSP 3/8	27	69.5	24
		171.08 SFO 21	BSP 1/2	27	72.5	24
		171.08 SNO 17	NPT 3/8	27	70.5	24
		171.08 SNO 21	NPT 1/2	27	77.5	24
	11	171.11 SFO 17	BSP 3/8	33	77.5	14
		171.11 SFO 21	BSP 1/2	33	78	14
		171.11 SFO 26	BSP 3/4	33	82.5	14
		171.11 SNO 21	NPT 1/2	33	83.5	14

rtc TYPE 171

Male thread socket / Kupplung mit Aussengewinde



Socket / Kupplung	Size Größe	Order No / Bestellnr.	Ød	Ød1	L	L1	HEX.
	06	171.06 SMO 10	BSP 1/8	22	52.5	8	20
		171.06 SMO 13	BSP 1/4	22	54.5	10	20
		171.06 SMO 17	BSP 3/8	22	54.5	10	20
		171.06 SMO 21	BSP 1/2	22	56.5	12	22
		171.06 STO 13	NPT 1/4	22	56.5	12	20
		171.06 STO 17	NPT 3/8	22	57.5	13	20
	08	171.08 SMO 13	BSP 1/4	27	69.5	10	24
		171.08 SMO 17	BSP 3/8	27	69.5	10	24
		171.08 SMO 21	BSP 1/2	27	71.5	12	24
		171.08 STO 17	NPT 3/8	27	71.5	13	24
		171.08 STO 21	NPT 1/2	27	76.5	17	24
	11	171.11 SMO 17	BSP 3/8	33	82.5	10	30
		171.11 SMO 21	BSP 1/2	33	86.5	12	30
		171.11 SMO 26	BSP 3/4	33	88.5	16	30
		171.11 STO 21	NPT 1/2	33	89.5	17	30

rtc TYPE 171

Standard hose tail socket / Kupplung mit gerader Standard - Schlauchtülle



Socket / Kupplung	Size Größe	Order No / Bestellnr.	Ød	Ød1	L	L1
	06	171.06 SHO 06	6 mm	22	67.5	23
		171.06 SHO 08	8 mm	22	67.5	23
		171.06 SHO 10	10 mm	22	70.5	26
		171.06 SHO 13	13 mm	22	70.5	26
	08	171.08 SHO 08	8 mm	27	82.5	23
		171.08 SHO 10	10 mm	27	85.5	26
		171.08 SHO 13	13 mm	27	85.5	26
		171.08 SHO 16	16 mm	27	85.5	26
	11	171.11 SHO 13	13 mm	33	93.5	26
		171.11 SHO 16	16 mm	33	93.5	26
		171.11 SHO 19	19 mm	33	97.5	30



Socket with Plastic Hose Connection / Kupplung mit Kunststoffschlauchanschluss

TYPE 171



Socket / Kupplung	Size Größe	Order No / Bestellnr.	Ød	Ød1
	06	171.06 SVOG 0610	6.5x10	22
		171.06 SVOG 0812	8x12	22
	08	171.08 SVOG 0812	8x12	27
		171.08 SVOG 1116	11x16	27
	11	171.11 SVOG 1116	11x16	33



Female thread panel mounted socket / Kupplung mit Innengewinde Schottanschluss

TYPE 171

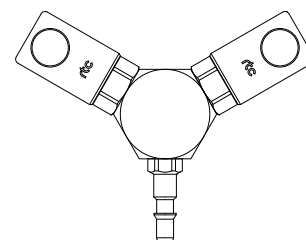
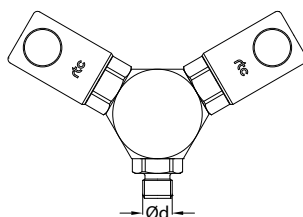
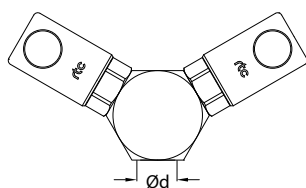


Socket / Kupplung	Size Größe	Order No / Bestellnr.	Ød	Ød1	Ød2	L	L1	HEX.
	06	171.06 SFOP 10	BSP 1/8	22	27	22.5	4	32
		171.06 SFOP 13	BSP 1/4	22	27	22.5	4	32
		171.06 SFOP 17	BSP 3/8	22	27	22.5	4	32
	08	171.08 SFOP 13	BSP 1/4	27	33	31	11.5	36
		171.08 SFOP 17	BSP 3/8	27	33	31	11.5	36
		171.08 SFOP 21	BSP 1/2	27	33	31	11.5	36
	11	171.11 SFOP 17	BSP 3/8	33	39	50	12.5	41
		171.11 SFOP 21	BSP 1/2	33	39	50	12.5	41
		171.11 SFOP 26	BSP 3/4	33	39	50	12.5	41



Y Distributor / Y Verteiler

TYPE 171



Body Size Größe	Order No Bestellnr.	Ød
06	171.06 SFOY 13	BSP 1/4
	171.06 SFOY 17	BSP 3/8
	171.06 SFOY 21	BSP 1/2
08	171.08 SFOY 17	BSP 3/8
	171.08 SFOY 21	BSP 1/2
11	171.11 SFOY 17	BSP 3/8
	171.11 SFOY 21	BSP 1/2

Body Size Größe	Order No Bestellnr.	Ød
06	171.06 SMOY 13	BSP 1/4
	171.06 SMOY 17	BSP 3/8
	171.06 SMOY 21	BSP 1/2
08	171.08 SMOY 17	BSP 3/8
	171.08 SMOY 21	BSP 1/2
11	171.11 SMOY 17	BSP 3/8
	171.11 SMOY 21	BSP 1/2

Body Size Größe	Order No Bestellnr.
06	171.06 SPOY
08	171.08 SPOY
11	171.11 SPOY

rtc TYPE 171

Female thread plug / Nippel mit Innengewinde



Plug / Nippel	Size Größe	Order No / Bestellnr.	Ød	Ød1	L	HEX.
	06	170.06 PFF 10	BSP 1/8	7.5	42	14
		170.06 PFF 13	BSP 1/4	7.5	47	17
		170.06 PFF 17	BSP 3/8	7.5	50	22
		170.06 PNF 13	NPT 1/4	7.5	48	14
		170.06 PNF 17	NPT 3/8	7.5	49	17
	08	170.08 PFF 13	BSP 1/4	11	56	17
		170.08 PFF 17	BSP 3/8	11	58	22
		170.08 PFF 21	BSP 1/2	11	59	27
		170.08 PNF 17	NPT 3/8	11	58	22
		170.08 PNF 21	NPT 1/2	11	59	27
11	170.11 PFF 17	BSP 3/8	14	62	22	
	170.11 PFF 21	BSP 1/2	14	66	27	
	170.11 PFF 26	BSP 3/4	14	69	32	
	170.11 PNF 21	NPT 1/2	14	67	27	

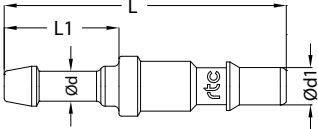
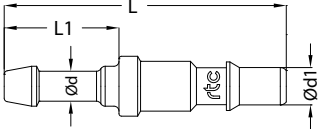
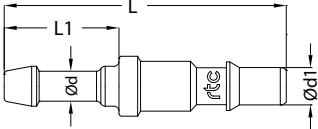
rtc TYPE 171

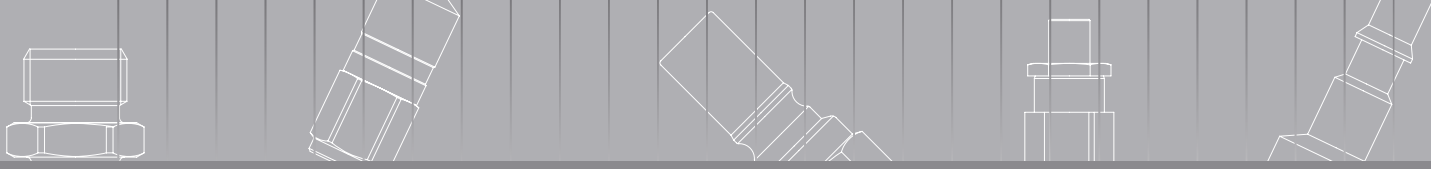
Male thread plug / Nippel mit Aussengewinde



Plug / Nippel	Size Größe	Order No / Bestellnr.	Ød	Ød1	L	L1	HEX.
	06	170.06 PMF 10	BSP 1/8	7.5	44	8	14
		170.06 PMF 13	BSP 1/4	7.5	47	11	14
		170.06 PMF 17	BSP 3/8	7.5	52	12	19
		170.06 PTF 13	NPT 1/4	7.5	47	12	14
	08	170.08 PMF 13	BSP 1/4	11	55	11	17
		170.08 PMF 17	BSP 3/8	11	57	12	19
		170.08 PMF 21	BSP 1/2	11	61	14	24
		170.08 PTF 17	NPT 3/8	11	57	12	19
		170.08 PTF 21	NPT 1/2	11	64	17	24
	11	170.11 PMF 17	BSP 3/8	14	63	12	19
170.11 PMF 21		BSP 1/2	14	68	15	24	
170.11 PMF 26		BSP 3/4	14	70	17	30	
170.11 PTF 21		NPT 1/2	14	67	17	24	



Plug / Nippel	Size Größe	Order No / Bestellnr.	Ød	Ød1	L	L1
	06	170.06 PHF 06	6 mm	7.5	56	23
		170.06 PHF 08	8 mm	7.5	56	23
		170.06 PHF 10	10 mm	7.5	56	23
		170.06 PHF 13	13 mm	7.5	60	26
	08	170.08 PHF 08	8 mm	11	62	23
		170.08 PHF 10	10 mm	11	62	23
		170.08 PHF 13	13 mm	11	66	26
		170.08 PHF 16	16 mm	11	66	26
	11	170.11 PHF 10	10 mm	14	71	26
		170.11 PHF 13	13 mm	14	71	26
		170.11 PHF 16	16 mm	14	72	26
		170.11 PHF 19	19 mm	14	85	37



rtc[®]

COUPLING TECHNOLOGY



172

rtc TYPE





Temperature Range - Temperaturbereich

Nitrile (N) -20°C + 110°C (-4°F + 230°F)

Max. Working Pressure - Max. Betriebsdruck

rtc 172.06 12 bar (175 PSI)

rtc 172.08 16 bar (232 PSI)

Flow size - Nennweite

rtc type 172.06 5.5 mm

rtc type 172.08 8 mm

Material

Socket Body- Kupplungsgrundkörper	Aluminium with Plastic Cover - Messing mit Kunststoffabdeckung
Back part - Hinterteil	Zinc plated steel - Stahl verzinkt
Push Button - Knopf Drücken	AISI 420 hardened stainless steel - Gehärteter Edelstahl
Valve - Ventil	Brass - Messing
Springs - Federn	Stainless steel - Edelstahl
Seal - Dichtung	Nitrile (N)

Plug - Nippel	AISI 420 hardened stainless steel - Gehärteter Edelstahl
------------------	---

Technical Specifications

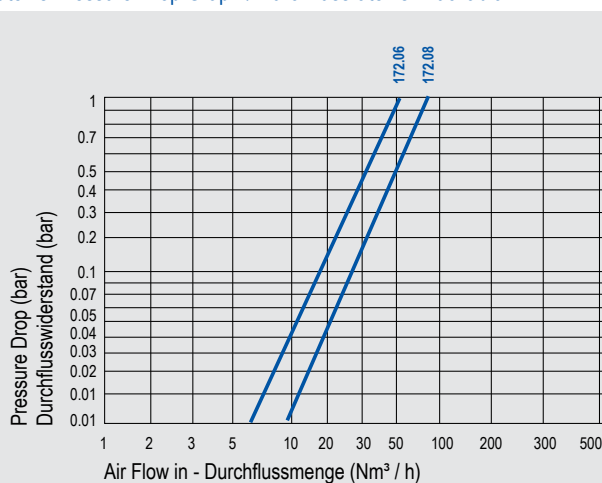
- The system perfectly fits to the ISO 4414, EN 983 safety requirements
- Plug profile perfectly fits to the ISO 6150-C-10, AFNOR C-10 NF E 49-053
- 2 stage disconnection safety feature
- Optimised Size
- Coupling and plug, the system, is anti-corrosive

Technische Spezifikationen

- Sicherheit gemäß ISO 4414, EN 983
- Stecknippel gemäß ISO 6150-C-10, AFNOR C-10 NF E 49-053
- 2 stufen Sicherheitsentriegelung
- Kompakte Bauform
- Kupplung und Nippel, sind korrosionsbeständig.



Flow Rate vs Pressure Drop Graph / Durchflussrate vs Druckabfall



172
rtc TYPE

rtc TYPE 172

Female thread socket / Kupplung mit Innengewinde



Socket / Kupplung	Size Größe	Order No / Bestellnr.	Ød	Ød1	L	HEX.
	06	172.06 SFO 10	BSP 1/8	28	50.5	20
		172.06 SFO 13	BSP 1/4	28	53.5	20
		172.06 SFO 17	BSP 3/8	28	56.5	20
		172.06 SFO 21	BSP 1/2	28	60.5	24
		172.06 SNO 13	NPT 1/4	28	57.5	20
		172.06 SNO 17	NPT 3/8	28	58.5	20
	08	172.08 SFO 13	BSP 1/4	31	71.5	24
		172.08 SFO 17	BSP 3/8	31	71.5	24
		172.08 SFO 21	BSP 1/2	31	74.5	24
		172.08 SNO 17	NPT 3/8	31	72.5	24
		172.08 SNO 21	NPT 1/2	31	79.5	24

rtc TYPE 172

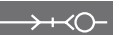
Male thread socket / Kupplung mit Aussengewinde



Socket / Kupplung	Size Größe	Order No / Bestellnr.	Ød	Ød1	L	L1	HEX.
	06	172.06 SMO 10	BSP 1/8	28	54.5	8	20
		172.06 SMO 13	BSP 1/4	28	56.5	10	20
		172.06 SMO 17	BSP 3/8	28	56.5	10	20
		172.06 SMO 21	BSP 1/2	28	58.5	12	22
		172.06 STO 13	NPT 1/4	28	58.5	12	20
		172.06 STO 17	NPT 3/8	28	59.5	13	20
	08	172.08 SMO 13	BSP 1/4	31	71.5	10	24
		172.08 SMO 17	BSP 3/8	31	71.5	10	24
		172.08 SMO 21	BSP 1/2	31	73.5	12	24
		172.08 STO 17	NPT 3/8	31	73.5	13	24
		172.08 STO 21	NPT 1/2	31	78.5	17	24

rtc TYPE 172

Standard hose tail socket / Kupplung mit gerader Standard - Schlauchtülle



Socket / Kupplung	Size Größe	Order No / Bestellnr.	Ød	Ød1	L	L1
	06	172.06 SHO 06	6 mm	28	69.5	23
		172.06 SHO 08	8 mm	28	69.5	23
		172.06 SHO 10	10 mm	28	72.5	26
		172.06 SHO 13	13 mm	28	72.5	26
	08	172.08 SHO 08	8 mm	31	84.5	23
		172.08 SHO 10	10 mm	31	87.5	26
		172.08 SHO 13	13 mm	31	87.5	26
		172.08 SHO 16	16 mm	31	87.5	26

rtc TYPE 172

Socket with Plastic Hose Connection / Kupplung mit Kunststoffschlauchanschluss



Sockets / Kupplungen	Size Größe	Order No / Bestellnr.	Ød	Ød1
	06	172.06 SVOG 0610	6.5x10	28
		172.06 SVOG 0812	8x12	28
	08	172.08 SVOG 0812	8x12	31
		172.08 SVOG 1116	11x16	31



Female thread plug / Nippel mit Innengewinde

TYPE 172 **rtc**

Plug / Nippel	Size Größe	Order No / Bestellnr.	Ød	Ød1	L	HEX.
	06	170.06 PFF 10	BSP 1/8	7.5	42	14
		170.06 PFF 13	BSP 1/4	7.5	47	17
		170.06 PFF 17	BSP 3/8	7.5	50	22
		170.06 PNF 13	NPT 1/4	7.5	48	14
		170.06 PNF 17	NPT 3/8	7.5	49	17
	08	170.08 PFF 13	BSP 1/4	11	56	17
		170.08 PFF 17	BSP 3/8	11	58	22
		170.08 PFF 21	BSP 1/2	11	59	27
		170.08 PNF 17	NPT 3/8	11	58	22
		170.08 PNF 21	NPT 1/2	11	59	27



Male thread plug / Nippel mit Aussengewinde

TYPE 172 **rtc**

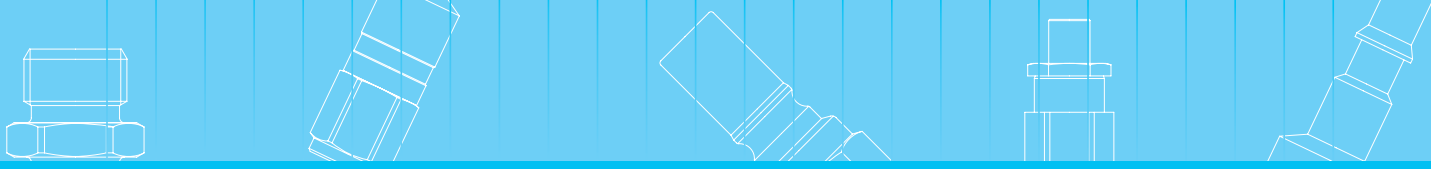
Plug / Nippel	Size Größe	Order No / Bestellnr.	Ød	Ød1	L	L1	HEX.
	06	170.06 PMF 10	BSP 1/8	7.5	44	8	14
		170.06 PMF 13	BSP 1/4	7.5	47	11	14
		170.06 PMF 17	BSP 3/8	7.5	52	12	19
		170.06 PTF 13	NPT 1/4	7.5	47	12	14
	08	170.08 PMF 13	BSP 1/4	11	55	11	17
		170.08 PMF 17	BSP 3/8	11	57	12	19
		170.08 PMF 21	BSP 1/2	11	61	14	24
		170.08 PTF 17	NPT 3/8	11	57	12	19
		170.08 PTF 21	NPT 1/2	11	64	17	24



Standard hose tail plug / Nippel mit gerader Standard - Schlauchtülle

TYPE 172 **rtc**

Plug / Nippel	Size Größe	Order No / Bestellnr.	Ød	Ød1	L	L1
	06	170.06 PHF 06	6 mm	7.5	56	23
		170.06 PHF 08	8 mm	7.5	56	23
		170.06 PHF 10	10 mm	7.5	56	23
		170.06 PHF 13	13 mm	7.5	60	26
	08	170.08 PHF 08	8 mm	11	62	23
		170.08 PHF 10	10 mm	11	62	23
		170.08 PHF 13	13 mm	11	66	26
		170.08 PHF 16	16 mm	11	66	26



rtc[®]

COUPLING TECHNOLOGY



173

rtc TYPE

rtc 173 type automatic Coupling systems are applicable for quick changing of injection moulding and die cast molds.

rtc 173 Typ Andock Kupplungssysteme sind für den schnellen Wechsel von Spritzguss-und Druckgusswerkzeugen.



Temperature Range - Temperaturbereich

Nitrile (N)	-20°C + 110°C (-4°F + 230°F)
FPM (V)	-20°C + 180°C (-4°F + 356°F)
EPDM (Ethylene Propylene)	-40°C + 150°C (-40°F + 302°F)
PTFE (T)	-20°C + 270°C (-4°F + 518°F)
FFKM (W)	-20°C + 325°C (-4°F + 617°F)

Flow size - Nennweite

rtc type 173.03	3 mm
rtc type 173.06	5.5 mm
rtc type 173.08	8 mm
rtc type 173.11	11 mm
rtc type 173.19	19 mm

Standard Types:

Material

Socket body; AISI 303 stainless steel
others are mostly %17 choremium steel

Socket back adaptor; Steel Zink Plated

IA Types:

Material

Socket body; AISI 303 stainless steel
Socket back adaptor; AISI 303 stainless steel

Plug body high resistance stainless steel

HL & HG Types:

Material

Socket body; AISI 303 stainless steel
Socket back adaptor; AISI 303 stainless steel
Others parts mainly AISI 316L stainless steel

Plug body high resistance stainless steel

HI Types:

Material

Socket body; AISI 316L stainless steel

Plug body high resistance stainless steel

IC Types:

Material

AISI 316L stainless steel

VA Types:

Vacuum

Vacuum tightness: $1 \cdot 10^{-3} \text{ cm}^3 / \text{s}$.
in connected and disconnected position.

Standardtypen:

Material

Kupplung Grundkörper aus Edelstahl AISI 303 andere sind meist 17% Chromstahl

Kupplung Hinterteil: Stahl verzinkt

IA Typen:

Material

Kupplung Grundkörper; AISI 303 Edelstahl
Kupplung Hinterteil, AISI 303 Edelstahl

Nippel Grundkörper aus widerstandsfähigen Edelstahl

HL & HG Typen:

Material

Kupplung Grundkörper; AISI 303 Edelstahl
Kupplung Hinterteil, AISI 303 Edelstahl
Andere Teile hauptsächlich aus Edelstahl AISI 316L

Nippel Grundkörper aus widerstandsfähigen Edelstahl

HI Typen:

Material

Kupplung Grundkörper; Edelstahl AISI 316L

Nippel Grundkörper aus widerstandsfähigen Edelstahl

IC Typen:

Material

Edelstahl AISI 316L

VA Typen:

Vakuum

Vakuumdichtigkeit: $1 \cdot 10^{-3} \text{ cm}^3 / \text{s}$.
in Verbindung und Trennstellung.



Docking Coupling
Andock Kupplung

Using Area

- On temperature regulation applications with air, hot or cold water, etc.
- Injection moulding industries.
- On steam line.
- Docking systems.

Anwendungsbereiche

- Werkzeugtemperierung / Kühlung. Luft, kalt oder Heisswasser
- Kunststoffindustrie
- Dampfanwendungen
- Andocksysteme

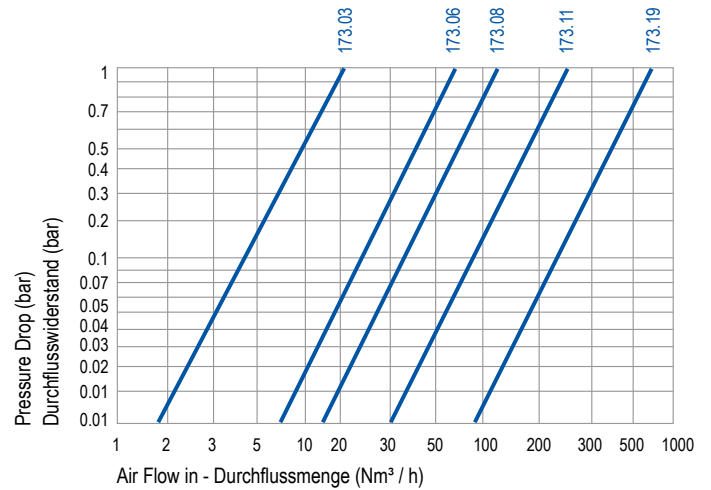
173
rtc TYPE



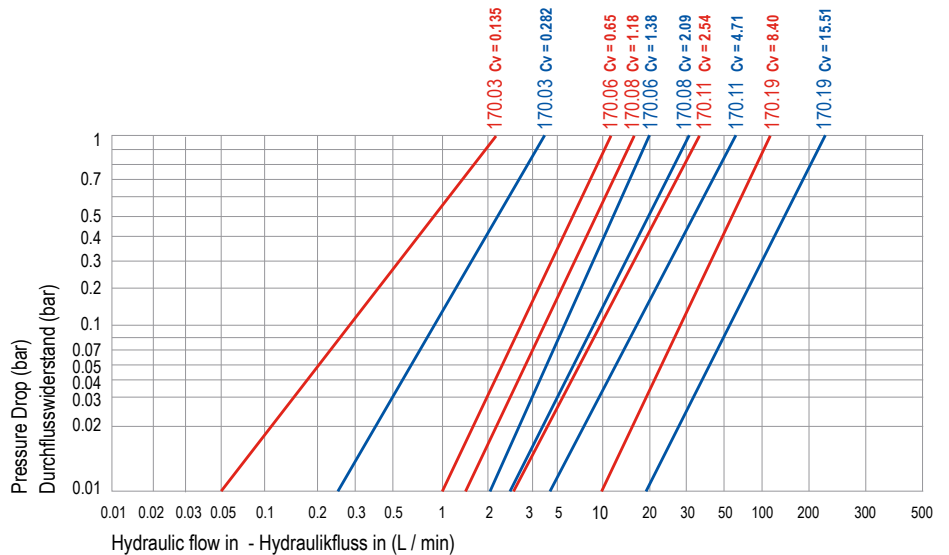
Nominal Ø Nennweite Ø	Flow Area Fläche	Maximum Working Pressure (Bar) - Maximaler Betriebsdruck (Bar)						
		Standart Type	IA Type	IC Type	HL Type	HG Type	HI Type	VA Type
3 mm	7 mm ²	50	50	250	400	400	400	10 ⁻³ torr
5.5 mm	24 mm ²	50	50	250	450	450	450	10 ⁻³ torr
8 mm	50 mm ²	50	50	250	400	400	400	10 ⁻³ torr
11 mm	95 mm ²	50	50	200	350	350	350	10 ⁻³ torr
19 mm	284 mm ²	50	50	200	300	300	300	10 ⁻³ torr

Pneumatic charts flow rate Pressure Drop from the single shut-off system

Durchflussdiagramm Pneumatik Druckabfall Version einseitig absperrend



Hydraulic charts flow rate, pressure drop
Durchflussdiagramm Hydraulik, Druckabfall

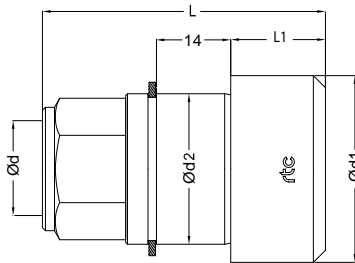




Female thread socket / Kupplung mit Innengewinde

TYPE 173 **rtc**



Socket / Kupplung	Size Größe (mm)	→+←○	○+←○	→+←←	Ød	Ød1	Ød2	L	L1	HEX
		Order No / Bestellnr. Single Shut-off Einseitig Absperrend	Order No / Bestellnr. Double Shut-off Beidseitig Absperrend	Order No / Bestellnr. Thru-Flow Nicht Absperrend						
03		173.03 SFO 10	173.03 SFB 10	173.03 SFF 10	BSP 1/8	22	16	42.5	9	14
		173.03 SNO 10	173.03 SNB 10	173.03 SNF 10	NPT 1/8	22	16	42.5	9	14
		173.03 SUO 1120	173.03 SUB 1120	173.03 SUF 1120	UNF 7/16-20	22	16	42.5	9	14
06		173.06 SFO 10	173.06 SFB 10	173.06 SFF 10	BSP 1/8	32	26	49.5	20.5	22
		173.06 SFO 13	173.06 SFB 13	173.06 SFF 13	BSP 1/4	32	26	52.5	20.5	22
		173.06 SFO 17	173.06 SFB 17	173.06 SFF 17	BSP 3/8	32	26	60.5	20.5	22
		173.06 SFO 21	173.06 SFB 21	173.06 SFF 21	BSP 1/2	32	26	63.5	20.5	24
		173.06 SNO 10	173.06 SNB 10	173.06 SNF 10	NPT 1/8	32	26	47.5	20.5	22
		173.06 SNO 13	173.06 SNB 13	173.06 SNF 13	NPT 1/4	32	26	51.5	20.5	22
		173.06 SNO 17	173.06 SNB 17	173.06 SNF 17	NPT 3/8	32	26	60.5	20.5	22
		173.06 SUO 1418	173.06 SUB 1418	173.06 SUF 1418	UN 9/16-18	32	26	59.5	20.5	22
08		173.08 SFO 13	173.08 SFB 13	173.08 SFF 13	BSP 1/4	38	32	65	20	27
		173.08 SFO 17	173.08 SFB 17	173.08 SFF 17	BSP 3/8	38	32	65	20	27
		173.08 SFO 21	173.08 SFB 21	173.08 SFF 21	BSP 1/2	38	32	74	20	27
		173.08 SNO 13	173.08 SNB 13	173.08 SNF 13	NPT 1/4	38	32	64	20	27
		173.08 SNO 17	173.08 SNB 17	173.08 SNF 17	NPT 3/8	38	32	64	20	27
		173.08 SNO 21	173.08 SNB 21	173.08 SNF 21	NPT 1/2	38	32	74	20	27
		173.08 SUO 1916	173.08 SUB 1916	173.08 SUF 1916	UN 3/4-16	38	32	76.5	20	27
	11		173.11 SFO 17	173.11 SFB 17	173.11 SFB 17	BSP 3/8	45	38	76	14.4
		173.11 SFO 21	173.11 SFB 21	173.11 SFB 21	BSP 1/2	45	38	78	14.4	32
		173.11 SFO 26	173.11 SFB 26	173.11 SFB 26	BSP 3/4	45	38	86	14.4	34
		173.11 SNO 17	173.11 SNB 17	173.11 SNB 17	NPT 3/8	45	38	74	14.4	32
		173.11 SNO 21	173.11 SNB 21	173.11 SNB 21	NPT 1/2	45	38	76	14.4	32
		173.11 SNO 26	173.11 SNB 26	173.11 SNB 26	NPT 3/4	45	38	80	14.4	34
		173.11 SUO 2214	173.11 SUB 2214	173.11 SUB 2214	UN 7/8-14	45	38	86	14.4	32
19		173.19 SFO 26	173.19 SFB 26	173.19 SFF 26	BSP 3/4	60	54	119	9	46
		173.19 SFO 33	173.19 SFB 33	173.19 SFF 33	BSP 1	60	54	121	9	46
		173.19 SNO 26	173.19 SNB 26	173.19 SNF 26	NPT 3/4	60	54	123	9	46
		173.19 SNO 33	173.19 SNB 33	173.19 SNF 33	NPT 1	60	54	125	9	46

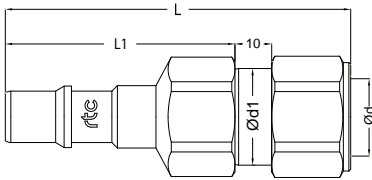


rtc TYPE 173

Female thread plug / Nippel mit Innengewinde



Plug / Nippel	Size Größe (mm)			Ød	Ød1	L	L1	HEX
		Order No / Bestellnr. Double Shut-off Beidseitig Absperrend	Order No / Bestellnr. Thru-Flow Nicht Absperrend					
03	03	173.03 PFB 10	173.03 PFF 10	BSP 1/8	15.8	51	29	14
		173.03 PNB 10	173.03 PNF 10	NPT 1/8	15.8	51	29	14
		173.03 PUB 1120	173.03 PUF 1120	UNF 7/16-20	15.8	56	29	14
06	06	173.06 PFB 10	173.06 PFF 10	BSP 1/8	16	65	43	17
		173.06 PFB 13	173.06 PFF 13	BSP 1/4	16	72	43	17
		173.06 PFB 17	173.06 PFF 17	BSP 3/8	16	72	43	22
		173.06 PNB 10	173.06 PNF 10	NPT 1/8	16	67	43	17
		173.06 PNB 13	173.06 PNF 13	NPT 1/4	16	72	43	17
		173.06 PNB 17	173.06 PNF 17	NPT 3/8	16	72	43	22
		173.06 PFB 1615	173.06 PFF 1615	M16x1.5	16	72	43	19
		173.06 PUB 1418	173.06 PUF 1418	UN 9/16-18	16	72	43	17
08	08	173.08 PFB 13	173.08 PFF 13	BSP 1/4	21.5	80	52	24
		173.08 PFB 17	173.08 PFF 17	BSP 3/8	21.5	80	52	24
		173.08 PFB 21	173.08 PFF 21	BSP 1/2	21.5	82	52	24
		173.08 PNB 13	173.08 PNF 13	NPT 1/4	21.5	80	52	24
		173.08 PNB 17	173.08 PNF 17	NPT 3/8	21.5	80	52	24
		173.08 PNB 21	173.08 PNF 21	NPT 1/2	21.5	84	52	24
		173.08 PUB 1916	173.08 PUF 1916	UN 3/4-16	21.5	84	52	24
		11	11	173.11 PFB 13	173.11 PFF 13	BSP 1/4	26.4	90
173.11 PFB 17	173.11 PFF 17			BSP 3/8	26.4	90	62.5	30
173.11 PFB 21	173.11 PFF 21			BSP 1/2	26.4	94	62.5	30
173.11 PFB 26	173.11 PFF 26			BSP 3/4	26.4	99	62.5	34
173.11 PNB 17	173.11 PNF 17			NPT 3/8	26.4	90	62.5	30
173.11 PNB 21	173.11 PNF 21			NPT 1/2	26.4	94	62.5	30
173.11 PNB 26	173.11 PNF 26			NPT 3/4	26.4	99	62.5	34
173.11 PUB 2214	173.11 PUF 2214			UN 7/8-14	26.4	97	62.5	30
19	19	173.19 PFB 26	173.19 PFF 26	BSP 3/4	39	132	88	41
		173.19 PFB 33	173.19 PFF 33	BSP 1	39	139	88	41
		173.19 PNB 26	173.19 PNF 26	NPT 3/4	39	132	88	41
		173.19 PNB 33	173.19 PNF 33	NPT 1	39	139	88	41
		173.19 PUB 3312	173.19 PUF 3312	UN 1-5/16-12	39	139	88	41





rtc[®]

COUPLING TECHNOLOGY



200

rtc TYPE



Temperature Range - Temperaturbereich

Nitrile (N)	-20°C + 100°C (- 4°F + 212°F)
FPM (V)	-20°C + 180°C (- 4°F + 356°F)
EPDM (Ethylene Propylene)	-40°C + 150°C (- 40°F + 302°F)

Max. Working Pressure - Max. Betriebsdruck

Please Check the individual tables

Flow size - Nennweite

rtc 200.04	4 mm
rtc 200.05	6 mm
rtc 200.06	6 mm
rtc 200.07	7 mm
rtc 200.09	9 mm
rtc 200.12	12 mm
rtc 200.19	19 mm
rtc 200.32	32 mm
rtc 200.50	50 mm

Material of Brass Coupler - MS Version

Material für die Messingversion - MS Version

Socket body - Kupplungsgrundkörper	Brass - Messing
Valve - Ventil	Brass - Messing
Springs - Federn	Stainless Steel - Edelstahl
Balls - Kugeln	Stainless Steel - Edelstahl
Locking Ring - Sprengring	Stainless Steel - Edelstahl

Plug - Nippel Brass - Messing

Material of Steel Coupler - ST Version

Material für die Stahlversion - ST Version

Socket body - Kupplungsgrundkörper	Steel zinc plated - Stahl verzinkt
Valve - Ventil	Brass - Messing
Springs - Federn	Stainless Steel - Edelstahl
Balls - Kugeln	Stainless Steel - Edelstahl
Locking Ring - Sprengring	Stainless Steel - Edelstahl

Plug - Nippel Steel zinc plated -
Stahl verzinkt

Compatible - Kompatibilität

rtc 200.04	LP-004
rtc 200.05	LP-006
rtc 200.06	SP-006
rtc 200.07	LP-007
rtc 200.09	SP-009
rtc 200.12	LP-012
rtc 200.19	LP-019
rtc 200.32	LP-032
rtc 200.50	LP-050

Options / Optionen	Add	Example Code
Brass Messing	MS	200.04 SMB 13- MS
Steel Stahl	ST	200.04 SMB 13- ST
Stainless Steel AISI 303 Edelstahl AISI 303	S3	200.04 SMB 13- S3
Stainless Steel AISI 316L Edelstahl AISI 316L	S6	200.04 SMB 13- S6
Nickel Plated Vernickelt	NI	200.04 SMB 13- MS-NI
Zinc Nickel Plated Zink Nickel Beschichtung	CN	200.04 SMB 13- MS-CN
Chromium Plated Verchromt	CH	200.04 SMB 13- MS-CH
Chemical Nickel Plated Chemisch Vernickelt	KN	200.04 SMB 13- ST-KN
Safety Sicherheit	S	200.04 SMB 13- ST-S



rtc TYPE 200.04

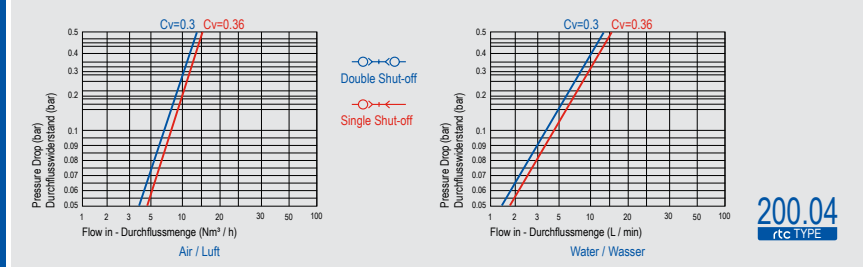
Sockets & Plugs / Kupplungen & Nippel



Compatible: LP-004

Technical Spec. - Technische Daten	Brass - MS	Stainless - S3	Steel - ST
Nominal Ø (mm) - Nennweite Ø (mm)	4 mm	4 mm	4 mm
Nominal Area (mm ²) - Fläche (mm ²)	13 mm ²	13 mm ²	13 mm ²
Maximum Working Pressure (Bar - PSI)	20 bar	20 bar	60 bar
Maximaler Betriebsdruck (Bar - PSI)	290 PSI	290 PSI	870 PSI

Flow Rate vs Pressure Drop Graph / Durchflussrate vs Druckabfall



200.04
rtc TYPE

rtc TYPE 200.05

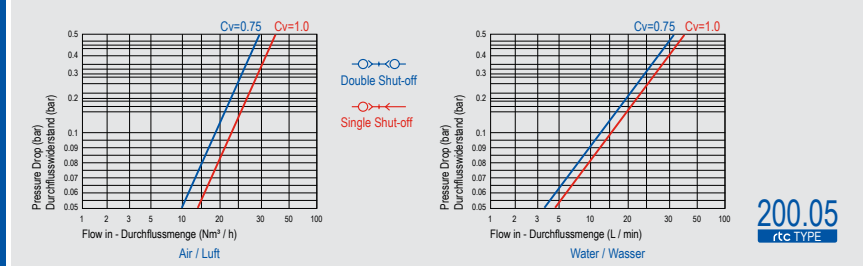
Sockets & Plugs / Kupplungen & Nippel



Compatible: LP-006

Technical Spec. - Technische Daten	Brass - MS	Stainless - S3	Steel - ST
Nominal Ø (mm) - Nennweite Ø (mm)	6 mm	6 mm	6 mm
Nominal Area (mm ²) - Fläche (mm ²)	30 mm ²	30 mm ²	30 mm ²
Maximum Working Pressure (Bar - PSI)	40 bar	40 bar	60 bar
Maximaler Betriebsdruck (Bar - PSI)	580 PSI	580 PSI	870 PSI

Flow Rate vs Pressure Drop Graph / Durchflussrate vs Druckabfall



200.05
rtc TYPE

rtc TYPE 200.06

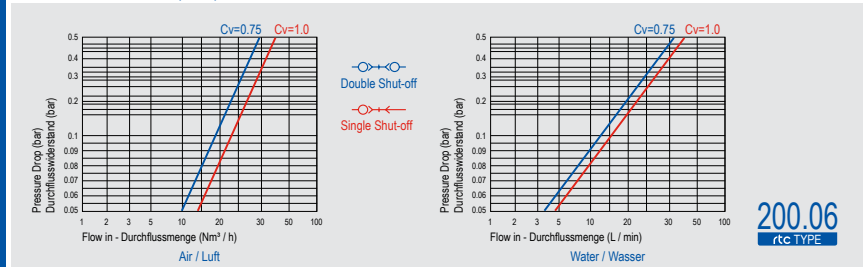
Sockets & Plugs / Kupplungen & Nippel



Compatible: SP-006

Technical Spec. - Technische Daten	Brass - MS	Stainless - S3	Steel - ST
Nominal Ø (mm) - Nennweite Ø (mm)	6 mm	6 mm	6 mm
Nominal Area (mm ²) - Fläche (mm ²)	30 mm ²	30 mm ²	30 mm ²
Maximum Working Pressure (Bar - PSI)	60 bar	60 bar	100 bar
Maximaler Betriebsdruck (Bar - PSI)	870 PSI	870 PSI	1450 PSI

Flow Rate vs Pressure Drop Graph / Durchflussrate vs Druckabfall



200.06
rtc TYPE

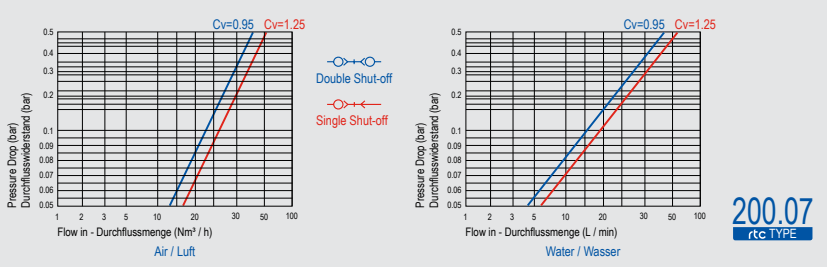


Sockets & Plugs / Kupplungen & Nippel

TYPE 200.07 **rtc**

Technical Spec. - Technische Daten	Brass - MS	Stainless - S3	Steel - ST
Nominal Ø (mm) - Nennweite Ø (mm)	7 mm	7 mm	7 mm
Nominal Area (mm ²) - Fläche (mm ²)	40 mm ²	40 mm ²	40 mm ²
Maximum Working Pressure (Bar - PSI)	40 bar	40 bar	50 bar
Maximaler Betriebsdruck (Bar - PSI)	580 PSI	580 PSI	725 PSI

Flow Rate vs Pressure Drop Graph / Durchflussrate vs Druckabfall



Compatible: LP-007

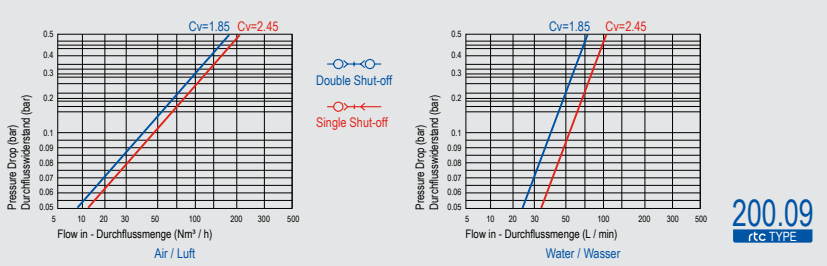


Sockets & Plugs / Kupplungen & Nippel

TYPE 200.09 **rtc**

Technical Spec. - Technische Daten	Brass - MS	Stainless - S3	Steel - ST
Nominal Ø (mm) - Nennweite Ø (mm)	9 mm	9 mm	9 mm
Nominal Area (mm ²) - Fläche (mm ²)	64 mm ²	64 mm ²	64 mm ²
Maximum Working Pressure (Bar - PSI)	40 bar	40 bar	100 bar
Maximaler Betriebsdruck (Bar - PSI)	580 PSI	580 PSI	1450 PSI

Flow Rate vs Pressure Drop Graph / Durchflussrate vs Druckabfall



Compatible: SP-009

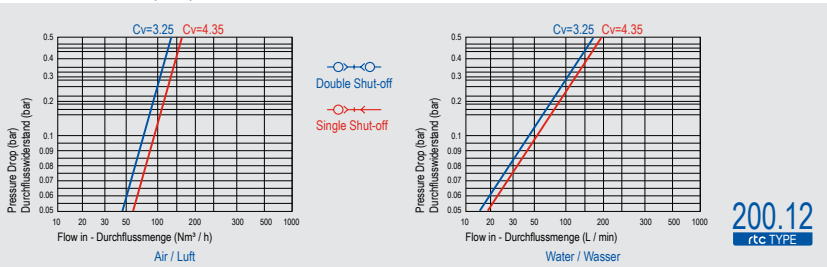


Sockets & Plugs / Kupplungen & Nippel

TYPE 200.12 **rtc**

Technical Spec. - Technische Daten	Brass - MS	Stainless - S3	Steel - ST
Nominal Ø (mm) - Nennweite Ø (mm)	12 mm	12 mm	12 mm
Nominal Area (mm ²) - Fläche (mm ²)	120 mm ²	120 mm ²	120 mm ²
Maximum Working Pressure (Bar - PSI)	30 bar	30 bar	50 bar
Maximaler Betriebsdruck (Bar - PSI)	435 PSI	435 PSI	725 PSI

Flow Rate vs Pressure Drop Graph / Durchflussrate vs Druckabfall



Compatible: LP-012

rtc TYPE 200.19

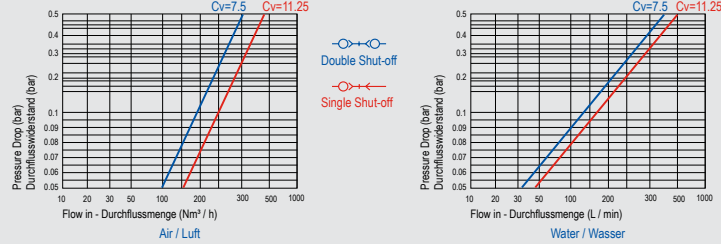
Sockets & Plugs / Kupplungen & Nippel



Compatible: LP-019

Technical Spec. - Technische Daten	Brass - MS	Stainless - S3	Steel - ST
Nominal Ø (mm) - Nennweite Ø (mm)	19 mm	19 mm	19 mm
Nominal Area (mm ²) - Fläche (mm ²)	300 mm ²	300 mm ²	300 mm ²
Maximum Working Pressure (Bar - PSI)	30 bar	30 bar	50 bar
Maximaler Betriebsdruck (Bar - PSI)	435 PSI	435 PSI	725 PSI

Flow Rate vs Pressure Drop Graph / Durchflussrate vs Druckabfall



200.19
rtc TYPE

rtc TYPE 200.32

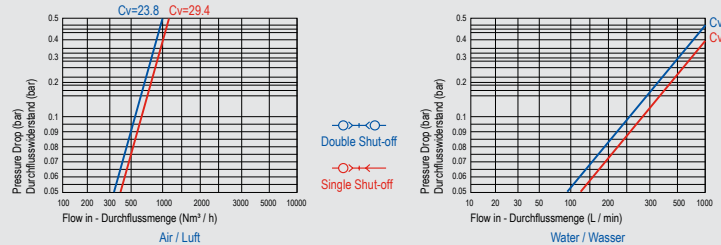
Sockets & Plugs / Kupplungen & Nippel



Compatible: LP-032

Technical Spec. - Technische Daten	Brass - MS	Stainless - S3	Steel - ST
Nominal Ø (mm) - Nennweite Ø (mm)	32 mm	32 mm	32 mm
Nominal Area (mm ²) - Fläche (mm ²)	800 mm ²	800 mm ²	800 mm ²
Maximum Working Pressure (Bar - PSI)	30 bar	30 bar	30 bar
Maximaler Betriebsdruck (Bar - PSI)	435 PSI	435 PSI	435 PSI

Flow Rate vs Pressure Drop Graph / Durchflussrate vs Druckabfall



200.32
rtc TYPE

rtc TYPE 200.50

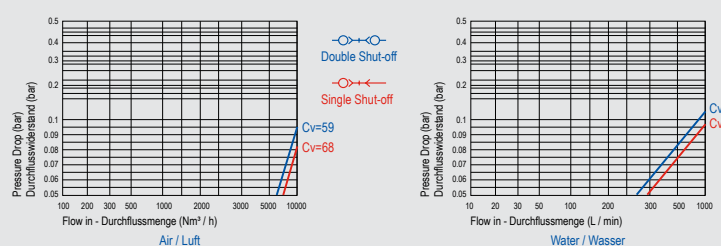
Sockets & Plugs / Kupplungen & Nippel



Compatible: LP-050

Technical Spec. - Technische Daten	Brass - MS	Stainless - S3	Steel - ST
Nominal Ø (mm) - Nennweite Ø (mm)	50 mm	50 mm	50 mm
Nominal Area (mm ²) - Fläche (mm ²)	2000 mm ²	2000 mm ²	2000 mm ²
Maximum Working Pressure (Bar - PSI)	20 bar	20 bar	30 bar
Maximaler Betriebsdruck (Bar - PSI)	290 PSI	290 PSI	435 PSI

Flow Rate vs Pressure Drop Graph / Durchflussrate vs Druckabfall



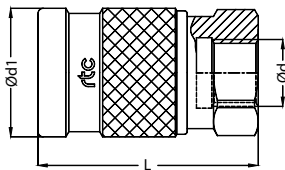
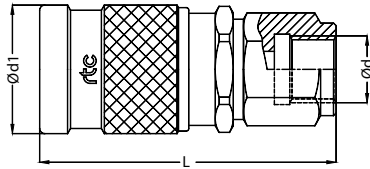
200.50
rtc TYPE



Female thread socket / Kuplung mit Innengewinde

TYPE 200 **rtc**

Socket / Kuplung	Size Größe	Order No / Bestellnr. With Valve / Mit Ventil	Order No / Bestellnr. Without Valve / Ohne Ventil	Ød	Ød1	L	HEX.
	04	200.04 SFB 10	200.04 SFF 10	BSP 1/8	18	45.5	14
	06	200.05 SFB 13	200.05 SFF 13	BSP 1/4	25	57	19
		200.05 SFB 17	200.05 SFF 17	BSP 3/8	25	58	22
	06	200.06 SFB 13	200.06 SFF 13	BSP 1/4	22	57	19
		200.06 SFB 17	200.06 SFF 17	BSP 3/8	22	58	22
	07	200.07 SFB 17	200.07 SFF 17	BSP 3/8	30	68	24
		200.07 SFB 21	200.07 SFF 21	BSP 1/2	30	71	27
	09	200.09 SFB 17	200.09 SFF 17	BSP 3/8	28	68	25
		200.09 SFB 21	200.09 SFF 21	BSP 1/2	28	71	25
	12	200.12 SFB 21	200.12 SFF 21	BSP 1/2	40	81	32
200.12 SFB 26		200.12 SFF 26	BSP 3/4	40	83	32	
19	200.19 SFB 26	200.19 SFF 26	BSP 3/4	54	94	46	
	200.19 SFB 33	200.19 SFF 33	BSP 1	54	98	46	
32	200.32 SFB 48	-	BSP 1-1/2	82	126	75	
	200.32 SFB 60	-	BSP 2	82	130	75	
32	-	200.32 SFF 42	BSP 1-1/4	82	89	70	
	-	200.32 SFF 48	BSP 1-1/2	82	89	70	
	-	200.32 SFF 60	BSP 2	82	89	70	
50	200.50 SFB 60	-	BSP 2	112	158	100	
	200.50 SFB 75	-	BSP 2-1/2	112	167	100	
50	-	200.50 SFF 60	BSP 2	112	107	100	
	-	200.50 SFF 75	BSP 2-1/2	112	107	100	



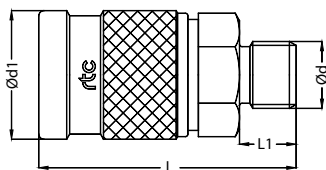
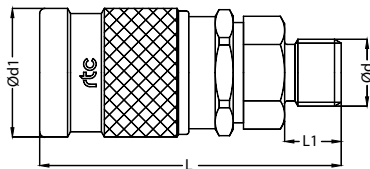
Free-Flow Coupling
Kupplung ohne Ventil



Male thread socket / Kuplung mit Aussengewinde

TYPE 200 **rtc**

Socket / Kuplung	Size Größe	Order No / Bestellnr. With Valve / Mit Ventil	Order No / Bestellnr. Without Valve / Ohne Ventil	Ød	Ød1	L	L1	HEX.
	04	200.04 SMB 10-00	200.04 SMF 10-00	BSP 1/8	18	45.5	10	14
		200.04 SMB 13-00	200.04 SMF 13-00	BSP 1/4	18	46.4	11	14
	06	200.05 SMB 13-00	200.05 SMF 13-00	BSP 1/4	25	58	11	19
		200.05 SMB 17-00	200.05 SMF 17-00	BSP 3/8	25	59	12	19
		200.05 SMB 21-00	200.05 SMF 21-00	BSP 1/2	25	62	15	22
	06	200.06 SMB 13-00	200.06 SMF 13-00	BSP 1/4	22	58	11	19
		200.06 SMB 17-00	200.06 SMF 17-00	BSP 3/8	22	59	12	19
		200.06 SMB 21-00	200.06 SMF 21-00	BSP 1/2	22	62	15	22
	07	200.07 SMB 17-00	200.07 SMF 17-00	BSP 3/8	30	68	12	24
		200.07 SMB 21-00	200.07 SMF 21-00	BSP 1/2	30	71	15	24
09	200.09 SMB 17-00	200.09 SMF 17-00	BSP 3/8	28	68	12	25	
	200.09 SMB 21-00	200.09 SMF 21-00	BSP 1/2	28	71	15	25	
12	200.12 SMB 21-00	200.12 SMF 21-00	BSP 1/2	40	82	15	32	
	200.12 SMB 26-00	200.12 SMF 26-00	BSP 3/4	40	84	17	32	
	200.12 SMB 33-00	200.12 SMF 33-00	BSP 1	40	87	20	36	



Free-Flow Coupling
Kupplung ohne Ventil

rtc TYPE 200

Male thread socket / Kupplung mit Aussengewinde



Socket / Kupplung	Size Größe	Order No / Bestellnr. With Valve / Mit Ventil	Order No / Bestellnr. Without Valve / Ohne Ventil	Ød	Ød1	L	L1	HEX.
	19	200.19 SMB 26-00	200.19 SMF 26-00	BSP 3/4	54	100	17	46
		200.19 SMB 33-00	200.19 SMF 33-00	BSP 1	54	103	20	46
		200.19 SMB 42-00	200.19 SMF 42-00	BSP 1-1/4	54	103	20	46
	32	200.32 SMB 48-00	-	BSP 1-1/2	82	139	22	75
		200.32 SMB 60-00	-	BSP 2	82	143	26	75
<p>Free-Flow Coupling Kupplung ohne Ventil</p>	32	-	200.32 SMF 48-00	BSP 1-1/2	82	109	22	70
		-	200.32 SMF 60-00	BSP 2	82	113	26	70
	50	200.50 SMB 60-00	-	BSP 2	112	162	26	100
		200.50 SMB 75-00	-	BSP 2-1/2	112	164	30	100
<p>Free-Flow Coupling Kupplung ohne Ventil</p>	50	-	200.32 SMF 60-00	BSP 2	112	133	26	100
		-	200.32 SMF 75-00	BSP 2-1/2	112	137	30	100

rtc TYPE 200

Male thread socket with sealing edge / Kupplung mit Aussengewinde / Abdichtung am Rand



Socket / Kupplung	Size Größe	Order No / Bestellnr. With Valve / Mit Ventil	Order No / Bestellnr. Without Valve / Ohne Ventil	Ød	Ød1	L	L1	HEX.
	06	200.05 SMB 17-SE	200.05 SMF 17-SE	BSP 3/8	25	64	12	27
	06	200.06 SMB 17-SE	200.06 SMF 17-SE	BSP 3/8	22	64	12	27
	07	200.07 SMB 17-SE	200.07 SMF 17-SE	BSP 3/8	30	71	12	27
	12	200.12 SMB 21-SE	200.12 SMF 21-SE	BSP 1/2	40	84	14	32
	19	200.19 SMB 26-SE	200.19 SMF 26-SE	BSP 3/4	54	102	16	46

rtc TYPE 200

Male thread socket with 60° sealing cone / Kupplung mit Aussengewinde 60° Dichtkonus



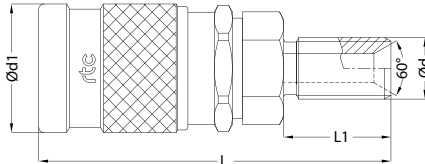
Socket / Kupplung	Size Größe	Order No / Bestellnr. With Valve / Mit Ventil	Order No / Bestellnr. Without Valve / Ohne Ventil	Ød	Ød1	L	L1	HEX.
	06	200.05 SMB 13	200.05 SMF 13	BSP 1/4	25	58	11	19
		200.05 SMB 17	200.05 SMF 17	BSP 3/8	25	59	12	19
		200.05 SMB 1415	200.05 SMF 1415	M14x1.5	25	57	10	19
	06	200.06 SMB 13	200.06 SMF 13	BSP 1/4	22	58	11	19
		200.06 SMB 17	200.06 SMF 17	BSP 3/8	22	59	12	19
		200.06 SMB 1415	200.06 SMF 1415	M14x1.5	22	57	10	19
	07	200.07 SMB 17	200.07 SMF 17	BSP 3/8	30	68	12	24
		200.07 SMB 1615	200.07 SMF 1615	M16x1.5	30	67	11	24
	12	200.12 SMB 13	200.12 SMF 13	BSP 1/2	40	82	15	32
		200.12 SMB 17	200.12 SMF 17	BSP 3/4	40	84	17	32
		200.12 SMB 1415	200.12 SMF 1415	M18x1.5	40	78	11	32
		200.12 SMB 1415	200.12 SMB 1415	M22x1.5	40	79	12	32
	19	200.19 SMB 26	200.19 SMF 26	BSP 3/4	54	100	17	46
		200.19 SMB 33	200.19 SMF 33	BSP 1	54	103	20	46
		200.19 SMB 2615	200.19 SMF 2615	M26x1.5	54	95	12	46
		200.19 SMB 3015	200.19 SMF 3015	M30x1.5	54	97	14	46
	32	200.32 SMB 4515	200.32 SMF 4515	M45x1.5	82	128	16	75
	50	200.50 SMB 6520	200.50 SMF 6520	M65x2.0	112	159	18	100



Male long thread socket with 60° sealing cone / Kupplung mit langem Aussengewinde 60° Dichtkonus

TYPE 200



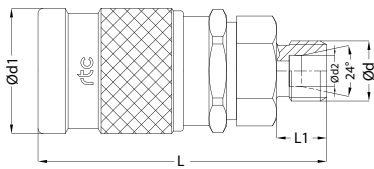
Socket / Kupplung	Size Größe	Order No / Bestellnr. With Valve / Mit Ventil	Order No / Bestellnr. Without Valve / Ohne Ventil	Ød	Ød1	L	L1	HEX.
	06	200.05 SMB 1415x32	200.05 SMF 1415x32	M14x1.5	25	79	32	19
	06	200.06 SMB 1415x32	200.06 SMF 1415x32	M14x1.5	22	79	32	19
	07	200.07 SMB 1615x34	200.07 SMF 161x345	M16x1.5	30	90	34	24
	12	200.12 SMB 2215x49	200.12 SMF 2215x39	M22x1.5	40	106	39	32
	19	200.19 SMB 3015x45	200.19 SMF 3015x45	M30x1.5	54	128	45	46



Male thread socket with 24° sealing cone / Kupplung mit Aussengewinde 24° Dichtkonus

TYPE 200



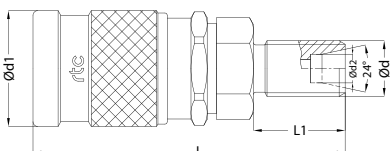
Socket / Kupplung	Size Größe	Order No / Bestellnr. With Valve / Mit Ventil	Order No / Bestellnr. Without Valve / Ohne Ventil	Ød	Ød1	Ød2	L	L1	HEX.
	06	200.05 SMB 1215-06	200.05 SMF 1215-06	M12x1.5	25	6	57	10	19
		200.05 SMB 1415-08	200.05 SMF 1415-08	M14x1.5	25	8	57	10	19
		200.05 SMB 1615-08	200.05 SMF 1615-08	M16x1.5	25	8	59	12	19
		200.05 SMB 1615-10	200.05 SMF 1615-10	M16x1.5	25	10	58	11	19
		200.05 SMB 1815-10	200.05 SMF 1815-10	M18x1.5	25	10	59	12	19
		200.05 SMB 1815-12	200.05 SMF 1815-12	M18x1.5	25	12	58	11	19
		200.05 SMB 2015-12	200.05 SMF 2015-12	M20x1.5	25	12	59	12	22
	06	200.06 SMB 1215-06	200.06 SMF 1215-06	M12x1.5	22	6	57	10	19
		200.06 SMB 1415-08	200.06 SMF 1415-08	M14x1.5	22	8	57	10	19
		200.06 SMB 1615-08	200.06 SMF 1615-08	M16x1.5	22	8	59	12	19
		200.06 SMB 1615-10	200.06 SMF 1615-10	M16x1.5	22	10	58	11	19
		200.06 SMB 1815-10	200.06 SMF 1815-10	M18x1.5	22	10	59	12	19
		200.06 SMB 1815-12	200.06 SMF 1815-12	M18x1.5	22	12	58	11	19
		200.06 SMB 2015-12	200.06 SMF 2015-12	M20x1.5	22	12	59	12	22
	07	200.07 SMB 1415-08	200.07 SMF 1415-08	M14x1.5	30	8	66	10	24
		200.07 SMB 1615-10	200.07 SMF 1615-10	M16x1.5	30	10	67	11	24
		200.07 SMB 1815-10	200.07 SMF 1815-10	M18x1.5	30	10	68	12	24
		200.07 SMB 1815-12	200.07 SMF 1815-12	M18x1.5	30	12	67	11	24
		200.07 SMB 2015-12	200.07 SMF 2015-12	M20x1.5	30	12	68	12	24
	12	200.12 SMB 1615-12	200.12 SMF 1815-12	M18x1.5	40	12	78	11	32
		200.12 SMB 1815-15	200.12 SMF 2215-15	M22x1.5	40	15	79	12	32
		200.12 SMB 2015-16	200.12 SMF 2415-16	M24x1.5	40	16	81	14	32
	19	200.19 SMB 2615-18	200.19 SMF 2615-18	M26x1.5	54	18	95	12	46
		200.19 SMB 3020-20	200.19 SMF 3020-20	M30x2.0	54	20	97	14	46
		200.19 SMB 3020-22	200.19 SMF 3020-22	M30x2.0	54	22	99	16	46
		200.19 SMB 3620-25	200.19 SMF 3020-25	M36x2.0	54	25	101	18	46
	32	200.32 SMB 5220-38	200.32 SMF 5220-38	M52x2.0	82	38	134	22	75
	50	200.50 SMB 5220-42	200.50 SMF 5220-42	M52x2.0	112	42	158	22	100



Male long thread socket with 24° sealing cone / Kupplung mit langem Aussengewinde 24° Dichtkonus

TYPE 200

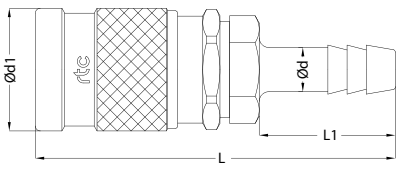
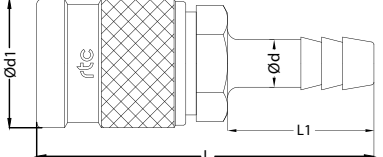


Socket / Kupplung	Size Größe	Order No / Bestellnr. With Valve / Mit Ventil	Order No / Bestellnr. Without Valve / Ohne Ventil	Ød	Ød1	Ød2	L	L1	HEX.
	06	200.05 SMB 1415-08x32	200.05 SMF 1415-08x32	M14x1.5	25	8	79	32	19
		200.05 SMB 1615-10x32	200.05 SMF 1615-10x32	M16x1.5	25	10	79	32	19
	06	200.06 SMB 1415-08x32	200.06 SMF 1415-08x32	M14x1.5	22	8	79	32	19
		200.06 SMB 1615-10x32	200.06 SMF 1615-10x32	M16x1.5	22	10	79	32	19

rtc TYPE 200

Standard hose tail socket / Kupplung mit gerader Standard - Schlauchtülle

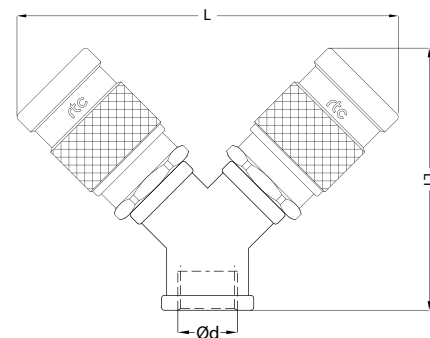
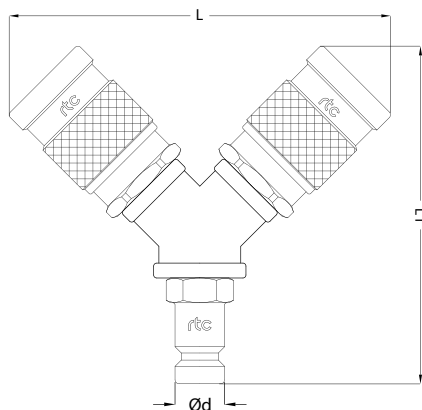


Socket / Kupplung	Size Größe	Order No / Bestellnr. With Valve / Mit Ventil	Order No / Bestellnr. Without Valve / Ohne Ventil	Ød	Ød1	L	L1
	04	200.04 SHB 04	200.04 SHF 04	4 mm	18	50	18
		200.04 SHB 06	200.04 SHF 06	6 mm	18	61	25
	06	200.05 SHB 06	200.05 SHF 06	6 mm	25	72	25
		200.05 SHB 09	200.05 SHF 09	9 mm	25	77	30
		200.05 SHB 11	200.05 SHF 11	11 mm	25	77	30
		200.05 SHB 13	200.05 SHF 13	13 mm	25	77	30
	06	200.06 SHB 06	200.06 SHF 06	6 mm	22	72	25
		200.06 SHB 09	200.06 SHF 09	9 mm	22	77	30
		200.06 SHB 11	200.06 SHF 11	11 mm	22	77	30
		200.06 SHB 13	200.06 SHF 13	13 mm	22	77	30
	07	200.07 SHB 09	200.07 SHF 09	9 mm	30	86	30
		200.07 SHB 11	200.07 SHF 11	11 mm	30	86	30
		200.07 SHB 13	200.07 SHF 13	13 mm	30	86	30
	09	200.09 SHB 13	200.09 SHF 13	13 mm	28	86	30
	12	200.12 SHB 16	200.12 SHF 16	16 mm	40	102	35
		200.12 SHB 19	200.12 SHF 19	19 mm	40	102	35
	19	200.19 SHB 19	200.19 SHF 19	19 mm	54	118	35
		200.19 SHB 25	200.19 SHF 25	25 mm	54	123	40
		200.19 SHB 28	200.19 SHF 28	28 mm	54	128	45
	32	200.32 SHB 42	-	42 mm	82	178	61
		200.32 SHB 53	-	53 mm	82	182	70
	32	-	200.32 SHF 42	42 mm	82	143	61
		-	200.32 SHF 53	53 mm	82	152	70
	50	200.50 SHB 65	-	65 mm	112	209	75
	50	-	200.50 SHF 65	65 mm	112	182	75

Free-Flow Coupling
Kupplung ohne Ventil

rtc TYPE 200

Y Distributor / Y Verteiler



Size Größe	Order No Bestellnr.	Ød	L	L1
6	200.05 SPOY	12	116	110

Size Größe	Order No Bestellnr.	Ød	L	L1
6	200.05 SFOY 17	BSP 3/8	116	81
7	200.07 SFOY 21	BSP 1/2	140	96
12	200.12 SFOY 33	BSP 1	178	128



Female thread plug / Nippel mit Innengewinde

TYPE 200 **rtc**

Plug / Nippel	Size Größe	Order No / Bestellnr. With Valve / Mit Ventil	Ød	Ød1	L	HEX.
	04	200.04 PFB 10	BSP 1/8	18	45	14
	06	200.05 PFB 13	BSP 1/4	25	55	19
		200.05 PFB 17	BSP 3/8	25	56	22
	06	200.06 PFB 13	BSP 1/4	22	55	19
		200.06 PFB 17	BSP 3/8	22	56	22
	07	200.07 PFB 17	BSP 3/8	30	66	24
200.07 PFB 21		BSP 1/2	30	69	27	
09	200.09 PFB 17	BSP 3/8	28	67	25	
	200.09 PFB 21	BSP 1/2	28	70	27	
12	200.12 PFB 21	BSP 1/2	40	79	32	
	200.12 PFB 26	BSP 3/4	40	81	32	
19	200.19 PFB 26	BSP 3/4	54	90	46	
	200.19 PFB 33	BSP 1	54	94	46	
32	200.32 PFB 48	BSP 1-1/2	82	123	75	
	200.32 PFB 60	BSP 2	82	127	75	
50	200.50 PFB 60	BSP 2	112	154	100	
	200.50 PFB 75	BSP 2-1/2	112	163	100	

Plug profile of 200.04 - 200.06 - 200.09



Male thread plug / Nippel mit Aussengewinde

TYPE 200 **rtc**

Plug / Nippel	Size Größe	Order No / Bestellnr. With Valve / Mit Ventil	Ød	Ød1	L	L1	HEX.
	04	200.04 PMB 10-00	BSP 1/8	18	45	10	14
		200.04 PMB 13-00	BSP 1/4	18	46	11	14
	06	200.05 PMB 13-00	BSP 1/4	25	56	11	19
		200.05 PMB 17-00	BSP 3/8	25	57	12	19
		200.05 PMB 21-00	BSP 1/2	25	60	15	22
	06	200.06 PMB 13-00	BSP 1/4	22	56	11	19
200.06 PMB 17-00		BSP 3/8	22	57	12	19	
200.06 PMB 21-00		BSP 1/2	22	60	15	22	
07	200.07 PMB 17-00	BSP 3/8	30	66	12	24	
	200.07 PMB 21-00	BSP 1/2	30	69	15	24	
09	200.09 PMB 17-00	BSP 3/8	28	67	12	25	
	200.09 PMB 21-00	BSP 1/2	28	70	15	25	
12	200.12 PMB 21-00	BSP 1/2	40	80	15	32	
	200.12 PMB 26-00	BSP 3/4	40	82	17	32	
	200.12 PMB 33-00	BSP 1	40	86	20	36	
19	200.19 PMB 26-00	BSP 3/4	54	96	17	46	
	200.19 PMB 33-00	BSP 1	54	99	20	46	
	200.19 PMB 42-00	BSP 1-1/4	54	101	22	46	
32	200.32 PMB 48-00	BSP 1-1/2	82	136	22	75	
	200.32 PMB 60-00	BSP 2	82	140	26	75	
50	200.50 PMB 60-00	BSP 2	112	158	26	100	
	200.50 PMB 75-00	BSP 2-1/2	112	160	30	100	

Plug profile of 200.04 - 200.06 - 200.09

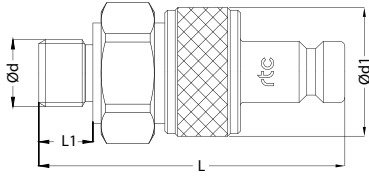
rtc TYPE 200

Male thread plug with sealing edge / Nippel mit Aussengewinde / Abdichtung am Rand



Plug / Nippel

Size Größe	Order No / Bestellnr. With Valve / Mit Ventil	Ød	Ød1	L	L1	HEX.
06	200.05 PMB 17-SE	BSP 3/8	25	62	12	27
06	200.06 PMB 17-SE	BSP 3/8	22	62	12	27
07	200.07 PMB 17-SE	BSP 3/8	30	69	12	27
12	200.12 PMB 21-SE	BSP 1/2	40	82	14	32
19	200.19 PMB 26-SE	BSP 3/4	54	98	16	46



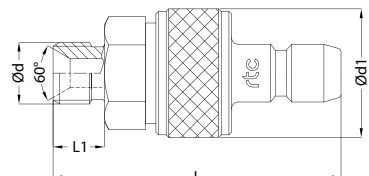
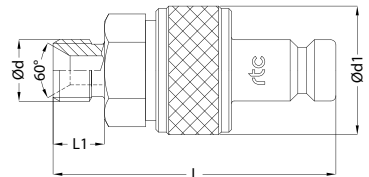
rtc TYPE 200

Male thread plug with 60° sealing cone / Nippel mit Aussengewinde 60° Dichtkonus



Plug / Nippel

Size Größe	Order No / Bestellnr. With Valve / Mit Ventil	Ød	Ød1	L	L1	HEX.
06	200.05 PMB 13	BSP 1/4	25	56	11	19
	200.05 PMB 17	BSP 3/8	25	57	12	19
	200.05 PMB 1415	M14x1.5	25	55	10	19
06	200.06 PMB 13	BSP 1/4	22	56	11	19
	200.06 PMB 17	BSP 3/8	22	57	12	19
	200.06 PMB 1415	M14x1.5	22	55	10	19
07	200.07 PMB 17	BSP 3/8	30	66	12	24
	200.07 PMB 1615	M16x1.5	30	65	11	24
12	200.12 PMB 21	BSP 1/2	40	80	15	32
	200.12 PMB 26	BSP 3/4	40	82	17	32
	200.12 PMB 1815	M18x1.5	40	76	11	32
	200.12 PMB 2215	M22x1.5	40	77	12	32
19	200.19 PMB 26	BSP 3/4	54	96	17	46
	200.19 PMB 33	BSP 1	54	99	20	46
	200.19 PMB 2615	M26x1.5	54	91	12	46
	200.19 PMB 3015	M30x1.5	54	93	14	46
32	200.32 PMB 4515	M45x1.5	82	125	16	75
50	200.50 PMB 6520	M65x2.0	112	159	18	100



Plug profile of 200.06

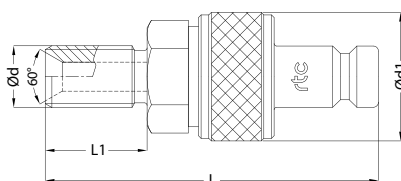
rtc TYPE 200

Male long thread plug with 60° sealing cone / Nippel mit langem Aussengewinde 60° Dichtkonus



Plug / Nippel

Size Größe	Order No / Bestellnr. With Valve / Mit Ventil	Ød	Ød1	L	L1	HEX.
06	200.05 PMB 1415x32	M14x1.5	25	77	32	19
06	200.06 PMB 1415x32	M14x1.5	22	77	32	19
07	200.07 PMB 1615x34	M16x1.5	30	88	34	24
12	200.12 PMB 2215x40	M22x1.5	40	104	40	32
19	200.19 PMB 3015x45	M30x1.5	54	124	45	46

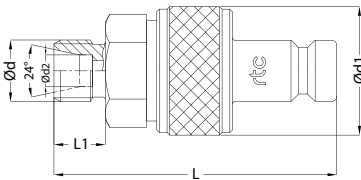
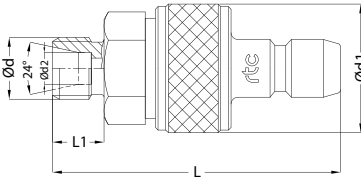
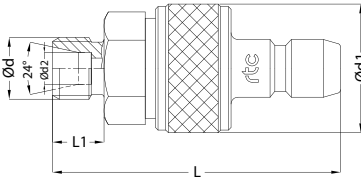
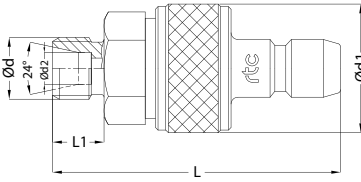
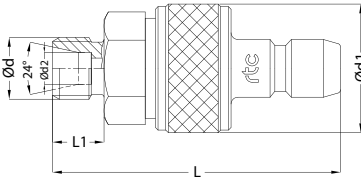




Male thread plug with 24° sealing cone / Nippel mit Aussengewinde 24° Dichtkonus

TYPE 200



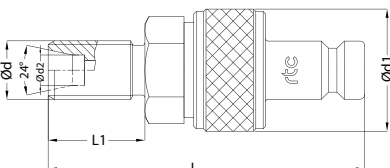
Plug / Nippel	Size Größe	Order No / Bestellnr. With Valve / Mit Ventil	Ød	Ød1	Ød2	L	L1	HEX.
	06	200.05 PMB 1215-06	M12x1.5	25	6 mm	55	10	19
		200.05 PMB 1415-08	M14x1.5	25	8 mm	55	10	19
		200.05 PMB 1615-08	M16x1.5	25	8 mm	57	12	19
		200.05 PMB 1615-10	M16x1.5	25	10 mm	56	11	19
		200.05 PMB 1815-10	M18x1.5	25	10 mm	57	12	19
		200.05 PMB 1815-12	M18x1.5	25	12 mm	56	11	19
		200.05 PMB 2015-12	M20x1.5	25	12 mm	57	12	22
 <p>Plug profile of 200.06</p>	06	200.06 PMB 1215-06	M12x1.5	22	6 mm	55	10	19
		200.06 PMB 1415-08	M14x1.5	22	8 mm	55	10	19
		200.06 PMB 1615-08	M16x1.5	22	8 mm	57	12	19
		200.06 PMB 1615-10	M16x1.5	22	10 mm	56	11	19
		200.06 PMB 1815-10	M18x1.5	22	10 mm	57	12	19
		200.06 PMB 1815-12	M18x1.5	22	12 mm	56	11	19
		200.06 PMB 2015-12	M20x1.5	22	12 mm	57	12	22
	07	200.07 PMB 1415-08	M14x1.5	30	8 mm	64	10	24
		200.07 PMB 1615-10	M16x1.5	30	10 mm	65	11	24
		200.07 PMB 1815-10	M18x1.5	30	10 mm	66	12	24
		200.07 PMB 1815-12	M18x1.5	30	12 mm	65	11	24
		200.07 PMB 2015-12	M20x1.5	30	12 mm	66	12	24
	12	200.12 PMB 1815-12	M18x1.5	40	12 mm	76	11	32
		200.12 PMB 2215-15	M22x1.5	40	15 mm	77	12	32
		200.12 PMB 2415-16	M24x1.5	40	16 mm	79	14	32
	19	200.19 PMB 2615-18	M26x1.5	54	18 mm	91	12	46
		200.19 PMB 3020-20	M30x2.0	54	20 mm	95	16	46
		200.19 PMB 3020-22	M30x2.0	54	22 mm	93	14	46
		200.19 PMB 3620-25	M36x2.0	54	25 mm	97	18	46
32	200.32 PMB 5220-38	M52x2.0	82	38 mm	131	22	75	
50	200.50 PMB 5220-42	M52x2.0	112	42 mm	154	16	100	



Male long thread plug with 24° sealing cone / Nippel mit langem Aussengewinde 24° Dichtkonus

TYPE 200



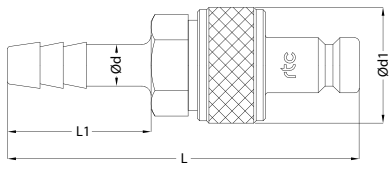
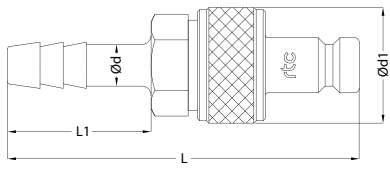
Plug / Nippel	Size Größe	Order No / Bestellnr. With Valve / Mit Ventil	Ød	Ød1	Ød2	L	L1	HEX.
	06	200.05 PMB 1415-08x32	M14x1.5	25	8 mm	77	32	19
		200.05 PMB 1615-10x32	M16x1.5	25	10 mm	77	32	19
	06	200.06 PMB 1415-08x32	M14x1.5	22	8 mm	77	32	19
		200.06 PMB 1615-10x32	M16x1.5	22	10 mm	77	32	19



Standard hose tail plug / Nippel mit gerader Standard - Schlauchtülle

TYPE 200



Plug / Nippel	Size Größe	Order No / Bestellnr. With Valve / Mit Ventil	Ød	Ød1	L	L1
	04	200.04 PHB 04	4 mm	18	58	18
		200.04 PHB 06	6 mm	18	65	25
	06	200.05 PHB 06	6 mm	25	70	25
		200.05 PHB 09	9 mm	25	75	30
		200.05 PHB 11	11 mm	25	75	30
		200.05 PHB 13	13 mm	25	75	30

rtc TYPE 200

Standard hose tail plug / Nippel mit gerader Standard - Schlauchtülle



Plug / Nippel

Size
Größe

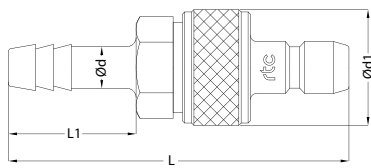
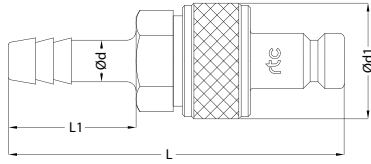
Order No / Bestellnr.
With Valve / Mit Ventil

Ød

Ød1

L

L1



Plug profile of 200.04 - 200.06 - 200.09

06

200.06 PHB 06
200.06 PHB 09
200.06 PHB 11
200.06 PHB 13

6 mm
9 mm
11 mm
13 mm

22
22
22
22

70
75
75
75

25
30
30
30

07

200.07 PHB 09
200.07 PHB 11
200.07 PHB 13

9 mm
11 mm
13 mm

30
30
30

84
84
84

30
30
30

09

200.09 PHB 13

13 mm

28

85

30

12

200.12 PHB 16
200.12 PHB 19

16 mm
19 mm

40
40

100
100

35
35

19

200.19 PHB 19
200.19 PHB 25
200.19 PHB 28

19 mm
25 mm
28 mm

54
54
54

114
119
124

35
40
45

32

200.32 PHB 42
200.32 PHB 53

42 mm
53 mm

82
82

175
179

61
70

50

200.50 PHB 65

65 mm

112

205

75

rtc TYPE 200

Female thread plug without valve / Nippel mit Innengewinde ohneventil



Plug / Nippel

Size
Größe

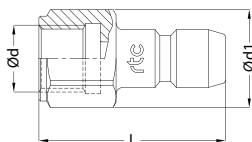
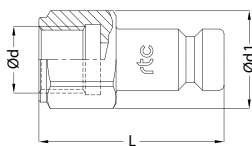
Order No / Bestellnr.
Without Valve / Ohne Ventil

Ød

Ød1

L

HEX.



Plug profile of 200.04 - 200.06 - 200.09

04

200.04 PFF 10

BSP 1/8

16

29

14

06

200.05 PFF 10
200.05 PFF 13
200.05 PFF 17

BSP 1/8
BSP 1/4
BSP 3/8

17
19
24

31
36
38

15
17
22

06

200.06 PFF 10
200.06 PFF 13
200.06 PFF 17

BSP 1/8
BSP 1/4
BSP 3/8

17
19
24

31
36
38

15
17
22

07

200.07 PFF 13
200.07 PFF 17
200.07 PFF 21

BSP 1/4
BSP 3/8
BSP 1/2

19
24
30

41
42
45

17
22
27

09

200.09 PFF 17
200.09 PFF 21

BSP 3/8
BSP 1/2

24
30

42
45

22
27

12

200.12 PFF 21
200.12 PFF 26

BSP 1/2
BSP 3/4

33
36

51
53

27
32

19

200.19 PFF 26
200.19 PFF 33

BSP 3/4
BSP 1

40
45

58
60

36
41

32

200.32 PFF 42
200.32 PFF 48
200.32 PFF 60

BSP 1-1/4
BSP 1-1/2
BSP 2

60
65
78

71
71
75

55
60
70

50

200.50 PFF 60

BSP 2

92

82

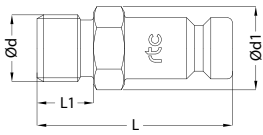
85



Male thread plug without valve / Nippel mit Aussengewinde ohneventil

TYPE 200



Plug / Nippel	Size Größe	Order No / Bestellnr. Without Valve / Ohne Ventil	Ød	Ød1	L	L1	HEX.
	04	200.04 PMF 10	BSP 1/8	16	29	8	14
		200.04 PMF 13	BSP 1/4	16	32	11	14
		200.04 PMF 1010	M10x1.0	15	28	8	13
	06	200.05 PMF 10	BSP 1/8	16	34	8	14
		200.05 PMF 13	BSP 1/4	16	37	11	14
		200.05 PMF 17	BSP 3/8	21	38	12	19
	06	200.06 PMF 10	BSP 1/8	16	34	8	14
		200.06 PMF 13	BSP 1/4	16	37	11	14
		200.06 PMF 17	BSP 3/8	22	38	12	19
07	200.07 PMF 13	BSP 1/4	19	41	11	17	
	200.07 PMF 17	BSP 3/8	21	42	12	19	
	200.07 PMF 21	BSP 1/2	27	45	15	24	
09	200.09 PMF 17	BSP 3/8	22	42	12	19	
	200.09 PMF 21	BSP 1/2	24	47	15	22	
12	200.12 PMF 17	BSP 3/8	30	50	12	27	
	200.12 PMF 21	BSP 1/2	30	55	15	27	
	200.12 PMF 26	BSP 3/4	33	55	17	30	
19	200.19 PMF 21	BSP 1/2	40	58	15	36	
	200.19 PMF 26	BSP 3/4	40	60	17	36	
	200.19 PMF 33	BSP 1	40	63	20	36	
32	200.32 PMF 48	BSP 1-1/2	60	75	22	55	
	200.32 PMF 60	BSP 2	73	79	26	65	
50	200.50 PMF 60	BSP 2	92	88	26	85	

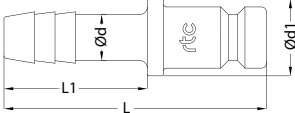
Plug profile of 200.04 - 200.06 - 200.09



Standard hose tail plug without valve / Nippel mit gerader Standard - Schlauchtülle ohneventil

TYPE 200



Plug / Nippel	Size Größe	Order No / Bestellnr. Without Valve / Ohne Ventil	Ød	Ød1	L	L1
	04	200.04 PHF 04	4 mm	12	37	18
		200.04 PHF 06	6 mm	12	44	25
	06	200.05 PHF 06	6 mm	11	46	26
		200.05 PHF 09	9 mm	11	51	31
		200.05 PHF 11	11 mm	14	53	33
	06	200.06 PHF 06	6 mm	12	46	26
200.06 PHF 09		9 mm	12	51	31	
200.06 PHF 11		11 mm	16	53	33	
07	200.07 PHF 09	9 mm	14	55	30	
	200.07 PHF 11	11 mm	18	57	30	
	200.07 PHF 13	13 mm	18	57	30	
09	200.09 PHF 13	13 mm	15	55	30	
12	200.12 PHF 13	13 mm	21	61	30	
	200.12 PHF 16	16 mm	21	66	35	
	200.12 PHF 19	19 mm	25	69	35	
19	200.19 PHF 19	19 mm	32	69	35	
	200.19 PHF 25	25 mm	32	74	40	
32	200.32 PHF 42	42 mm	54	105	61	
	200.32 PHF 53	53 mm	60	114	70	
50	200.50 PHF 65	65 mm	90	131	75	

Plug profile of 200.04 - 200.06 - 200.09



rtc[®]

COUPLING TECHNOLOGY



MEDIUM PRESSURE TYPE

201

rtc TYPE



Temperature Range - Temperaturbereich

Nitrile (N)	-20°C + 100°C (-4°F + 212°F)
FPM (V)	-20°C + 180°C (-4°F + 356°F)
EPDM (Ethylene Propylene)	-40°C + 150°C (-40°F + 302°F)

Max. Working Pressure - Max. Betriebsdruck

Please Check the individual tables

Flow size - Nennweite

rtc 201.05	6 mm
rtc 201.06	6 mm
rtc 201.07	7 mm
rtc 201.12	12 mm
rtc 201.19	19 mm
rtc 201.25	25 mm
rtc 201.32	32 mm
rtc 201.50	50 mm

Material of Steel Coupler - ST Version

Material für die Stahlversion - ST Version

Socket body - Kupplungsgrundkörper	Steel zinc plated - Stahl verzinkt
Valve - Ventil	Brass - Messing
Springs - Federn	Stainless Steel - Edelstahl
Balls - Kugeln	Stainless Steel - Edelstahl
Locking Ring - Sprenging	Stainless Steel - Edelstahl

Plug -
Nippel

Steel zinc plated -
Stahl verzinkt

Material of Stainless-Steel Coupler - SS Version

Material für die Edelstahlversion - SS Version

Socket body - Kupplungsgrundkörper	Stainless Steel - Edelstahl
Valve - Ventil	Stainless Steel - Edelstahl
Springs - Federn	Stainless Steel - Edelstahl
Balls - Kugeln	Stainless Steel - Edelstahl
Locking Ring - Sprenging	Stainless Steel - Edelstahl

Plug - Nipeel

Stainless Steel - Edelstahl

Compatible - Kompatibilität

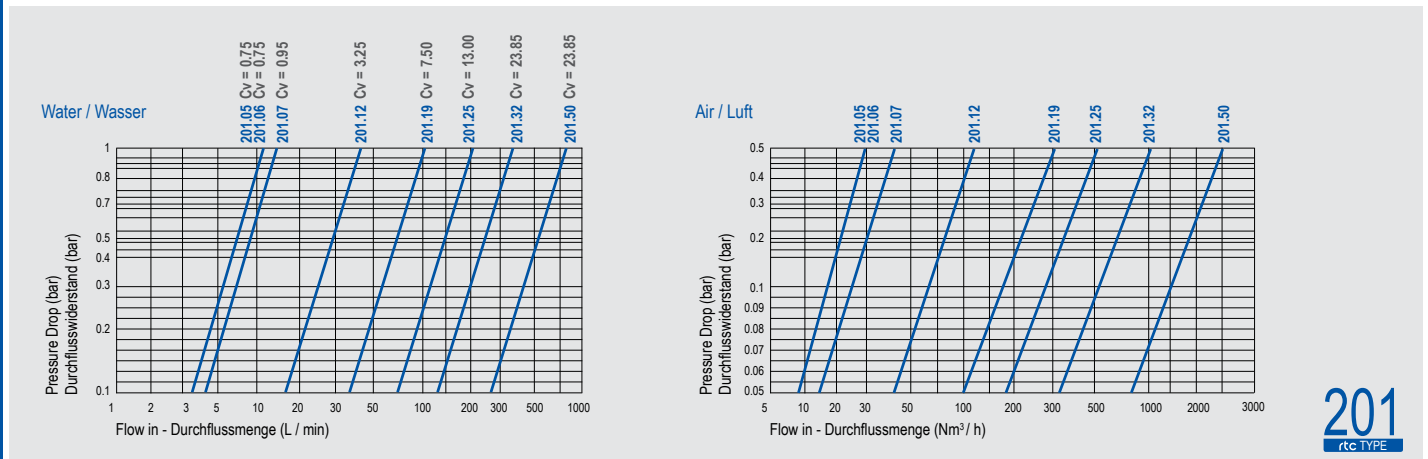
rtc 201.05	MD-006
rtc 201.06	SG-006
rtc 201.07	MD-007
rtc 201.12	MD-012
rtc 201.19	MD-019
rtc 201.25	MD-025
rtc 201.32	MD-032
rtc 201.50	MD-050

Options / Optionen	Add	Example Code
Brass Messing	MS	201.06 SMB 13-MS
Steel Stahl	ST	201.06 SMB 13-ST
Stainless Steel AISI 303 Edelstahl AISI 303	S3	201.06 9.9 SMB 13-S3
Stainless Steel AISI 316L Edelstahl AISI 316L	S6	201.06 9.9 SMB 13-S6
Nickel Plated Vernickelt	NI	201.06 SMB 13-MS-NI
Zinc Nickel Plated Zink Nickel Beschichtung	CN	201.06 SMB 13-MS
Chromium Plated Verchromt	CH	201.06 SMB 13-MS-CH
Chemical Nickel Plated Chemisch Vernickelt	KN	201.06 SMB 13-ST-KN
Safety Sicherheit	S	201.06 SMB 13-ST-S



Nominal Ø Nennweite Ø	Flow Area Fläche	Maximum Working Pressure (Bar) - Maximaler Betriebsdruck (Bar)		
		Stainless - S3	Brass - MS	Steel - ST
6 mm	30 mm ²	100	40	200
6 mm	30 mm ²	100	40	250
7 mm	40 mm ²	100	40	250
12 mm	120 mm ²	100	40	250
19 mm	300 mm ²	50	40	250
25 mm	490 mm ²	50	40	220
32 mm	800 mm ²	40	40	200
50 mm	2000 mm ²	30	30	100

Flow Rate vs Pressure Drop Graph / Durchflussrate vs Druckabfall

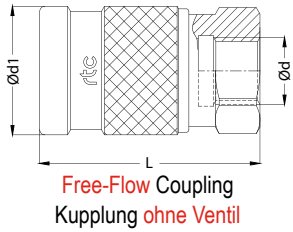


rtc TYPE 201

Female thread socket / Kupplung mit Innengewinde



Socket / Kupplung	Size Größe	Order No / Bestellnr. With Valve / Mit Ventil	Order No / Bestellnr. Without Valve / Ohne Ventil	Ød	Ød1	L	HEX
	06	201.05 SFB 13	201.05 SHF 13	BSP 1/4	25	57	19
		201.05 SFB 17	201.05 SHF 17	BSP 3/8	25	58	22
	06	201.06 SFB 13	201.06 SFF 13	BSP 1/4	22	57	19
		201.06 SFB 17	201.06 SFF 17	BSP 3/8	22	58	22
	07	201.07 SFB 17	201.07 SFF 17	BSP 3/8	30	68	24
		201.07 SFB 21	201.07 SFF 21	BSP 1/2	30	71	27
	12	201.12 SFB 21	201.12 SFF 21	BSP 1/2	40	81	32
		201.12 SFB 26	201.12 SFF 26	BSP 3/4	40	83	32
	19	201.19 SFB 26	201.19 SFF 26	BSP 3/4	54	94	46
		201.19 SFB 33	201.19 SFF 33	BSP 1	54	98	46
	25	201.25 SHB 48	201.25 SHF 48	BSP 1-1/2	62	139	55
	32	201.32 SFB 48	-	BSP 1-1/2	82	126	75
201.32 SFB 60		-	BSP 2	82	130	75	
32	-	201.32 SFF 48	BSP 1-1/2	82	87	70	
	-	201.32 SFF 60	BSP 2	82	87	70	
50	201.50 SFB 60	-	BSP 2	112	158	100	
	201.50 SFB 75	-	BSP 2-1/2	112	167	100	
50	-	201.50 SFF 60	BSP 2	112	112	100	
	-	201.50 SFF 75	BSP 2-1/2	112	112	100	



rtc TYPE 201

Male thread socket / Kupplung mit Aussengewinde



Socket / Kupplung	Size Größe	Order No / Bestellnr. With Valve / Mit Ventil	Order No / Bestellnr. Without Valve / Ohne Ventil	Ød	Ød1	L	L1	HEX.
	06	201.05 SMB 13-00	201.05 SMF 13-00	BSP 1/4	25	58	11	19
		201.05 SMB 17-00	201.05 SMF 17-00	BSP 3/8	25	59	12	19
		201.05 SMB 21-00	201.05 SMF 21-00	BSP 1/2	25	62	15	22
	06	201.06 SMB 13-00	201.06 SMF 13-00	BSP 1/4	22	58	11	19
		201.06 SMB 17-00	201.06 SMF 17-00	BSP 3/8	22	59	12	19
		201.06 SMB 21-00	201.06 SMF 21-00	BSP 1/2	22	62	15	22
	07	201.07 SMB 17-00	201.07 SMF 17-00	BSP 3/8	30	68	12	24
		201.07 SMB 21-00	201.07 SMF 21-00	BSP 1/2	30	71	15	24
	12	201.12 SMB 21-00	201.12 SMF 21-00	BSP 1/2	40	82	15	32
		201.12 SMB 26-00	201.12 SMF 26-00	BSP 3/4	40	84	17	32
		201.12 SMB 33-00	201.12 SMF 33-00	BSP 1	40	88	20	36
	19	201.19 SMB 26-00	201.19 SMF 26-00	BSP 3/4	54	100	17	46
201.19 SMB 33-00		201.19 SMF 33-00	BSP 1	54	103	20	46	
201.19 SMB 42-00		201.19 SMF 42-00	BSP 1-1/4	54	103	20	46	
25	201.25 SMB 48-00	201.25 SMF 48-00	BSP 1-1/2	62	132	22	55	



Male thread socket / Kupplung mit Aussengewinde

TYPE 201 **rtc**

Socket / Kupplung	Size Größe	Order No / Bestellnr. With Valve / Mit Ventil	Order No / Bestellnr. Without Valve / Ohne Ventil	Ød	Ød1	L	L1	HEX.
<p>Free-Flow Coupling Kupplung ohne Ventil</p>	32	201.32 SMB 48-00	-	BSP 1-1/2	82	139	22	75
		201.32 SMB 60-00	-	BSP 2	82	143	26	75
	32	-	201.32 SMF 48-00	BSP 1-1/2	82	109	22	70
		-	201.32 SMF 60-00	BSP 2	82	113	26	70
	50	201.50 SMB 60-00	-	BSP 2	112	162	26	100
		201.50 SMB 75-00	-	BSP 2-1/2	112	164	30	100
	50	-	201.32 SMF 60-00	BSP 2	112	133	26	100
		-	201.32 SMF 75-00	BSP 2-1/2	112	138	30	100



Male thread socket with sealing edge / Kupplung mit Aussengewinde / Abdichtung am Rand

TYPE 201 **rtc**

Socket / Kupplung	Size Größe	Order No / Bestellnr. With Valve / Mit Ventil	Order No / Bestellnr. Without Valve / Ohne Ventil	Ød	Ød1	L	L1	HEX.
	06	201.05 SMB 17-SE	201.05 SMF 17-SE	BSP 3/8	25	64	12	27
	06	201.06 SMB 17-SE	201.06 SMF 17-SE	BSP 3/8	22	64	12	27
	07	201.07 SMB 17-SE	201.07 SMF 17-SE	BSP 3/8	30	71	12	27
	12	201.12 SMB 21-SE	201.12 SMF 21-SE	BSP 1/2	40	84	14	32
	19	201.19 SMB 26-SE	201.19 SMF 26-SE	BSP 3/4	54	102	16	46



Male thread socket with 60° sealing cone / Kupplung mit Aussengewinde 60° Dichtkonus

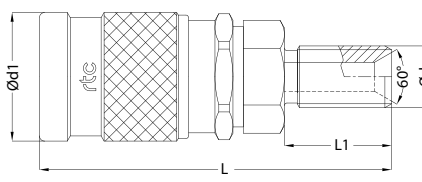
TYPE 201 **rtc**

Socket / Kupplung	Size Größe	Order No / Bestellnr. With Valve / Mit Ventil	Order No / Bestellnr. Without Valve / Ohne Ventil	Ød	Ød1	L	L1	HEX.
<p>Free-Flow Coupling Kupplung ohne Ventil</p>	06	201.05 SMB 13	201.05 SMF 13	BSP 1/4	25	58	11	19
		201.05 SMB 17	201.05 SMF 17	BSP 3/8	25	59	12	19
		201.05 SMB 1415	201.05 SMF 1415	M14x1.5	25	57	10	19
	06	201.06 SMB 13	201.06 SMF 13	BSP 1/4	22	58	11	19
		201.06 SMB 17	201.06 SMF 17	BSP 3/8	22	59	12	19
		201.06 SMB 1415	201.06 SMF 1415	M14x1.5	22	57	10	19
	07	201.07 SMB 17	201.07 SMF 17	BSP 3/8	30	68	12	24
		201.07 SMB 1615	201.07 SMF 1615	M16x1.5	30	67	11	24
	12	201.12 SMB 21	201.12 SMF 21	BSP 1/2	40	82	15	32
		201.12 SMB 26	201.12 SMF 26	BSP 3/4	40	84	17	32
		201.12 SMB 1815	201.12 SMF 1815	M18x1.5	40	78	11	32
		201.12 SMF 2215	201.12 SMF 2215	M22x1.5	40	79	12	32
	19	201.19 SMB 26	201.19 SMF 26	BSP 3/4	54	100	17	46
		201.19 SMB 33	201.19 SMF 33	BSP 1	54	103	20	46
		201.19 SMB 2615	201.19 SMF 2615	M26x1.5	54	95	12	46
		201.19 SMB 3015	201.19 SMF 3015	M30x1.5	54	97	14	46
	25	201.25 SMB 48	201.25 SMF 48	BSP 1-1/2	62	132	22	55
		201.25 SMB 3815	201.25 SMF 3815	M38x1.5	62	124	14	55
	32	201.32 SMB 4515	-	M45x1.5	82	128	16	75
	32	-	201.32 SMF 4515	M45x1.5	82	103	16	70
50	201.50 SMB 6520	-	M65x2.0	112	159	18	100	
50	-	201.50 SMF 6520	M65x2.0	112	126	18	100	

rtc TYPE 201

Male long thread socket with 60° sealing cone / Kupplung mit langem Aussengewinde 60° Dichtkonus

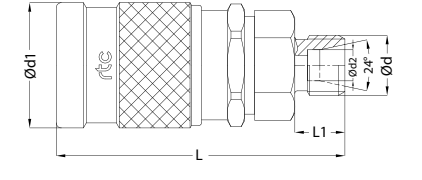


Socket / Kupplung	Size Größe	Order No / Bestellnr. With Valve / Mit Ventil	Order No / Bestellnr. Without Valve / Ohne Ventil	Ød	Ød1	L	L1	HEX.
	06	201.05 SMB 1415x32	201.05 SMF 1415x32	M14x1.5	25	79	32	19
	06	201.06 SMB 1415x32	201.06 SMF 1415x32	M14x1.5	22	79	32	19
	07	201.07 SMB 1615x34	201.07 SMF 1615x34	M16x1.5	30	90	34	24
	12	201.12 SMB 2215x39	201.12 SMF 2215x39	M22x1.5	40	106	39	32
	19	201.19 SMB 3015x45	201.19 SMF 3015x45	M30x1.5	54	128	45	46

rtc TYPE 201

Male thread socket with 24° sealing cone / Kupplung mit Aussengewinde 24° Dichtkonus

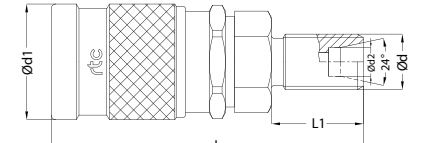


Socket / Kupplung	Size Größe	Order No / Bestellnr. With Valve / Mit Ventil	Order No / Bestellnr. Without Valve / Ohne Ventil	Ød	Ød1	Ød2	L	L1	HEX.
	06	201.05 SMB 1215-06	201.05 SMF 1215-06	M12x1.5	25	6	57	10	19
		201.05 SMB 1415-08	201.05 SMF 1415-08	M14x1.5	25	8	57	10	19
		201.05 SMB 1615-08	201.05 SMF 1615-08	M16x1.5	25	8	59	12	19
		201.05 SMB 1615-10	201.05 SMF 1615-10	M16x1.5	25	10	58	11	19
		201.05 SMB 1815-10	201.05 SMF 1815-10	M18x1.5	25	10	59	12	19
		201.05 SMB 1815-12	201.05 SMF 1815-12	M18x1.5	25	12	58	11	19
		201.05 SMB 2015-12	201.05 SMF 2015-12	M20x1.5	25	12	59	12	22
	06	201.06 SMB 1215-06	201.06 SMF 1215-06	M12x1.5	22	6	57	10	19
		201.06 SMB 1415-08	201.06 SMF 1415-08	M14x1.5	22	8	57	10	19
		201.06 SMB 1615-08	201.06 SMF 1615-08	M16x1.5	22	8	59	12	19
		201.06 SMB 1615-10	201.06 SMF 1615-10	M16x1.5	22	10	58	11	19
		201.06 SMB 1815-10	201.06 SMF 1815-10	M18x1.5	22	10	59	12	19
		201.06 SMB 1815-12	201.06 SMF 1815-12	M18x1.5	22	12	58	11	19
		201.06 SMB 2015-12	201.06 SMF 2015-12	M20x1.5	22	12	59	12	22
	07	201.07 SMB 1415-08	201.07 SMF 1415-08	M14x1.5	30	8	66	10	24
		201.07 SMB 1615-10	201.07 SMF 1615-10	M16x1.5	30	10	67	11	24
		201.07 SMB 1815-10	201.07 SMF 1815-10	M18x1.5	30	10	68	12	24
		201.07 SMB 1815-12	201.07 SMF 1815-12	M18x1.5	30	12	67	11	24
		201.07 SMB 2015-12	201.07 SMF 2015-12	M20x1.5	30	12	68	12	24
	12	201.12 SMB 1815-12	201.12 SMF 1815-12	M18x1.5	40	12	78	11	32
		201.12 SMB 2215-15	201.12 SMF 2215-15	M22x1.5	40	15	79	12	32
		201.12 SMB 2415-16	201.12 SMF 2415-16	M24x1.5	40	16	81	14	32
	19	201.19 SMB 2615-18	201.19 SMF 2615-18	M26x1.5	54	18	95	12	46
		201.19 SMB 3020-20	201.19 SMF 3020-20	M30x2.0	54	20	97	14	46
		201.19 SMB 3020-22	201.19 SMF 3020-22	M30x2.0	54	22	99	16	46
		201.19 SMB 3620-25	201.19 SMF 3620-25	M36x2.0	54	25	101	18	46
	25	201.25 SMB 4220-30	201.25 SMF 4220-30	M42x2.0	62	30	130	20	55
	32	201.32 SMB 5220-38	201.32 SMF 5220-38	M52x2.0	82	38	134	22	75
50	201.50 SMB 5220-42	201.50 SMF 5220-42	M52x2.0	112	42	158	22	100	

rtc TYPE 201

Male long thread socket with 24° sealing cone / Kupplung mit langem Aussengewinde 24° Dichtkonus

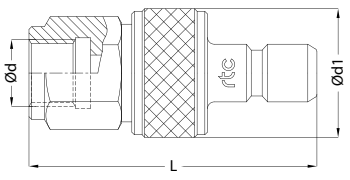


Socket / Kupplung	Size Größe	Order No / Bestellnr. With Valve / Mit Ventil	Order No / Bestellnr. Without Valve / Ohne Ventil	Ød	Ød1	Ød2	L	L1	HEX.
	06	201.05 SMB 1415-08x32	201.05 SMF 1415-08x32	M14x1.5	25	8	79	32	19
		201.05 SMB 1615-10x32	201.05 SMF 1615-10x32	M16x1.5	25	10	79	32	19
	06	201.06 SMB 1415-08x32	201.06 SMF 1415-08x32	M14x1.5	22	8	79	32	19
		201.06 SMB 1615-10x32	201.06 SMF 1615-10x32	M16x1.5	22	10	79	32	19



Female thread plug / Nippel mit Innengewinde

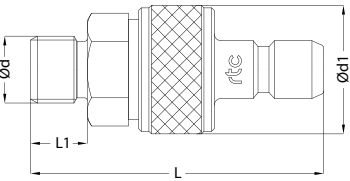
TYPE 201 

Plug / Nippel	Size Größe	Order No / Bestellnr. With Valve / Mit Ventil	Ød	Ød1	L	HEX.
	06	201.05 PFB 13	BSP 1/4	25	57	19
		201.05 PFB 17	BSP 3/8	25	58	22
	06	201.06 PFB 13	BSP 1/4	22	55	19
		201.06 PFB 17	BSP 3/8	22	56	22
	07	201.07 PFB 17	BSP 3/8	30	67	24
		201.07 PFB 21	BSP 1/2	30	70	27
	12	201.12 PFB 21	BSP 1/2	40	81	32
		201.12 PFB 26	BSP 3/4	40	83	32
	19	201.19 PFB 26	BSP 3/4	54	93	46
		201.19 PFB 33	BSP 1	54	97	46
	25	201.25 PFB 48	BSP 1-1/2	62	140	55
	32	201.32 PFB 48	BSP 1-1/2	82	125	75
		201.32 PFB 60	BSP 2	82	129	75
	50	201.50 PFB 60	BSP 2	112	158	100
		201.50 PFB 75	BSP 2-1/2	112	167	100



Male thread plug / Nippel mit Aussengewinde

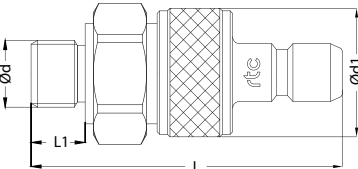
TYPE 201 

Plug / Nippel	Size Größe	Order No / Bestellnr. With Valve / Mit Ventil	Ød	Ød1	L	L1	HEX.
	06	201.05 PMB 13-00	BSP 1/4	25	58	11	19
		201.05 PMB 17-00	BSP 3/8	25	59	12	19
		201.05 PMB 21-00	BSP 1/2	25	62	15	22
	06	201.06 PMB 13-00	BSP 1/4	22	56	11	19
		201.06 PMB 17-00	BSP 3/8	22	57	12	19
		201.06 PMB 21-00	BSP 1/2	22	60	15	22
	07	201.07 PMB 17-00	BSP 3/8	30	67	12	24
		201.07 PMB 21-00	BSP 1/2	30	70	15	24
	12	201.12 PMB 21-00	BSP 1/2	40	82	15	32
		201.12 PMB 26-00	BSP 3/4	40	84	17	32
		201.12 PMB 33-00	BSP 1	40	88	20	36
	19	201.19 PMB 26-00	BSP 3/4	54	99	17	46
		201.19 PMB 33-00	BSP 1	54	102	20	46
	25	201.25 PMB 48-00	BSP 1-1/2	62	133	22	55
	32	201.32 PMB 48-00	BSP 1-1/2	82	138	22	75
		201.32 PMB 60-00	BSP 2	82	142	26	75
	50	201.50 PMB 60-00	BSP 2	112	162	26	100
		201.50 PMB 75-00	BSP 2-1/2	112	164	30	100



Male thread plug with sealing edge / Nippel mit Aussengewinde / Abdichtung am Rand

TYPE 201 

Plug / Nippel	Size Größe	Order No / Bestellnr. With Valve / Mit Ventil	Ød	Ød1	L	L1	HEX.
	06	201.05 PMB 17-SE	BSP 3/8	25	62	12	27
	06	201.06 PMB 17-SE	BSP 3/8	22	62	12	27
	07	201.07 PMB 17-SE	BSP 3/8	30	68	12	27
	12	201.12 PMB 21-SE	BSP 1/2	40	84	14	32
	19	201.19 PMB 26-SE	BSP 3/4	54	101	16	46

rtc TYPE 201

Male thread plug with 60° sealing cone / Nippel mit Aussengewinde 60° Dichtkonus



Plug / Nippel	Size Größe	Order No / Bestellnr. With Valve / Mit Ventil	Ød	Ød1	L	L1	HEX.
	06	201.05 PMB 13	BSP 1/4	25	58	11	19
		201.05 PMB 17	BSP 3/8	25	59	12	19
		201.05 PMB 1415	M14x1.5	25	57	10	19
	06	201.06 PMB 13	BSP 1/4	22	56	11	19
		201.06 PMB 17	BSP 3/8	22	57	12	19
		201.06 PMB 1415	M14x1.5	22	55	10	19
	07	201.07 PMB 17	BSP 3/8	30	67	12	24
		201.07 PMB 1615	M16x1.5	30	67	11	24
	12	201.12 PMB 21	BSP 1/2	40	82	15	32
		201.12 PMB 26	BSP 3/4	40	84	17	32
		201.12 PMB 1815	M18x1.5	40	78	11	32
		201.12 PMB 2215	M22x1.5	40	79	12	32
19	201.19 PMB 26	BSP 3/4	54	99	17	46	
	201.19 PMB 33	BSP 1	54	102	20	46	
	201.19 PMB 2615	M26x1.5	54	94	12	46	
	201.19 PMB 3015	M30x1.5	54	96	14	46	
25	201.25 PMB 48	BSP 1-1/2	62	133	22	62	
	201.25 PMB 3815	M38x1.5	62	125	14	62	
32	201.32 PMB 4515	M45x1.5	82	103	16	70	
50	201.50 PMB 6520	M65x2.0	112	159	18	100	

rtc TYPE 201

Male long thread plug with 60° sealing cone / Nippel mit langem Aussengewinde 60° Dichtkonus



Plug / Nippel	Size Größe	Order No / Bestellnr. With Valve / Mit Ventil	Ød	Ød1	L	L1	HEX.
	06	201.05 PMB 1415x32	M14x1.5	25	79	32	19
	06	201.06 PMB 1415x32	M14x1.5	22	77	32	19
	07	201.07 PMB 1615x34	M16x1.5	30	88	34	24
	12	201.12 PMB 2215x39	M22x1.5	40	106	39	32
	19	201.19 PMB 3015x45	M30x1.5	54	127	45	46

rtc TYPE 201

Male thread plug with 24° sealing cone / Nippel mit Aussengewinde 24° Dichtkonus

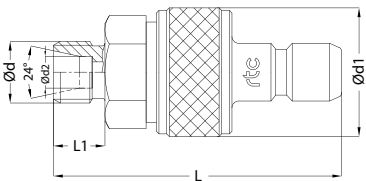


Plug / Nippel	Size Größe	Order No / Bestellnr. With Valve / Mit Ventil	Ød	Ød1	Ød2	L	L1	HEX.
	06	201.05 PMB 1215-06	M12x1.5	25	6 mm	57	10	19
		201.05 PMB 1415-08	M14x1.5	25	8 mm	57	10	19
		201.05 PMB 1615-08	M16x1.5	25	8 mm	59	12	19
		201.05 PMB 1615-10	M16x1.5	25	10 mm	58	11	19
		201.05 PMB 1815-10	M18x1.5	25	10 mm	59	12	19
		201.05 PMB 1815-12	M18x1.5	25	12 mm	58	11	19
		201.05 PMB 2015-12	M20x1.5	25	12 mm	59	12	22



Male thread plug with 24° sealing cone / Nippel mit Aussengewinde 24° Dichtkonus

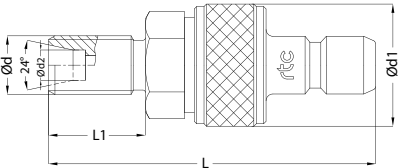
TYPE 201 

Plug / Nippel	Size Größe	Order No / Bestellnr. With Valve / Mit Ventil	Ød	Ød1	Ød2	L	L1	HEX.
	06	201.06 PMB 1215-06	M12x1.5	22	6 mm	55	10	19
		201.06 PMB 1415-08	M14x1.5	22	8 mm	55	10	19
		201.06 PMB 1615-08	M16x1.5	22	8 mm	57	12	19
		201.06 PMB 1615-10	M16x1.5	22	10 mm	56	11	19
		201.06 PMB 1815-10	M18x1.5	22	10 mm	57	12	19
		201.06 PMB 1815-12	M18x1.5	22	12 mm	56	11	19
		201.06 PMB 2015-12	M20x1.5	22	12 mm	57	12	22
07	201.07 PMB 1415-08	M14x1.5	30	8 mm	65	10	24	
	201.07 PMB 1615-10	M16x1.5	30	10 mm	66	11	24	
	201.07 PMB 1815-10	M18x1.5	30	10 mm	67	12	24	
	201.07 PMB 1815-12	M18x1.5	30	12 mm	66	11	24	
	201.07 PMB 2015-12	M20x1.5	30	12 mm	67	12	24	
12	201.12 PMB 1815-12	M18x1.5	40	12 mm	78	11	32	
	201.12 PMB 2215-15	M22x1.5	40	15 mm	79	12	32	
	201.12 PMB 2415-16	M24x1.5	40	16 mm	81	14	32	
19	201.19 PMB 2615-18	M26x1.5	54	18 mm	94	12	46	
	201.19 PMB 3020-20	M30x2.0	54	20 mm	98	16	46	
	201.19 PMB 3020-22	M30x2.0	54	22 mm	96	14	46	
	201.19 PMB 3620-25	M36x2.0	54	25 mm	100	18	46	
25	201.25 PMB 4220-30	M42x2.0	62	30 mm	131	20	55	
32	201.32 PMB 5220-38	M52x2.0	82	38 mm	133	22	75	
50	201.50 PMB 5220-42	M52x2.0	112	42 mm	158	16	100	



Male long thread plug with 24° sealing cone / Nippel mit langem Aussengewinde 24° Dichtkonus

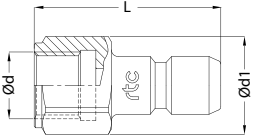
TYPE 201 

Plug / Nippel	Size Größe	Order No / Bestellnr. With Valve / Mit Ventil	Ød	Ød1	Ød2	L	L1	HEX.
	06	201.05 PMB 1415-08x32	M14x1.5	25	8 mm	77	32	19
		201.05 PMB 1615-10x32	M16x1.5	25	10 mm	77	32	19
	06	201.06 PMB 1415-08x32	M14x1.5	22	8 mm	79	32	19
		201.06 PMB 1615-10x32	M16x1.5	22	10 mm	79	32	19



Female thread plug without valve / Nippel mit Innengewinde ohne Ventil

TYPE 201 

Plug / Nippel	Size Größe	Order No / Bestellnr. Without Valve / Ohne Ventil	Ød	Ød1	L	HEX
	06	201.06 PFF 13	BSP 1/4	20	36	17
		201.06 PFF 17	BSP 3/8	24	37	22
	32	201.32 PFF 48	BSP 1-1/2	66	75	60
		201.32 PFF 60	BSP 2	78	77	70
	50	201.50 PFF 60	BSP 2	92	86	85
		201.50 PFF 75	BSP 2-1/2	92	89	85

rtc TYPE 201

Male thread plug without valve / Nippel mit Aussengewinde ohne Ventil



Plug / Nippel	Size Größe	Order No / Bestellnr. Without Valve / Ohne Ventil	Ød	Ød1	L	L1	HEX.
	06	201.06 PMF 10-00	BSP 1/8	16	34	8	14
		201.06 PMF 13-00	BSP 1/4	20	37	11	14
		201.06 PMF 17-00	BSP 3/8	22	38	12	19
	32	201.32 PMF 48-00	BSP 1-1/2	60	82	22	55
		201.32 PMF 60-00	BSP 2	73	88	26	65
	50	201.50 PMF 60-00	BSP 2	92	92	26	85
		201.50 PMF 75-00	BSP 2-1/2	92	96	30	85

rtc TYPE 201

Male thread plug with 60° sealing cone without valve / Nippel mit Aussengewinde 60° Dichtkonus ohne Ventil



Plug / Nippel	Size Größe	Order No / Bestellnr. Without Valve / Ohne Ventil	Ød	Ød1	L	L1	HEX
	32	201.32 PMF 4515	M45x1.5	62	71	16	55
	50	201.50 PMF 6520	M65x2.0	92	93	18	85

rtc TYPE 201

Male thread plug with 24° sealing cone without valve / Nippel mit Aussengewinde 24° Dichtkonus ohne Ventil



Plug / Nippel	Size Größe	Order No / Bestellnr. Without Valve / Ohne Ventil	Ød	Ød1	Ød2	L1	L1	HEX
	32	201.32 PMF 5220-38	M52x2.0	67	38 mm	82	22	60
	50	201.50 PMF 5220-42	M52x2.0	92	42 mm	91	16	85



rtc[®]

COUPLING TECHNOLOGY



HIGH PRESSURE TYPE

202

rtc TYPE



Temperature Range - Temperaturbereich

Nitrile (N)	-20°C + 100°C (-4°F + 212°F)
FPM (V)	-20°C + 180°C (-4°F + 356°F)
EPDM (Ethylene Propylene)	-40°C + 150°C (-40°F + 302°F)

Max. Working Pressure - Max. Betriebsdruck

Please Check the table below

Flow size - Nennweite

rtc 202.04	4 mm
rtc 202.06	6 mm
rtc 202.10	10 mm
rtc 202.16	16 mm
rtc 202.20	20 mm
rtc 202.32	32 mm

Material of Standard Coupler

Material für die Standardversion

Socket body - Kupplungsgrundkörper	Steel tenifer threaded - Stahl teneferiert
Valve - Ventil	Steel tenifer threaded - Stahl teneferiert
Springs - Federn	Stainless Steel - Edelstahl
Balls - Kugeln	Stainless Steel - Edelstahl
Locking Ring - Sprengring	Stainless Steel - Edelstahl
Plug - Nippel	Steel tenifer threaded Stahl teneferiert

Compatible - Kompatibilität

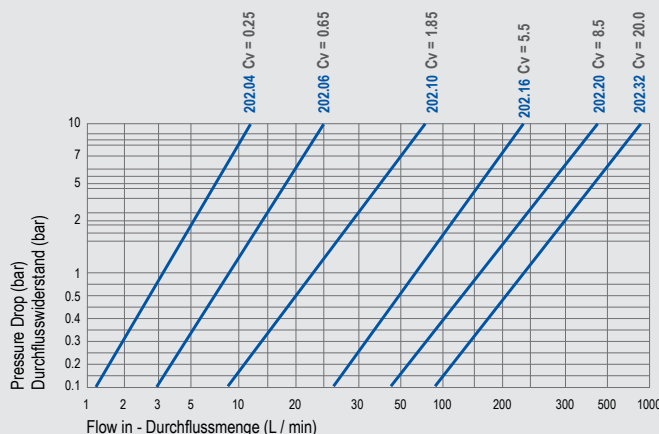
rtc 202.04	HP-004
rtc 202.06	HP-006
rtc 202.10	HP-010
rtc 202.16	HP-016
rtc 202.20	HP-020
rtc 202.32	HP-032

Options / Optionen	Add	Example Code
Steel Stahl	ST	202.06 SMB 13- ST
Chemical Nickel Plated Chemisch Vernickelt	KN	202.06 SMB 13- ST-KN



Nominal Ø Nennweite Ø	Flow Area Fläche	Maximum Working Pressure (Bar) - Maximaler Betriebsdruck (Bar)		
		Steel - ST	316L Stainless - SS	420 Stainless - SS
4 mm	13 mm ²	2.000	500	1.000
6 mm	30 mm ²	1.000	320	650
10 mm	80 mm ²	600	300	470
16 mm	200 mm ²	500	250	450
20 mm	315 mm ²	400	180	350
32 mm	800 mm ²	300	180	250

Flow Rate vs Pressure Drop Graph / Durchflussrate vs Druckabfall



202
rtc TYPE

rtc TYPE 202

Female thread socket / Kupplung mit Innengewinde



Socket / Kupplung	Size Größe	Order No / Bestellnr. With Valve / Mit Ventil	Order No / Bestellnr. Without Valve / Ohne Ventil	Ød	Ød1	L	HEX.
	04	202.04 SNB 13	202.04 SNF 13	NPT 1/4	30	69	22
	06	202.06 SFB 17	202.06 SFF 17	BSP 3/8	34	75	30
		202.06 SNB 17	202.06 SNF 17	NPT 3/8	34	82	30
	10	202.10 SFB 21	202.10 SFF 21	BSP 1/2	46	97	41
		202.10 SNB 21	202.10 SNF 21	NPT 1/2	46	101	41
	16	202.16 SFB 26	202.16 SFF 26	BSP 3/4	56	111	46
	20	202.20 SFB 33	202.20 SFF 33	BSP 1	62	123	55

rtc TYPE 202

Male thread socket / Kupplung mit Aussengewinde



Socket / Kupplung	Size Größe	Order No / Bestellnr. With Valve / Mit Ventil	Order No / Bestellnr. Without Valve / Ohne Ventil	Ød	Ød1	L	L1	HEX.
	04	202.04 STB 13-00	202.04 STF 13-00	NPT 1/4	30	72	14	22
	06	202.06 SMB 17-00	202.06 SMF 17-00	BSP 3/8	34	76	15	30
		202.06 STB 17-00	202.06 STF 17-00	NPT 3/8	34	76	15	30
	10	202.10 SMB 21-00	202.10 SMF 21-00	BSP 1/2	46	98	17	41
	16	202.16 SMB 26-00	202.16 SMF 26-00	BSP 3/4	56	116	19	46
	20	202.20 SMB 33-00	202.20 SMF 33-00	BSP 1	62	120	21	55
	32	202.32 SMB 48-00	202.32 SMF 48-00	BSP 1-1/2	90	145	25	80
		202.32 SMB 60-00	202.32 SMF 60-00	BSP 2	90	150	30	80

rtc TYPE 202

Male thread socket with 60° sealing cone / Kupplung mit Aussengewinde 60° Dichtkonus



Socket / Kupplung	Size Größe	Order No / Bestellnr. With Valve / Mit Ventil	Order No / Bestellnr. Without Valve / Ohne Ventil	Ød	Ød1	L	L1	HEX.
	04	202.04 SMB 13	202.04 SMF 13	BSP 1/4	30	70	12	22
	06	202.06 SMB 17	202.06 SMF 17	BSP 3/8	34	78	12	30
		202.06 STB 17	202.06 STF 17	NPT 3/8	34	81	15	30
		202.06 SMB 1415	202.06 SMF 1415	M14x1.5	34	76	10	30
		202.06 SMB 1615	202.06 SMF 1615	M16x1.5	34	77	11	30
	10	202.10 SMB 21	202.106 SMF 21	BSP 1/2	46	96	15	41
		202.10 SMB 1815	202.10 SMF 1815	M18x1.5	46	92	11	41
		202.10 SMB 2215	202.10 SMF 2215	M22x1.5	46	93	12	41
	16	202.16 SMB 26	202.16 SMF 26	BSP 3/4	56	114	17	46
		202.16 SMB 2215	202.16 SMF 2215	M22x1.5	56	109	12	46
	20	202.20 SMB 33	202.20 SMF 33	BSP 1	62	119	20	55
		202.20 SMB 2615	202.20 SMF 2615	M26x1.5	62	111	12	55
		202.20 SMB 3015	202.20 SMF 3015	M30x1.5	62	113	14	55
	32	202.32 SMB 3815	202.32 SMF 3815	M38x1.5	90	134	14	80
		202.32 SMB 4515	202.32 SMF 4515	M45x1.5	90	136	16	80



Male thread socket with 24° sealing cone / Kupplung mit Aussengewinde 24° Dichtkonus

TYPE 202

Socket / Kupplung	Size Größe	Order No / Bestellnr. With Valve / Mit Ventil	Order No / Bestellnr. Without Valve / Ohne Ventil	Ød	Ød1	Ød2	L	L1	HEX.
	06	202.06 SMB 1615-08	202.06 SMF 1615-08	M16x1.5	34	8	73	12	30
		202.06 SMB 1815-10	202.06 SMF 1815-10	M18x1.5	34	10	73	12	30
		202.06 SMB 2015-12	202.06 SMF 2015-12	M20x1.5	34	12	73	12	30
	10	202.10 SMB 2015-12	202.10 SMF 2015-12	M20x1.5	46	12	93	12	41
		202.10 SMB 2215-14	202.10 SMF 2215-14	M22x1.5	46	14	95	14	41
		202.10 SMB 2415-16	202.10 SMF 2415-16	M24x1.5	46	16	95	14	41
	16	202.16 SMB 2415-16	202.16 SMF 2415-16	M24x1.5	56	16	111	14	46
		202.16 SMB 3020-20	202.16 SMF 3020-20	M30x2.0	56	20	113	16	46
	20	202.20 SMB 3020-20	202.20 SMF 3020-20	M30x2.0	62	20	115	16	55
		202.20 SMB 3620-25	202.20 SMF 3620-25	M36x2.0	62	25	117	18	55
	32	202.32 SMB 4220-30	202.32 SMF 4220-30	M42x2.0	90	30	140	20	80
		202.32 SMB 5220-38	202.32 SMF 5220-38	M52x2.0	90	38	142	22	80



Male thread socket / Kupplung mit Aussengewinde

TYPE 202

Socket / Kupplung	Size Größe	Order No / Bestellnr. With Valve / Mit Ventil	Order No / Bestellnr. Without Valve / Ohne Ventil	Ød	Ød1	L	L1	HEX.
	04	202.04 SUB 1418	202.04 SUF 1418	UNF 9/16-18	30	76	18	22



Female thread plug / Nippel mit Innengewinde

TYPE 202

Plug / Nippel	Size Größe	Order No / Bestellnr. With Valve / Mit Ventil	Ød	Ød1	L	HEX.
	04	202.04 PNB 13	NPT 1/4	30	69	22
		06	202.06 PFB 17	BSP 3/8	34	73
	202.06 PNB 17		NPT 3/8	34	80	30
	10	202.10 PFB 21	BSP 1/2	46	97	41
		202.10 PNB 21	NPT 1/2	46	101	41
	16	202.16 PFB 26	BSP 3/4	56	110	46
	20	202.20 PFB 33	BSP 1	62	123	55

rtc TYPE 202

Male thread plug / Nippel mit Aussengewinde



Plug / Nippel	Size Größe	Order No / Bestellnr. With Valve / Mit Ventil	Ød	Ød1	L	L1	HEX.
	04	202.04 PTB 13-00	NPT 1/4	30	72	14	22
	06	202.06 PMB 17-00	BSP 3/8	34	80	12	30
	10	202.10 PMB 21-00	BSP 1/2	46	98	17	41
	16	202.16 PMB 26-00	BSP 3/4	56	116	19	46
	20	202.20 PMB 33-00	BSP 1	62	120	21	55
	32	202.32 PMB 48-00	BSP 1-1/2	90	145	25	80
	32	202.32 PMB 60-00	BSP 2	90	150	30	80

rtc TYPE 202

Male thread plug with 60° sealing cone / Nippel mit Aussengewinde 60° Dichtkonus



Plug / Nippel	Size Größe	Order No / Bestellnr. With Valve / Mit Ventil	Ød	Ød1	L	L1	HEX.
	04	202.04 PMB 13	BSP 1/4	30	70	12	22
	06	202.06 PMB 17	BSP 3/8	34	71	12	30
		202.06 PTB 17	NPT 3/8	34	74	15	30
		202.06 PMB 1415	M14x1.5	34	69	10	30
		202.06 PMB 1615	M16x1.5	34	70	11	30
	10	202.10 PMB 21	BSP 1/2	46	96	15	41
		202.10 PMB 1815	M18x1.5	46	92	11	41
		202.10 PMB 2215	M22x1.5	46	93	12	41
	16	202.16 PMB 26	BSP 3/4	56	114	17	46
		202.16 PMB 2215	M22x1.5	56	109	12	46
	20	202.20 PMB 33	BSP 1	62	119	20	55
		202.20 PMB 2615	M26x1.5	62	111	12	55
		202.20 PMB 3015	M30x1.5	62	113	14	55
	32	202.32 PMB 3815	M38x1.5	90	134	14	80
		202.32 PMB 4515	M45x1.5	90	136	16	80

rtc TYPE 202

Male thread plug with 24° sealing cone / Nippel mit Aussengewinde 24° Dichtkonus



Plug / Nippel	Size Größe	Order No / Bestellnr. With Valve / Mit Ventil	Ød	Ød1	Ød2	L	L1	HEX.
	06	202.06 PMB 1615-08	M16x1.5	34	8 mm	71	12	30
		202.06 PMB 1815-10	M18x1.5	34	10 mm	71	12	30
		202.06 PMB 2015-12	M20x1.5	34	12 mm	71	12	30
	10	202.10 PMB 2015-12	M20x1.5	46	12 mm	93	12	41
		202.10 PMB 2215-14	M22x1.5	46	14 mm	95	14	41
		202.10 PMB 2415-16	M24x1.5	46	16 mm	95	14	41
	16	202.16 PMB 2415-16	M24x1.5	56	16 mm	111	14	46
		202.16 PMB 3020-20	M30x2.0	56	20 mm	113	16	46
	20	202.20 PMB 3020-20	M30x2.0	62	20 mm	115	16	55
		202.20 PMB 3620-25	M36x2.0	62	25 mm	117	18	55
	32	202.32 PMB 4220-30	M42x2.0	90	30 mm	140	20	80
		202.32 PMB 5220-38	M52x2.0	90	38 mm	142	22	80



Male thread socket / Kupplung mit Aussengewinde

TYPE 202 **rtc**

Plug / Nippel	Size Größe	Order No / Bestellnr. With Valve / Mit Ventil	Ød	Ød1	L	L1	HEX.
	04	202.04 PUB 1418	UNF 9/16-18	30	76	18	22



Male thread plug without valve / Nippel mit Aussengewinde ohne Ventil

TYPE 202 **rtc**

Plug / Nippel	Size Größe	Order No / Bestellnr. Without Valve / Ohne Ventil	Ød	Ød1	L	L1	HEX.
	06	202.06 PMF 17-00	BSP 3/8	25	54	15	22
	10	202.10 PMF 21-00	BSP 1/2	30	63	17	27
	16	202.16 PMF 26-00	BSP 3/4	40	72	19	36
	20	202.20 PMF 33-00	BSP 1	45	74	21	41
	32	202.32 PMF 48-00 202.32 PMF 60-00	BSP 1-1/2 BSP 2	62 86	91 93	25 27	55 75



Male thread plug without valve / Nippel mit Aussengewinde ohne Ventil

TYPE 202 **rtc**

Plug / Nippel	Size Größe	Order No / Bestellnr. Without Valve / Ohne Ventil	Ød	Ød1	L	L1	HEX.
	04	202.04 PUF 1418	UNF 9/16-18	19	51	18	17



rtc[®]

COUPLING TECHNOLOGY



203

rtc TYPE



Temperature Range - Temperaturbereich

Nitrile (N)	-20°C + 100°C (-4°F + 212°F)
FPM (V)	-20°C + 180°C (-4°F + 356°F)
EPDM (Ethylene Propylene)	-40°C + 150°C (-40°F + 302°F)

Max. Working Pressure - Max. Betriebsdruck

Please Check the table below

Flow size - Nennweite

rtc 203.09	9 mm
rtc 203.12	12 mm
rtc 203.19	19 mm
rtc 203.32	32 mm
rtc 203.50	50 mm

Material of Steel Coupler - SS Version

Material für die Stahlversion - SS Version

Socket body - Kupplungsgrundkörper	Stainless Steel - Edelstahl
Valve - Ventil	Stainless Steel - Edelstahl
Springs - Federn	Stainless Steel - Edelstahl
Balls - Kugeln	Stainless Steel - Edelstahl
Locking Ring - Sprengring	Stainless Steel - Edelstahl

Plug - Nippel	Stainless Steel - Edelstahl
---------------	--------------------------------

Compatible - Kompatibilität

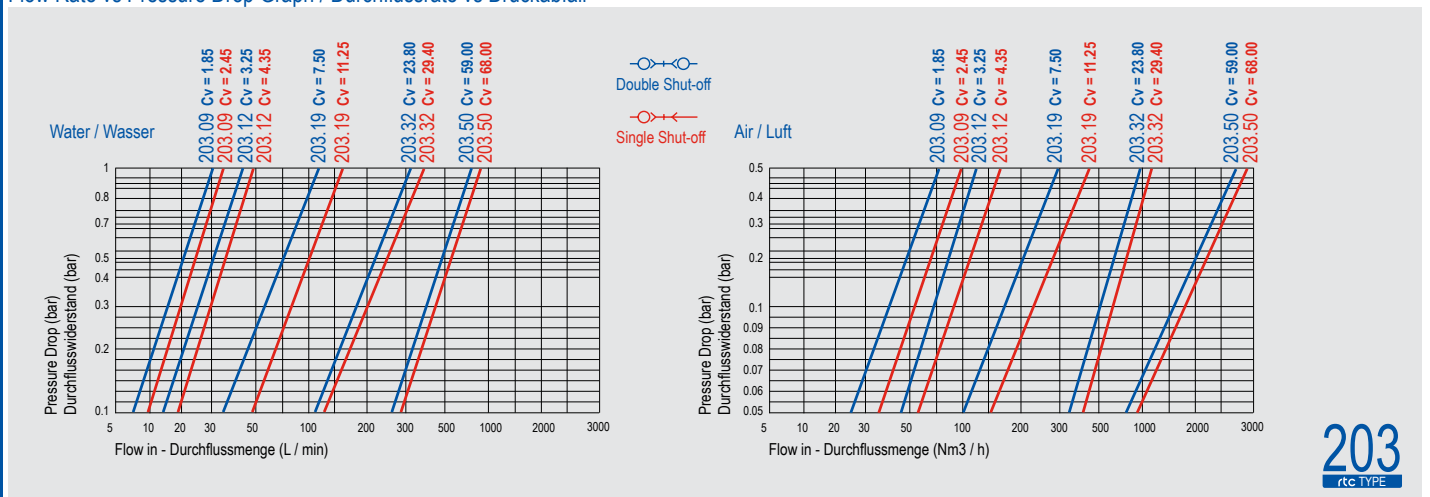
rtc 203.09	TE-009
rtc 203.12	TE-012
rtc 203.19	TE-019
rtc 203.32	TE-032
rtc 203.50	TE-050

Options / Optionen	Add	Example Code
Stainless Steel AISI 303 Edelstahl AISI 303	S3	203.09 SMB 13-S3
Stainless Steel AISI 316L Edelstahl AISI 316L	S6	203.09 SMB 13-S6
Safety Sicherheit	S	203.09 SMB 13-ST-S
Ring Handling Grip Ring Handhabung Grip	VT	203.50 SFF 60-VT



Nominal Ø Nennweite Ø	Flow Area Fläche	Maximum Working Pressure (Bar) - Maximaler Betriebsdruck (Bar)		
		Stainless - SS	Brass - MS	Steel - ST
9 mm	64 mm²	50	50	100
12 mm	120 mm²	20	20	50
19 mm	300 mm²	15	15	50
32 mm	800 mm²	15	15	40
50 mm	2010 mm²	10	10	30

Flow Rate vs Pressure Drop Graph / Durchflussrate vs Druckabfall



rtc TYPE 203

Female thread socket / Kupplung mit Innengewinde



Socket / Kupplung	Size Größe	Order No / Bestellnr. With Valve / Mit Ventil	Order No / Bestellnr. Without Valve / Ohne Ventil	Ød	Ød1	L	HEX.
	09	203.09 SFB 17	203.09 SFF 17	BSP 3/8	32	89	28
	12	203.12 SFB 21	203.12 SFF 21	BSP 1/2	39	109	36
	19	203.19 SFB 33	203.19 SFF 33	BSP 1	50	146	46
	32	203.32 SFB 48-VT	203.32 SFF 48-VT	BSP 1-1/2	85	178	80
	50	203.50 SFB 60-VT	203.50 SFF 60-VT	BSP 2	110	214	100

rtc TYPE 203

Male thread socket / Kupplung mit Aussengewinde



Socket / Kupplung	Size Größe	Order No / Bestellnr. With Valve / Mit Ventil	Order No / Bestellnr. Without Valve / Ohne Ventil	Ød	Ød1	L	L1	HEX.
	09	203.09 SMB 17-00	203.09 SMF 17-00	BSP 3/8	32	89	12	27
	12	203.12 SMB 21-00	203.12 SMF 21-00	BSP 1/2	39	107	15	55
	19	203.19 SMB 33-00	203.19 SMF 33-00	BSP 1	50	151	20	55
	32	203.32 SMB 48-00-VT	203.32 SMF 48-00-VT	BSP 1-1/2	85	185	22	55
	50	203.50 SMB 60-00-VT	203.50 SMF 60-00-VT	BSP 2	110	227	26	55

rtc TYPE 203

Female thread plug / Nippel mit Innengewinde



Plug / Nippel	Size Größe	Order No / Bestellnr. With Valve / Mit Ventil	Ød	Ød1	L	HEX.
	09	203.09 PFB 17	BSP 3/8	32	57	19
	12	203.12 PFB 21	BSP 1/2	39	55	19
	19	203.19 PFB 33	BSP 1	50	55	19
	32	203.32 PFB 48	BSP 1-1/2	85	55	19
	50	203.50 PFB 60	BSP 2	110	55	19

rtc TYPE 203

Male thread plug / Nippel mit Aussengewinde



Plug / Nippel	Size Größe	Order No / Bestellnr. With Valve / Mit Ventil	Ød	Ød1	L	L1	HEX.
	09	203.09 PMB 17-00	BSP 3/8	32	64	12	27
	12	203.13 PMB 21-00	BSP 1/2	39	84	14	32
	19	203.19 PMB 33-00	BSP 1	50	84	14	32
	32	203.32 PMB 48-00	BSP 1-1/2	85	84	14	32
	50	203.50 PMB 60-00	BSP 2	110	84	14	32

Female thread plug without valve / Nippel mit Innengewinde ohne Ventil TYPE 203 **rtc**

Plug / Nippel	Size Größe	Order No / Bestellnr. Without Valve / Ohne Ventil	Ød	Ød1	L	HEX.
	09	203.09 PFF 17	BSP 3/8	30	56	27
	12	203.12 PFF 21	BSP 1/2	39	60	36
	19	203.19 PFF 33	BSP 1	45	81	41
	32	203.32 PFF 48	BSP 1-1/2	65	102	60
	50	203.50 PFF 60	BSP 2	82	125	75

Male thread plug without valve / Nippel mit Aussengewinde ohne Ventil TYPE 203 **rtc**

Plug / Nippel	Size Größe	Order No / Bestellnr. Without Valve / Ohne Ventil	Ød	Ød1	L	L1	HEX.
	09	203.09 PMF 17-00	BSP 3/8	21	57	12	19
	12	203.12 PMF 21-00	BSP 1/2	33	58	15	30
	19	203.19 PMF 33-00	BSP 1	45	86	20	41
	32	203.32 PMF 48-00	BSP 1-1/2	65	108	22	60
	50	203.50 PMF 60-00	BSP 2	82	135	26	75



rtc[®]

COUPLING TECHNOLOGY



204

rtc TYPE



Temperature Range - Temperaturbereich

Nitrile (N)	-20°C + 100°C (- 4°F + 212°F)
FPM (V)	-20°C + 180°C (- 4°F + 356°F)
EPDM (Ethylene Propylene)	-40°C + 150°C (- 40°F + 302°F)

Max. Working Pressure - Max. Betriebsdruck

Please Check the table below

Flow size - Nennweite

rtc 204.06	6 mm
rtc 204.07	7 mm
rtc 204.12	12 mm
rtc 204.19	19 mm
rtc 204.32	32 mm

Material of Brass Coupler - MS Version

Material für die Messingversion - MS Version

Socket body - Kupplungsgrundkörper	Brass - Messing
Valve - Ventil	Brass - Messing
Springs - Federn	Stainless Steel - Edelstahl
Balls - Kugeln	Stainless Steel - Edelstahl
Locking Ring - Sprenging	Stainless Steel - Edelstahl

Plug - Nippel Brass - Messing

Material of Steel Coupler - ST Version

Material für die Stahlversion - ST Version

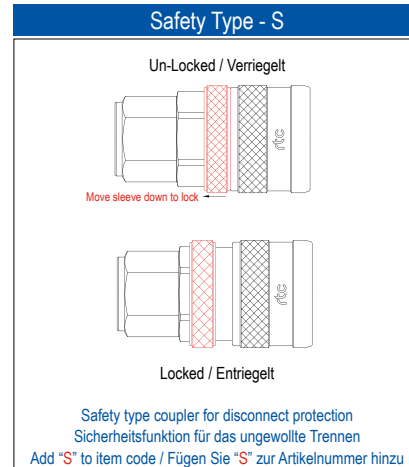
Socket body - Kupplungsgrundkörper	Steel zinc plated - Stahl verzinkt
Valve - Ventil	Brass - Messing
Springs - Federn	Stainless Steel - Edelstahl
Balls - Kugeln	Stainless Steel - Edelstahl
Locking Ring - Sprenging	Stainless Steel - Edelstahl

Plug - Nippel Steel zinc plated -
Stahl verzinkt

Compatible - Kompatibilität

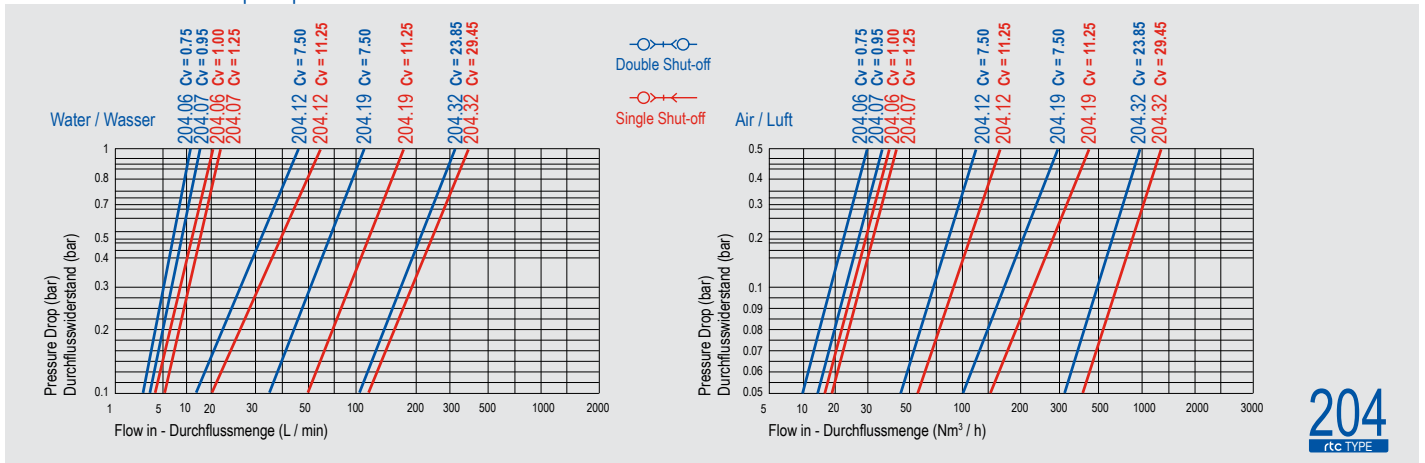
rtc 204.06	UF-006
rtc 204.07	UF-007
rtc 204.09	-
rtc 204.12	UF-012
rtc 204.19	UF-019
rtc 204.32	UF-032

Options / Optionen	Add	Example Code
Brass Messing	MS	204.06 SMB 13-MS
Steel Stahl	ST	204.06 SMB 13-ST
Stainless Steel AISI 303 Edelstahl AISI 303	S3	204.06 SMB 13-S3
Stainless Steel AISI 316L Edelstahl AISI 316L	S6	204.06 SMB 13-S6
Nickel Plated Vernickelt	NI	204.06 SMB 13-MS-NI
Zinc Nickel Plated Zink Nickel Beschichtung	CN	204.06 SMB 13-MS-CN
Chromium Plated Verchromt	CH	204.06 SMB 13-MS-CH
Chemical Nickel Plated Chemisch Vernickelt	KN	204.06 SMB 13-ST-KN
Safety Sicherheit	S	204.06 SMB 13-ST-S



Nominal Ø Nennweite Ø	Flow Area Fläche	Maximum Working Pressure for Gases (Bar) Maximaler Betriebsdruck für Gase (Bar)		Maximum Working Pressure for Liquid (Bar) Maximaler Betriebsdruck für Flüssigkeit (Bar)	
		Brass - MS	Steel - ST	Brass - MS	Steel - ST
6 mm	30 mm²	40	40	30	30
7 mm	40 mm²	40	40	25	25
12 mm	120 mm²	30	30	20	20
19 mm	300 mm²	30	30	20	20
32 mm	800 mm²	30	30	10	10

Flow Rate vs Pressure Drop Graph / Durchflussrate vs Druckabfall



rtc TYPE 204

Female thread socket / Kupplung mit Innengewinde



Socket / Kupplung	Size Größe	Order No / Bestellnr. With Valve / Mit Ventil	Order No / Bestellnr. With Valve / Mit Ventil	Ød	Ød1	L	HEX
	06	204.06 SFB 313	204.06 SFB 413	BSP 1/4	25	57	19
		204.06 SFB 317	204.06 SFB 417	BSP 3/8	25	58	22
	07	204.07 SFB 313	204.07 SFB 413	BSP 1/4	30	67	24
		204.07 SFB 317	204.07 SFB 417	BSP 3/8	30	68	24
		204.07 SFB 321	204.07 SFB 421	BSP 1/2	30	71	27
	09	204.09 SFB 317	204.09 SFB 417	BSP 3/8	32	67	25
		204.09 SFB 321	204.09 SFB 421	BSP 1/2	32	70	27
	12	204.12 SFB 321	204.12 SFB 421	BSP 1/2	40	81	32
		204.12 SFB 326	204.12 SFB 426	BSP 3/4	40	83	32
	19	204.19 SFB 326	201.19 SFB 426	BSP 3/4	60	94	46
		204.19 SFB 333	201.19 SFB 433	BSP 1	60	98	46
	32	204.32 SFB 348	204.32 SFB 448	BSP 1-1/2	82	126	75
		204.32 SFB 360	204.32 SFB 460	BSP 2	82	130	75

rtc TYPE 204

Male thread socket / Kupplung mit Aussengewinde



Socket / Kupplung	Size Größe	Order No / Bestellnr. With Valve / Mit Ventil	Order No / Bestellnr. With Valve / Mit Ventil	Ød	Ød1	L	L1	HEX.
	06	204.06 SMB 313-00	204.06 SMB 413-00	BSP 1/4	25	58	11	19
		204.06 SMB 317-00	204.06 SMB 417-00	BSP 3/8	25	59	12	19
		204.06 SMB 321-00	204.06 SMB 421-00	BSP 1/2	25	62	15	22
	07	204.07 SMB 313-00	204.07 SMB 413-00	BSP 1/4	30	67	11	24
		204.07 SMB 317-00	204.07 SMB 417-00	BSP 3/8	30	68	12	24
		204.07 SMB 321-00	204.07 SMB 421-00	BSP 1/2	30	71	15	24
	09	204.09 SMB 317-00	204.19 SMB 417-00	BSP 3/8	32	67	12	25
		204.09 SMB 321-00	204.19 SMB 421-00	BSP 1/2	32	70	15	25
	12	204.12 SMB 321-00	204.12 SMB 421-00	BSP 1/2	40	82	15	32
		204.12 SMB 326-00	204.12 SMB 426-00	BSP 3/4	40	84	17	32
		204.12 SMB 333-00	204.12 SMB 433-00	BSP 1	40	88	20	36
	19	204.19 SMB 326-00	204.19 SMB 426-00	BSP 3/4	60	100	17	46
		204.19 SMB 333-00	204.19 SMB 433-00	BSP 1	60	103	20	46
	32	204.32 SMB 348-00	204.32 SMB 448-00	BSP 1-1/2	82	139	22	75
		204.32 SMB 360-00	204.32 SMB 460-00	BSP 2	82	143	26	75

rtc TYPE 204

2 clamp hose tail socket / Kupplung mit gerader 2 Klemmschlauchfülle



Socket / Kupplung	Size Größe	Order No / Bestellnr. With Valve / Mit Ventil	Order No / Bestellnr. With Valve / Mit Ventil	Ød	Ød1	L	L1
	06	204.06 SHB 307-HT8	204.06 SHB 407-HT8	7 mm	25	80	35



Standard hose tail socket / Kupplung mit gerader Standard - Schlauchtülle

TYPE 204 **rtc**

Socket / Kupplung	Size Größe	Order No / Bestellnr. With Valve / Mit Ventil	Order No / Bestellnr. With Valve / Mit Ventil	Ød	Ød1	L	L1
	06	204.06 SHB 306	204.06 SHB 406	6 mm	25	71	25
		204.06 SHB 309	204.06 SHB 409	9 mm	25	76	30
		204.06 SHB 311	204.06 SHB 411	11 mm	25	76	30
		204.06 SHB 313	204.06 SHB 413	13 mm	25	76	30
	07	204.07 SHB 306	204.07 SHB 406	6 mm	30	81	25
		204.07 SHB 309	204.07 SHB 409	9 mm	30	86	30
		204.07 SHB 311	204.07 SHB 411	11 mm	30	86	30
		204.07 SHB 313	204.07 SHB 413	13 mm	30	86	30
	09	204.09 SHB 309	204.09 SHB 409	9 mm	32	83	30
		204.09 SHB 311	204.09 SHB 411	11 mm	32	83	30
		204.09 SHB 313	204.09 SHB 413	13 mm	32	83	30
	12	204.12 SHB 313	204.12 SHB 413	13 mm	40	97	30
204.12 SHB 316		204.12 SHB 416	16 mm	40	102	35	
204.12 SHB 319		204.12 SHB 419	19 mm	40	102	35	
19	204.19 SHB 319	204.19 SHB 419	19 mm	60	118	35	
	204.19 SHB 325	204.19 SHB 425	25 mm	60	123	40	
	204.19 SHB 328	204.19 SHB 428	28 mm	60	128	45	
32	204.32 SHB 342	204.32 SHB 442	42 mm	82	170	61	
	204.32 SHB 353	204.32 SHB 453	53 mm	82	179	70	



Female thread plug / Nippel mit Innengewinde

TYPE 204 **rtc**

Plug / Nippel	Size Größe	Order No / Bestellnr. With Valve / Mit Ventil	Order No / Bestellnr. With Valve / Mit Ventil	Ød	Ød1	L	HEX
	06	204.06 PFB 313	204.06 PFB 413	BSP 1/4	25	57	19
		204.06 PFB 317	204.06 PFB 417	BSP 3/8	25	58	22
	07	204.07 PFB 317	204.07 PFB 417	BSP 3/8	30	68	24
		204.07 PFB 321	204.07 PFB 421	BSP 1/2	30	71	27
	09	204.09 PFB 317	204.09 PFB 417	BSP 3/8	30	67	25
		204.09 PFB 321	204.09 PFB 421	BSP 1/2	30	70	25
	12	204.12 PFB 321	204.12 PFB 421	BSP 1/2	40	79	32
		204.12 PFB 326	204.12 PFB 426	BSP 3/4	40	81	32
	19	204.19 PFB 326	201.19 PFB 426	BSP 3/4	54	90	46
		204.19 PFB 333	201.19 PFB 433	BSP 1	54	94	46
	32	204.32 PFB 348	204.32 PFB 448	BSP 1-1/2	82	123	75
		204.32 PFB 360	204.32 PFB 460	BSP 2	82	127	75

rtc TYPE 204

Male thread plug / Nippel mit Aussengewinde



Plug / Nippel	Size Größe	Order No / Bestellnr. With Valve / Mit Ventil	Order No / Bestellnr. With Valve / Mit Ventil	Ød	Ød1	L	L1	HEX.
	06	204.06 PMB 313-00	204.06 PMB 413-00	BSP 1/4	25	56	11	19
		204.06 PMB 317-00	204.06 PMB 417-00	BSP 3/8	25	57	12	19
		204.06 PMB 321-00	204.06 PMB 421-00	BSP 1/2	25	60	15	22
	07	204.07 PMB 313-00	204.07 PMB 413-00	BSP 1/4	30	67	11	24
		204.07 PMB 317-00	204.07 PMB 417-00	BSP 3/8	30	68	12	24
		204.07 PMB 321-00	204.07 PMB 421-00	BSP 1/2	30	71	15	24
	09	204.09 PMB 317-00	204.09 PMB 417-00	BSP 3/8	30	67	12	25
		204.09 PMB 321-00	204.09 PMB 421-00	BSP 1/2	30	70	15	25
		204.09 PMB 326-00	204.09 PMB 426-00	BSP 3/4	30	72	17	30

rtc TYPE 204

Male thread plug / Nippel mit Aussengewinde



Plug / Nippel	Size Größe	Order No / Bestellnr. With Valve / Mit Ventil	Order No / Bestellnr. Without Valve / Ohne Ventil	Ød	Ød1	L	L1	HEX.
	12	204.12 PMB 321-00	204.12 PMB 421-00	BSP 1/2	40	80	15	32
		204.12 PMB 326-00	204.12 PMB 426-00	BSP 3/4	40	82	17	32
		204.12 PMB 333-00	204.12 PMB 433-00	BSP 1	40	86	20	36
	19	204.19 PMB 326-00	204.19 PMB 426-00	BSP 3/4	54	96	17	46
		204.19 PMB 333-00	204.19 PMB 433-00	BSP 1	54	99	20	46
	32	204.32 PMB 348-00	204.32 PMB 448-00	BSP 1-1/2	82	136	22	75
204.32 PMB 360-00		204.32 PMB 460-00	BSP 2	82	140	26	75	

rtc TYPE 204

2 clamp hose tail plug / Nippel mit gerader 2 Klemmschlauchtülle



Plug / Nippel	Size Größe	Order No / Bestellnr. With Valve / Mit Ventil	Order No / Bestellnr. Without Valve / Ohne Ventil	Ød	Ød1	L	L1
	06	204.06 PHB 307-HT8	204.06 PHB 407-HT8	7 mm	25	78	35

rtc TYPE 204

Standard hose tail plug / Nippel mit gerader Standard - Schlauchtülle



Plug / Nippel	Size Größe	Order No / Bestellnr. With Valve / Mit Ventil	Order No / Bestellnr. Without Valve / Ohne Ventil	Ød	Ød1	L	L1
	06	204.06 PHB 306	204.06 PHB 406	6 mm	25	69	25
		204.06 PHB 309	204.06 PHB 409	9 mm	25	74	30
		204.06 PHB 311	204.06 PHB 411	11 mm	25	74	30
		204.06 PHB 313	204.06 PHB 413	13 mm	25	74	30
	07	204.07 PHB 306	204.07 PHB 406	6 mm	30	79	30
		204.07 PHB 309	204.07 PHB 409	9 mm	30	84	30
		204.07 PHB 311	204.07 PHB 411	11 mm	30	84	30
		204.07 PHB 313	204.07 PHB 413	13 mm	30	84	30
	09	204.09 PHB 311	204.09 PHB 411	11 mm	40	83	30
		204.09 PHB 313	204.09 PHB 413	13 mm	40	83	30
		204.09 PHB 316	204.09 PHB 416	16 mm	40	83	30
	12	204.12 PHB 313	204.12 PHB 413	13 mm	40	95	30
204.12 PHB 316		204.12 PHB 416	16 mm	40	100	35	
204.12 PHB 319		204.12 PHB 419	19 mm	40	100	35	
19	204.19 PHB 319	204.19 PHB 419	19 mm	54	114	35	
	204.19 PHB 325	204.19 PHB 425	25 mm	54	119	40	
	204.19 PHB 328	204.19 PHB 428	28 mm	54	124	45	
32	204.32 PHB 342	204.32 PHB 442	42 mm	82	167	61	
	204.32 PHB 353	204.32 PHB 453	53 mm	82	176	70	

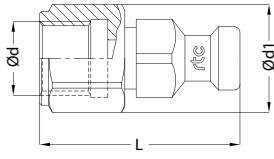
rtc TYPE 204

Female thread plug without valve / Nippel mit Innengewinde ohne Ventil

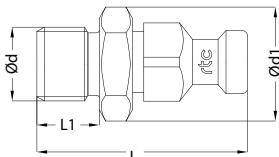


Plug / Nippel	Size Größe	Order No / Bestellnr. Without Valve / Ohne Ventil	Order No / Bestellnr. With Valve / Mit Ventil	Ød	Ød1	L	HEX
	06	204.06 PFF 313	204.06 PFF 413	BSP 1/4	19	38	17
		204.06 PFF 317	204.06 PFF 417	BSP 3/8	24	39	22
	07	204.07 PFF 317	204.07 PFF 417	BSP 3/8	24	43	22
		204.07 PFF 321	204.07 PFF 421	BSP 1/2	31	46	27
	09	204.09 PFF 317	204.09 PFF 417	BSP 3/8	24	43	22
		204.09 PFF 321	204.09 PFF 421	BSP 1/2	31	46	27

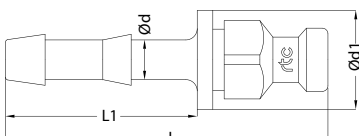
Female thread plug without valve / Nippel mit Innengewinde ohne Ventil TYPE 204 **rtc**

Plug / Nippel	Size Größe	Order No / Bestellnr. Without Valve / Ohne Ventil	Order No / Bestellnr. Without Valve / Ohne Ventil	Ød	Ød1	L	HEX
	12	204.12 PFF 321	204.12 PFF 421	BSP 1/2	31	53	27
		204.12 PFF 326	204.12 PFF 426	BSP 3/4	37	55	32
	19	204.19 PFF 326	201.19 PFF 426	BSP 3/4	37	58	32
		204.19 PFF 333	201.19 PFF 433	BSP 1	46	62	41
	32	204.32 PFF 348	204.32 PFF 448	BSP 1-1/2	67	72	60

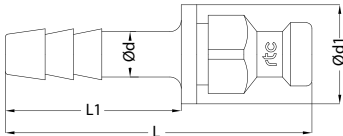
Male thread plug without valve / Nippel mit Aussengewinde ohne Ventil TYPE 204 **rtc**

Plug / Nippel	Size Größe	Order No / Bestellnr. Without Valve / Ohne Ventil	Order No / Bestellnr. Without Valve / Ohne Ventil	Ød	Ød1	L	L1	HEX.
	06	204.06 PMF 313-00	204.06 PMF 413-00	BSP 1/4	19	38	11	17
		204.06 PMF 317-00	204.06 PMF 417-00	BSP 3/8	21	39	12	19
	07	204.07 PMF 317-00	204.07 PMF 417-00	BSP 3/8	21	42	12	19
		204.07 PMF 321-00	204.07 PMF 421-00	BSP 1/2	24	45	15	22
	09	204.09 PMF 317-00	204.09 PMF 417-00	BSP 3/8	21	43	12	19
		204.09 PMF 321-00	204.09 PMF 421-00	BSP 1/2	24	46	15	22
	12	204.12 PMF 321-00	204.12 PMF 421-00	BSP 1/2	30	53	15	27
		204.12 PMF 326-00	204.12 PMF 426-00	BSP 3/4	35	55	17	30
	19	204.19 PMF 326-00	204.19 PMF 426-00	BSP 3/4	46	60	17	41
		204.19 PMF 333-00	204.19 PMF 433-00	BSP 1	46	63	20	41
	32	204.32 PMF 333-00	204.32 PMF 433-00	BSP 1	61	73	20	55
		204.32 PMF 348-00	204.32 PMF 448-00	BSP 1-1/2	61	75	22	55

2 clamp hose tail plug without valve / Nippel mit gerader 2 Klemmschlauchtülle ohne Ventil TYPE 204 **rtc**

Plug / Nippel	Size Größe	Order No / Bestellnr. Without Valve / Ohne Ventil	Order No / Bestellnr. Without Valve / Ohne Ventil	Ød	Ød1	L	L1
	06	204.06 PHF 307-HT8	204.06 PHF 407-HT8	7 mm	16	59	35

Standard hose tail plug without valve / Nippel mit gerader Standard - Schlauchtülle ohne Ventil TYPE 204 **rtc**

Plug / Nippel	Size Größe	Order No / Bestellnr. Without Valve / Ohne Ventil	Order No / Bestellnr. Without Valve / Ohne Ventil	Ød	Ød1	L	L1
	06	204.06 PHF 306	204.06 PHF 406	6 mm	16	49	25
		204.06 PHF 309	204.06 PHF 409	9 mm	16	54	30
		204.06 PHF 311	204.06 PHF 411	11 mm	16	54	30
	07	204.07 PHF 309	204.07 PHF 409	9 mm	18	58	30
		204.07 PHF 311	204.07 PHF 411	11 mm	18	58	30
		204.07 PHF 313	204.07 PHF 413	13 mm	18	58	30
	09	204.09 PHF 311	204.09 PHF 411	11 mm	21	61	30
		204.09 PHF 313	204.09 PHF 413	13 mm	21	61	30
	12	204.12 PHF 313	204.12 PHF 413	13 mm	25	64	30
		204.12 PHF 316	204.12 PHF 416	16 mm	25	69	35
	19	204.19 PHF 319	204.19 PHF 419	19 mm	38	76	35
		204.19 PHF 325	204.19 PHF 425	25 mm	38	81	40
	32	204.32 PHF 342	204.32 PHF 442	42 mm	60	108	61



rtc[®]

COUPLING TECHNOLOGY



205

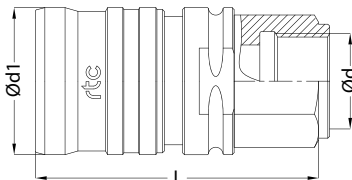
rtc TYPE



rtc TYPE 205

Female thread socket / Kupplung mit Innengewinde

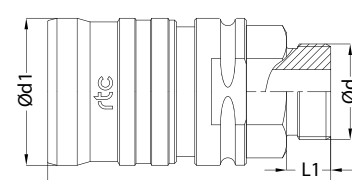


Socket / Kupplung	Size Größe	Order No / Bestellnr.	Ød	Ød1	L	HEX.
	03	205.03 SFB 10	BSP 1/8	21.5	64	14
		205.05 SFB 13	BSP 1/4	26	68	19
	05	205.05 SFB 17	BSP 3/8	26	69	22
		205.05 SNB 13	NPT 1/4	26	73	19
		205.05 SNB 17	NPT 3/8	26	73	19
		205.07 SFB 17	BSP 3/8	33	78	24
	07	205.07 SFB 21	BSP 1/2	33	81	27
		205.07 SNB 17	NPT 3/8	33	82	24
		205.09 SFB 21	BSP 1/2	35.5	86	27
	12	205.12 SFB 21	BSP 1/2	40	79	32
		205.12 SFB 26	BSP 3/4	40	81	32
		205.12 SNB 21	NPT 1/2	40	84	32
	19	205.19 SFB 26	BSP 3/4	58	122	46
		205.19 SFB 33	BSP 1	58	126	46
		205.19 SNB 26	NPT 3/4	58	127	46

rtc TYPE 205

Male thread socket / Kupplung mit Aussengewinde

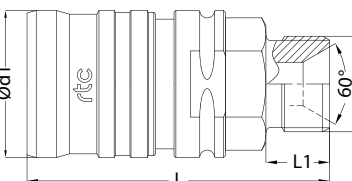


Socket / Kupplung	Size Größe	Order No / Bestellnr.	Ød	Ød1	L	L1	HEX.
	03	205.03 SMB 10-00	BSP 1/8	21.5	62	8	14
		205.03 SMB 13-00	BSP 1/4	21.5	65	11	14
	05	205.05 SMB 13-00	BSP 1/4	26	69	11	19
		205.05 SMB 17-00	BSP 3/8	26	70	12	19
		205.05 SMB 21-00	BSP 1/2	26	73	15	22
		205.07 SMB 17-00	BSP 3/8	33	78	12	24
	07	205.07 SMB 21-00	BSP 1/2	33	81	15	24
		205.09 SMB 17-00	BSP 3/8	35.5	83	12	25
	09	205.09 SMB 21-00	BSP 1/2	35.5	86	15	25
		205.12 SMB 21-00	BSP 1/2	40	80	15	32
	12	205.12 SMB 26-00	BSP 3/4	40	82	17	32
		205.12 SMB 33-00	BSP 1	40	86	20	32
		205.19 SMB 26-00	BSP 3/4	58	128	17	46
	19	205.19 SMB 33-00	BSP 1	58	131	20	46

rtc TYPE 205

Male thread socket with 60° sealing cone / Kupplung mit Aussengewinde 60° Dichtkonus

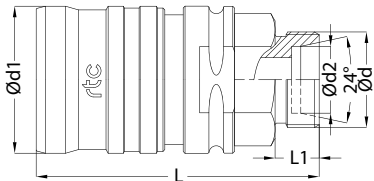


Socket / Kupplung	Size Größe	Order No / Bestellnr.	Ød	Ød1	L	L1	HEX.
	05	205.05 SMB 13	BSP 1/4	26	69	11	19
		205.05 SMB 17	BSP 3/8	26	70	12	19
		205.05 SMB 1415	M14x1.5	26	68	10	19
		205.05 SMB 1415x32	M14x1.5	26	90	32	19
	07	205.07 SMB 17	BSP 3/8	33	78	12	24
		205.07 SMB 1615	M16x1.5	33	77	11	24
		205.07 SMB 1615x34	M16x1.5	33	100	34	24
	12	205.12 SMB 21	BSP 1/2	40	80	15	32
		205.12 SMB 26	BSP 3/4	40	82	17	32
		205.12 SMB 2215	M22x1.5	40	77	17	32
		205.12 SMB 2215x39	M22x1.5	40	104	39	32
	19	205.19 SMB 26	BSP 3/4	58	128	17	46
		205.19 SMB 33	BSP 1	58	131	20	46
		205.19 SMB 3020x45	M30x2.0	58	156	45	46



Male thread socket with 24° sealing cone / Kupplung mit Aussengewinde 24° Dichtkonus

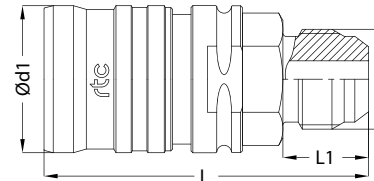
TYPE 205 **rtc**

Socket / Kupplung	Size Größe	Order No / Bestellnr.	Ød	Ød1	Ød2	L	L1	HEX.
	05	205.05 SMB 1215-06	M12x1.5	26	6	68	10	19
		205.05 SMB 1415-08	M14x1.5	26	8	68	10	19
		205.05 SMB 1415-08x32	M14x1.5	26	8	90	32	19
		205.05 SMB 1615-10	M16x1.5	26	10	69	11	19
		205.05 SMB 1615-10x32	M16x1.5	26	10	90	32	19
		205.05 SMB 1815-10	M18x1.5	26	10	69	11	19
		205.05 SMB 1815-12	M18x1.5	26	12	69	12	19
		205.05 SMB 2015-12	M20x1.5	26	12	70	12	22
	07	205.07 SMB 1615-10	M16x1.5	33	10	77	11	24
		205.07 SMB 1815-12	M18x1.5	33	12	77	11	24
		205.07 SMB 2015-12	M20x1.5	33	12	78	12	24
	12	205.12 SMB 1815-12	M18x1.5	40	12	76	11	32
		205.12 SMB 2215-15	M22x1.5	40	15	77	12	32
		205.12 SMB 2415-16	M24x1.5	40	16	79	14	32
	19	205.19 SMB 3020-22	M30x2.0	58	22	125	14	46
205.19 SMB 3620-25		M36x2.0	58	25	129	18	46	



UNF Male thread socket with 37° sealing cone / Kupplung mit UNF Aussengewinde 37° Dichtkonus

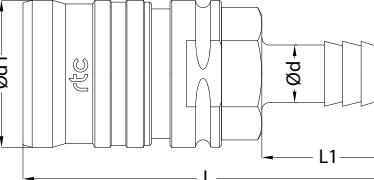
TYPE 205 **rtc**

Socket / Kupplung	Size Größe	Order No / Bestellnr.	Ød	Ød1	L	L1	HEX.
	05	205.05 SJB 1418	UNF 9/16-18	26	72	14	19
	07	205.07 SJB 1418	UNF 9/16-18	33	80	14	24
	12	205.12 SJB 2214	UNF 7/8-14	40	84	19	32
	19	205.19 SJB 2712	UNF 1-1/16-12	58	133	22	46



Standard hose tail socket / Kupplung mit gerader Standard - Schlauchtülle

TYPE 205 **rtc**

Socket / Kupplung	Size Größe	Order No / Bestellnr.	Ød	Ød1	L	L1
	03	205.03 SHB 04	4 mm	21.5	73	18
		205.03 SHB 06	6 mm	21.5	79	25
	05	205.05 SHB 06	6 mm	26	83	25
		205.05 SHB 09	9 mm	26	88	30
		205.05 SHB 11	11 mm	26	88	30
		205.05 SHB 13	13 mm	26	88	30
	07	205.07 SHB 09	9 mm	33	96	30
		205.07 SHB 11	11 mm	33	96	30
		205.07 SHB 13	13 mm	33	96	30
	09	205.09 SHB 13	13 mm	35.5	101	30
	12	205.12 SHB 16	16 mm	40	100	35
		205.12 SHB 19	19 mm	40	100	35
	19	205.19 SHB 19	19 mm	58	146	35
		205.19 SHB 25	25 mm	58	151	40
		205.19 SHB 28	28 mm	58	156	45

rtc TYPE 205

Female thread plug / Nippel mit Innengewinde



Plug / Nippel	Size Größe	Order No / Bestellnr.	Ød	Ød1	L	HEX.
	03	205.03 PFB 10	BSP 1/8	21.5	50	14
		205.05 PFB 13	BSP 1/4	26	53	19
	05	205.05 PFB 17	BSP 3/8	26	54	22
		205.05 PNB 13	NPT 1/4	26	58	19
		205.05 PNB 17	NPT 3/8	26	58	19
	07	205.07 PFB 17	BSP 3/8	26	52	19
		205.07 PFB 21	BSP 1/2	26	53	19
		205.07 PNB 17	NPT 3/8	26	57	23
	09	205.09 PFB 21	BSP 1/2	28	71	27
	12	205.12 PFB 21	BSP 1/2	40	78	32
		205.12 PFB 26	BSP 3/4	40	80	32
		205.12 PNB 21	NPT 1/2	40	83	32
	19	205.19 PFB 26	BSP 3/4	52	93	44
		205.19 PFB 33	BSP 1	52	97	44
		205.19 PNB 26	NPT 3/4	52	98	44

rtc TYPE 205

Male thread plug / Nippel mit Aussengewinde



Plug / Nippel	Size Größe	Order No / Bestellnr.	Ød	Ød1	L	L1	HEX.
	03	205.03 PMB 10-00	BSP 1/8	21.5	48	8	14
		205.03 PMB 13-00	BSP 1/4	21.5	51	11	14
	05	205.05 PMB 13-00	BSP 1/4	26	54	11	19
		205.05 PMB 17-00	BSP 3/8	26	55	12	19
		205.05 PMB 21-00	BSP 1/2	26	58	15	22
	07	205.07 PMB 13-00	BSP 1/4	26	53	11	19
		205.07 PMB 17-00	BSP 3/8	26	54	12	19
		205.07 PMB 21-00	BSP 1/2	26	57	15	22
	09	205.09 PMB 17-00	BSP 3/8	28	68	12	25
		205.09 PMB 21-00	BSP 1/2	28	71	15	25
	12	205.12 PMB 21-00	BSP 1/2	40	76	15	32
		205.12 PMB 26-00	BSP 3/4	40	78	17	32
		205.12 PMB 33-00	BSP 1	40	82	20	32
	19	205.19 PMB 26-00	BSP 3/4	52	99	17	46
		205.19 PMB 33-00	BSP 1	52	102	20	46

rtc TYPE 205

Male thread socket with 60° sealing cone / Kupplung mit Aussengewinde 60° Dichtkonus



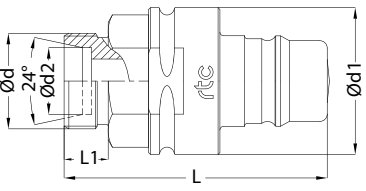
Plug / Nippel	Size Größe	Order No / Bestellnr.	Ød	Ød1	L	L1	HEX.
	05	205.05 PMB 13	BSP 1/4	26	69	11	19
		205.05 PMB 17	BSP 3/8	26	70	12	19
		205.05 PMB 1415	M14x1.5	26	68	10	19
		205.05 PMB 1415x32	M14x1.5	26	75	32	19
	07	205.07 PMB 13	BSP 1/4	26	53	11	19
		205.07 PMB 17	BSP 3/8	26	54	12	19
		205.07 PMB 1415	M14x1.5	26	52	10	19
		205.07 PMB 1415x32	M14x1.5	26	74	32	19
	12	205.12 PMB 21	BSP 1/2	40	76	15	32
		205.12 PMB 26	BSP 3/4	40	87	17	32
		205.12 PMB 2215	M22x1.5	40	73	17	32
		205.12 PMB 2215x39	M22x1.5	40	100	39	32
	19	205.19 PMB 17	BSP 3/4	52	99	17	46
		205.19 PMB 33	BSP 1	52	102	20	46
		205.19 PMB 3020x45	M30x2.0	52	127	45	46



Male thread plug with 24° sealing cone / Nippel mit Aussengewinde 24° Dichtkonus

TYPE 205



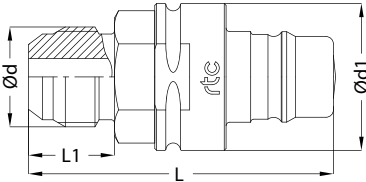
Plug / Nippel	Size Größe	Order No / Bestellnr.	Ød	Ød1	Ød2	L	L1	HEX.
	05	205.05 PMB 1215-06	M12x1.5	26	6	53	10	19
		205.05 PMB 1415-08	M14x1.5	26	8	53	10	19
		205.05 PMB 1415-08x32	M14x1.5	26	8	75	32	19
		205.05 PMB 1615-10	M16x1.5	26	10	54	11	19
		205.05 PMB 1615-10x32	M16x1.5	26	10	75	32	19
		205.05 PMB 1815-10	M18x1.5	26	10	54	11	19
		205.05 PMB 1815-12	M18x1.5	26	12	55	12	19
		205.05 PMB 2015-12	M20x1.5	26	12	55	12	22
	07	205.07 PMB 1215-06	M12x1.5	26	6	52	10	19
		205.07 PMB 1415-08	M14x1.5	26	8	52	10	19
		205.07 PMB 1415-08x32	M14x1.5	26	8	74	32	19
		205.07 PMB 1615-10	M16x1.5	26	10	53	11	19
		205.07 PMB 1615-10x32	M16x1.5	26	10	74	32	19
		205.07 PMB 1815-10	M18x1.5	26	10	53	11	19
		205.07 PMB 1815-12	M18x1.5	26	12	54	12	19
		205.07 PMB 2015-12	M20x1.5	26	12	54	12	22
	12	205.12 SMB 1815-12	M18x1.5	40	12	72	11	32
		205.12 SMB 2215-15	M22x1.5	40	15	73	12	32
		205.12 SMB 2415-16	M24x1.5	40	16	75	14	32
	19	205.19 SMB 3020-22	M30x2.0	52	22	96	14	46
		205.19 SMB 3620-25	M36x2.0	52	25	100	18	46



UNF Male thread plug with 37° sealing cone / Nippel mit UNF Aussengewinde 37° Dichtkonus

TYPE 205



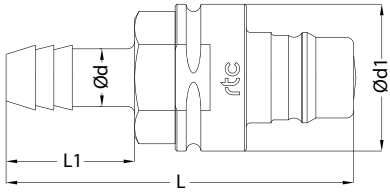
Plug / Nippel	Size Größe	Order No / Bestellnr.	Ød	Ød1	L	L1	HEX.
	05	205.05 PJB 1418	UNF 9/16-18	26	57	14	19
	07	205.07 PJB 1418	UNF 9/16-18	26	56	14	19
	09	205.09 PJB 1418	UNF 9/16-18	28	70	14	25
	12	205.12 PJB 2214	UNF 7/8-14	40	83	19	32
	19	205.19 PJB 2712	UNF 1-1/16-12	52	104	22	46



Standard hose tail plug / Nippel mit gerader Standard - Schlauchtülle

TYPE 205



Plug / Nippel	Size Größe	Order No / Bestellnr.	Ød	Ød1	L	L1
	03	205.03 PHB 04	4 mm	21.5	59	18
		205.03 PHB 06	6 mm	21.5	65	25
	05	205.05 PHB 06	6 mm	26	68	25
		205.05 PHB 09	9 mm	26	73	30
		205.05 PHB 11	11 mm	26	73	30
		205.05 PHB 13	13 mm	26	73	30
	07	205.07 PHB 09	9 mm	26	72	30
		205.07 PHB 11	11 mm	26	72	30
		205.07 PHB 13	13 mm	26	72	30
	09	205.09 PHB 13	13 mm	28	86	30
	12	205.12 PHB 16	16 mm	40	96	35
		205.12 PHB 19	19 mm	40	96	35
	19	205.19 PHB 19	19 mm	52	117	35
		205.19 PHB 25	25 mm	52	122	40
		205.19 PHB 28	28 mm	52	127	45



rtc[®]

COUPLING TECHNOLOGY

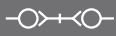


**Oil Coupling For
Ultimate High Temperature!**

219

rtc TYPE





Temperature Range - Temperaturbereich

FFKM (W) -20°C +325°C (-4°F +617°F)
FPM (V) -10°C +180°C (+14°F +356°F)

Max. Working Pressure - Max. Betriebsdruck

rtc 219.12 20 bar (290 PSI)
rtc 219.19 20 bar (290 PSI)

Flow size - Nennweiten

rtc 219.12 12 mm
rtc 219.19 19 mm

Using Area

High temperature (325°C) thermal oil coupler with double shut-off valving system. Able to use for heat transfer equipments.

Anwendungsbereiche

Beidseitig schließendes Kupplungssystem - Besonders geeignet für Wärmeträgeröl. Einsatzbereich bis 325°C

Working Principle

Leak-Tight on connection and disconnection of the plug.
PTFE heat protected hand grips on the latch to unlock the plug under hightemperature.
Automatic locking is provided by double latches on the coupler body.

Funktionsprinzip

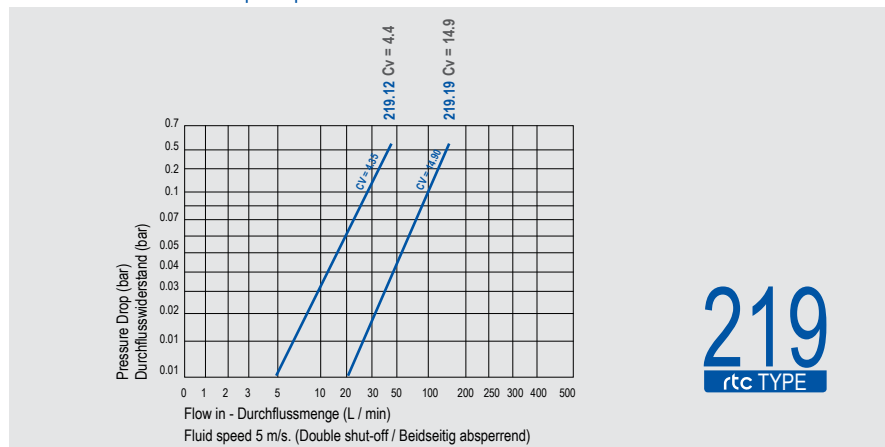
Leckagearmes Hochtemperaturkupplungssystem
Verriegelung erfolgt über 2 Klinken
Handgriffe sind Teflon-isoliert

Material

Socket Body - Kupplungsgrundkörper	Steel oil burnished - Stahl-brüniert
Valve - Ventil	Steel oil burnished - Stahl-brüniert
Springs - Federn	Stainless Steel - Edelstahl
Seals - Dichtungen	FFKM (W)
Handle - Griff	Steel with PTFE - Stahl mit PTFE
Plug - Nippel	Steel oil burnished - Stahl-brüniert



Flow Rate vs Pressure Drop Graph / Durchflussrate vs Druckabfall



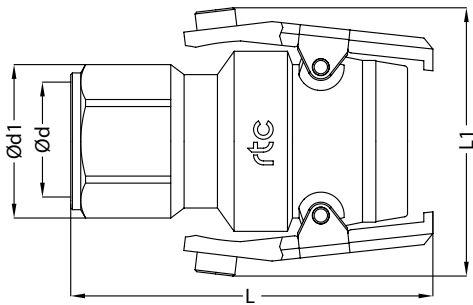
219
rtc TYPE

rtc TYPE 219

Socket with female thread / Kupplung mit Innengewinde



Socket / Kupplung



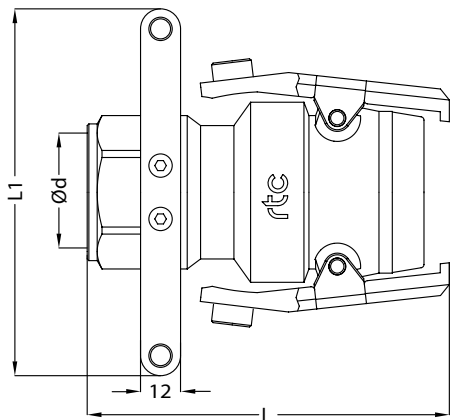
Size Größe	Order No / Bestellnr.	Connection (Ød)	Ød1	L	L1	HEX.
12	219.12 SFB 26-W	BSP 3/4	41	98	65	36
19	219.19 SFB 26-W	BSP 3/4	46	108	80	41
19	219.19 SFB 33-W	BSP 1	46	108	80	41

rtc TYPE 219

Socket with female thread and handle / Kupplung mit Innengewinde und Handgriff



Socket / Kupplung



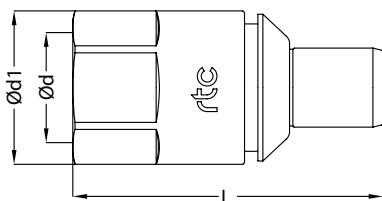
Size Größe	Order No / Bestellnr.	Connection (Ød)	L	L1	HEX.
12	219.12 SFB 26-W-HA	BSP 3/4	98	110	36
19	219.19 SFB 26-W-HA	BSP 3/4	108	110	41
19	219.19 SFB 33-W-HA	BSP 1	108	110	41

rtc TYPE 219

Female thread plug / Nippel mit Innengewinde

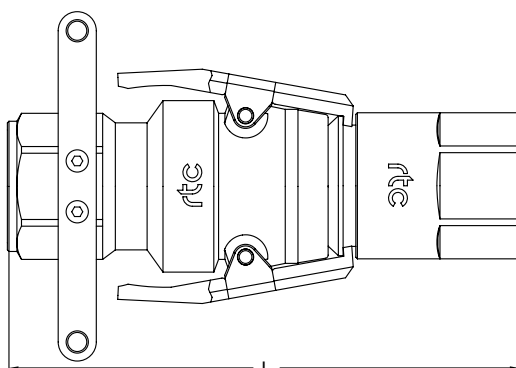


Plug / Nippel



Size Größe	Order No / Bestellnr.	Connection (Ød)	Ød1	L	HEX.
12	219.12 PFB 26-W	BSP 3/4	34	92	34
19	219.19 PFB 26-W	BSP 3/4	46	93	41
19	219.19 PFB 33-W	BSP 1	46	93	41

rtc TYPE 219



After Coupled Distance
Im gekoppelten Zustand

Size Größe	L
12	155
19	160



rtc[®]

COUPLING TECHNOLOGY



SV

rtc TYPE





Temperature Range - Temperaturbereich

Nitrile (N)	-20°C + 110°C (-4°F + 230°F)
FPM (V)	-20°C + 180°C (-4°F + 356°F)
EPDM (Ethylene Propylene)	-40°C + 150°C (-40°F + 302°F)

Working Pressure - Betriebsdruck

25 Bar (360 PSI)

Connction/Disconnection Pressure -

15 Bar (220 PSI)

Material of steel version / Material für die Stahl Version

Socket Body - Kupplungsgrundkörper	Steel tenifer threaded Stahl tenerferiert
Back Part - Hinterteil	Steel zinc-nickel plated Stahl Zink-Nickel beschichtet
Sleeve - Hülse	Steel zinc-nickel plated and orange painted Stahl Zink-Nickel beschichtet und orange Lackiert
Springs - Federn	Stainless steel - Edelstahl
Seals - Dichtungen	Nitrile (N)

Plug - Nippel	Steel tenifer threaded Stahl tenerferiert
------------------	--

rtc type 451 The sleeve orange colour plastic
Hülse ist aus Kunststoff, farbe orange

Material of stainless steel version Material für die Edelstahlversion

Socket Body - Kupplungsgrundkörper	Stainless steel Edelstahl
Back Part - Hinterteil	Stainless steel - Edelstahl
Sleeve - Hülse	Stainless steel - Edelstahl
Springs - Federn	Stainless steel - Edelstahl
Seals - Dichtungen	FPM (V)

Plug - Nippel Stainless steel - Edelstahl

Advantages

- The system perfectly fits to the **ISO 4414**, **EN 983** safety requirements.
- Plug profile perfectly fits to the **ISO 6150-C & AFNOR-C**
- 2 stage disconnection safety feature
- Negligible Connecting Force
- Smart and Ergonomic features
- Ease of Handling
- Optimised Size

Vorteil

- Sicherheit gemäß **ISO 4414**, **EN 983**
- Stecknippel gemäß **ISO 6150-C & AFNOR-C**
- 2 stufen Sicherheitsentriegelung
- Einfache Bedienung, sehr geringe Kuppelkraft
- Kompakte Bauform

Working Principle

- Connection

Push plug into coupling until it is heard to engage by a click by one-hand.

- Disconnection

The plug is disconnected by turning the release ring to left. It is held back by the safety catch, until the air hose is ventilated. The plug can only be released by turning the release ring to the right.

Arbeitsprinzip

- Einkuppeln

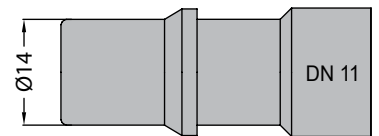
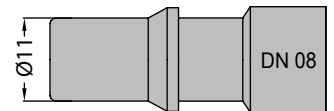
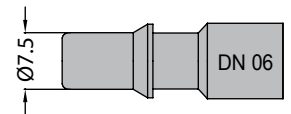
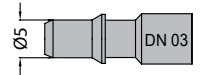
Nippel in die Kupplung eindrücken bis der Nippel hörbar einrastet - auch mit einer Hand möglich.

- Entkuppeln

Durch eine Linksdrehung der Drehhülse wird der Nippel ausgekuppelt, jedoch von der Sicherheitsklinke erst freigegeben wenn der Druckluftschlauch entlüftet ist. Erst nach Rechtsdrehung der Drehhülse wird der Stecknippel freigegeben.

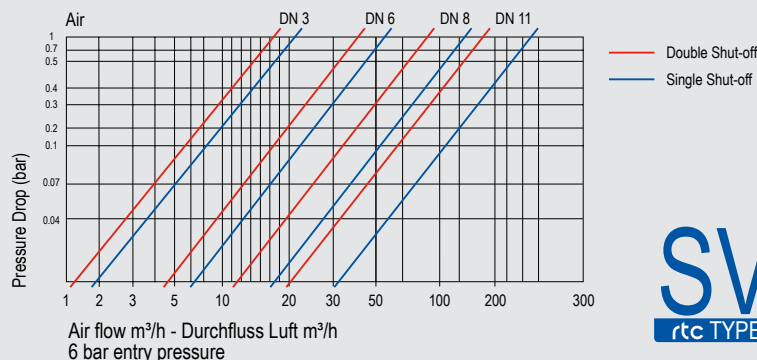
Flow size - Nennweiten

rtc type 450.03 / SV 1-Stage	3mm (1/8")
rtc type 450.06 / SV 2-Stage	5.5mm (1/4")
rtc type 450.08 / SV 2-Stage	8mm (3/8")
rtc type 450.11 / SV 2-Stage	11mm (1/2")
rtc type 451.06 / SV 2-Stage	5.5mm (1/4")
rtc type 451.08 / SV 2-Stage	8mm (3/8")
rtc type 452.06 / SV Coded	5.5mm (1/4")



Plug form 1:1
Abbildung 1:1

Flow Rate vs Pressure Drop Graph





rtc[®]

COUPLING TECHNOLOGY



450.03

rtc TYPE





Compatible - Kompatibilität

rtc 170.03
rtc 173.03

Temperature Range - Temperaturbereich

Nitrile (N) -20°C + 110°C (- 4°F + 230°F)
FPM (V) -20°C + 180°C (- 4°F + 356°F)
EPDM (Ethylene Propylene) -40°C + 150°C (- 40°F + 302°F)

Working Pressure - Betriebsdruck

25 Bar (360 PSI)

Connction / Disconnection Max. Pressure -

Ein- und Auskuppelbar bis Max. Druck
15 Bar (220 PSI)

Flow size - Nennweite

rtc type 450.03 3mm (1/8")

Standard version - Standardversion

Seals - Dichtung : Nitrile (N)

Material of steel version / Material für die Stahl Version

Socket Body - Kupplungsgrundkörper	Steel tenifer threaded Stahl teneferiert
Back Part - Hinterteil	Steel zinc-nickel plated Stahl Zink-Nickel beschichtet
Sleeve - Hülse	Steel zinc-nickel plated Stahl Zink-Nickel beschichtet und orange Lackiert
Springs - Federn	Stainless steel - Edelstahl
Seals - Dichtungen	Nitrile (N)
Plug - Nippel	Steel tenifer threaded Stahl teneferiert

Advantages

- Plug profile perfectly fits to the ISO 6150-C-8, AFNOR C-8 NF E 49-053
- Negligible Connecting Force
- Smart and Ergonomic features
- Ease of Handling
- Optimised Size

Vorteil

- Stecknippel gemäß ISO 6150-C-8, AFNOR C-8 NF E 49-053
- Einfache Bedienung, sehr geringe Kuppelkraft
- Kompakte Bauform

Material of stainless steel version

Material für die Edelstahlversion

Socket Body - Kupplungsgrundkörper	Stainless steel Edelstahl
Back Part - Hinterteil	Stainless steel - Edelstahl
Sleeve - Hülse	Stainless steel - Edelstahl
Springs - Federn	Stainless steel - Edelstahl
Seals - Dichtungen	FPM (V)
Plug - Nippel	Stainless steel - Edelstahl



Flow Rate vs Pressure Drop Graph



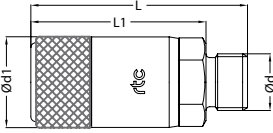
rtc TYPE 450.03

Metal sleeve socket with male thread / Kupplung mit Metallhülse und Aussengewinde



Socket / Kupplung

Size / Größe	Alternative Order No Alternative Bestellnr.	Order No / Bestellnr.	Ød	Ød1	L	L1	HEX.
3	-	450.03 SMB 10	BSP 1/8	17	42.5	34.5	14
3	-	450.03 SMB 13	BSP 1/4	17	44.5	34.5	14
3	-	450.03 STB 10	NPT 1/8	17	43.5	34.5	14
3	R303 00 582	450.03 SMB 10-S6	BSP 1/8	17	42.5	34.5	14
3	R303 00 583	450.03 SMB 13-S6	BSP 1/4	17	44.5	34.5	14
3	R303 00 584	450.03 STB 10-S6	NPT 1/8	17	43.5	34.5	14



*S6: Stainless Steel / Edelstahl

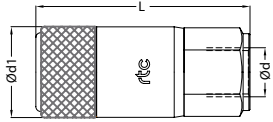
rtc TYPE 450.03

Metal sleeve socket with female thread / Kupplung mit Metallhülse und Innengewinde



Socket / Kupplung

Size / Größe	Alternative Order No Alternative Bestellnr.	Order No / Bestellnr.	Ød	Ød1	L	L1	HEX.
3	-	450.03 SFB 10	BSP 1/8	17	39	-	14
3	-	450.03 SNB 10	NPT 1/8	17	39	-	14
3	R303 00 580	450.03 SFB 10-S6	BSP 1/8	17	39	-	14
3	R303 00 581	450.03 SNB 10-S6	NPT 1/8	17	39	-	14



*S6: Stainless Steel / Edelstahl

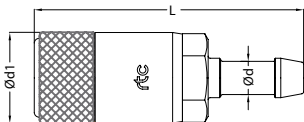
rtc TYPE 450.03

Metal sleeve standard hose socket / Kupplung mit Metallhülse und Schlauchanschluss



Socket / Kupplung

Size / Größe	Alternative Order No Alternative Bestellnr.	Order No / Bestellnr.	Ød	Ød1	L	L1	HEX.
3	-	450.03 SHB 04	Ø4 - 3/16	17	46	-	-
3	-	450.03 SHB 06	Ø6 - 1/4	17	46	-	-
3	-	450.03 SHB 08	Ø8 - 5/16	17	46	-	-
3	R303 00 585	450.03 SHB 04-S6	Ø4 - 3/16	17	46	-	-
3	R303 00 586	450.03 SHB 06-S6	Ø6 - 1/4	17	46	-	-
3	R303 00 587	450.03 SHB 08-S6	Ø8 - 5/16	17	46	-	-



*S6: Stainless Steel / Edelstahl

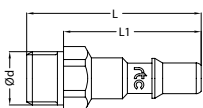
rtc TYPE 450.03

Male thread plug / Nippel mit Aussengewinde



Plug / Nippel

Size / Größe	Alternative Order No Alternative Bestellnr.	Order No / Bestellnr.	Ød	Ød1	L	L1	HEX.
3	-	450.03 PMF 10	BSP 1/8	-	36.5	28.5	14
3	-	450.03 PTF 10	NPT 1/8	-	37.5	28.5	14
3	R355 00 274	450.03 PMF 10-S6	BSP 1/8	-	36.5	28.5	14
3	R355 00 338	450.03 PTF 10-S6	NPT 1/8	-	37.5	28.5	14



*S6: Stainless Steel / Edelstahl

Female thread plug / Nippel mit Innengewinde TYPE 450.03 **rtc**

Plug / Nippel	Size / Größe	Alternative Order No Alternative Bestellnr.	Order No / Bestellnr.	Ød	Ød1	L	L1	HEX.
	3	-	450.03 PFF 10	BSP 1/8	-	35	-	13
	3	-	450.03 PNF 10	NPT 1/8	-	35	-	13
	3	R355 00 273	450.03 PFF 10-S6	BSP 1/8	-	35	-	13
	3	R355 00 339	450.03 PNF 10-S6	NPT 1/8	-	35	-	13

*S6: Stainless Steel / Edelstahl

Standard hose plug / Nippel mit Schlauchanschluss TYPE 450.03 **rtc**

Plug / Nippel	Size / Größe	Alternative Order No Alternative Bestellnr.	Order No / Bestellnr.	Ød	Ød1	L	L1	HEX.
	3	-	450.03 PHF 04	Ø4 - 5/32	10	39.5	-	-
	3	-	450.03 PHF 06	Ø6 - 1/4	10	39.5	-	-
	3	R355 00 276	450.03 PHF 04-S6	Ø4 - 5/32	10	39.5	-	-
	3	R355 00 277	450.03 PHF 06-S6	Ø6 - 1/4	10	39.5	-	-

*S6: Stainless Steel / Edelstahl

Male thread plug with valve / Verschlussnippel mit Aussengewinde TYPE 450.03 **rtc**

Plug / Nippel	Size / Größe	Alternative Order No Alternative Bestellnr.	Order No / Bestellnr.	Ød	Ød1	L	L1	HEX.
	3	-	450.03 PMB 10	BSP 1/8	-	49.5	41.5	14
	3	-	450.03 PTB 10	NPT 1/8	-	50.5	41.5	14
	3	-	450.03 PMB 10-S6	BSP 1/8	-	49.5	41.5	14
	3	-	450.03 PTB 10-S6	NPT 1/8	-	50.5	41.5	14

*S6: Stainless Steel / Edelstahl

Female thread plug with valve / Verschlussnippel mit Innengewinde TYPE 450.03 **rtc**

Plug / Nippel	Size / Größe	Alternative Order No Alternative Bestellnr.	Order No / Bestellnr.	Ød	Ød1	L	L1	HEX.
	3	-	450.03 PFB 10	BSP 1/8	-	50.5	-	14
	3	-	450.03 PNB 10	NPT 1/8	-	50.5	-	14
	3	-	450.03 PFB 10-S6	BSP 1/8	-	50.5	-	14
	3	-	450.03 PNB 10-S6	NPT 1/8	-	50.5	-	14

*S6: Stainless Steel / Edelstahl

Standard hose plug with valve / Verschlussnippel mit Schlauchanschluss TYPE 450.03 **rtc**

Plug / Nippel	Size / Größe	Alternative Order No Alternative Bestellnr.	Order No / Bestellnr.	Ød	Ød1	L	L1	HEX.
	3	-	450.03 PHB 04	Ø4 - 5/32	-	54.5	-	-
	3	-	450.03 PHB 06	Ø6 - 1/4	-	54.5	-	-
	3	-	450.03 PHB 04-S6	Ø4 - 5/32	-	54.5	-	-
	3	-	450.03 PHB 06-S6	Ø6 - 1/4	-	54.5	-	-

*S6: Stainless Steel / Edelstahl



rtc[®]

COUPLING TECHNOLOGY



450.06

rtc TYPE





Compatible - Kompatibilität

rtc	170.06
rtc	171.06
rtc	173.06
rtc	451.06
rtc	450.06 / SC-K

Temperature Range - Temperaturbereich

Nitrile (N)	-20°C + 110°C (- 4°F + 230°F)
FPM (V)	-20°C + 180°C (- 4°F + 356°F)
EPDM (Ethylene Propylene)	-40°C + 150°C (- 40°F + 302°F)

Working Pressure - Betriebsdruck

25 Bar (360 PSI)

Connction / Disconnection Max. Pressure -

Ein- und Auskuppelbar bis Max. Druck

15 Bar (220 PSI)

Flow size - Nennweite

rtc type 450.06 5.5mm (1/4")

Standard version - Standardversion

Seals - Dichtung : Nitrile (N)

Material of steel version / Material für die Stahl Version

Socket Body - Kupplungsgrundkörper	Steel tenifer threaded Stahl teneferiert
Back Part - Hinterteil	Steel zinc-nickel plated Stahl Zink-Nickel beschichtet
Sleeve - Hülse	Steel zinc-nickel plated and orange painted Stahl Zink-Nickel beschichtet und orange lackiert
Springs - Federn	Stainless steel - Edelstahl
Seals - Dichtungen	Nitrile (N)
Plug - Nippel	Steel Tenifer Threaded Stahl Teneferiert

Advantages

- The system perfectly fits to the **ISO 4414, EN 983** safety requirements.
- Plug profile perfectly fits to the **ISO 6150-C-10, AFNOR C-10 NF E 49-053**
- 2 stage disconnection safety feature
- Negligible Connecting Force
- Smart and Ergonomic features
- Ease of Handling
- Optimised Size

Vorteil

- Sicherheit gemäß **ISO 4414, EN 983**
- Stecknippel gemäß **ISO 6150-C-10, AFNOR C-10 NF E 49-053**
- 2 stufen Sicherheitsentriegelung
- Einfache Bedienung, sehr geringe Kuppelkraft
- Kompakte Bauform

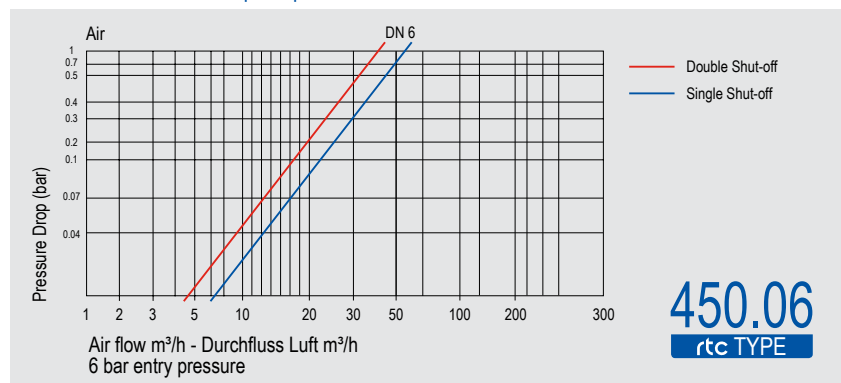
Material of stainless steel version

Material für die Edelstahlversion

Socket Body - Kupplungsgrundkörper	Stainless steel Edelstahl
Back Part - Hinterteil	Stainless steel - Edelstahl
Sleeve - Hülse	Stainless steel - Edelstahl
Springs - Federn	Stainless steel - Edelstahl
Seals - Dichtungen	FPM (V)
Plug - Nippel	Stainless steel - Edelstahl



Flow Rate vs Pressure Drop Graph



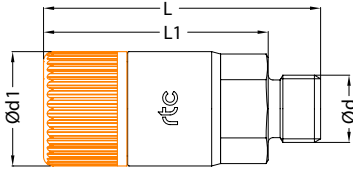
rtc TYPE 450.06

Metal sleeve socket with male thread / Kupplung mit Metallhülse und Aussengewinde



Socket / Kupplung

Size / Größe	Alternative Order No Alternative Bestellnr.	Order No / Bestellnr.	Ød	Ød1	L	L1	HEX.
6	R203 00 197	450.06 SMB 13	BSP 1/4	24	55.5	45.5	20
6	R203 00 195	450.06 SMB 17	BSP 3/8	24	55.5	45.5	20
6	R203 00 196	450.06 SMB 21	BSP 1/2	24	57.5	45.5	22
6	-	450.06 STB 13	NPT 1/4	24	57.5	45.5	20
6	-	450.06 STB 17	NPT 3/8	24	57.5	45.5	20
6	R303 00 592	450.06 SMB 13-S6	BSP 1/4	24	55.5	45.5	20
6	R303 00 593	450.06 SMB 17-S6	BSP 3/8	24	55.5	45.5	20
6	R303 00 594	450.06 SMB 21-S6	BSP 1/2	24	57.5	45.5	22
6	R303 00 601	450.06 STB 13-S6	NPT 1/4	24	57.5	45.5	20
6	R303 00 602	450.06 STB 17-S6	NPT 3/8	24	57.5	45.5	20



*S6: Stainless Steel / Edelstahl

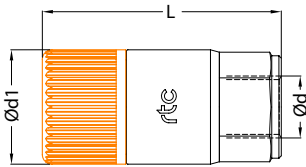
rtc TYPE 450.06

Metal sleeve socket with female thread / Kupplung mit Metallhülse und Innengewinde



Socket / Kupplung

Size / Größe	Alternative Order No Alternative Bestellnr.	Order No / Bestellnr.	Ød	Ød1	L	L1	HEX.
6	R203 00 191	450.06 SFB 10	BSP 1/8	24	52.5	-	20
6	R203 00 192	450.06 SFB 13	BSP 1/4	24	52.5	-	20
6	R203 00 193	450.06 SFB 17	BSP 3/8	24	52.5	-	20
6	R203 00 194	450.06 SFB 21	BSP 1/2	24	54.5	-	24
6	-	450.06 SNB 13	NPT 1/4	24	53.5	-	20
6	-	450.06 SNB 17	NPT 3/8	24	53.5	-	20
6	R303 00 588	450.06 SFB 10-S6	BSP 1/8	24	52.5	-	20
6	R303 00 589	450.06 SFB 13-S6	BSP 1/4	24	52.5	-	20
6	R303 00 590	450.06 SFB 17-S6	BSP 3/8	24	52.5	-	20
6	R303 00 591	450.06 SFB 21-S6	BSP 1/2	24	54.5	-	24
6	R303 00 599	450.06 SNB 13-S6	NPT 1/4	24	53.5	-	20
6	R303 00 600	450.06 SNB 17-S6	NPT 3/8	24	53.5	-	20



*S6: Stainless Steel / Edelstahl

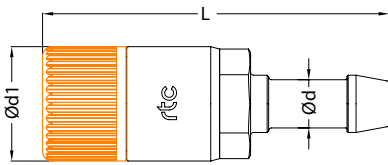
rtc TYPE 450.06

Metal sleeve standard hose socket / Kupplung mit Metallhülse und Schlauchanschluss



Socket / Kupplung

Size / Größe	Alternative Order No Alternative Bestellnr.	Order No / Bestellnr.	Ød	Ød1	L	L1	HEX.
6	R203 00 201	450.06 SHB 06	Ø6 - 1/4	24	68.5	-	-
6	R203 00 198	450.06 SHB 08	Ø8 - 5/16	24	68.5	-	-
6	R203 00 199	450.06 SHB 10	Ø10 - 3/8	24	71.5	-	-
6	R203 00 200	450.06 SHB 13	Ø13 - 1/2	24	71.5	-	-
6	R303 00 595	450.06 SHB 06-S6	Ø6 - 1/4	24	68.5	-	-
6	R303 00 596	450.06 SHB 08-S6	Ø8 - 5/16	24	68.5	-	-
6	R303 00 597	450.06 SHB 10-S6	Ø10 - 3/8	24	71.5	-	-
6	R303 00 598	450.06 SHB 13-S6	Ø13 - 1/2	24	71.5	-	-



*S6: Stainless Steel / Edelstahl

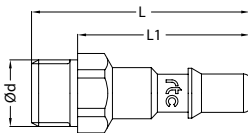
rtc TYPE 450.06

Male thread plug / Nippel mit Aussengewinde



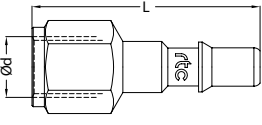
Plug / Nippel

Size / Größe	Alternative Order No Alternative Bestellnr.	Order No / Bestellnr.	Ød	Ød1	L	L1	HEX.
6	R255 00 093	450.06 PMF 10	BSP 1/8	-	44	36	14
6	R255 00 091	450.06 PMF 13	BSP 1/4	-	47	36	14
6	R255 00 092	450.06 PMF 17	BSP 3/8	-	52	40	19
6	R255 00 112	450.06 PTF 13	NPT 1/4	-	47	45	14
6	R255 00 117	450.06 PTF 17	NPT 3/8	-	53	48	19
6	R355 00 125	450.06 PMF 10-S6	BSP 1/8	-	44	36	14
6	R355 00 126	450.06 PMF 13-S6	BSP 1/4	-	47	36	14
6	R355 00 127	450.06 PMF 17-S6	BSP 3/8	-	52	40	19
6	R355 00 128	450.06 PTF 10-S6	NPT 1/8	-	45	36	14
6	R355 00 129	450.06 PTF 13-S6	NPT 1/4	-	47	45	14
6	R355 00 130	450.06 PTF 17-S6	NPT 3/8	-	53	48	19

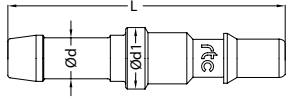


*S6: Stainless Steel / Edelstahl

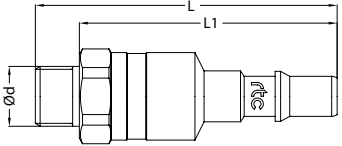
Female thread plug / Nippel mit Innengewinde TYPE 450.06 

Plug / Nippel	Size / Größe	Alternative Order No Alternative Bestellnr.	Order No / Bestellnr.	Ød	Ød1	L	L1	HEX.
 <p>*S6: Stainless Steel / Edelstahl</p>	6	R255 00 100	450.06 PFF 10	BSP 1/8	-	42	-	14
	6	R255 00 088	450.06 PFF 13	BSP 1/4	-	46.5	-	17
	6	R255 00 119	450.06 PNF 13	NPT 1/4	-	46.5	-	17
	6	R355 00 123	450.06 PFF 10-S6	BSP 1/8	-	42	-	14
	6	R355 00 124	450.06 PFF 13-S6	BSP 1/4	-	46.5	-	17
	6	R355 00 208	450.06 PNF 13-S6	NPT 1/4	-	48	-	17
	6	R355 00 264	450.06 PNF 17-S6	NPT 3/8	-	50	-	19

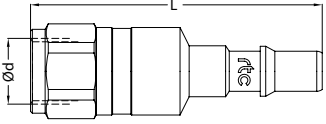
Standard hose plug / Nippel mit Schlauchanschluss TYPE 450.06 

Plug / Nippel	Size / Größe	Alternative Order No Alternative Bestellnr.	Order No / Bestellnr.	Ød	Ød1	L	L1	HEX.
 <p>*S6: Stainless Steel / Edelstahl</p>	6	R255 00 113	450.06 PHF 06	Ø6 - 1/4	12	56	-	-
	6	R255 00 114	450.06 PHF 08	Ø8 - 5/16	12	56	-	-
	6	R255 00 115	450.06 PHF 10	Ø10 - 3/8	13	56	-	-
	6	R255 00 116	450.06 PHF 13	Ø13 - 1/2	16.5	60	-	-
	6	R355 00 102	450.06 PHF 06-S6	Ø6 - 1/4	12	56	-	-
	6	R355 00 103	450.06 PHF 08-S6	Ø8 - 5/16	12	56	-	-
	6	R355 00 104	450.06 PHF 10-S6	Ø10 - 3/8	13	56	-	-
	6	R355 00 105	450.06 PHF 13-S6	Ø13 - 1/2	16.5	60	-	-

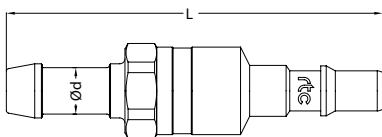
Male thread plug with valve / Verschlussnippel mit Aussengewinde TYPE 450.06 

Plug / Nippel	Size / Größe	Alternative Order No Alternative Bestellnr.	Order No / Bestellnr.	Ød	Ød1	L	L1	HEX.
 <p>*S6: Stainless Steel / Edelstahl</p>	6	R253 00 171	450.06 PMB 13	BSP 1/4	-	70	60	17
	6	R253 00 172	450.06 PMB 17	BSP 3/8	-	70	60	19
	6	-	450.06 PTB 13	NPT 1/4	-	72	60	17
	6	R353 00 119	450.06 PMB 13-S6	BSP 1/4	-	70	60	17
	6	R353 00 120	450.06 PMB 17-S6	BSP 3/8	-	70	60	19
	6	R353 00 311	450.06 PTB 13-S6	NPT 1/4	-	72	60	17
	6	R353 00 312	450.06 PTB 17-S6	NPT 3/8	-	73	60	19

Female thread plug with valve / Verschlussnippel mit Innengewinde TYPE 450.06 

Plug / Nippel	Size / Größe	Alternative Order No Alternative Bestellnr.	Order No / Bestellnr.	Ød	Ød1	L	L1	HEX.
 <p>*S6: Stainless Steel / Edelstahl</p>	6	R253 00 169	450.06 PFB 13	BSP 1/4	-	72	-	17
	6	R253 00 170	450.06 PFB 17	BSP 3/8	-	72	-	22
	6	-	450.06 PNB 13	NPT 1/4	-	72	-	17
	6	R353 00 117	450.06 PFB 13-S6	BSP 1/4	-	72	-	17
	6	R353 00 118	450.06 PFB 17-S6	BSP 3/8	-	72	-	22
	6	R353 00 309	450.06 PNB 13-S6	NPT 1/4	-	72	-	17
	6	R353 00 310	450.06 PNB 17-S6	NPT 3/8	-	72	-	22

Standard hose plug with valve / Verschlussnippel mit Schlauchanschluss TYPE 450.06 

Plug / Nippel	Size / Größe	Alternative Order No Alternative Bestellnr.	Order No / Bestellnr.	Ød	Ød1	L	L1	HEX.
 <p>*S6: Stainless Steel / Edelstahl</p>	6	R253 00 173	450.06 PHB 06	Ø6 - 1/4	-	79	-	17
	6	R253 00 174	450.06 PHB 08	Ø8 - 5/16	-	79	-	17
	6	R253 00 175	450.06 PHB 10	Ø10 - 3/8	-	79	-	17
	6	R353 00 121	450.06 PHB 06-S6	Ø6 - 1/4	-	79	-	17
	6	R353 00 122	450.06 PHB 08-S6	Ø8 - 5/16	-	79	-	17
	6	R353 00 123	450.06 PHB 10-S6	Ø10 - 3/8	-	79	-	17
	6	R353 00 313	450.06 PHB 13-S6	Ø13 - 1/2	-	82	-	17



rtc[®]

COUPLING TECHNOLOGY



450.08

rtc TYPE





Compatible - Kompatibilität

rtc	170.08
rtc	171.08
rtc	173.08
rtc	451.08
rtc	450.08 / SC-E1

Temperature Range - Temperaturbereich

Nitrile (N)	-20°C + 110°C (- 4°F + 230°F)
FPM (V)	-20°C + 180°C (- 4°F + 356°F)
EPDM (Ethylene Propylene)	-40°C + 150°C (- 40°F + 302°F)

Working Pressure - Betriebsdruck

25 Bar (360 PSI)

Connction / Disconnection Max. Pressure -

Ein- und Auskuppelbar bis Max. Druck

15 Bar (220 PSI)

Flow size - Nennweite

rtc type 450.08 8mm (3/8")

Standard version - Standardversion

Seals - Dichtung : Nitrile (N)

Material of steel version / Material für die Stahl Version

Socket Body - Kupplungsgrundkörper	Steel tenifer threaded Stahl teneferiert
Back Part - Hinterteil	Steel zinc nickel plated Stahl Zink-Nickel beschichtet
Sleeve - Hülse	Steel zinc-nickel plated and orange painted Stahl Zink-Nickel beschichtet und orange lackiert
Spings - Federn	Stainless steel - Edelstahl
Seals - Dichtungen	Nitrile (N)
Plug - Nippel	Steel tenifer threaded Stahl teneferiert

Advantages

- The system perfectly fits to the **ISO 4414, EN 983** safety requirements.
- Plug profile perfectly fits to the **ISO 6150-C-14, AFNOR C-14 NF E 49-053**
- 2 stage disconnection safety feature
- Negligible Connecting Force
- Smart and Ergonomic features
- Ease of Handling
- Optimised Size

Vorteil

- Sicherheit gemäß **ISO 4414, EN 983**
- Stecknippel gemäß **ISO 6150-C-14, AFNOR C-14 NF E 49-053**
- 2 stufen Sicherheitsentriegelung
- Einfache Bedienung, sehr geringe Kuppelkraft
- Kompakte Bauform

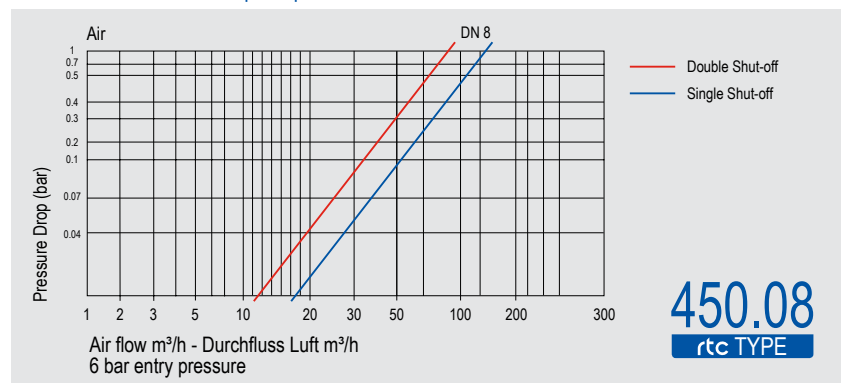
Material of stainless steel version

Material für die Edelstahlversion

Socket Body - Kupplungsgrundkörper	Stainless steel Edelstahl
Back Part - Hinterteil	Stainless steel - Edelstahl
Sleeve - Hülse	Stainless steel - Edelstahl
Spings - Federn	Stainless steel - Edelstahl
Seals - Dichtungen	FPM (V)
Plug - Nippel	Stainless steel - Edelstahl



Flow Rate vs Pressure Drop Graph

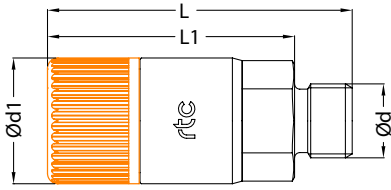


rtc TYPE 450.08

Metal sleeve socket with male thread / Kupplung mit Metallhülse und Aussengewinde



Socket / Kupplung



*S6: Stainless Steel / Edelstahl

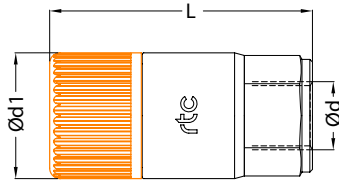
Size / Größe	Alternative Order No Alternative Bestellnr.	Order No / Bestellnr.	Ød	Ød1	L	L1	HEX.
8	R203 00 316	450.08 SMB 17	BSP 3/8	30	72	62	24
8	R203 00 318	450.08 SMB 21	BSP 1/2	30	74	62	24
8	-	450.08 STB 17	NPT 3/8	30	74	62	24
8	-	450.08 STB 21	NPT 1/2	30	79	62	24
8	R303 00 607	450.08 SMB 17-S6	BSP 3/8	30	72	62	24
8	R303 00 608	450.08 SMB 21-S6	BSP 1/2	30	74	62	24
8	R303 00 609	450.08 STB 17-S6	NPT 3/8	30	74	62	24
8	R303 00 610	450.08 STB 21-S6	NPT 1/2	30	79	62	24

rtc TYPE 450.08

Metal sleeve socket with female thread / Kupplung mit Metallhülse und Innengewinde



Socket / Kupplung



*S6: Stainless Steel / Edelstahl

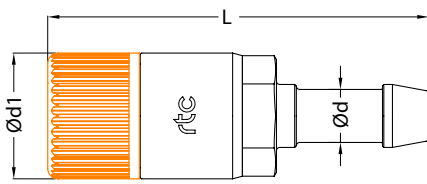
Size / Größe	Alternative Order No Alternative Bestellnr.	Order No / Bestellnr.	Ød	Ød1	L	L1	HEX.
8	R203 00 307	450.08 SFB 13	BSP 1/4	30	72	-	24
8	R203 00 309	450.08 SFB 17	BSP 3/8	30	72	-	24
8	R203 00 312	450.08 SFB 21	BSP 1/2	30	75	-	24
8	-	450.08 SNB 17	NPT 3/8	30	73	-	24
8	-	450.08 SNB 21	NPT 1/2	30	80	-	24
8	R303 00 300	450.08 SFB 13-S6	BSP 1/4	30	72	-	24
8	R303 00 603	450.08 SFB 17-S6	BSP 3/8	30	72	-	24
8	R303 00 604	450.08 SFB 21-S6	BSP 1/2	30	75	-	24
8	R303 00 605	450.08 SNB 17-S6	NPT 3/8	30	73	-	24
8	R303 00 606	450.08 SNB 21-S6	NPT 1/2	30	80	-	24

rtc TYPE 450.08

Metal sleeve standard hose socket / Kupplung mit Metallhülse und Schlauchanschluss



Socket / Kupplung



*S6: Stainless Steel / Edelstahl

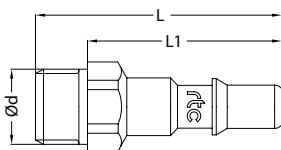
Size / Größe	Alternative Order No Alternative Bestellnr.	Order No / Bestellnr.	Ød	Ød1	L	L1	HEX.
8	R203 00 322	450.08 SHB 08	Ø8 - 5/16	30	84	-	-
8	R203 00 325	450.08 SHB 10	Ø10 - 3/8	30	87	-	-
8	R203 00 327	450.08 SHB 13	Ø13 - 1/2	30	87	-	-
8	R203 00 330	450.08 SHB 16	Ø16 - 5/8	30	87	-	-
8	R303 00 611	450.08 SHB 08-S6	Ø8 - 5/16	30	84	-	-
8	R303 00 612	450.08 SHB 10-S6	Ø10 - 3/8	30	87	-	-
8	R303 00 613	450.08 SHB 13-S6	Ø13 - 1/2	30	87	-	-
8	R303 00 614	450.08 SHB 16-S6	Ø16 - 5/8	30	87	-	-

rtc TYPE 450.08

Male thread plug / Nippel mit Aussengewinde



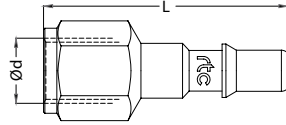
Plug / Nippel



*S6: Stainless Steel / Edelstahl

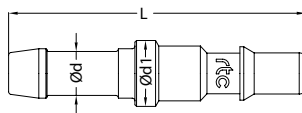
Size / Größe	Alternative Order No Alternative Bestellnr.	Order No / Bestellnr.	Ød	Ød1	L	L1	HEX.
8	R255 00 101	450.08 PMF 13	BSP 1/4	-	55	44	17
8	R255 00 102	450.08 PMF 17	BSP 3/8	-	57	44.5	19
8	-	450.08 PMF 21	BSP 1/2	-	60	48	24
8	R255 00 090	450.08 PTF 13	NPT 1/4	-	57	44.5	17
8	R255 00 089	450.08 PTF 17	NPT 3/8	-	57	44.5	19
8	R355 00 090	450.08 PMF 13-S6	BSP 1/4	-	55	44	17
8	R355 00 091	450.08 PMF 17-S6	BSP 3/8	-	57	44.5	19
8	-	450.08 PMF 21-S6	BSP 1/2	-	60	48	24
8	R355 00 092	450.08 PTF 13-S6	NPT 1/4	-	57	44.5	17
8	R355 00 093	450.08 PTF 17-S6	NPT 3/8	-	57	44.5	19

Female thread plug / Nippel mit Innengewinde TYPE 450.08 

Plug / Nippel	Size / Größe	Alternative Order No Alternative Bestellnr.	Order No / Bestellnr.	Ød	Ød1	L	L1	HEX.
	8	R255 00 103	450.08 PFF 13	BSP 1/4	-	55.5	-	17
	8	R255 00 105	450.08 PFF 17	BSP 3/8	-	57.5	-	22
	8	-	450.08 PFF 21	BSP 1/2	-	59	-	27
	8	R255 00 104	450.08 PNF 13	NPT 1/4	-	56.5	-	17
	8	R255 00 106	450.08 PNF 17	NPT 3/8	-	57.5	-	22
	8	-	450.08 PNF 21	NPT 1/2	-	61	-	27
	8	R355 00 088	450.08 PFF 13-S6	BSP 1/4	-	55.5	-	17
	8	R355 00 089	450.08 PFF 17-S6	BSP 3/8	-	57.5	-	22
	8	-	450.08 PFF 21-S6	BSP 1/2	-	59	-	27
	8	R355 00 094	450.08 PNF 13-S6	NPT 1/4	-	56.5	-	17
	8	R355 00 095	450.08 PNF 17-S6	NPT 3/8	-	57.5	-	22
	8	R355 00 359	450.08 PNF 21-S6	NPT 1/2	-	61	-	27

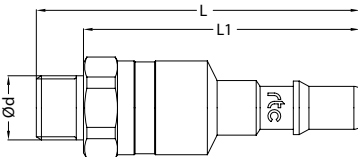
*S6: Stainless Steel / Edelstahl

Standard hose plug / Nippel mit Schlauchanschluss TYPE 450.08 

Plug / Nippel	Size / Größe	Alternative Order No Alternative Bestellnr.	Order No / Bestellnr.	Ød	Ød1	L	L1	HEX.
	8	R255 00 107	450.08 PHF 08	Ø8 - 5/16	15	62	-	-
	8	R255 00 108	450.08 PHF 10	Ø10 - 3/8	15	62	-	-
	8	R255 00 109	450.08 PHF 13	Ø13 - 1/2	17	66	-	-
	8	R255 00 110	450.08 PHF 16	Ø16 - 5/8	19	66	-	-
	8	R355 00 096	450.08 PHF 08-S6	Ø8 - 5/16	15	62	-	-
	8	R355 00 097	450.08 PHF 10-S6	Ø10 - 3/8	15	62	-	-
	8	R355 00 098	450.08 PHF 13-S6	Ø13 - 1/2	17	66	-	-
	8	R355 00 099	450.08 PHF 16-S6	Ø16 - 5/8	19	66	-	-

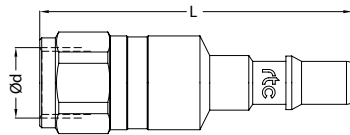
*S6: Stainless Steel / Edelstahl

Male thread plug with valve / Verschlussnippel mit Aussengewinde TYPE 450.08 

Plug / Nippel	Size / Größe	Alternative Order No Alternative Bestellnr.	Order No / Bestellnr.	Ød	Ød1	L	L1	HEX.
	8	R253 00 159	450.08 PMB 17	BSP 3/8	-	86	74	24
	8	-	450.08 PMB 21	BSP 1/2	-	88	74	24
	8	-	450.08 PTB 17	NPT 3/8	-	88	74	24
	8	R353 00 102	450.08 PMB 17-S6	BSP 3/8	-	86	74	24
	8	-	450.08 PMB 21-S6	BSP 1/2	-	88	74	24
	8	R353 00 315	450.08 PTB 17-S6	NPT 3/8	-	88	74	24

*S6: Stainless Steel / Edelstahl

Female thread plug with valve / Verschlussnippel mit Innengewinde TYPE 450.08 

Plug / Nippel	Size / Größe	Alternative Order No Alternative Bestellnr.	Order No / Bestellnr.	Ød	Ød1	L	L1	HEX.
	8	R253 00 157	450.08 PFB 17	BSP 3/8	-	80	-	24
	8	-	450.08 PFB 21	BSP 1/2	-	82	-	24
	8	-	450.08 PNB 17	NPT 3/8	-	80	-	24
	8	R353 00 100	450.08 PFB 17-S6	BSP 3/8	-	80	-	24
	8	-	450.08 PFB 21-S6	BSP 1/2	-	82	-	24
	8	R353 00 314	450.08 PNB 17-S6	NPT 3/8	-	80	-	24

*S6: Stainless Steel / Edelstahl

Standard hose plug with valve / Verschlussnippel mit Schlauchanschluss TYPE 450.08 

Plug / Nippel	Size / Größe	Alternative Order No Alternative Bestellnr.	Order No / Bestellnr.	Ød	Ød1	L	L1	HEX.
	8	R253 00 161	450.08 PHB 10	Ø10 - 3/8	-	97	-	24
	8	R253 00 163	450.08 PHB 13	Ø13 - 1/2	-	100	-	24
	8	R353 00 104	450.08 PHB 10-S6	Ø10 - 3/8	-	97	-	24
	8	R353 00 106	450.08 PHB 13-S6	Ø13 - 1/2	-	100	-	24

*S6: Stainless Steel / Edelstahl



rtc[®]

COUPLING TECHNOLOGY



450.11

rtc TYPE





Compatible - Kompatibilität

rtc	170.11
rtc	171.11
rtc	173.11
rtc	451.11
rtc	450.11 / SC-G

Temperature Range - Temperaturbereich

Nitrile (N)	-20°C + 110°C (-4°F + 230°F)
FPM (V)	-20°C + 180°C (-4°F + 356°F)
EPDM (Ethylene Propylene)	-40°C + 150°C (-40°F + 302°F)

Working Pressure - Betriebsdruck

25 Bar (360 PSI)

Connction / Disconnection Max. Pressure -

Ein- und Auskuppelbar bis Max. Druck

15 Bar (220 PSI)

Flow size - Nennweite

rtc type 450.11 11mm (1/2")

Standard version - Standardversion

Seals - Dichtung : Nitrile (N)

Material of steel version / Material für die Stahl Version

Socket Body - Kupplungsgrundkörper	Steel tenifer threaded Stahl teneferiert
Back Part - Hinterteil	Steel zinc nickel plated Stahl Zink-Nickel beschichtet
Sleeve - Hülse	Steel zinc nickel plated and orange painted Stahl Zink-Nickel beschichtet und orange lackiert

Hülse	Stahl Zink-Nickel beschichtet und orange lackiert
Springs - Federn	Stainless steel - Edelstahl
Seals - Dichtungen	Nitrile (N)

Plug - Nippel	Steel tenifer threaded Stahl teneferiert
------------------	---

Advantages

- The system perfectly fits to the **ISO 4414, EN 983** safety requirements.
- Plug profile perfectly fits to the **ISO 6150-C-17, AFNOR C-17 NF E 49-053**
- 2 stage disconnection safety feature
- Through flow, minimum pressure loss.
- Negligible Connecting Force
- Smart and Ergonomic features
- Ease of Handling
- Optimised Size

Vorteil

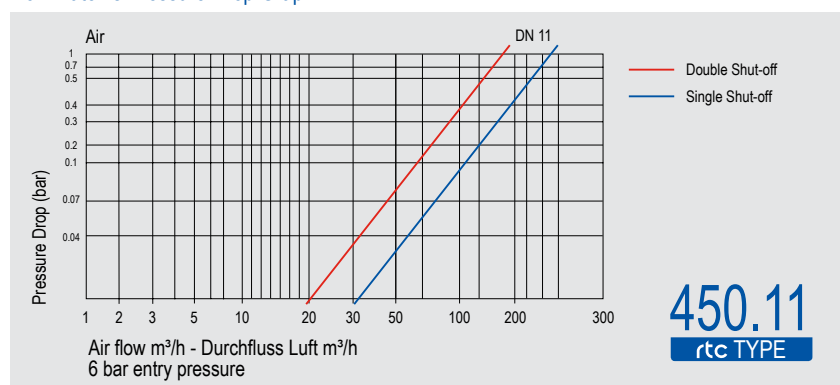
- Sicherheit gemäß **ISO 4414, EN 983**
- Stecknippel gemäß **ISO 6150-C-17, AFNOR C-17 NF E 49-053**
- 2 stufen Sicherheitsentriegelung
- Voller Durchgang, sehr geringer Druckverlust
- Einfache Bedienung, sehr geringe Kuppelkraft
- Kompakte Bauform

Material of stainless steel version

Material für die Edelstahlversion	
Socket Body - Kupplungsgrundkörper	Stainless steel Edelstahl
Back Part - Hinterteil	Stainless steel - Edelstahl
Sleeve - Hülse	Stainless steel - Edelstahl
Springs - Federn	Stainless steel - Edelstahl
Seals - Dichtungen	FPM (V)
Plug - Nippel	Stainless steel - Edelstahl



Flow Rate vs Pressure Drop Graph

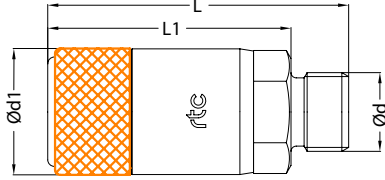


rtc TYPE 450.11

Metal sleeve socket with male thread / Kupplung mit Metallhülse und Aussengewinde



Socket / Kupplung



Size / Größe	Alternative Order No Alternative Bestellnr.	Order No / Bestellnr.	Ød	Ød1	L	L1	HEX.
11	R203 00 056	450.11 SMB 17	BSP 3/8	38	89.5	77.5	30
11	R203 00 058	450.11 SMB 21	BSP 1/2	38	91.5	77.5	30
11	R203 00 060	450.11 SMB 26	BSP 3/4	38	93.5	77.5	30
11	-	450.11 STB 17	NPT 3/8	38	89.5	77.5	30
11	-	450.11 STB 21	NPT 1/2	38	94.5	77.5	30
11	-	450.11 STB 26	NPT 3/4	38	96.5	77.5	30
11	R303 00 621	450.11 SMB 17-S6	BSP 3/8	38	89.5	77.5	30
11	R303 00 622	450.11 SMB 21-S6	BSP 1/2	38	91.5	77.5	30
11	R303 00 623	450.11 SMB 26-S6	BSP 3/4	38	93.5	77.5	30
11	R303 00 624	450.11 SMB 33-S6	BSP 1	38	95.5	77.5	34
11	R303 00 625	450.11 STB 17-S6	NPT 3/8	38	89.5	77.5	30
11	R303 00 626	450.11 STB 21-S6	NPT 1/2	38	94.5	77.5	30
11	R303 00 627	450.11 STB 26-S6	NPT 3/4	38	96.5	77.5	30

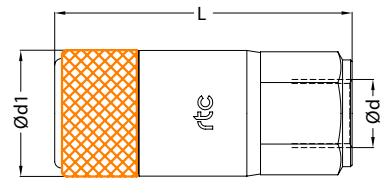
*S6: Stainless Steel / Edelstahl

rtc TYPE 450.11

Metal sleeve socket with female thread / Kupplung mit Metallhülse und Innengewinde



Socket / Kupplung



Size / Größe	Alternative Order No Alternative Bestellnr.	Order No / Bestellnr.	Ød	Ød1	L	L1	HEX.
11	R203 00 050	450.11 SFB 17	BSP 3/8	38	83	-	30
11	R203 00 052	450.11 SFB 21	BSP 1/2	38	83.5	-	30
11	R203 00 054	450.11 SFB 26	BSP 3/4	38	87.5	-	30
11	-	450.11 SNB 17	NPT 3/8	38	83.5	-	30
11	-	450.11 SNB 21	NPT 1/2	38	88	-	30
11	-	450.11 SNB 26	NPT 3/4	38	90	-	30
11	R303 00 615	450.11 SFB 17-S6	BSP 3/8	38	83	-	30
11	R303 00 616	450.11 SFB 21-S6	BSP 1/2	38	83.5	-	30
11	R303 00 617	450.11 SFB 26-S6	BSP 3/4	38	87.5	-	30
11	R303 00 618	450.11 SNB 17-S6	NPT 3/8	38	83.5	-	30
11	R303 00 619	450.11 SNB 21-S6	NPT 1/2	38	88	-	30
11	R303 00 620	450.11 SNB 26-S6	NPT 3/4	38	90	-	30

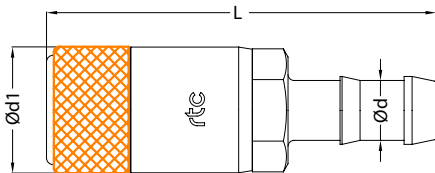
*S6: Stainless Steel / Edelstahl

rtc TYPE 450.11

Metal sleeve standard hose socket / Kupplung mit Metallhülse und Schlauchanschluss



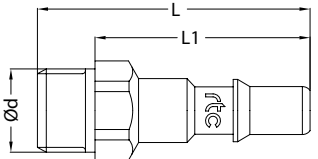
Socket / Kupplung



Size / Größe	Alternative Order No Alternative Bestellnr.	Order No / Bestellnr.	Ød	Ød1	L	L1	HEX.
11	R203 00 064	450.11 SHB 13	Ø13 - 1/2	38	98.5	-	-
11	R203 00 066	450.11 SHB 16	Ø16 - 5/8	38	98.5	-	-
11	R203 00 068	450.11 SHB 19	Ø19 - 3/4	38	110	-	-
11	R303 00 132	450.11 SHB 13-S6	Ø13 - 1/2	38	98.5	-	-
11	R303 00 134	450.11 SHB 16-S6	Ø16 - 5/8	38	98.5	-	-
11	R303 00 136	450.11 SHB 19-S6	Ø19 - 3/4	38	110	-	-

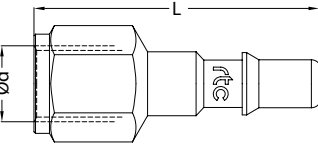
*S6: Stainless Steel / Edelstahl

Male thread plug / Nippel mit Aussengewinde TYPE 450.11 **rtc**

Plug / Nippel	Size / Größe	Alternative Order No Alternative Bestellnr.	Order No / Bestellnr.	Ød	Ød1	L	L1	HEX.
	11	R255 00 131	450.11 PMF 17	BSP 3/8	-	63	51	19
	11	R255 00 132	450.11 PMF 21	BSP 1/2	-	68	53	24
	11	R255 00 133	450.11 PMF 26	BSP 3/4	-	70	53	30
	11	R255 00 137	450.11 PTF 17	NPT 3/8	-	62	51	19
	11	R255 00 138	450.11 PTF 21	NPT 1/2	-	67	50	24
	11	R255 00 139	450.11 PTF 26	NPT 3/4	-	70	51	27
	11	R355 00 110	450.11 PMF 17-S6	BSP 3/8	-	63	51	19
	11	R355 00 111	450.11 PMF 21-S6	BSP 1/2	-	68	53	24
	11	R355 00 112	450.11 PMF 26-S6	BSP 3/4	-	70	53	30
	11	R355 00 116	450.11 PTF 17-S6	NPT 3/8	-	62	51	19
	11	R355 00 117	450.11 PTF 21-S6	NPT 1/2	-	67	50	24
	11	R355 00 118	450.11 PTF 26-S6	NPT 3/4	-	70	51	27

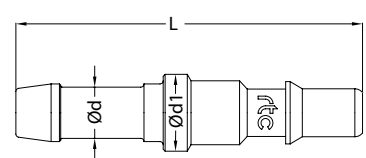
*S6: Stainless Steel / Edelstahl

Female thread plug / Nippel mit Innengewinde TYPE 450.11 **rtc**

Plug / Nippel	Size / Größe	Alternative Order No Alternative Bestellnr.	Order No / Bestellnr.	Ød	Ød1	L	L1	HEX.
	11	R255 00 128	450.11 PFF 17	BSP 3/8	-	62	-	22
	11	R255 00 129	450.11 PFF 21	BSP 1/2	-	66	-	27
	11	R255 00 130	450.11 PFF 26	BSP 3/4	-	69	-	32
	11	R255 00 134	450.11 PNF 17	NPT 3/8	-	62	-	22
	11	R255 00 135	450.11 PNF 21	NPT 1/2	-	67	-	27
	11	R255 00 136	450.11 PNF 26	NPT 3/4	-	69	-	32
	11	R355 00 107	450.11 PFF 17-S6	BSP 3/8	-	62	-	22
	11	R355 00 108	450.11 PFF 21-S6	BSP 1/2	-	66	-	27
	11	R355 00 109	450.11 PFF 26-S6	BSP 3/4	-	69	-	32
	11	R355 00 113	450.11 PNF 17-S6	NPT 3/8	-	62	-	22
	11	R355 00 114	450.11 PNF 21-S6	NPT 1/2	-	67	-	27
	11	R355 00 115	450.11 PNF 26-S6	NPT 3/4	-	69	-	32

*S6: Stainless Steel / Edelstahl

Standard hose plug / Nippel mit Schlauchanschluss TYPE 450.11 **rtc**

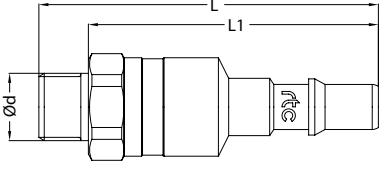
Plug / Nippel	Size / Größe	Alternative Order No Alternative Bestellnr.	Order No / Bestellnr.	Ød	Ød1	L	L1	HEX.
	11	R255 00 140	450.11 PHF 10	Ø10 - 3/8	19	70.5	-	-
	11	R255 00 141	450.11 PHF 13	Ø13 - 1/2	19	70.5	-	-
	11	R255 00 142	450.11 PHF 16	Ø16 - 5/8	21	72	-	-
	11	R255 00 143	450.11 PHF 19	Ø19 - 3/4	23	85	-	-
	11	R355 00 119	450.11 PHF 10-S6	Ø10 - 3/8	19	70.5	-	-
	11	R355 00 120	450.11 PHF 13-S6	Ø13 - 1/2	19	70.5	-	-
	11	R355 00 121	450.11 PHF 16-S6	Ø16 - 5/8	21	72	-	-
	11	R355 00 122	450.11 PHF 19-S6	Ø19 - 3/4	23	85	-	-

*S6: Stainless Steel / Edelstahl

rtc TYPE 450.11

Male thread plug with valve / Verschlussnippel mit Aussengewinde



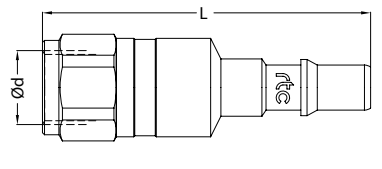
Plug / Nippel	Size / Größe	Alternative Order No Alternative Bestellnr.	Order No / Bestellnr.	Ød	Ød1	L	L1	HEX.
	11	-	450.11 PMB 17	BSP 3/8	-	94.5	82.5	30
	11	R253 00 020	450.11 PMB 21	BSP 1/2	-	95.5	82.5	30
	11	-	450.11 PMB 26	BSP 3/4	-	99.5	82.5	30
	11	-	450.11 PTB 17	NPT 3/8	-	94.5	82.5	30
	11	-	450.11 PTB 21	NPT 1/2	-	99.5	82.5	30
	11	R353 00 320	450.11 PMB 17-S6	BSP 3/8	-	94.5	82.5	30
	11	R353 00 268	450.11 PMB 21-S6	BSP 1/2	-	95.5	82.5	30
	11	R353 00 321	450.11 PMB 26-S6	BSP 3/4	-	99.5	82.5	30
	11	R353 00 322	450.11 PTB 17-S6	NPT 3/8	-	94.5	82.5	30
	11	R353 00 323	450.11 PTB 21-S6	NPT 1/2	-	99.5	82.5	30

*S6: Stainless Steel / Edelstahl

rtc TYPE 450.11

Female thread plug with valve / Verschlussnippel mit Innengewinde



Plug / Nippel	Size / Größe	Alternative Order No Alternative Bestellnr.	Order No / Bestellnr.	Ød	Ød1	L	L1	HEX.
	11	-	450.11 PFB 17	BSP 3/8	-	90	-	30
	11	R253 00 019	450.11 PFB 21	BSP 1/2	-	94	-	30
	11	-	450.11 PNB 17	NPT 3/8	-	90	-	30
	11	-	450.11 PNB 21	NPT 1/2	-	94	-	30
	11	R353 00 316	450.11 PFB 17-S6	BSP 3/8	-	90	-	30
	11	R353 00 317	450.11 PFB 21-S6	BSP 1/2	-	94	-	30
	11	R353 00 318	450.11 PNB 17-S6	NPT 3/8	-	90	-	30
	11	R353 00 319	450.11 PNB 21-S6	NPT 1/2	-	94	-	30

*S6: Stainless Steel / Edelstahl

rtc TYPE 450.11

Standard hose plug with valve / Verschlussnippel mit Schlauchanschluss



Plug / Nippel	Size / Größe	Alternative Order No Alternative Bestellnr.	Order No / Bestellnr.	Ød	Ød1	L	L1	HEX.
	11	R253 00 021	450.11 PHB 13	Ø13 - 1/2	-	108.5	-	30
	11	R253 00 022	450.11 PHB 16	Ø16 - 5/8	-	108.5	-	30
	11	-	450.11 PHB 19	Ø19 - 3/4	-	119.5	-	30
	11	R353 00 324	450.11 PHB 13-S6	Ø13 - 1/2	-	108.5	-	30
	11	R353 00 147	450.11 PHB 16-S6	Ø16 - 5/8	-	108.5	-	30
	11	R353 00 222	450.11 PHB 19-S6	Ø19 - 3/4	-	119.5	-	30

*S6: Stainless Steel / Edelstahl



rtc[®]

COUPLING TECHNOLOGY



451.06

rtc TYPE





Compatible - Kompatibilität

rtc	170.06
rtc	171.06
rtc	173.06
rtc	450.06
rtc	450.06 / SC-K

Temperature Range - Temperaturbereich

Nitrile (N)	-20°C + 110°C (-4°F + 230°F)
FPM (V)	-20°C + 180°C (-4°F + 356°F)
EPDM (Ethylene Propylene)	-40°C + 150°C (-40°F + 302°F)

Working Pressure - Betriebsdruck

25 Bar (360 PSI)

Connction / Disconnection Max. Pressure -

Ein- und Auskuppelbar bis Max. Druck
15 Bar (220 PSI)

Flow size - Nennweite

rtc type 451.06 5.5mm (1/4")

Standard version - Standardversion

Seals - Dichtung : Nitrile (N)

Material of standard version with plastic release ring

Material für die Standardversion mit Kunststoffauslösering

Socket Body -	Steel tenifer threaded
Kupplungsgrundkörper	Stahl teneferiert
Back Part -	Steel zinc nickel plated
Hinterteil	Stahl Zink-Nickel beschichtet
Sleeve -	Orange colour plastic
Hülse	Kunststoff, Farbe orange
Springs - Federn	Stainless steel - Edelstahl
Seals - Dichtungen	Nitrile (N)

Plug	Steel tenifer threaded
Nippel	Stahl teneferiert

Advantages

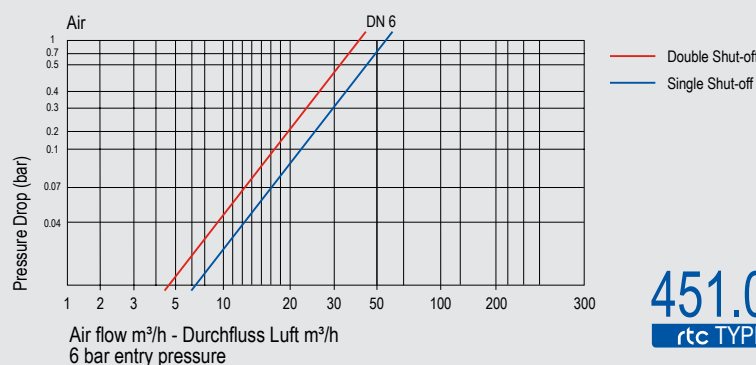
- The system perfectly fits to the ISO 4414, EN 983 safety requirements.
- Plug profile perfectly fits to the ISO 6150-C-10, AFNOR C-10 NF E 49-053
- 2 stage disconnection safety feature
- Through flow, minimum pressure loss
- Negligible Connecting Force
- Smart and Ergonomic features
- Ease of Handling
- Optimised Size

Vorteil

- Sicherheit gemäß ISO 4414, EN 983
- Stecknippel gemäß ISO 6150-C-10, AFNOR C-10 NF E 49-053
- 2 stufen Sicherheitsentriegelung
- Voller Durchgang, sehr geringer Druckverlust
- Einfache Bedienung, sehr geringe Kuppelkraft
- Kompakte Bauform



Flow Rate vs Pressure Drop Graph

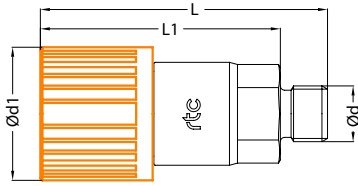


rtc TYPE 451.06

Plastic sleeve socket with male thread / Kupplung mit Kunststoffdrehhülse und Aussengewinde



Socket / Kupplung



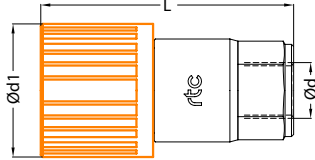
Size / Größe	Alternative Order No Alternative Bestellnr.	Order No / Bestellnr.	Ød	Ød1	L	L1	HEX.
6	R203 00 186	451.06 SMB 13	BSP 1/4	31.5	52.5	42.5	20
6	R203 00 184	451.06 SMB 17	BSP 3/8	31.5	52.5	42.5	20
6	R203 00 185	451.06 SMB 21	BSP 1/2	31.5	54.5	42.5	22
6	-	451.06 STB 13	NPT 1/4	31.5	54.5	42.5	20
6	-	451.06 STB 17	NPT 3/8	31.5	54.5	42.5	20

rtc TYPE 451.06

Plastic sleeve socket with female thread / Kupplung mit Kunststoffdrehhülse und Innengewinde



Socket / Kupplung



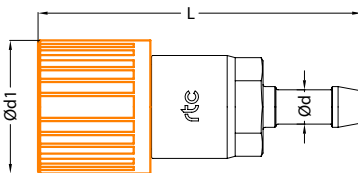
Size / Größe	Alternative Order No Alternative Bestellnr.	Order No / Bestellnr.	Ød	Ød1	L	L1	HEX.
6	R203 00 180	451.06 SFB 10	BSP 1/8	31.5	52.5	-	20
6	R203 00 181	451.06 SFB 13	BSP 1/4	31.5	52.5	-	20
6	R203 00 182	451.06 SFB 17	BSP 3/8	31.5	55.5	-	20
6	R203 00 183	451.06 SFB 21	BSP 1/2	31.5	59.5	-	24
6	-	451.06 SNB 13	NPT 1/4	31.5	56.5	-	20
6	-	451.06 SNB 17	NPT 3/8	31.5	56.5	-	20

rtc TYPE 451.06

Plastic sleeve standard hose socket / Kupplung mit Kunststoffdrehhülse und Schlauchanschluss



Socket / Kupplung



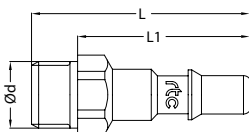
Size / Größe	Alternative Order No Alternative Bestellnr.	Order No / Bestellnr.	Ød	Ød1	L	L1	HEX.
6	R203 00 190	451.06 SHB 06	Ø6 - 1/4	31.5	65.5	-	-
6	R203 00 187	451.06 SHB 08	Ø8 - 5/16	31.5	65.5	-	-
6	R203 00 188	451.06 SHB 10	Ø10 - 3/8	31.5	68.5	-	-
6	R203 00 189	451.06 SHB 13	Ø13 - 1/2	31.5	68.5	-	-

rtc TYPE 451.06

Male thread plug / Nippel mit Aussengewinde



Plug / Nippel



Size / Größe	Alternative Order No Alternative Bestellnr.	Order No / Bestellnr.	Ød	Ød1	L	L1	HEX.
6	R255 00 093	450.06 PMF 10	BSP 1/8	-	44	36	14
6	R255 00 091	450.06 PMF 13	BSP 1/4	-	47	36	14
6	R255 00 092	450.06 PMF 17	BSP 3/8	-	52	40	19
6	R255 00 112	450.06 PTF 13	NPT 1/4	-	48	45	14
6	R255 00 117	450.06 PTF 17	NPT 3/8	-	53	48	19
6	R355 00 125	450.06 PMF 10-S6	BSP 1/8	-	44	36	14
6	R355 00 126	450.06 PMF 13-S6	BSP 1/4	-	47	36	14
6	R355 00 127	450.06 PMF 17-S6	BSP 3/8	-	52	40	19
6	R355 00 128	450.06 PTF 10-S6	NPT 1/8	-	45	36	14
6	R355 00 129	450.06 PTF 13-S6	NPT 1/4	-	47	45	14
6	R355 00 130	450.06 PTF 17-S6	NPT 3/8	-	53	48	19

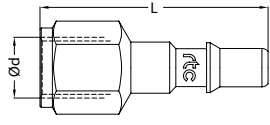
*S6: Stainless Steel / Edelstahl



Female thread plug / Nippel mit Innengewinde

TYPE 451.06



Plug / Nippel	Size / Größe	Alternative Order No Alternative Bestellnr.	Order No / Bestellnr.	Ød	Ød1	L	L1	HEX.
	6	R255 00 100	450.06 PFF 10	BSP 1/8	-	42	-	14
	6	R255 00 088	450.06 PFF 13	BSP 1/4	-	46.5	-	17
	6	R255 00 119	450.06 PNF 13	NPT 1/4	-	46.5	-	17
	6	R355 00 123	450.06 PFF 10-S6	BSP 1/8	-	42	-	14
	6	R355 00 124	450.06 PFF 13-S6	BSP 1/4	-	46.5	-	17
	6	R355 00 208	450.06 PNF 13-S6	NPT 1/4	-	48	-	17
	6	R355 00 264	450.06 PNF 17-S6	NPT 3/8	-	50	-	19

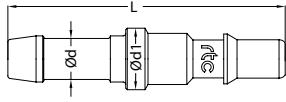
*S6: Stainless Steel / Edelstahl



Standard hose plug / Nippel mit Schlauchanschluss

TYPE 450.06



Plug / Nippel	Size / Größe	Alternative Order No Alternative Bestellnr.	Order No / Bestellnr.	Ød	Ød1	L	L1	HEX.
	6	R255 00 113	450.06 PHF 06	Ø6 - 1/4	12	56	-	-
	6	R255 00 114	450.06 PHF 08	Ø8 - 5/16	12	56	-	-
	6	R255 00 115	450.06 PHF 10	Ø10 - 3/8	13	56	-	-
	6	R255 00 116	450.06 PHF 13	Ø13 - 1/2	16.5	60	-	-
	6	R355 00 102	450.06 PHF 06-S6	Ø6 - 1/4	12	56	-	-
	6	R355 00 103	450.06 PHF 08-S6	Ø8 - 5/16	12	56	-	-
	6	R355 00 104	450.06 PHF 10-S6	Ø10 - 3/8	13	56	-	-
	6	R355 00 105	450.06 PHF 13-S6	Ø13 - 1/2	16.5	60	-	-

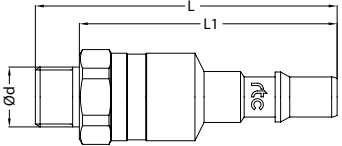
*S6: Stainless Steel / Edelstahl



Male thread plug with valve / Verschlussnippel mit Aussengewinde

TYPE 450.06



Plug / Nippel	Size / Größe	Alternative Order No Alternative Bestellnr.	Order No / Bestellnr.	Ød	Ød1	L	L1	HEX.
	6	R253 00 171	450.06 PMB 13	BSP 1/4	-	70	60	17
	6	R253 00 172	450.06 PMB 17	BSP 3/8	-	70	60	19
	6	-	450.06 PTB 13	NPT 1/4	-	72	60	17
	6	R353 00 119	450.06 PMB 13-S6	BSP 1/4	-	70	60	17
	6	R353 00 120	450.06 PMB 17-S6	BSP 3/8	-	70	60	19
	6	R353 00 311	450.06 PTB 13-S6	NPT 1/4	-	72	60	17
	6	R353 00 312	450.06 PTB 17-S6	NPT 3/8	-	73	60	19

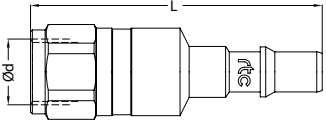
*S6: Stainless Steel / Edelstahl



Female thread plug with valve / Verschlussnippel mit Innengewinde

TYPE 450.06



Plug / Nippel	Size / Größe	Alternative Order No Alternative Bestellnr.	Order No / Bestellnr.	Ød	Ød1	L	L1	HEX.
	6	R253 00 169	450.06 PFB 13	BSP 1/4	-	72	-	17
	6	R253 00 170	450.06 PFB 17	BSP 3/8	-	72	-	22
	6	-	450.06 PNB 13	NPT 1/4	-	72	-	17
	6	R353 00 117	450.06 PFB 13-S6	BSP 1/4	-	72	-	17
	6	R353 00 118	450.06 PFB 17-S6	BSP 3/8	-	72	-	22
	6	R353 00 309	450.06 PNB 13-S6	NPT 1/4	-	72	-	17
	6	R353 00 310	450.06 PNB 17-S6	NPT 3/8	-	72	-	22

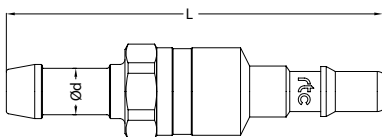
*S6: Stainless Steel / Edelstahl



Standard hose plug with valve / Verschlussnippel mit Schlauchanschluss

TYPE 450.06



Plug / Nippel	Size / Größe	Alternative Order No Alternative Bestellnr.	Order No / Bestellnr.	Ød	Ød1	L	L1	HEX.
	6	R253 00 173	450.06 PHB 06	Ø6 - 1/4	-	79	-	17
	6	R253 00 174	450.06 PHB 08	Ø8 - 5/16	-	79	-	17
	6	R253 00 175	450.06 PHB 10	Ø10 - 3/8	-	79	-	17
	6	R353 00 121	450.06 PHB 06-S6	Ø6 - 1/4	-	79	-	17
	6	R353 00 122	450.06 PHB 08-S6	Ø8 - 5/16	-	79	-	17
	6	R353 00 123	450.06 PHB 10-S6	Ø10 - 3/8	-	79	-	17
	6	R353 00 313	450.06 PHB 13-S6	Ø13 - 1/2	-	82	-	17

*S6: Stainless Steel / Edelstahl



rtc[®]

COUPLING TECHNOLOGY



451.08

rtc TYPE





Compatible - Kompatibilität

rtc	170.08
rtc	171.08
rtc	173.08
rtc	450.08
rtc	450.08 / SC-E1

Temperature Range - Temperaturbereich

Nitrile (N)	-20°C + 110°C (- 4°F + 230°F)
FPM (V)	-20°C + 180°C (- 4°F + 356°F)
EPDM (Ethylene Propylene)	-40°C + 150°C (- 40°F + 302°F)

Working Pressure - Betriebsdruck

25 Bar (360 PSI)

Connction / Disconnection Max. Pressure -

Ein- und Auskuppelbar bis Max. Druck
15 Bar (220 PSI)

Flow size - Nennweite

rtc type 451.08 8mm (3/8")

Standard version - Standardversion

Seals - Dichtung : Nitrile (N)

Material of standard version with plastic release ring

Material für die Standardversion mit Kunststoffauslösering

Socket Body -	Steel tenifer threaded
Kupplungsgrundkörper	Stahl teneferiert
Back Part -	Steel zinc nickel plated
Hinterteil	Stahl Zink-Nickel beschichtet
Sleeve -	Orange colour plastic
Hülse	Kunststoff, Farbe orange
Springs - Federn	Stainless steel - Edelstahl
Seals - Dichtungen	Nitrile (N)

Plug	Steel tenifer threaded
Nippel	Stahl teneferiert

Advantages

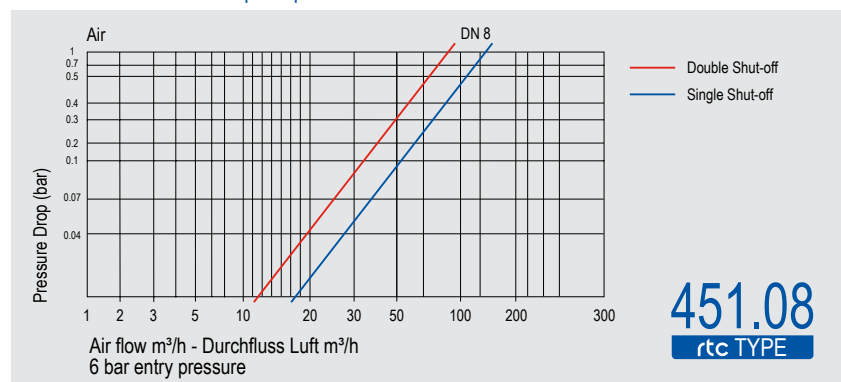
- The system perfectly fits to the **ISO 4414, EN 983** safety requirements.
- Plug profile perfectly fits to the **ISO 6150-C-14, AFNOR C-14 NF E 49-053**
- 2 stage disconnection safety feature
- Through flow, minimum pressure loss
- Negligible Connecting Force
- Smart and Ergonomic features
- Ease of Handling
- Optimised Size

Vorteil

- Sicherheit gemäß **ISO 4414, EN 983**
- Stecknippel gemäß **ISO 6150-C-14, AFNOR C-14 NF E 49-053**
- 2 stufen Sicherheitsentriegelung
- Voller Durchgang, sehr geringer Druckverlust
- Einfache Bedienung, sehr geringe Kuppelkraft
- Kompakte Bauform



Flow Rate vs Pressure Drop Graph

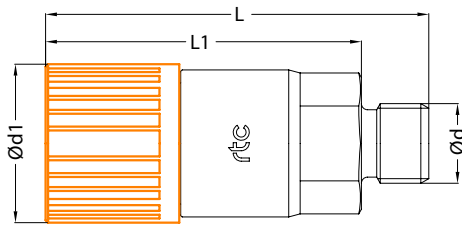


rtc TYPE 451.08

Plastic sleeve socket with male thread / Kupplung mit Kunststoffdrehhülse und Aussengewinde



Socket / Kupplung



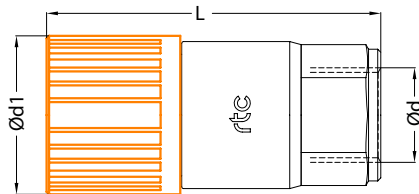
Size / Größe	Alternative Order No Alternative Bestellnr.	Order No / Bestellnr.	Ød	Ød1	L	L1	HEX.
8	R203 00 299	451.08 SMB 17	BSP 3/8	32	73	63	24
8	R203 00 300	451.08 SMB 21	BSP 1/2	32	75	63	24
8	-	451.08 STB 17	NPT 3/8	32	75	63	24
8	-	451.08 STB 21	NPT 1/2	32	80	63	24

rtc TYPE 451.08

Plastic sleeve socket with female thread / Kupplung mit Kunststoffdrehhülse und Innengewinde



Socket / Kupplung



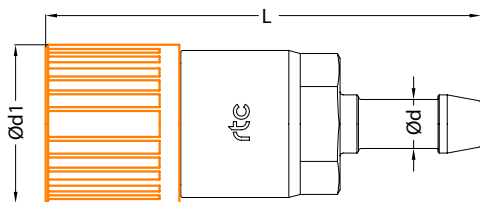
Size / Größe	Alternative Order No Alternative Bestellnr.	Order No / Bestellnr.	Ød	Ød1	L	L1	HEX.
8	R203 00 295	451.08 SFB 13	BSP 1/4	32	73	-	24
8	R203 00 296	451.08 SFB 17	BSP 3/8	32	73	-	24
8	R203 00 297	451.08 SFB 21	BSP 1/2	32	76	-	24
8	-	451.08 SNB 17	NPT 3/8	32	74	-	24
8	-	451.08 SNB 21	NPT 1/2	32	81	-	24

rtc TYPE 451.08

Plastic sleeve standard hose socket / Kupplung mit Kunststoffdrehhülse und Schlauchanschluss



Socket / Kupplung



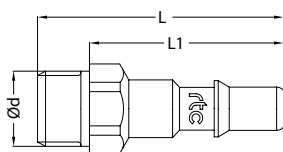
Size / Größe	Alternative Order No Alternative Bestellnr.	Order No / Bestellnr.	Ød	Ød1	L	L1	HEX.
8	R203 00 302	451.08 SHB 08	Ø8 - 5/16	32	84	-	-
8	R203 00 303	451.08 SHB 10	Ø10 - 3/8	32	87	-	-
8	R203 00 304	451.08 SHB 13	Ø13 - 1/2	32	87	-	-

rtc TYPE 451.08

Male thread plug / Nippel mit Aussengewinde



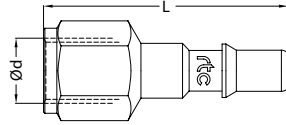
Plug / Nippel



Size / Größe	Alternative Order No Alternative Bestellnr.	Order No / Bestellnr.	Ød	Ød1	L	L1	HEX.
8	R255 00 101	450.08 PMF 13	BSP 1/4	-	55	44	17
8	R255 00 102	450.08 PMF 17	BSP 3/8	-	57	44.5	19
8	-	450.08 PMF 21	BSP 1/2	-	60	48	24
8	R255 00 090	450.08 PTF 13	NPT 1/4	-	57	44.5	17
8	R255 00 089	450.08 PTF 17	NPT 3/8	-	57	44.5	19
8	R355 00 090	450.08 PMF 13-S6	BSP 1/4	-	55	44	17
8	R355 00 091	450.08 PMF 17-S6	BSP 3/8	-	57	44.5	19
8	-	450.08 PMF 21-S6	BSP 1/2	-	60	48	24
8	R355 00 092	450.08 PTF 13-S6	NPT 1/4	-	57	44.5	17
8	R355 00 093	450.08 PTF 17-S6	NPT 3/8	-	57	44.5	19

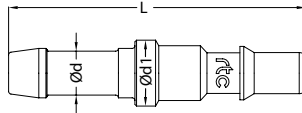
*S6: Stainless Steel / Edelstahl

Female thread plug / Nippel mit Innengewinde TYPE 451.08 

Plug / Nippel	Size / Größe	Alternative Order No Alternative Bestellnr.	Order No / Bestellnr.	Ød	Ød1	L	L1	HEX.
	8	R255 00 103	450.08 PFF 13	BSP 1/4	-	55.5	-	17
	8	R255 00 105	450.08 PFF 17	BSP 3/8	-	57.5	-	22
	8	-	450.08 PFF 21	BSP 1/2	-	59	-	27
	8	R255 00 104	450.08 PNF 13	NPT 1/4	-	56.5	-	17
	8	R255 00 106	450.08 PNF 17	NPT 3/8	-	57.5	-	22
	8	-	450.08 PNF 21	NPT 1/2	-	61	-	27
	8	R355 00 088	450.08 PFF 13-S6	BSP 1/4	-	55.5	-	17
	8	R355 00 089	450.08 PFF 17-S6	BSP 3/8	-	57.5	-	22
	8	-	450.08 PFF 21-S6	BSP 1/2	-	59	-	27
	8	R355 00 094	450.08 PNF 13-S6	NPT 1/4	-	56.5	-	17
	8	R355 00 095	450.08 PNF 17-S6	NPT 3/8	-	57.5	-	22
	8	R355 00 359	450.08 PNF 21-S6	NPT 1/2	-	61	-	27

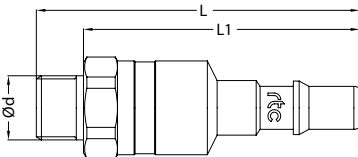
*S6: Stainless Steel / Edelstahl

Standard hose plug / Nippel mit Schlauchanschluss TYPE 451.08 

Plug / Nippel	Size / Größe	Alternative Order No Alternative Bestellnr.	Order No / Bestellnr.	Ød	Ød1	L	L1	HEX.
	8	R255 00 107	450.08 PHF 08	Ø8 - 5/16	15	62	-	-
	8	R255 00 108	450.08 PHF 10	Ø10 - 3/8	15	62	-	-
	8	R255 00 109	450.08 PHF 13	Ø13 - 1/2	17	66	-	-
	8	R255 00 110	450.08 PHF 16	Ø16 - 5/8	19	66	-	-
	8	R355 00 096	450.08 PHF 08-S6	Ø8 - 5/16	15	62	-	-
	8	R355 00 097	450.08 PHF 10-S6	Ø10 - 3/8	15	62	-	-
	8	R355 00 098	450.08 PHF 13-S6	Ø13 - 1/2	17	66	-	-
	8	R355 00 099	450.08 PHF 16-S6	Ø16 - 5/8	19	66	-	-

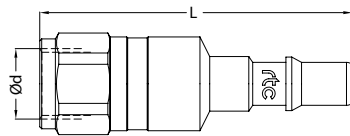
*S6: Stainless Steel / Edelstahl

Male thread plug with valve / Verschlussnippel mit Aussengewinde TYPE 451.08 

Plug / Nippel	Size / Größe	Alternative Order No Alternative Bestellnr.	Order No / Bestellnr.	Ød	Ød1	L	L1	HEX.
	8	R253 00 159	450.08 PMB 17	BSP 3/8	-	86	74	24
	8	-	450.08 PMB 21	BSP 1/2	-	88	74	24
	8	-	450.08 PTB 17	NPT 3/8	-	88	74	24
	8	R353 00 102	450.08 PMB 17-S6	BSP 3/8	-	86	74	24
	8	-	450.08 PMB 21-S6	BSP 1/2	-	88	74	24
	8	R353 00 315	450.08 PTB 17-S6	NPT 3/8	-	88	74	24

*S6: Stainless Steel / Edelstahl

Female thread plug with valve / Verschlussnippel mit Innengewinde TYPE 451.08 

Plug / Nippel	Size / Größe	Alternative Order No Alternative Bestellnr.	Order No / Bestellnr.	Ød	Ød1	L	L1	HEX.
	8	R253 00 157	450.08 PFB 17	BSP 3/8	-	80	-	24
	8	-	450.08 PFB 21	BSP 1/2	-	82	-	24
	8	-	450.08 PNB 17	NPT 3/8	-	80	-	24
	8	R353 00 100	450.08 PFB 17-S6	BSP 3/8	-	80	-	24
	8	-	450.08 PFB 21-S6	BSP 1/2	-	82	-	24
	8	R353 00 314	450.08 PNB 17-S6	NPT 3/8	-	80	-	24

*S6: Stainless Steel / Edelstahl

Standard hose plug with valve / Verschlussnippel mit Schlauchanschluss TYPE 451.08 

Plug / Nippel	Size / Größe	Alternative Order No Alternative Bestellnr.	Order No / Bestellnr.	Ød	Ød1	L	L1	HEX.
	8	R253 00 161	450.08 PHB 10	Ø10 - 3/8	-	97	-	24
	8	R253 00 163	450.08 PHB 13	Ø13 - 1/2	-	100	-	24
	8	R353 00 104	450.08 PHB 10-S6	Ø10 - 3/8	-	97	-	24
	8	R353 00 106	450.08 PHB 13-S6	Ø13 - 1/2	-	100	-	24

*S6: Stainless Steel / Edelstahl



rtc[®]

COUPLING TECHNOLOGY



452.06

rtc TYPE



Temperature Range - Temperaturbereich

Nitrile (N)	-20°C + 110°C (-4°F + 230°F)
FPM (V)	-20°C + 180°C (-4°F + 356°F)
EPDM (Ethylene Propylene)	-40°C + 150°C (-40°F + 302°F)

Working Pressure - Betriebsdruck

25 Bar (360 PSI)

Connction / Disconnection Pressure -

15 Bar (220 PSI)

Flow size - Nennweite

rtc type 452.06 5.5mm (1/4")

Standard version - Standardversion

Seals - Dichtung : FPM (V)

Material of AISI 316L stainless steel version

Material für die AISI 316L Edelstahlversion

Socket Body -	AISI 316L Stainless steel
Kupplungsgrundkörper	AISI 316L Edelstahl
Back Part - Hinterteil	Stainless steel - Edelstahl
Sleeve - Hülse	Stainless steel - Edelstahl
Springs - Federn	Stainless steel - Edelstahl
Seals - Dichtungen	FPM (V)

Plug - Nippel

Stainless steel - Edelstahl

Material of AISI 303 stainless steel version

Material für die AISI 303 Edelstahlversion

Socket Body -	AISI 303 Stainless steel
Kupplungsgrundkörper	AISI 303 Edelstahl
Back Part - Hinterteil	Stainless steel - Edelstahl
Sleeve - Hülse	Stainless steel - Edelstahl
Springs - Federn	Stainless steel - Edelstahl
Seals - Dichtungen	FPM (V)

Plug - Nippel

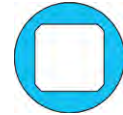
Stainless steel - Edelstahl

Advantages

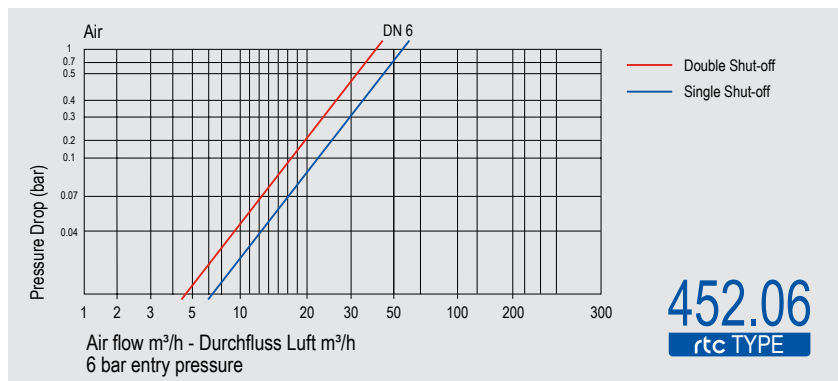
- The system perfectly fits to the ISO 4414, EN 983 safety requirements.
- Plug profile perfectly fits to the ISO 6150-C-10, AFNOR C-10 NF E 49-053
- 2 stage disconnection safety feature
- Through flow, minimum pressure loss
- Negligible Connecting Force
- Smart and Ergonomic features
- Ease of Handling
- Optimised Size

Vorteil

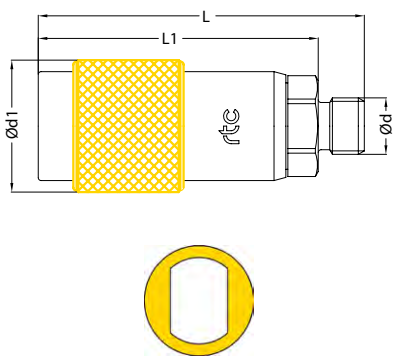
- Sicherheit gemäß ISO 4414, EN 983
- Stecknippel gemäß ISO 6150-C-10, AFNOR C-10 NF E 49-053
- 2 stufen Sicherheitsentriegelung
- Voller Durchgang, sehr geringer Druckverlust
- Einfache Bedienung, sehr geringe Kuppelkraft
- Kompakte Bauform



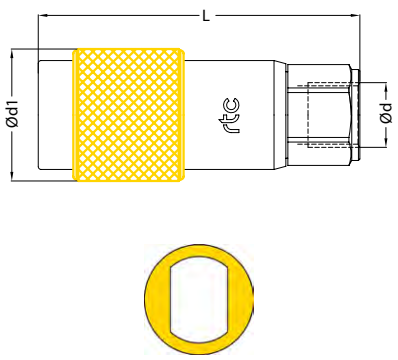
Flow Rate vs Pressure Drop Graph



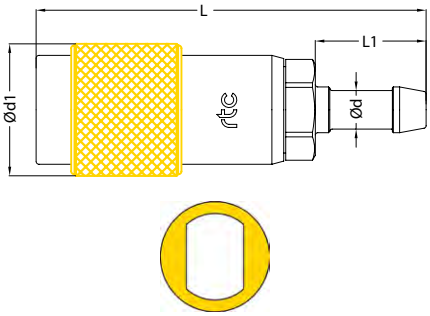
rtc TYPE 452.06 Two faces coded male thread socket / Zwei Seiten Rund kodierte Kupplung mit Aussengewinde

Socket / Kupplung	Size / Größe	Alternative Order No Alternative Bestellnr.	Order No / Bestellnr.	Ød	Ød1	L	L1	HEX.
 <p>*S6: Stainless Steel / Edelstahl (Colourless / Farblos) Y: Yellow / Gelb (Coloured / Farbig)</p>	6	R303 00 375	452.06 SMB 213-S6-Y	BSP 1/4	28	61.5	52	22
	6	R303 00 376	452.06 SMB 217-S6-Y	BSP 3/8	28	61.5	52	22
	6	R303 00 652	452.06 SMB 221-S6-Y	BSP 1/2	28	67.5	52	22
	6	R303 00 490	452.06 STB 213-S6-Y	NPT 1/4	28	62.5	52	22
	6	R303 00 653	452.06 STB 217-S6-Y	NPT 3/8	28	62.5	52	22
	6	R303 00 720	452.06 SMB 213-S6	BSP 1/4	28	61.5	52	22
	6	R303 00 721	452.06 SMB 217-S6	BSP 3/8	28	61.5	52	22
	6	R303 00 722	452.06 SMB 221-S6	BSP 1/2	28	67.5	52	22
	6	R303 00 723	452.06 STB 213-S6	NPT 1/4	28	62.5	52	22
	6	R303 00 724	452.06 STB 217-S6	NPT 3/8	28	62.5	52	22
	6	R203 00 403	452.06 SMB 213-S3	BSP 1/4	28	61.5	52	22
	6	R203 00 404	452.06 SMB 217-S3	BSP 3/8	28	61.5	52	22
	6	-	452.06 STB 213-S3	NPT 1/4	28	62.5	52	22
	6	-	452.06 STB 217-S3	NPT 3/8	28	62.5	52	22

rtc TYPE 452.06 Two faces coded female thread socket / Zwei Seiten Rund kodierte Kupplung mit Innengewinde

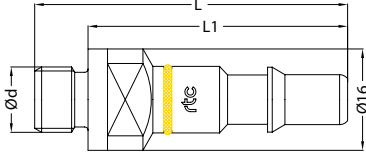
Socket / Kupplung	Size / Größe	Alternative Order No Alternative Bestellnr.	Order No / Bestellnr.	Ød	Ød1	L	L1	HEX.
 <p>*S6: Stainless Steel / Edelstahl (Colourless / Farblos) Y: Yellow / Gelb (Coloured / Farbig)</p>	6	R303 00 650	452.06 SFB 210-S6-Y	BSP 1/8	28	56	-	22
	6	R303 00 372	452.06 SFB 213-S6-Y	BSP 1/4	28	56	-	22
	6	R303 00 373	452.06 SFB 217-S6-Y	BSP 3/8	28	64.5	-	22
	6	R303 00 374	452.06 SFB 221-S6-Y	BSP 1/2	28	66.5	-	24
	6	R303 00 489	452.06 SNB 213-S6-Y	NPT 1/4	28	56	-	22
	6	R303 00 651	452.06 SNB 217-S6-Y	NPT 3/8	28	64.5	-	22
	6	R303 00 714	452.06 SFB 210-S6	BSP 1/8	28	56	-	22
	6	R303 00 715	452.06 SFB 213-S6	BSP 1/4	28	56	-	22
	6	R303 00 716	452.06 SFB 217-S6	BSP 3/8	28	64.5	-	22
	6	R303 00 717	452.06 SFB 221-S6	BSP 1/2	28	66.5	-	24
	6	R303 00 718	452.06 SNB 213-S6	NPT 1/4	28	56	-	22
	6	R303 00 719	452.06 SNB 217-S6	NPT 3/8	28	64.5	-	22
	6	R203 00 400	452.06 SFB 213-S3-Y	BSP 1/4	28	56	-	22
	6	R203 00 401	452.06 SFB 217-S3-Y	BSP 3/8	28	64.5	-	22
	6	R203 00 402	452.06 SFB 221-S3-Y	BSP 1/2	28	66.5	-	24
	6	-	452.06 SNB 213-S3-Y	NPT 1/4	28	56	-	22
	6	-	452.06 SNB 217-S3-Y	NPT 3/8	28	64.5	-	22

rtc TYPE 452.06 Two faces coded standard hose socket / Zwei Seiten Rund kodierte Kupplung mit Schlauchanschluss

Socket / Kupplung	Size / Größe	Alternative Order No Alternative Bestellnr.	Order No / Bestellnr.	Ød	Ød1	L	L1	HEX.
 <p>*S6: Stainless Steel / Edelstahl (Colourless / Farblos) Y: Yellow / Gelb (Coloured / Farbig)</p>	6	R303 00 377	452.06 SHB 206-S6-Y	Ø6 - 1/4	28	74.5	23	-
	6	R303 00 378	452.06 SHB 208-S6-Y	Ø8 - 5/16	28	74.5	23	-
	6	R303 00 379	452.06 SHB 210-S6-Y	Ø10 - 3/8	28	74.5	23	-
	6	R303 00 654	452.06 SHB 213-S6-Y	Ø13 - 1/2	28	74.5	23	-
	6	R303 00 725	452.06 SHB 206-S6	Ø6 - 1/4	28	74.5	23	-
	6	R303 00 726	452.06 SHB 208-S6	Ø8 - 5/16	28	74.5	23	-
	6	R303 00 727	452.06 SHB 210-S6	Ø10 - 3/8	28	74.5	23	-
	6	R303 00 728	452.06 SHB 213-S6	Ø13 - 1/2	28	74.5	23	-
	6	R203 00 405	452.06 SHB 206-S3-Y	Ø6 - 1/4	28	74.5	23	-
	6	R203 00 406	452.06 SHB 208-S3-Y	Ø8 - 5/16	28	74.5	23	-
	6	R203 00 407	452.06 SHB 210-S3-Y	Ø10 - 3/8	28	74.5	23	-
	6	-	452.06 SHB 213-S3-Y	Ø13 - 1/2	28	74.5	23	-

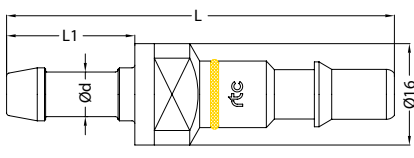
Two faces coded male thread plug / Zwei Seiten Rund kodierter Nippel mit Aussengewinde

TYPE 452.06 

Plug / Nippel	Size / Größe	Alternative Order No Alternative Bestellnr.	Order No / Bestellnr.	Ød	Ød1	L	L1	HEX.
 <p>*S6: Stainless Steel / Edelstahl (Colourless / Farblos) Y: Yellow / Gelb (Coloured / Farbig)</p>	6	R355 00 286	452.06 PMF 210-S6-Y	BSP 1/8	-	44	36	17
	6	R355 00 287	452.06 PMF 213-S6-Y	BSP 1/4	-	47	36	17
	6	R355 00 344	452.06 PTF 213-S6-Y	NPT 1/4	-	47	36	17
	6	R390 00 295	452.06 PMF 210-S6	BSP 1/8	-	44	36	17
	6	R390 00 296	452.06 PMF 213-S6	BSP 1/4	-	47	36	17
	6	R390 00 365	452.06 PTF 213-S6	NPT 1/4	-	47	36	17

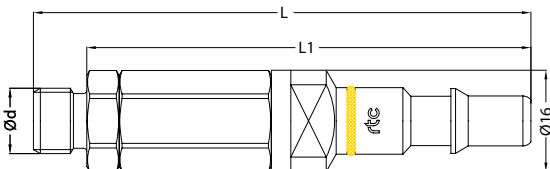
Two faces coded standard hose plug / Zwei Seiten Rund kodierter Nippel mit Schlauchanschluss

TYPE 452.06 

Plug / Nippel	Size / Größe	Alternative Order No Alternative Bestellnr.	Order No / Bestellnr.	Ød	Ød1	L	L1	HEX.
 <p>*S6: Stainless Steel / Edelstahl (Colourless / Farblos) Y: Yellow / Gelb (Coloured / Farbig)</p>	6	R355 00 288	452.06 PHF 206-S6-Y	Ø6 - 1/4	-	55.5	23	-
	6	R355 00 289	452.06 PHF 208-S6-Y	Ø8 - 5/16	-	55.5	23	-
	6	R355 00 290	452.06 PHF 210-S6-Y	Ø10 - 3/8	-	55.5	23	-
	6	R390 00 297	452.06 PHF 206-S6	Ø6 - 1/4	-	55.5	23	-
	6	R390 00 298	452.06 PHF 208-S6	Ø8 - 5/16	-	55.5	23	-
	6	R390 00 299	452.06 PHF 210-S6	Ø10 - 3/8	-	55.5	23	-

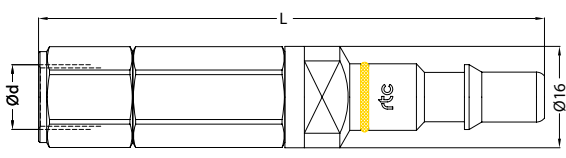
Two faces coded male thread plug with valve / Zwei Seiten Rund kodierter Verschlussnippel mit Aussengewinde

TYPE 452.06 

Plug / Nippel	Size / Größe	Alternative Order No Alternative Bestellnr.	Order No / Bestellnr.	Ød	L	L1	HEX.
 <p>*S6: Stainless Steel / Edelstahl (Colourless / Farblos) Y: Yellow / Gelb (Coloured / Farbig)</p>	6	R353 00 241	452.06 PMB 213-S6-Y	BSP 1/4	90	79	17
	6	R353 00 242	452.06 PMB 217-S6-Y	BSP 3/8	90	79	19
	6	R353 00 299	452.06 PTB 213-S6-Y	NPT 1/4	91	79	17
	6	R353 00 300	452.06 PTB 217-S6-Y	NPT 3/8	91	79	19
	6	R353 00 356	452.06 PMB 213-S6	BSP 1/4	90	79	17
	6	R353 00 364	452.06 PMB 217-S6	BSP 3/8	90	79	19
	6	R353 00 384	452.06 PTB 213-S6	NPT 1/4	91	79	17
	6	R353 00 392	452.06 PTB 217-S6	NPT 3/8	91	79	19

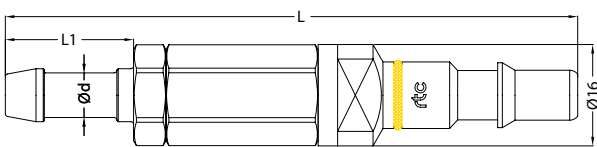
Two faces coded female thread plug with valve / Zwei Seiten Rund kodierter Verschlussnippel mit Innengewinde

TYPE 452.06 

Plug / Nippel	Size / Größe	Alternative Order No Alternative Bestellnr.	Order No / Bestellnr.	Ød	L	L1	HEX.
 <p>*S6: Stainless Steel / Edelstahl (Colourless / Farblos) Y: Yellow / Gelb (Coloured / Farbig)</p>	6	R353 00 239	452.06 PFB 213-S6-Y	BSP 1/4	90	-	17
	6	R353 00 240	452.06 PFB 217-S6-Y	BSP 3/8	90	-	19
	6	R353 00 297	452.06 PNB 213-S6-Y	NPT 1/4	90	-	17
	6	R353 00 298	452.06 PNB 217-S6-Y	NPT 3/8	90	-	19
	6	R353 00 360	452.06 PFB 213-S6	BSP 1/4	90	-	17
	6	R353 00 368	452.06 PFB 217-S6	BSP 3/8	90	-	19
	6	R353 00 388	452.06 PNB 213-S6	NPT 1/4	90	-	17
	6	R353 00 396	452.06 PNB 217-S6	NPT 3/8	90	-	19

Two faces coded standard hose plug with valve / Zwei Seiten Rund kodierter Verschlussnippel mit Schlauchanschluss

TYPE 452.06 

Plug / Nippel	Size / Größe	Alternative Order No Alternative Bestellnr.	Order No / Bestellnr.	Ød	Ød1	L	L1
 <p>*S6: Stainless Steel / Edelstahl (Colourless / Farblos) Y: Yellow / Gelb (Coloured / Farbig)</p>	6	R353 00 243	452.06 PHB 206-S6-Y	Ø6 - 1/4	-	100	23
	6	R353 00 244	452.06 PHB 208-S6-Y	Ø8 - 5/16	-	100	23
	6	R353 00 245	452.06 PHB 210-S6-Y	Ø10 - 3/8	-	100	23
	6	R353 00 376	452.06 PHB 206-S6	Ø6 - 1/4	-	100	23
	6	R353 00 380	452.06 PHB 208-S6	Ø8 - 5/16	-	100	23
	6	R353 00 372	452.06 PHB 210-S6	Ø10 - 3/8	-	100	23

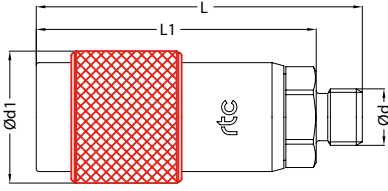
rtc TYPE 452.06

Triangle coded male thread socket / Dreieck kodierte Kupplung mit Aussengewinde



Socket / Kupplung

Size / Größe	Alternative Order No Alternative Bestellnr.	Order No / Bestellnr.	Ød	Ød1	L	L1	HEX.
6	R303 00 391	452.06 SMB 313-S6-R	BSP 1/4	28	61.5	52	22
6	R303 00 392	452.06 SMB 317-S6-R	BSP 3/8	28	61.5	52	22
6	R303 00 647	452.06 SMB 321-S6-R	BSP 1/2	28	67.5	52	22
6	R303 00 488	452.06 STB 313-S6-R	NPT 1/4	28	62.5	52	22
6	R303 00 648	452.06 STB 317-S6-R	NPT 3/8	28	62.5	52	22
6	R303 00 735	452.06 SMB 313-S6	BSP 1/4	28	61.5	52	22
6	R303 00 736	452.06 SMB 317-S6	BSP 3/8	28	61.5	52	22
6	R303 00 737	452.06 SMB 321-S6	BSP 1/2	28	67.5	52	22
6	R303 00 738	452.06 STB 313-S6	NPT 1/4	28	62.5	52	22
6	R303 00 739	452.06 STB 317-S6	NPT 3/8	28	62.5	52	22
6	R203 00 419	452.06 SMB 313-S3-R	BSP 1/4	28	61.5	52	22
6	R203 00 420	452.06 SMB 317-S3-R	BSP 3/8	28	61.5	52	22
6	-	452.06 STB 313-S3-R	NPT 1/4	28	62.5	52	22
6	-	452.06 STB 317-S3-R	NPT 3/8	28	62.5	52	22



*S6: Stainless Steel / Edelstahl (Colourless / Farblos)
R: Red / Rot (Coloured / Farbig)

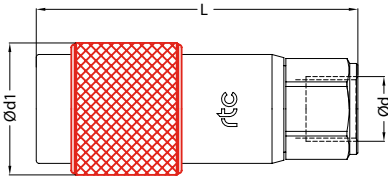
rtc TYPE 452.06

Triangle coded female thread socket / Dreieck kodierte Kupplung mit Innengewinde



Socket / Kupplung

Size / Größe	Alternative Order No Alternative Bestellnr.	Order No / Bestellnr.	Ød	Ød1	L	L1	HEX.
6	R303 00 645	452.06 SFB 310-S6-R	BSP 1/8	28	56	-	22
6	R303 00 388	452.06 SFB 313-S6-R	BSP 1/4	28	56	-	22
6	R303 00 389	452.06 SFB 317-S6-R	BSP 3/8	28	64.5	-	22
6	R303 00 390	452.06 SFB 321-S6-R	BSP 1/2	28	66.5	-	24
6	R303 00 487	452.06 SNB 313-S6-R	NPT 1/4	28	56	-	22
6	R303 00 646	452.06 SNB 317-S6-R	NPT 3/8	28	64.5	-	22
6	R303 00 729	452.06 SFB 310-S6	BSP 1/8	28	56	-	22
6	R303 00 730	452.06 SFB 313-S6	BSP 1/4	28	56	-	22
6	R303 00 731	452.06 SFB 317-S6	BSP 3/8	28	64.5	-	22
6	R303 00 732	452.06 SFB 321-S6	BSP 1/2	28	66.5	-	24
6	R303 00 733	452.06 SNB 313-S6	NPT 1/4	28	56	-	22
6	R303 00 734	452.06 SNB 317-S6	NPT 3/8	28	64.5	-	22
6	R203 00 416	452.06 SFB 313-S3-R	BSP 1/4	28	56	-	22
6	R203 00 417	452.06 SFB 317-S3-R	BSP 3/8	28	64.5	-	22
6	R203 00 418	452.06 SFB 321-S3-R	BSP 1/2	28	66.5	-	24
6	-	452.06 SNB 313-S3-R	NPT 1/4	28	56	-	22
6	-	452.06 SNB 317-S3-R	NPT 3/8	28	64.5	-	22



*S6: Stainless Steel / Edelstahl (Colourless / Farblos)
R: Red / Rot (Coloured / Farbig)

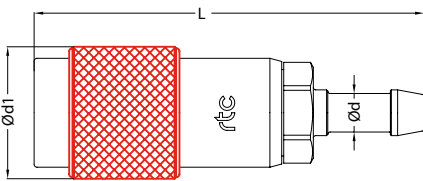
rtc TYPE 452.06

Triangle coded standard hose socket / Dreieck kodierte Kupplung mit Schlauchanschluss



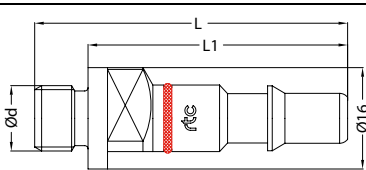
Socket / Kupplung

Size / Größe	Alternative Order No Alternative Bestellnr.	Order No / Bestellnr.	Ød	Ød1	L	L1	HEX.
6	R303 00 393	452.06 SHB 306-S6-R	Ø6 - 1/4	28	74.5	23	-
6	R303 00 394	452.06 SHB 308-S6-R	Ø8 - 5/16	28	74.5	23	-
6	R303 00 395	452.06 SHB 310-S6-R	Ø10 - 3/8	28	74.5	23	-
6	R303 00 649	452.06 SHB 313-S6-R	Ø13 - 1/2	28	74.5	23	-
6	R303 00 740	452.06 SHB 306-S6	Ø6 - 1/4	28	74.5	23	-
6	R303 00 741	452.06 SHB 308-S6	Ø8 - 5/16	28	74.5	23	-
6	R303 00 742	452.06 SHB 310-S6	Ø10 - 3/8	28	74.5	23	-
6	R303 00 743	452.06 SHB 313-S6	Ø13 - 1/2	28	74.5	23	-
6	R203 00 421	452.06 SHB 306-S3-R	Ø6 - 1/4	28	74.5	23	-
6	R203 00 422	452.06 SHB 308-S3-R	Ø8 - 5/16	28	74.5	23	-
6	R203 00 423	452.06 SHB 310-S3-R	Ø10 - 3/8	28	74.5	23	-
6	-	452.06 SHB 313-S3-R	Ø13 - 1/2	28	74.5	23	-

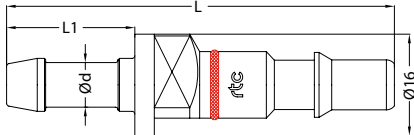


*S6: Stainless Steel / Edelstahl (Colourless / Farblos)
R: Red / Rot (Coloured / Farbig)

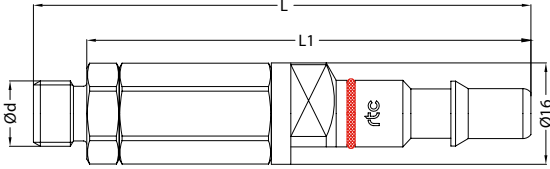
Triangle coded male thread plug / Dreieck kodierter Nippel mit Aussengewinde TYPE 452.06 

Plug / Nippel	Size / Größe	Alternative Order No Alternative Bestellnr.	Order No / Bestellnr.	Ød	Ød1	L	L1	HEX.
 <p>*S6: Stainless Steel / Edelstahl (Colourless / Farblos) R: Red / Rot (Coloured / Farbig)</p>	6	R355 00 296	452.06 PMF 310-S6-R	BSP 1/8	-	44	36	17
	6	R355 00 297	452.06 PMF 313-S6-R	BSP 1/4	-	47	36	17
	6	R355 00 343	452.06 PTF 313-S6-R	NPT 1/4	-	47	36	17
	6	R390 00 305	452.06 PMF 310-S6	BSP 1/8	-	44	36	17
	6	R390 00 306	452.06 PMF 313-S6	BSP 1/4	-	47	36	17
	6	R390 00 364	452.06 PTF 313-S6	NPT 1/4	-	47	36	17

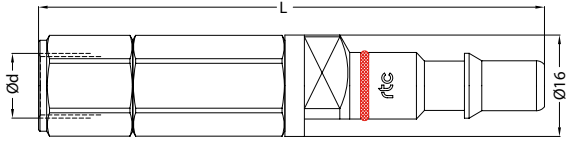
Triangle coded standard hose plug / Dreieck kodierter Nippel mit Schlauchanschluss TYPE 452.06 

Plug / Nippel	Size / Größe	Alternative Order No Alternative Bestellnr.	Order No / Bestellnr.	Ød	Ød1	L	L1	HEX.
 <p>*S6: Stainless Steel / Edelstahl (Colourless / Farblos) R: Red / Rot (Coloured / Farbig)</p>	6	R355 00 298	452.06 PHF 306-S6-R	Ø6 - 1/4	-	55.5	23	-
	6	R355 00 299	452.06 PHF 308-S6-R	Ø8 - 5/16	-	55.5	23	-
	6	R355 00 300	452.06 PHF 310-S6-R	Ø10 - 3/8	-	55.5	23	-
	6	R355 00 173	452.06 PHF 313-S6-R	Ø13 - 1/2	-	55.5	23	-
	6	R390 00 307	452.06 PHF 306-S6	Ø6 - 1/4	-	55.5	23	-
	6	R390 00 308	452.06 PHF 308-S6	Ø8 - 5/16	-	55.5	23	-
	6	R390 00 309	452.06 PHF 310-S6	Ø10 - 3/8	-	55.5	23	-

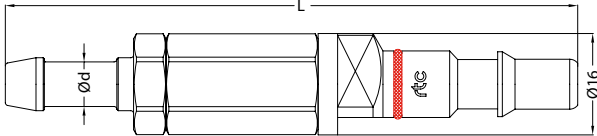
Triangle coded male thread plug with valve / Dreieck kodierter Verschlussnippel mit Aussengewinde TYPE 452.06 

Plug / Nippel	Size / Größe	Alternative Order No Alternative Bestellnr.	Order No / Bestellnr.	Ød	L	L1	HEX.
 <p>*S6: Stainless Steel / Edelstahl (Colourless / Farblos) R: Red / Rot (Coloured / Farbig)</p>	6	R353 00 255	452.06 PMB 313-S6-R	BSP 1/4	90	79	17
	6	R353 00 256	452.06 PMB 317-S6-R	BSP 3/8	90	79	19
	6	R353 00 295	452.06 PTB 313-S6-R	NPT 1/4	91	79	17
	6	R353 00 296	452.06 PTB 317-S6-R	NPT 3/8	91	79	19
	6	R353 00 355	452.06 PMB 313-S6	BSP 1/4	90	79	17
	6	R353 00 363	452.06 PMB 317-S6	BSP 3/8	90	79	19
	6	R353 00 387	452.06 PTB 313-S6	NPT 1/4	91	79	17
	6	R353 00 391	452.06 PTB 317-S6	NPT 3/8	91	79	19

Triangle coded female thread plug with valve / Dreieck kodierter Verschlussnippel mit Innengewinde TYPE 452.06 

Plug / Nippel	Size / Größe	Alternative Order No Alternative Bestellnr.	Order No / Bestellnr.	Ød	L	L1	HEX.
 <p>*S6: Stainless Steel / Edelstahl (Colourless / Farblos) R: Red / Rot (Coloured / Farbig)</p>	6	R353 00 253	452.06 PFB 313-S6-R	BSP 1/4	90	-	17
	6	R353 00 254	452.06 PFB 317-S6-R	BSP 3/8	90	-	19
	6	R353 00 293	452.06 PNB 313-S6-R	NPT 1/4	90	-	17
	6	R353 00 294	452.06 PNB 317-S6-R	NPT 3/8	90	-	19
	6	R353 00 359	452.06 PFB 313-S6	BSP 1/4	90	-	17
	6	R353 00 367	452.06 PFB 317-S6	BSP 3/8	90	-	19
	6	R353 00 383	452.06 PNB 313-S6	NPT 1/4	90	-	17
	6	R353 00 395	452.06 PNB 317-S6	NPT 3/8	90	-	19

Triangle coded standard hose plug with valve / Dreieck kodierter Verschlussnippel mit Schlauchanschluss TYPE 452.06 

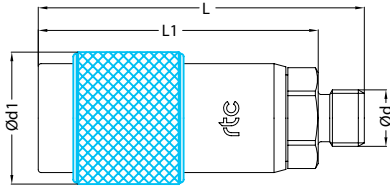
Plug / Nippel	Size / Größe	Alternative Order No Alternative Bestellnr.	Order No / Bestellnr.	Ød	Ød1	L	L1
 <p>*S6: Stainless Steel / Edelstahl (Colourless / Farblos) R: Red / Rot (Coloured / Farbig)</p>	6	R353 00 257	452.06 PHB 306-S6-R	Ø6 - 1/4	-	100	23
	6	R353 00 258	452.06 PHB 308-S6-R	Ø8 - 5/16	-	100	23
	6	R353 00 259	452.06 PHB 310-S6-R	Ø10 - 3/8	-	100	23
	6	R353 00 375	452.06 PHB 306-S6	Ø6 - 1/4	-	100	23
	6	R353 00 379	452.06 PHB 308-S6	Ø8 - 5/16	-	100	23
	6	R353 00 371	452.06 PHB 310-S6	Ø10 - 3/8	-	100	23

rtc TYPE 452.06

Square coded male thread socket / Viereck kodierte Kupplung mit Aussengewinde



Socket / Kupplung



*S6: Stainless Steel / Edelstahl (Colourless / Farblos)
B: Blue / Blau (Coloured / Farbig)

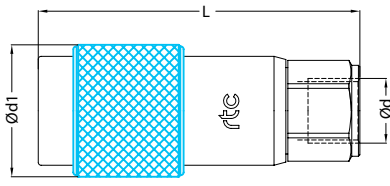
Size / Größe	Alternative Order No Alternative Bestellnr.	Order No / Bestellnr.	Ød	Ød1	L	L1	HEX.
6	R303 00 383	452.06 SMB 413-S6-B	BSP 1/4	28	61.5	52	22
6	R303 00 384	452.06 SMB 417-S6-B	BSP 3/8	28	61.5	52	22
6	R303 00 662	452.06 SMB 421-S6-B	BSP 1/2	28	67.5	52	22
6	R303 00 494	452.06 STB 413-S6-B	NPT 1/4	28	62.5	52	22
6	R303 00 663	452.06 STB 417-S6-B	NPT 3/8	28	62.5	52	22
6	R303 00 705	452.06 SMB 413-S6	BSP 1/4	28	61.5	52	22
6	R303 00 706	452.06 SMB 417-S6	BSP 3/8	28	61.5	52	22
6	R303 00 707	452.06 SMB 421-S6	BSP 1/2	28	67.5	52	22
6	R303 00 708	452.06 STB 413-S6	NPT 1/4	28	62.5	52	22
6	R303 00 709	452.06 STB 417-S6	NPT 3/8	28	62.5	52	22
6	R203 00 411	452.06 SMB 413-S3-B	BSP 1/4	28	61.5	52	22
6	R203 00 412	452.06 SMB 417-S3-B	BSP 3/8	28	61.5	52	22
6	-	452.06 STB 413-S3-B	NPT 1/4	28	62.5	52	22
6	-	452.06 STB 417-S3-B	NPT 3/8	28	62.5	52	22

rtc TYPE 452.06

Square coded female thread socket / Viereck kodierte Kupplung mit Innengewinde



Socket / Kupplung



*S6: Stainless Steel / Edelstahl (Colourless / Farblos)
B: Blue / Blau (Coloured / Farbig)

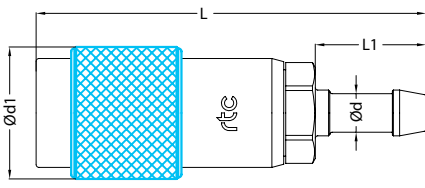
Size / Größe	Alternative Order No Alternative Bestellnr.	Order No / Bestellnr.	Ød	Ød1	L	L1	HEX.
6	R303 00 660	452.06 SFB 410-S6-B	BSP 1/8	28	56	-	22
6	R303 00 380	452.06 SFB 413-S6-B	BSP 1/4	28	56	-	22
6	R303 00 381	452.06 SFB 417-S6-B	BSP 3/8	28	64.5	-	22
6	R303 00 382	452.06 SFB 421-S6-B	BSP 1/2	28	66.5	-	24
6	R303 00 493	452.06 SNB 413-S6-B	NPT 1/4	28	56	-	22
6	R303 00 661	452.06 SNB 417-S6-B	NPT 3/8	28	64.5	-	22
6	R303 00 699	452.06 SFB 410-S6	BSP 1/8	28	56	-	22
6	R303 00 700	452.06 SFB 413-S6	BSP 1/4	28	56	-	22
6	R303 00 701	452.06 SFB 417-S6	BSP 3/8	28	64.5	-	22
6	R303 00 702	452.06 SFB 421-S6	BSP 1/2	28	66.5	-	24
6	R303 00 703	452.06 SNB 413-S6	NPT 1/4	28	56	-	22
6	R303 00 704	452.06 SNB 417-S6	NPT 3/8	28	64.5	-	22
6	R203 00 408	452.06 SFB 410-S3-B	BSP 1/4	28	56	-	22
6	R203 00 409	452.06 SFB 413-S3-B	BSP 3/8	28	64.5	-	22
6	R203 00 410	452.06 SFB 417-S3-B	BSP 1/2	28	66.5	-	24
6	-	452.06 SNB 413-S3-B	NPT 1/4	28	56	-	22
6	-	452.06 SNB 417-S3-B	NPT 3/8	28	64.5	-	22

rtc TYPE 452.06

Square coded standard hose socket / Viereck kodierte Kupplung mit Schlauchanschluss



Socket / Kupplung

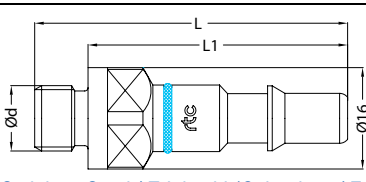


*S6: Stainless Steel / Edelstahl (Colourless / Farblos)
B: Blue / Blau (Coloured / Farbig)

Size / Größe	Alternative Order No Alternative Bestellnr.	Order No / Bestellnr.	Ød	Ød1	L	L1	HEX.
6	R303 00 385	452.06 SHB 406-S6-B	Ø6 - 1/4	28	74.5	23	-
6	R303 00 386	452.06 SHB 408-S6-B	Ø8 - 5/16	28	74.5	23	-
6	R303 00 387	452.06 SHB 410-S6-B	Ø10 - 3/8	28	74.5	23	-
6	R303 00 664	452.06 SHB 413-S6-B	Ø13 - 1/2	28	74.5	23	-
6	R303 00 710	452.06 SHB 406-S6	Ø6 - 1/4	28	74.5	23	-
6	R303 00 711	452.06 SHB 408-S6	Ø8 - 5/16	28	74.5	23	-
6	R303 00 712	452.06 SHB 410-S6	Ø10 - 3/8	28	74.5	23	-
6	R303 00 713	452.06 SHB 413-S6	Ø13 - 1/2	28	74.5	23	-
6	R203 00 413	452.06 SHB 406-S3-B	Ø6 - 1/4	28	74.5	23	-
6	R203 00 414	452.06 SHB 408-S3-B	Ø8 - 5/16	28	74.5	23	-
6	R203 00 415	452.06 SHB 410-S3-B	Ø10 - 3/8	28	74.5	23	-
6	-	452.06 SHB 413-S3-B	Ø13 - 1/2	28	74.5	23	-

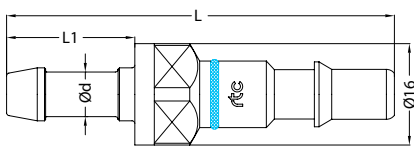
Square coded male thread plug / Viereck kodierter Nippel mit Aussengewinde

TYPE 452.06 

Plug / Nippel	Size / Größe	Alternative Order No Alternative Bestellnr.	Order No / Bestellnr.	Ød	Ød1	L	L1	HEX.
 <p>*S6: Stainless Steel / Edelstahl (Colourless / Farblos) B: Blue / Blau (Coloured / Farbig)</p>	6	R355 00 291	452.06 PMF 410-S6-B	BSP 1/8	-	44	36	17
	6	R355 00 292	452.06 PMF 413-S6-B	BSP 1/4	-	47	36	17
	6	R355 00 346	452.06 PTF 413-S6-B	NPT 1/4	-	47	36	17
	6	R390 00 300	452.06 PMF 410-S6	BSP 1/8	-	44	36	17
	6	R390 00 301	452.06 PMF 413-S6	BSP 1/4	-	47	36	17
	6	R390 00 367	452.06 PTF 413-S6	NPT 1/4	-	47	36	17

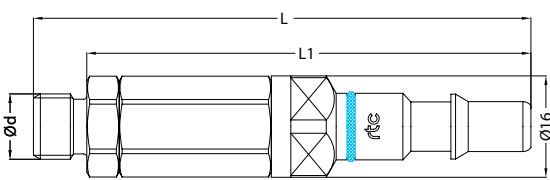
Square coded standard hose plug / Viereck kodierter Nippel mit Schlauchanschluss

TYPE 452.06 

Plug / Nippel	Size / Größe	Alternative Order No Alternative Bestellnr.	Order No / Bestellnr.	Ød	Ød1	L	L1	HEX.
 <p>*S6: Stainless Steel / Edelstahl (Colourless / Farblos) B: Blue / Blau (Coloured / Farbig)</p>	6	R355 00 293	452.06 PHF 406-S6-B	Ø6 - 1/4	-	55.5	23	-
	6	R355 00 294	452.06 PHF 408-S6-B	Ø8 - 5/16	-	55.5	23	-
	6	R355 00 295	452.06 PHF 410-S6-B	Ø10 - 3/8	-	55.5	23	-
	6	R390 00 302	452.06 PHF 406-S6	Ø6 - 1/4	-	55.5	23	-
	6	R390 00 303	452.06 PHF 408-S6	Ø8 - 5/16	-	55.5	23	-
	6	R390 00 304	452.06 PHF 410-S6	Ø10 - 3/8	-	55.5	23	-

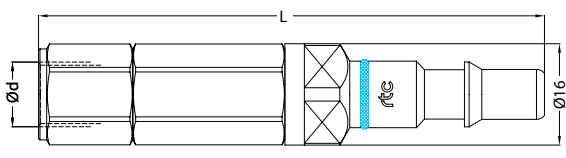
Square coded male thread plug with valve / Viereck kodierter Verschlussnippel mit Aussengewinde

TYPE 452.06 

Plug / Nippel	Size / Größe	Alternative Order No Alternative Bestellnr.	Order No / Bestellnr.	Ød	L	L1	HEX.
 <p>*S6: Stainless Steel / Edelstahl (Colourless / Farblos) B: Blue / Blau (Coloured / Farbig)</p>	6	R353 00 248	452.06 PMB 413-S6-B	BSP 1/4	90	79	17
	6	R353 00 249	452.06 PMB 417-S6-B	BSP 3/8	90	79	19
	6	R353 00 307	452.06 PTB 413-S6-B	NPT 1/4	91	79	17
	6	R353 00 308	452.06 PTB 417-S6-B	NPT 3/8	91	79	19
	6	R353 00 358	452.06 PMB 413-S6	BSP 1/4	90	79	17
	6	R353 00 366	452.06 PMB 417-S6	BSP 3/8	90	79	19
	6	R353 00 386	452.06 PTB 413-S6	NPT 1/4	91	79	17
	6	R353 00 394	452.06 PTB 417-S6	NPT 3/8	91	79	19

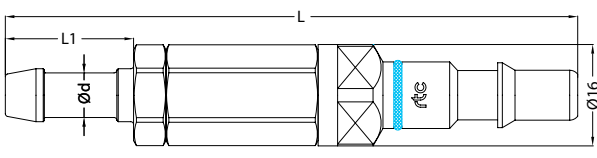
Square coded female thread plug with valve / Viereck kodierter Verschlussnippel mit Innengewinde

TYPE 452.06 

Plug / Nippel	Size / Größe	Alternative Order No Alternative Bestellnr.	Order No / Bestellnr.	Ød	L	L1	HEX.
 <p>*S6: Stainless Steel / Edelstahl (Colourless / Farblos) B: Blue / Blau (Coloured / Farbig)</p>	6	R353 00 246	452.06 PFB 413-S6-B	BSP 1/4	90	-	17
	6	R353 00 247	452.06 PFB 417-S6-B	BSP 3/8	90	-	19
	6	R353 00 305	452.06 PNB 413-S6-B	NPT 1/4	90	-	17
	6	R353 00 306	452.06 PNB 417-S6-B	NPT 3/8	90	-	19
	6	R353 00 362	452.06 PFB 413-S6	BSP 1/4	90	-	17
	6	R353 00 370	452.06 PFB 417-S6	BSP 3/8	90	-	19
	6	R353 00 390	452.06 PNB 413-S6	NPT 1/4	90	-	17
	6	R353 00 398	452.06 PNB 417-S6	NPT 3/8	90	-	19

Square coded standard hose plug with valve / Viereck kodierter Verschlussnippel mit Schlauchanschluss

TYPE 452.06 

Plug / Nippel	Size / Größe	Alternative Order No Alternative Bestellnr.	Order No / Bestellnr.	Ød	Ød1	L	L1
 <p>*S6: Stainless Steel / Edelstahl (Colourless / Farblos) B: Blue / Blau (Coloured / Farbig)</p>	6	R353 00 250	452.06 PHB 406-S6-B	Ø6 - 1/4	-	100	23
	6	R353 00 251	452.06 PHB 408-S6-B	Ø8 - 5/16	-	100	23
	6	R353 00 252	452.06 PHB 410-S6-B	Ø10 - 3/8	-	100	23
	6	R353 00 378	452.06 PHB 406-S6	Ø6 - 1/4	-	100	23
	6	R353 00 382	452.06 PHB 408-S6	Ø8 - 5/16	-	100	23
	6	R353 00 374	452.06 PHB 410-S6	Ø10 - 3/8	-	100	23

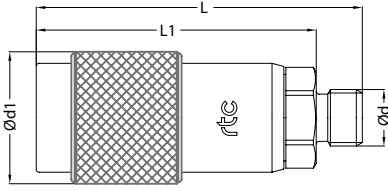
rtc TYPE 452.06

Pentagonal coded male thread socket / Fünfeck kodierte Kupplung mit Aussengewinde



Socket / Kupplung

Size / Größe	Alternative Order No Alternative Bestellnr.	Order No / Bestellnr.	Ød	Ød1	L	L1	HEX.
6	R303 00 399	452.06 SMB 513-S6-F	BSP 1/4	28	61.5	52	22
6	R303 00 400	452.06 SMB 517-S6-F	BSP 3/8	28	61.5	52	22
6	R303 00 657	452.06 SMB 521-S6-F	BSP 1/2	28	67.5	52	22
6	R303 00 492	452.06 STB 513-S6-F	NPT 1/4	28	62.5	52	22
6	R303 00 658	452.06 STB 517-S6-F	NPT 3/8	28	62.5	52	22
6	R303 00 750	452.06 SMB 513-S6	BSP 1/4	28	61.5	52	22
6	R303 00 751	452.06 SMB 517-S6	BSP 3/8	28	61.5	52	22
6	R303 00 752	452.06 SMB 521-S6	BSP 1/2	28	67.5	52	22
6	R303 00 753	452.06 STB 513-S6	NPT 1/4	28	62.5	52	22
6	R303 00 754	452.06 STB 517-S6	NPT 3/8	28	62.5	52	22
6	R203 00 395	452.06 SMB 513-S3-F	BSP 1/4	28	61.5	52	22
6	R203 00 396	452.06 SMB 517-S3-F	BSP 3/8	28	61.5	52	22
6	-	452.06 STB 513-S3-F	NPT 1/4	28	62.5	52	22
6	-	452.06 STB 517-S3-F	NPT 3/8	28	62.5	52	22



*S6: Stainless Steel / Edelstahl (Colourless / Farblos)
F: Grey / Grau (Coloured / Farbig)

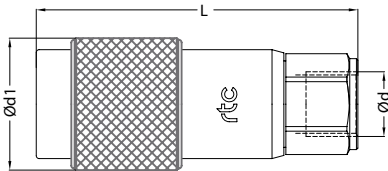
rtc TYPE 452.06

Pentagonal coded female thread socket / Fünfeck kodierte Kupplung mit Innengewinde



Socket / Kupplung

Size / Größe	Alternative Order No Alternative Bestellnr.	Order No / Bestellnr.	Ød	Ød1	L	L1	HEX.
6	R303 00 655	452.06 SFB 510-S6-F	BSP 1/8	28	56	-	22
6	R303 00 396	452.06 SFB 513-S6-F	BSP 1/4	28	56	-	22
6	R303 00 397	452.06 SFB 517-S6-F	BSP 3/8	28	64.5	-	22
6	R303 00 398	452.06 SFB 521-S6-F	BSP 1/2	28	66.5	-	24
6	R303 00 491	452.06 SNB 513-S6-F	NPT 1/4	28	56	-	22
6	R303 00 656	452.06 SNB 517-S6-F	NPT 3/8	28	64.5	-	22
6	R303 00 744	452.06 SFB 510-S6	BSP 1/8	28	56	-	22
6	R303 00 745	452.06 SFB 513-S6	BSP 1/4	28	56	-	22
6	R303 00 746	452.06 SFB 517-S6	BSP 3/8	28	64.5	-	22
6	R303 00 747	452.06 SFB 521-S6	BSP 1/2	28	66.5	-	24
6	R303 00 748	452.06 SNB 513-S6	NPT 1/4	28	56	-	22
6	R303 00 749	452.06 SNB 517-S6	NPT 3/8	28	64.5	-	22
6	R203 00 392	452.06 SFB 510-S3-F	BSP 1/4	28	56	-	22
6	R203 00 393	452.06 SFB 513-S3-F	BSP 3/8	28	64.5	-	22
6	R203 00 394	452.06 SFB 517-S3-F	BSP 1/2	28	66.5	-	24
6	-	452.06 SNB 513-S3-F	NPT 1/4	28	56	-	22
6	-	452.06 SNB 517-S3-F	NPT 3/8	28	64.5	-	22



*S6: Stainless Steel / Edelstahl (Colourless / Farblos)
F: Grey / Grau (Coloured / Farbig)

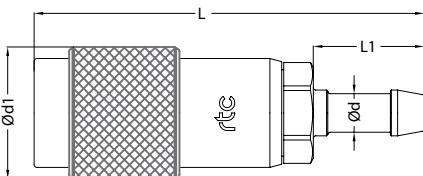
rtc TYPE 452.06

Pentagonal coded standard hose socket / Fünfeck kodierte Kupplung mit Schlauchanschluss



Socket / Kupplung

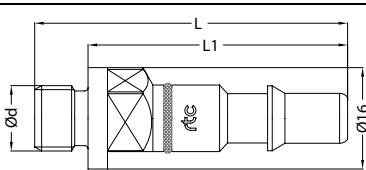
Size / Größe	Alternative Order No Alternative Bestellnr.	Order No / Bestellnr.	Ød	Ød1	L	L1	HEX.
6	R303 00 401	452.06 SHB 506-S6-F	Ø6 - 1/4	28	74.5	23	-
6	R303 00 402	452.06 SHB 508-S6-F	Ø8 - 5/16	28	74.5	23	-
6	R303 00 403	452.06 SHB 510-S6-F	Ø10 - 3/8	28	74.5	23	-
6	R303 00 659	452.06 SHB 513-S6-F	Ø13 - 1/2	28	74.5	23	-
6	R303 00 755	452.06 SHB 506-S6	Ø6 - 1/4	28	74.5	23	-
6	R303 00 756	452.06 SHB 508-S6	Ø8 - 5/16	28	74.5	23	-
6	R303 00 757	452.06 SHB 510-S6	Ø10 - 3/8	28	74.5	23	-
6	R303 00 758	452.06 SHB 513-S6	Ø13 - 1/2	28	74.5	23	-
6	R203 00 397	452.06 SHB 506-S3-F	Ø6 - 1/4	28	74.5	23	-
6	R203 00 398	452.06 SHB 508-S3-F	Ø8 - 5/16	28	74.5	23	-
6	R203 00 399	452.06 SHB 510-S3-F	Ø10 - 3/8	28	74.5	23	-
6	-	452.06 SHB 513-S3-F	Ø13 - 1/2	28	74.5	23	-



*S6: Stainless Steel / Edelstahl (Colourless / Farblos)
F: Grey / Grau (Coloured / Farbig)

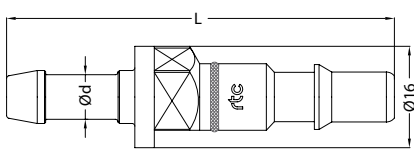
Pentagonal coded male thread plug / Fünfeck kodierter Nippel mit Aussengewinde

TYPE 452.06 

Plug / Nippel	Size / Größe	Alternative Order No Alternative Bestellnr.	Order No / Bestellnr.	Ød	Ød1	L	L1	HEX.
 <p>*S6: Stainless Steel / Edelstahl (Colourless / Farblos) F: Grey / Grau (Coloured / Farbig)</p>	6	R355 00 306	452.06 PMF 510-S6-F	BSP 1/8	-	44	36	17
	6	R355 00 307	452.06 PMF 513-S6-F	BSP 1/4	-	47	36	17
	6	R355 00 345	452.06 PTF 513-S6-F	NPT 1/4	-	47	36	17
	6	R390 00 310	452.06 PMF 510-S6	BSP 1/8	-	44	36	17
	6	R390 00 311	452.06 PMF 513-S6	BSP 1/4	-	47	36	17
	6	R390 00 366	452.06 PTF 513-S6	NPT 1/4	-	47	36	17

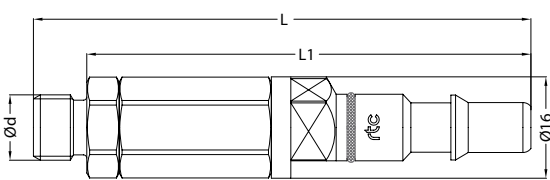
Pentagonal standard hose plug / Fünfeck kodierter Nippel mit Schlauchanschluss

TYPE 452.06 

Plug / Nippel	Size / Größe	Alternative Order No Alternative Bestellnr.	Order No / Bestellnr.	Ød	Ød1	L	L1	HEX.
 <p>*S6: Stainless Steel / Edelstahl (Colourless / Farblos) F: Grey / Grau (Coloured / Farbig)</p>	6	R355 00 308	452.06 PHF 506-S6-F	Ø6 - 1/4	-	55.5	23	-
	6	R355 00 309	452.06 PHF 508-S6-F	Ø8 - 5/16	-	55.5	23	-
	6	R355 00 310	452.06 PHF 510-S6-F	Ø10 - 3/8	-	55.5	23	-
	6	R390 00 312	452.06 PHF 506-S6	Ø6 - 1/4	-	55.5	23	-
	6	R390 00 313	452.06 PHF 508-S6	Ø8 - 5/16	-	55.5	23	-
	6	R390 00 314	452.06 PHF 510-S6	Ø10 - 3/8	-	55.5	23	-

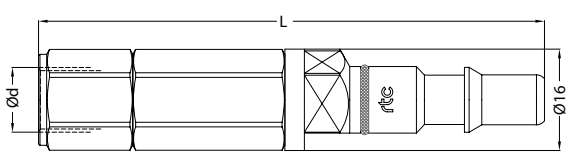
Pentagonal male thread plug with valve / Fünfeck kodierter Verschlussnippel mit Aussengewinde

TYPE 452.06 

Plug / Nippel	Size / Größe	Alternative Order No Alternative Bestellnr.	Order No / Bestellnr.	Ød	L	L1	HEX.
 <p>*S6: Stainless Steel / Edelstahl (Colourless / Farblos) F: Grey / Grau (Coloured / Farbig)</p>	6	R353 00 262	452.06 PMB 513-S6-F	BSP 1/4	90	79	17
	6	R353 00 263	452.06 PMB 517-S6-F	BSP 3/8	90	79	19
	6	R353 00 303	452.06 PTB 513-S6-F	NPT 1/4	91	79	17
	6	R353 00 304	452.06 PTB 517-S6-F	NPT 3/8	91	79	19
	6	R353 00 357	452.06 PMB 513-S6	BSP 1/4	90	79	17
	6	R353 00 365	452.06 PMB 517-S6	BSP 3/8	90	79	19
	6	R353 00 385	452.06 PTB 513-S6	NPT 1/4	91	79	17
	6	R353 00 393	452.06 PTB 517-S6	NPT 3/8	91	79	19

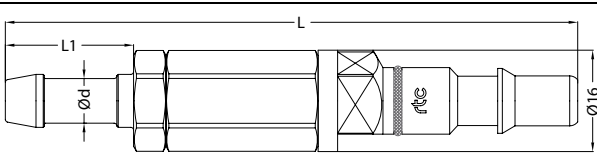
Pentagonal coded female thread plug with valve / Fünfeck kodierter Verschlussnippel mit Innengewinde

TYPE 452.06 

Plug / Nippel	Size / Größe	Alternative Order No Alternative Bestellnr.	Order No / Bestellnr.	Ød	L	L1	HEX.
 <p>*S6: Stainless Steel / Edelstahl (Colourless / Farblos) F: Grey / Grau (Coloured / Farbig)</p>	6	R353 00 260	452.06 PFB 513-S6-F	BSP 1/4	90	-	17
	6	R353 00 261	452.06 PFB 517-S6-F	BSP 3/8	90	-	19
	6	R353 00 301	452.06 PNB 513-S6-F	NPT 1/4	90	-	17
	6	R353 00 302	452.06 PNB 517-S6-F	NPT 3/8	90	-	19
	6	R353 00 361	452.06 PFB 513-S6	BSP 1/4	90	-	17
	6	R353 00 369	452.06 PFB 517-S6	BSP 3/8	90	-	19
	6	R353 00 389	452.06 PNB 513-S6	NPT 1/4	90	-	17
	6	R353 00 397	452.06 PNB 517-S6	NPT 3/8	90	-	19

Pentagonal coded standard hose plug with valve / Fünfeck kodierter Verschlussnippel mit Schlauchanschluss

TYPE 452.06 

Plug / Nippel	Size / Größe	Alternative Order No Alternative Bestellnr.	Order No / Bestellnr.	Ød	Ød1	L	L1
 <p>*S6: Stainless Steel / Edelstahl (Colourless / Farblos) F: Grey / Grau (Coloured / Farbig)</p>	6	R353 00 264	452.06 PHB 506-S6-F	Ø6 - 1/4	-	100	13
	6	R353 00 265	452.06 PHB 508-S6-F	Ø8 - 5/16	-	100	13
	6	R353 00 266	452.06 PHB 510-S6-F	Ø10 - 3/8	-	100	13
	6	R353 00 377	452.06 PHB 506-S6	Ø6 - 1/4	-	100	13
	6	R353 00 381	452.06 PHB 508-S6	Ø8 - 5/16	-	100	13
	6	R353 00 373	452.06 PHB 510-S6	Ø10 - 3/8	-	100	13



rtc[®]

COUPLING TECHNOLOGY



453

rtc TYPE



Temperature Range - Temperaturbereich

Nitrile (N)	-20°C + 110°C (-4°F + 230°F)
FPM (V)	-20°C + 180°C (-4°F + 356°F)
EPDM (Ethylene Propylene)	-40°C + 150°C (-40°F + 302°F)

Flow size - Nennweiten

rtc type 453.11	11mm
rtc type 453.19	19mm

Working Pressure - Betriebsdruck

25 Bar (360 PSI)

Connction/Disconnection Pressure - Druck bei Ein- und Auskuppeln

15 Bar (220 PSI)

Material of steel version / Material für die Stahl Version

Socket Body - Kupplungsgrundkörper	Steel zinc-nickel plated Stahl Zink-Nickel beschichtet
Back Part - Hinterteil	Steel zinc-nickel plated Stahl Zink-Nickel beschichtet
Sleeve - Hülse	Steel zinc-nickel plated and orange painted Stahl Zink-Nickel beschichtet und orange Lackiert
Springs - Federn	Stainless steel - Edelstahl
Seals - Dichtungen	Nitrile (N)
Plug - Nippel	Steel zinc-nickel plated Stahl Zink-Nickel beschichtet

Material of stainless steel version

Material für die Edelstahlversion

Socket Body - Kupplungsgrundkörper	Stainless steel Edelstahl
Back Part - Hinterteil	Stainless steel - Edelstahl
Sleeve - Hülse	Stainless steel - Edelstahl
Springs - Federn	Stainless steel - Edelstahl
Seals - Dichtungen	FPM (V)
Plug - Nippel	Stainless steel - Edelstahl

Advantages

- The system perfectly fits to the **ISO 4414, EN 983** safety requirements.
- 2 stage disconnection safety feature
- Suitable for Heavy Duty Applications

Vorteil

- Sicherheit gemäß **ISO 4414, EN 983**
- 2 stufen Sicherheitsentriegelung
- Geeignet für Heavy-Duty Anwendungen

Working Principle

- Connection

Push the plug in the right position into the coupling and turn until it is heard to "engage" by a click by one-hand

- Disconnection

The plug can only be released by pulling the sleeve backwards while the plug is turned 90° inside the coupling around its own axis.

Arbeitsprinzip

- Einkuppeln

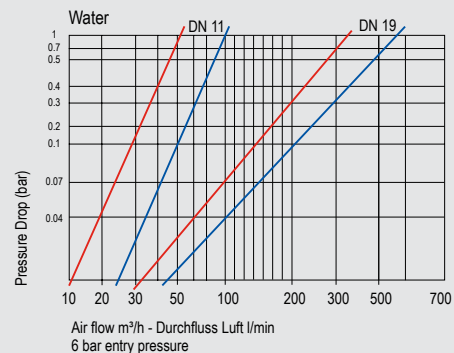
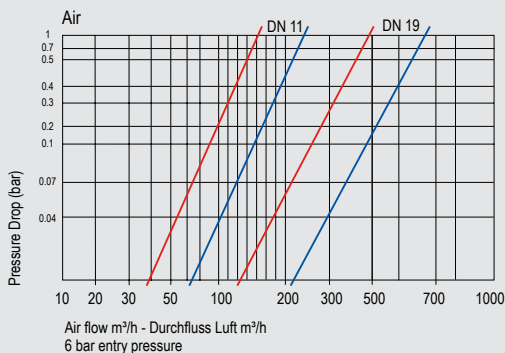
Der Nippel wird in der richtigen Position in die Kupplung eingedrückt und dabei um 90° gedreht. Das Einrasten ist hörbar.

- Entkuppeln

Zum Entkuppeln wird die Hülse zurück gezogen während der Nippel um die eigene Achse um 90° gedreht wird.



Flow Rate vs Pressure Drop Graph



453
rtc TYPE

rtc TYPE 453

Male thread socket / Kupplung mit Aussengewinde



Socket / Kupplung	Size / Größe	Alternative Order No Alternative Bestellnr.	Order No / Bestellnr.	Ød	Ød1	L	L1	HEX.
	11	-	453.11 SMB 21	BSP 1/2	50	87	13	32
		-	453.11 SMB 26	BSP 3/4	50	90	16	32
	11	R303 00 634	453.11 SMB 17-S6	BSP 3/8	50	86	12	32
		R303 00 635	453.11 SMB 21-S6	BSP 1/2	50	87	13	32
		R303 00 636	453.11 SMB 26-S6	BSP 3/4	50	90	16	32
		R303 00 637	453.11 SMB 33-S6	BSP 1	50	92	18	36
		R303 00 638	453.11 SNB 17-S6	NPT 3/8	50	86	12	32
		R303 00 639	453.11 SNB 21-S6	NPT 1/2	50	91	17	32
		R303 00 640	453.11 SNB 26-S6	NPT 3/4	50	93	19	32

rtc TYPE 453

Female thread socket / Kupplung mit Innengewinde



Socket / Kupplung	Size / Größe	Alternative Order No Alternative Bestellnr.	Order No / Bestellnr.	Ød	Ød1	L	HEX.
	11	R203 00 136	453.11 SFB 17	BSP 3/8	50	80	32
		R203 00 138	453.11 SFB 21	BSP 1/2	50	82	32
		R203 00 140	453.11 SFB 26	BSP 3/4	50	88	32
		-	453.11 SNB 21	NPT 1/2	50	82	32
	11	R303 00 629	453.11 SFB 17-S6	BSP 3/8	50	80	32
		R303 00 206	453.11 SFB 21-S6	BSP 1/2	50	82	32
		R303 00 630	453.11 SFB 26-S6	BSP 3/4	50	88	32
		R303 00 631	453.11 SNB 17-S6	NPT 3/8	50	80	32
		R303 00 632	453.11 SNB 21-S6	NPT 1/2	50	82	32
		R303 00 633	453.11 SNB 26-S6	NPT 3/4	50	88	32
	19	R203 00 280	453.19 SFB 26	BSP 3/4	60	104	45
		R203 00 278	453.19 SFB 33	BSP 1	60	104	45
		-	453.19 SNB 26	NPT 3/4	60	104	45
	19	R303 00 641	453.19 SNB 26-S6	BSP 3/4	60	104	45
		R303 00 642	453.19 SNB 33-S6	BSP 1	60	104	45
		R303 00 643	453.19 SNB 26-S6	NPT 3/4	60	104	45
R303 00 644		453.19 SNB 33-S6	NPT 1	60	104	45	

rtc TYPE 453

Male thread plug / Nippel mit Aussengewinde



Plug / Nippel	Size / Größe	Alternative Order No Alternative Bestellnr.	Order No / Bestellnr.	Ød	Ød1	L	L1	HEX.
	11	R255 00 157	453.11 PMF 17	BSP 3/8	17	63	11	24
		R255 00 158	453.11 PMF 21	BSP 1/2	17	64	12	24
		R255 00 159	453.11 PMF 26	BSP 3/4	17	69	15	30
		-	453.11 PTF 21	NPT 1/2	17	71	17	24
		-	453.11 PTF 26	NPT 3/4	17	72	19	27
		11	R355 00 135	453.11 PMF 17-S6	BSP 3/8	17	63	11
	R355 00 136		453.11 PMF 21-S6	BSP 1/2	17	64	12	24
	R355 00 137		453.11 PMF 26-S6	BSP 3/4	17	69	15	30
	R355 00 285		453.11 PTF 21-S6	NPT 1/2	17	71	17	24
	R355 00 340		453.11 PTF 26-S6	NPT 3/4	17	72	19	27
	19	R255 00 309	453.19 PMF 26	BSP 3/4	24	98	15	36
		R255 00 310	453.19 PMF 33	BSP 1	24	100	18	36
		-	453.19 PTF 26	NPT 3/4	24	101	19	36
		-	453.19 PTF 33	NPT 1	24	106	24	36
	19	R355 00 279	453.19 PMF 26-S6	BSP 3/4	24	98	15	36
		R355 00 280	453.19 PMF 33-S6	BSP 1	24	100	18	36
		R355 00 341	453.19 PTF 26-S6	NPT 3/4	24	101	19	36
		R355 00 342	453.19 PTF 33-S6	NPT 1	24	106	24	36



Standard hose tail plug / Nippel mit gerader Standard - Schlauchtülle

TYPE 453 **rtc**

Plug / Nippel	Size / Größe	Alternative Order No Alternative Bestellnr.	Order No / Bestellnr.	Ød	Ød1	L	L1
	11	R255 00 153	453.11 PHF 13	13 mm	17	83	37
		R255 00 154	453.11 PHF 16	16 mm	17	83	37
		R255 00 155	453.11 PHF 19	19 mm	17	83	37
	11	R355 00 131	453.11 PHF 10-S6	10 mm	17	83	37
		R355 00 132	453.11 PHF 13-S6	13 mm	17	83	37
		R355 00 133	453.11 PHF 16-S6	16 mm	17	83	37
		R355 00 134	453.11 PHF 19-S6	19 mm	17	83	37
	19	R255 00 311	453.19 PHF 19	19 mm	24	114	37
		R255 00 312	453.19 PHF 25	25 mm	24	120	43
	19	R355 00 281	453.19 PHF 19-S6	19 mm	24	114	37
		R355 00 282	453.19 PHF 25-S6	25 mm	24	120	43



Male thread plug with valve / Nippel mit Aussengewinde mit Ventil

TYPE 453 **rtc**

Plug / Nippel	Size / Größe	Alternative Order No Alternative Bestellnr.	Order No / Bestellnr.	Ød	Ød1	L	L1	HEX.
	11	-	453.11 PMB 17	BSP 3/8	17	95	12	30
		R253 00 008	453.11 PMB 21	BSP 1/2	17	96	13	30
	11	R353 00 327	453.11 PMB 17-S6	BSP 3/8	17	96	13	30
		R353 00 328	453.11 PMB 21-S6	BSP 1/2	17	96	13	30
		R353 00 329	453.11 PMB 26-S6	BSP 3/4	17	99	16	30
		R353 00 330	453.11 PTB 17-S6	NPT 3/8	17	96	13	30
		R353 00 331	453.11 PTB 21-S6	NPT 1/2	17	99	16	30



Female thread plug with valve / Nippel mit Innengewinde mit Ventil

TYPE 453 **rtc**

Plug / Nippel	Size / Größe	Alternative Order No Alternative Bestellnr.	Order No / Bestellnr.	Ød	Ød1	L	HEX.
	11	-	453.11 PFB 17	BSP 3/8	17	90	30
		R253 00 006	453.11 PFB 21	BSP 1/2	17	94	30
	11	R353 00 226	453.11 PFB 17-S6	BSP 3/8	17	90	30
		R353 00 015	453.11 PFB 21-S6	BSP 1/2	17	94	30
		R353 00 325	453.11 PNB 17-S6	NPT 3/8	17	90	30
		R353 00 326	453.11 PNB 21-S6	NPT 1/2	17	94	30



Standard hose tail plug with valve / Nippel mit gerader mit Ventil Standard - Schlauchtülle

TYPE 453 **rtc**

Plug / Nippel	Size / Größe	Alternative Order No Alternative Bestellnr.	Order No / Bestellnr.	Ød	Ød1	L	L1
	11	R253 00 009	453.11 PHB 13	13 mm	17	118	37
		R253 00 010	453.11 PHB 16	16 mm	17	118	37
		R253 00 011	453.11 PHB 19	19 mm	17	118	37
	11	R353 00 332	453.11 PHB 13-S6	13 mm	17	118	37
		R353 00 333	453.11 PHB 16-S6	16 mm	17	118	37
		R353 00 273	453.11 PHB 19-S6	19 mm	17	118	37
	19	R253 00 270	453.19 PHB 19	19 mm	24	160	37
		R253 00 269	453.19 PHB 25	25 mm	24	173	49
	19	R353 00 219	453.19 PHB 19-S6	19 mm	24	160	37
		R353 00 218	453.19 PHB 25-S6	25 mm	24	173	49



rtc[®]

COUPLING TECHNOLOGY



454

rtc TYPE





Temperature Range - Temperaturbereich

Nitrile (N)	-20°C + 110°C (-4°F + 230°F)
FPM (V)	-20°C + 180°C (-4°F + 356°F)
EPDM (Ethylene Propylene)	-40°C + 150°C (-40°F + 302°F)

Working Pressure - Betriebsdruck

25 Bar (360 PSI)

Connction/Disconnection Pressure - Druck bei Ein- und Auskuppeln

15 Bar (220 PSI)

Flow size - Nennweite

rtc type 454.11 11 mm

Standard version - Standardversion

Seals - Dichtung : Nitrile (N)

Material of steel version / Material für die Stahl Version

Socket Body - Kupplungsgrundkörper	Steel zinc-nickel plated
Back Part - Hinterteil	Stahl Zink-Nickel beschichtet
Sleeve - Hülse	Steel zinc-nickel plated and orange painted
Hülse	Stahl Zink-Nickel beschichtet und orange Lackiert
Springs - Federn	Stainless steel - Edelstahl
Seals - Dichtungen	Nitrile (N)

Plug - Nippel	Steel zinc-nickel plated
	Stahl Zink-Nickel beschichtet

Material of stainless steel version / Material für die Edelstahlversion

Socket Body - Kupplungsgrundkörper	Stainless steel
Back Part - Hinterteil	Edelstahl
Sleeve - Hülse	Stainless steel - Edelstahl
Springs - Federn	Stainless steel - Edelstahl
Seals - Dichtungen	FPM (V)

Plug - Nippel	Stainless steel - Edelstahl
---------------	-----------------------------

Advantages

- The system perfectly fits to the **ISO 4414, EN 983** safety requirements.
- 2 stage disconnection safety feature
- Suitable for Heavy Duty Applications
- Un-interchangeable serie

Vorteil

- Sicherheit gemäß **ISO 4414, EN 983**
- 2 stufen Sicherheitsentriegelung
- Geeignet für Heavy-Duty Anwendungen
- Un-interchangeable typ

Working Principle

- Connection

Push the plug in the right position into the coupling and turn until it is heard to "engage" by a click by one-hand

- Disconnection

The plug can only be released by pulling the sleeve backwards while the plug is turned 90° inside the coupling around its own axis.

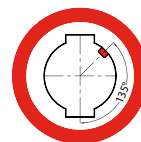
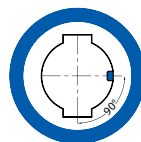
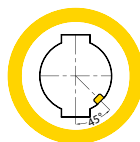
Arbeitsprinzip

- Einkuppeln

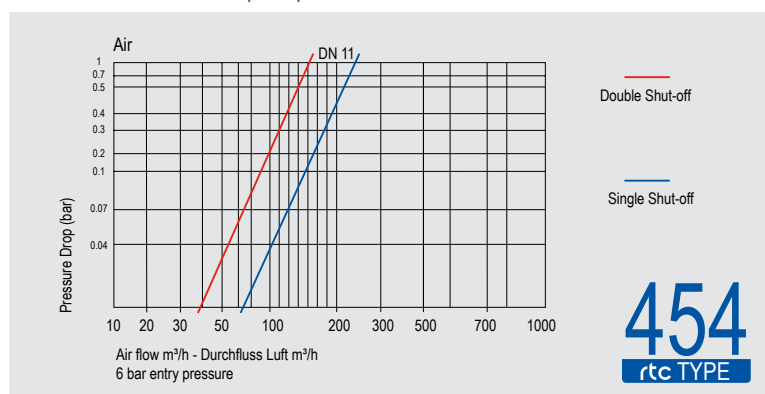
Der Nippel wird in der richtigen Position in die Kupplung eingedrückt und dabei um 90° gedreht. Das Einrasten ist hörbar.

- Entkuppeln

Zum Entkuppeln wird die Hülse zurück gezogen während der Nippel um die eigene Achse um 90° gedreht wird.



Flow Rate vs Pressure Drop Graph

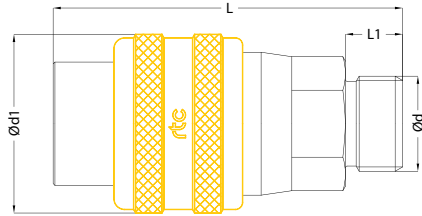


rtc TYPE 454.11

Male thread socket with 45° code / Kupplung mit Aussengewinde 45° Kodiert



Socket / Kupplung



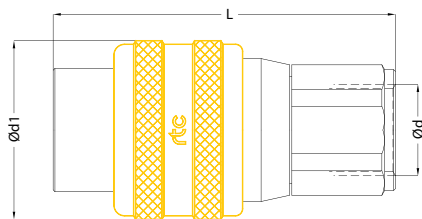
Size / Größe	Alternative Order No Alternative Bestellnr.	Order No / Bestellnr.	Ød	Ød1	L	L1	HEX.
11	-	454.11 SMB 17-K45	BSP 3/8	50	96	12	32
11	-	454.11 SMB 21-K45	BSP 1/2	50	100	13	32
11	-	454.11 SMB 26-K45	BSP 3/4	50	101	16	32
11	-	454.11 SMB 33-K45	BSP 1	50	106	18	34
11	-	454.11 STB 17-K45	NPT 3/8	50	96	12	32
11	-	454.11 STB 21-K45	NPT 1/2	50	101	16	32
11	R303 00 680	454.11 SMB 17-K45-S6	BSP 3/8	50	96	12	32
11	R303 00 681	454.11 SMB 21-K45-S6	BSP 1/2	50	100	13	32
11	R303 00 682	454.11 SMB 26-K45-S6	BSP 3/4	50	101	16	32
11	R303 00 683	454.11 SMB 33-K45-S6	BSP 1	50	106	18	34
11	R303 00 684	454.11 STB 17-K45-S6	NPT 3/8	50	96	12	32
11	R303 00 685	454.11 STB 21-K45-S6	NPT 1/2	50	101	16	32

rtc TYPE 454.11

Female thread socket with 45° code / Kupplung mit Innengewinde 45° Kodiert



Socket / Kupplung



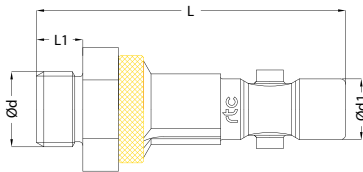
Size / Größe	Alternative Order No Alternative Bestellnr.	Order No / Bestellnr.	Ød	Ød1	L	HEX.
11	-	454.11 SFB 17-K45	BSP 3/8	50	90	32
11	R203 00 009	454.11 SFB 21-K45	BSP 1/2	50	92	32
11	R203 00 268	454.11 SFB 26-K45	BSP 3/4	50	98	34
11	-	454.11 SNB 21-K45	NPT 1/2	50	92	32
11	-	454.11 SNB 26-K45	NPT 3/4	50	98	34
11	R303 00 665	454.11 SFB 17-K45-S6	BSP 3/8	50	90	32
11	R303 00 666	454.11 SFB 21-K45-S6	BSP 1/2	50	92	32
11	R303 00 667	454.11 SFB 26-K45-S6	BSP 3/4	50	98	34
11	R303 00 668	454.11 SNB 21-K45-S6	NPT 1/2	50	92	32
11	R303 00 669	454.11 SNB 26-K45-S6	NPT 3/4	50	98	34

rtc TYPE 454.11

Male thread plug with 45° code without valve / Nippel mit Aussengewinde 45° Kodiert ohne Ventil



Plug / Nippel



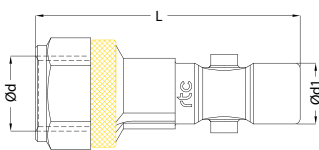
Size / Größe	Alternative Order No Alternative Bestellnr.	Order No / Bestellnr.	Ød	Ød1	L	L1	HEX.
11	-	454.11 PMF 21-K45	BSP 1/2	17	88	12	27
11	-	454.11 PMF 26-K45	BSP 3/4	17	92	16	30
11	-	454.11 PTF 21-K45	NPT 1/2	17	93	17	27
11	-	454.11 PMF 21-K45-S6	BSP 1/2	17	88	12	27
11	-	454.11 PMF 26-K45-S6	BSP 3/4	17	92	16	30
11	-	454.11 PTF 21-K45-S6	NPT 1/2	17	93	17	27

rtc TYPE 454.11

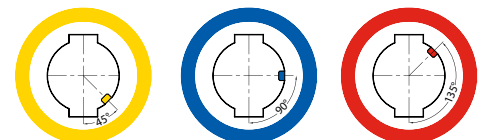
Female thread plug with 45° code without valve / Nippel mit Innengewinde 45° Kodiert ohne Ventil



Plug / Nippel



Size / Größe	Alternative Order No Alternative Bestellnr.	Order No / Bestellnr.	Ød	Ød1	L	HEX.
11	R255 00 160	454.11 PFF 21-K45	BSP 1/2	17	79	27
11	-	454.11 PNF 21-K45	NPT 1/2	17	79	27
11	R355 00 347	454.11 PFF 21-K45-S6	BSP 1/2	17	79	27
11	R355 00 357	454.11 PNF 21-K45-S6	NPT 1/2	17	79	27



45° coded Standart hose tail plug / Nippel mit 45° Kodiert - Schlauchanschluss TYPE 454.11 **rtc**

Plug / Nippel	Size / Größe	Alternative Order No Alternative Bestellnr.	Order No / Bestellnr.	Ød	Ød1	L	L1
	11	R255 00 166	454.11 PHF 13-K45	Ø13 - 1/2	17	104	37
	11	R255 00 169	454.11 PHF 16-K45	Ø16 - 5/8	17	104	37
	11	R255 00 172	454.11 PHF 19-K45	Ø19 - 3/4	17	104	37
	11	R355 00 349	454.11 PHF 13-K45-S6	Ø13 - 1/2	17	104	37
	11	-	454.11 PHF 16-K45-S6	Ø16 - 5/8	17	104	37
	11	R355 00 350	454.11 PHF 19-K45-S6	Ø19 - 3/4	17	104	37

Male thread plug with 45° code with valve / Nippel mit Aussengewinde 45° Kodiert mit Ventil TYPE 454.11 **rtc**

Plug / Nippel	Size / Größe	Alternative Order No Alternative Bestellnr.	Order No / Bestellnr.	Ød	Ød1	L	L1	HEX.
	11	-	454.11 PMB 21-K45	BSP 1/2	17	104	13	30
	11	-	454.11 PMB 26-K45	BSP 3/4	17	109	18	30
	11	-	454.11 PTB 21-K45	NPT 1/2	17	107	16	30
	11	R353 00 336	454.11 PMB 21-K45-S6	BSP 1/2	17	104	13	30
	11	R353 00 338	454.11 PMB 26-K45-S6	BSP 3/4	17	109	18	30
	11	R353 00 337	454.11 PTB 21-K45-S6	NPT 1/2	17	107	16	30

Female thread plug with 45° code with valve / Nippel mit Innengewinde 45° Kodiert mit Ventil TYPE 454.11 **rtc**

Plug / Nippel	Size / Größe	Alternative Order No Alternative Bestellnr.	Order No / Bestellnr.	Ød	Ød1	L	HEX.
	11	R253 00 267	454.11 PFB 21-K45	BSP 1/2	17	107	30
	11	-	454.11 PFB 26-K45	BSP 3/4	17	112	34
	11	-	454.11 PNB 21-K45	NPT 1/2	17	107	30
	11	-	454.11 PNB 26-K45	NPT 3/4	17	112	34
	11	R353 00 334	454.11 PFB 21-K45-S6	BSP 1/2	17	107	30
	11	R353 00 335	454.11 PFB 26-K45-S6	BSP 3/4	17	112	34
	11	-	454.11 PNB 21-K45-S6	NPT 1/2	17	107	30
	11	-	454.11 PNB 26-K45-S6	NPT 3/4	17	112	34

45° coded Standart hose tail plug with valve / Nippel mit 45° Kodiert - Schlauchanschluss mit Ventil TYPE 454.11 **rtc**

Plug / Nippel	Size / Größe	Alternative Order No Alternative Bestellnr.	Order No / Bestellnr.	Ød	L	L	L1
	11	R253 00 030	454.11 PHB 13-K45	Ø13 - 1/2	17	122	37
	11	-	454.11 PHB 16-K45	Ø16 - 5/8	17	122	37
	11	R253 00 054	454.11 PHB 19-K45	Ø19 - 3/4	17	122	37
	11	R353 00 339	454.11 PHB 13-K45-S6	Ø13 - 1/2	17	122	37
	11	-	454.11 PHB 16-K45-S6	Ø16 - 5/8	17	122	37
	11	R353 00 340	454.11 PHB 19-K45-S6	Ø19 - 3/4	17	122	37

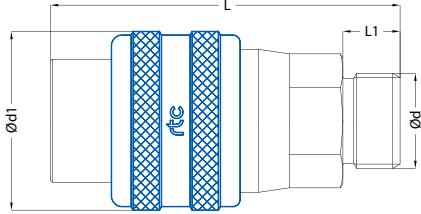
rtc TYPE 454.11

Male thread socket with 90° code / Kupplung mit Aussengewinde 90° Kодиert



Socket / Kupplung

Size / Größe	Alternative Order No Alternative Bestellnr.	Order No / Bestellnr.	Ød	Ød1	L	L1	HEX.
11	-	454.11 SMB 17-K90	BSP 3/8	50	96	12	32
11	-	454.11 SMB 21-K90	BSP 1/2	50	100	13	32
11	-	454.11 SMB 26-K90	BSP 3/4	50	101	16	32
11	-	454.11 SMB 33-K90	BSP 1	50	106	18	34
11	-	454.11 STB 17-K90	NPT 3/8	50	96	12	32
11	-	454.11 STB 21-K90	NPT 1/2	50	101	16	32
11	R303 00 686	454.11 SMB 17-K90-S6	BSP 3/8	50	96	12	32
11	R303 00 687	454.11 SMB 21-K90-S6	BSP 1/2	50	100	13	32
11	R303 00 688	454.11 SMB 26-K90-S6	BSP 3/4	50	101	16	32
11	R303 00 689	454.11 SMB 33-K90-S6	BSP 1	50	106	18	34
11	R303 00 690	454.11 STB 17-K90-S6	NPT 3/8	50	96	12	32
11	R303 00 691	454.11 STB 21-K90-S6	NPT 1/2	50	101	16	32



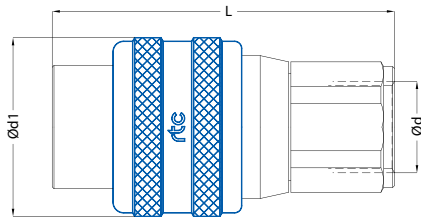
rtc TYPE 454.11

Female thread socket with 90° code / Kupplung mit Innengewinde 90° Kодиert



Socket / Kupplung

Size / Größe	Alternative Order No Alternative Bestellnr.	Order No / Bestellnr.	Ød	Ød1	L	HEX.
11	-	454.11 SFB 17-K90	BSP 3/8	50	90	32
11	R203 00 169	454.11 SFB 21-K90	BSP 1/2	50	92	32
11	R203 00 269	454.11 SFB 26-K90	BSP 3/4	50	98	34
11	-	454.11 SNB 21-K90	NPT 1/2	50	92	32
11	-	454.11 SNB 26-K90	NPT 3/4	50	98	34
11	R303 00 670	454.11 SFB 17-K90-S6	BSP 3/8	50	90	32
11	R303 00 671	454.11 SFB 21-K90-S6	BSP 1/2	50	92	32
11	R303 00 672	454.11 SFB 26-K90-S6	BSP 3/4	50	98	34
11	R303 00 673	454.11 SNB 21-K90-S6	NPT 1/2	50	92	32
11	R303 00 674	454.11 SNB 26-K90-S6	NPT 3/4	50	98	34



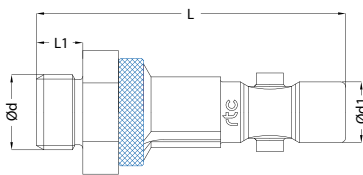
rtc TYPE 454.11

Male thread plug with 90° code without valve / Nippel mit Aussengewinde 90° Kодиert ohne Ventil



Plug / Nippel

Size / Größe	Alternative Order No Alternative Bestellnr.	Order No / Bestellnr.	Ød	Ød1	L	L1	HEX.
11	-	454.11 PMF 21-K90	BSP 1/2	17	88	12	27
11	-	454.11 PMF 26-K90	BSP 3/4	17	92	16	30
11	-	454.11 PTF 21-K90	NPT 1/2	17	93	17	27
11	-	454.11 PMF 21-K90-S6	BSP 1/2	17	88	12	27
11	-	454.11 PMF 26-K90-S6	BSP 3/4	17	92	16	30
11	-	454.11 PTF 21-K90-S6	NPT 1/2	17	93	17	27



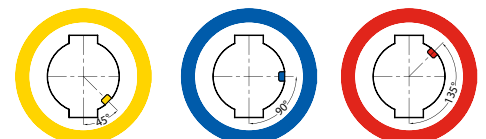
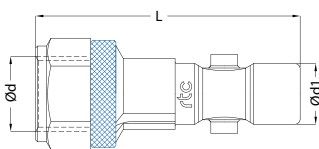
rtc TYPE 454.11

Female thread plug with 90° code without valve / Nippel mit Innengewinde 90° Kодиert ohne Ventil



Plug / Nippel

Size / Größe	Alternative Order No Alternative Bestellnr.	Order No / Bestellnr.	Ød	Ød1	L	HEX.
11	R255 00 161	454.11 PFF 21-K90	BSP 1/2	17	79	27
11	-	454.11 PNF 21-K90	NPT 1/2	17	79	27
11	R355 00 351	454.11 PFF 21-K90-S6	BSP 1/2	17	79	27
11	R355 00 352	454.11 PNF 21-K90-S6	NPT 1/2	17	79	27



90° coded Standart hose tail plug / Nippel mit 90° Kодиert - Schlauchanschluss TYPE 454.11 **rtc**

Plug / Nippel	Size / Größe	Alternative Order No Alternative Bestellnr.	Order No / Bestellnr.	Ød	Ød1	L	L1
	11	R255 00 167	454.11 PHF 13-K90	Ø13 - 1/2	17	104	37
	11	R255 00 170	454.11 PHF 16-K90	Ø16 - 5/8	17	104	37
	11	R255 00 173	454.11 PHF 19-K90	Ø19 - 3/4	17	104	37
	11	R355 00 353	454.11 PHF 13-K90-S6	Ø13 - 1/2	17	104	37
	11	-	454.11 PHF 16-K90-S6	Ø16 - 5/8	17	104	37
	11	R355 00 354	454.11 PHF 19-K90-S6	Ø19 - 3/4	17	104	37

Male thread plug with 90° code with valve / Nippel mit Aussengewinde 90° Kодиert mit Ventil TYPE 454.11 **rtc**

Plug / Nippel	Size / Größe	Alternative Order No Alternative Bestellnr.	Order No / Bestellnr.	Ød	Ød1	L	L1	HEX.
	11	-	454.11 PMB 21-K90	BSP 1/2	17	104	13	30
	11	-	454.11 PMB 26-K90	BSP 3/4	17	109	18	30
	11	-	454.11 PTB 21-K90	NPT 1/2	17	107	16	30
	11	R353 00 343	454.11 PMB 21-K90-S6	BSP 1/2	17	104	13	30
	11	R353 00 345	454.11 PMB 26-K90-S6	BSP 3/4	17	109	18	30
	11	R353 00 344	454.11 PTB 21-K90-S6	NPT 1/2	17	107	16	30

Female thread plug with 90° code with valve / Nippel mit Innengewinde 90° Kодиert mit Ventil TYPE 454.11 **rtc**

Plug / Nippel	Size / Größe	Alternative Order No Alternative Bestellnr.	Order No / Bestellnr.	Ød	Ød1	L	HEX.
	11	R253 00 268	454.11 PFB 21-K90	BSP 1/2	17	107	30
	11	-	454.11 PFB 26-K90	BSP 3/4	17	112	34
	11	-	454.11 PNB 21-K90	NPT 1/2	17	107	30
	11	-	454.11 PNB 26-K90	NPT 3/4	17	112	34
	11	R353 00 341	454.11 PFB 21-K90-S6	BSP 1/2	17	107	30
	11	R353 00 342	454.11 PFB 26-K90-S6	BSP 3/4	17	112	34
	11	-	454.11 PNB 21-K90-S6	NPT 1/2	17	107	30
	11	-	454.11 PNB 26-K90-S6	NPT 3/4	17	112	34

90° coded Standart hose tail plug with valve / Nippel mit 90° Kодиert - Schlauchanschluss mit Ventil TYPE 454.11 **rtc**

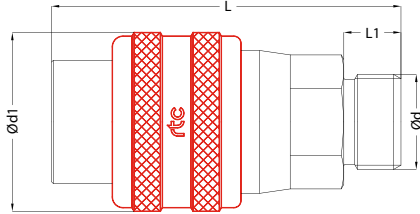
Plug / Nippel	Size / Größe	Alternative Order No Alternative Bestellnr.	Order No / Bestellnr.	Ød	L	L	L1
	11	R253 00 038	454.11 PHB 13-K90	Ø13 - 1/2	17	122	37
	11	-	454.11 PHB 16-K90	Ø16 - 5/8	17	122	37
	11	R253 00 056	454.11 PHB 19-K90	Ø19 - 3/4	17	122	37
	11	R353 00 346	454.11 PHB 13-K90-S6	Ø13 - 1/2	17	122	37
	11	-	454.11 PHB 16-K90-S6	Ø16 - 5/8	17	122	37
	11	R353 00 347	454.11 PHB 19-K90-S6	Ø19 - 3/4	17	122	37

rtc TYPE 454.11

Male thread socket with 135° code / Kupplung mit Aussengewinde 135° Kodiert



Socket / Kupplung



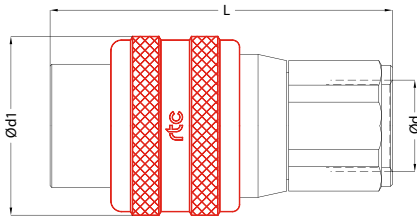
Size / Größe	Alternative Order No / Alternative Bestellnr.	Order No / Bestellnr.	Ød	Ød1	L	L1	HEX.
11	-	454.11 SMB 17-K135	BSP 3/8	50	96	12	32
11	-	454.11 SMB 21-K135	BSP 1/2	50	100	13	32
11	-	454.11 SMB 26-K135	BSP 3/4	50	101	16	32
11	-	454.11 SMB 33-K135	BSP 1	50	106	18	34
11	-	454.11 STB 17-K135	NPT 3/8	50	96	12	32
11	-	454.11 STB 21-K135	NPT 1/2	50	101	16	32
11	R303 00 692	454.11 SMB 17-K135-S6	BSP 3/8	50	96	12	32
11	R303 00 693	454.11 SMB 21-K135-S6	BSP 1/2	50	100	13	32
11	R303 00 694	454.11 SMB 26-K135-S6	BSP 3/4	50	101	16	32
11	R303 00 695	454.11 SMB 33-K135-S6	BSP 1	50	106	18	34
11	R303 00 696	454.11 STB 17-K135-S6	NPT 3/8	50	96	12	32
11	R303 00 697	454.11 STB 21-K135-S6	NPT 1/2	50	101	16	32

rtc TYPE 454.11

Female thread socket with 135° code / Kupplung mit Innengewinde 135° Kodiert



Socket / Kupplung



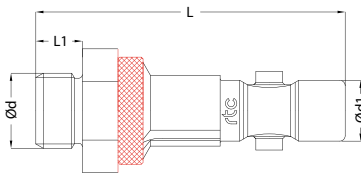
Size / Größe	Alternative Order No / Alternative Bestellnr.	Order No / Bestellnr.	Ød	Ød1	L	HEX.
11	-	454.11 SFB 17-K135	BSP 3/8	50	90	32
11	R203 00 168	454.11 SFB 21-K135	BSP 1/2	50	92	32
11	R203 00 171	454.11 SFB 26-K135	BSP 3/4	50	98	34
11	-	454.11 SNB 21-K135	NPT 1/2	50	92	32
11	-	454.11 SNB 26-K135	NPT 3/4	50	98	34
11	R303 00 675	454.11 SFB 17-K135-S6	BSP 3/8	50	90	32
11	R303 00 676	454.11 SFB 21-K135-S6	BSP 1/2	50	92	32
11	R303 00 677	454.11 SFB 26-K135-S6	BSP 3/4	50	98	34
11	R303 00 678	454.11 SNB 21-K135-S6	NPT 1/2	50	92	32
11	R303 00 679	454.11 SNB 26-K135-S6	NPT 3/4	50	98	34

rtc TYPE 454.11

Male thread plug with 135° code without valve / Nippel mit Aussengewinde 135° Kodiert ohne Ventil



Plug / Nippel



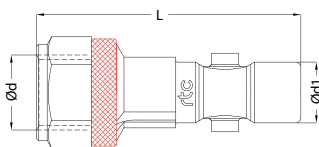
Size / Größe	Alternative Order No / Alternative Bestellnr.	Order No / Bestellnr.	Ød	Ød1	L	L1	HEX.
11	-	454.11 PMF 21-K135	BSP 1/2	17	88	12	27
11	-	454.11 PMF 26-K135	BSP 3/4	17	92	16	30
11	-	454.11 PTF 21-K135	NPT 1/2	17	93	17	27
11	-	454.11 PMF 21-K135-S6	BSP 1/2	17	88	12	27
11	-	454.11 PMF 26-K135-S6	BSP 3/4	17	92	16	30
11	-	454.11 PTF 21-K135-S6	NPT 1/2	17	93	17	27

rtc TYPE 454.11

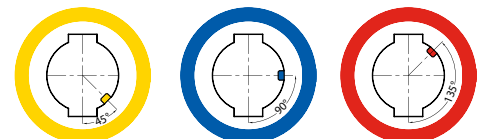
Female thread plug with 135° code without valve / Nippel mit Innengewinde 135° Kodiert ohne Ventil



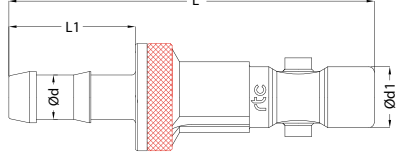
Plug / Nippel



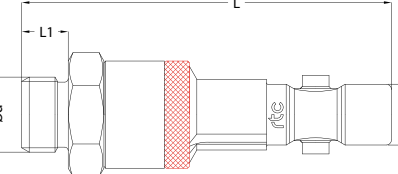
Size / Größe	Alternative Order No / Alternative Bestellnr.	Order No / Bestellnr.	Ød	Ød1	L	HEX.
11	R255 00 162	454.11 PFF 21-K135	BSP 1/2	17	79	27
11	-	454.11 PNF 21-K135	NPT 1/2	17	79	27
11	-	454.11 PFF 21-K135-S6	BSP 1/2	17	79	27
11	R355 00 356	454.11 PNF 21-K135-S6	NPT 1/2	17	79	27



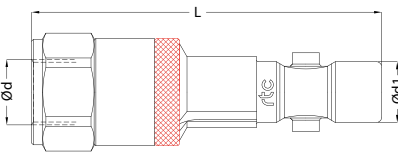
135° coded Standart hose tail plug / Nippel mit 135° Kодиert - Schlauchanschluss TYPE 454.11 

Plug / Nippel	Size / Größe	Alternative Order No Alternative Bestellnr.	Order No / Bestellnr.	Ød	Ød1	L	L1
	11	R255 00 172	454.11 PHF 13-K135	Ø13 - 1/2	17	104	37
	11	R255 00 173	454.11 PHF 16-K135	Ø16 - 5/8	17	104	37
	11	R255 00 174	454.11 PHF 19-K135	Ø19 - 3/4	17	104	37
	11	R355 00 357	454.11 PHF 13-K135-S6	Ø13 - 1/2	17	104	37
	11	-	454.11 PHF 16-K135-S6	Ø16 - 5/8	17	104	37
	11	R355 00 358	454.11 PHF 19-K135-S6	Ø19 - 3/4	17	104	37

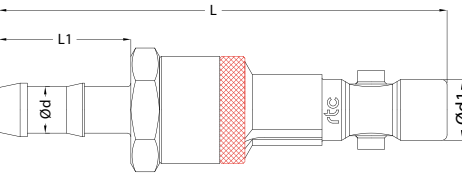
Male thread plug with 135° code with valve / Nippel mit Aussengewinde 135° Kодиert mit Ventil TYPE 454.11 

Plug / Nippel	Size / Größe	Alternative Order No Alternative Bestellnr.	Order No / Bestellnr.	Ød	Ød1	L	L1	HEX.
	11	-	454.11 PMB 21-K135	BSP 1/2	17	104	13	30
	11	-	454.11 PMB 26-K135	BSP 3/4	17	109	18	30
	11	-	454.11 PTB 21-K135	NPT 1/2	17	107	16	30
	11	R353 00 350	454.11 PMB 21-K135-S6	BSP 1/2	17	104	13	30
	11	R353 00 351	454.11 PMB 26-K135-S6	BSP 3/4	17	109	18	30
	11	R353 00 352	454.11 PTB 21-K135-S6	NPT 1/2	17	107	16	30

Female thread plug with 135° code with valve / Nippel mit Innengewinde 135° Kодиert mit Ventil TYPE 454.11 

Plug / Nippel	Size / Größe	Alternative Order No Alternative Bestellnr.	Order No / Bestellnr.	Ød	Ød1	L	HEX.
	11	R253 00 044	454.11 PFB 21-K135	BSP 1/2	17	107	30
	11	-	454.11 PFB 26-K135	BSP 3/4	17	112	34
	11	-	454.11 PNB 21-K135	NPT 1/2	17	107	30
	11	-	454.11 PNB 26-K135	NPT 3/4	17	112	34
	11	R353 00 348	454.11 PFB 21-K135-S6	BSP 1/2	17	107	30
	11	R353 00 349	454.11 PFB 26-K135-S6	BSP 3/4	17	112	34
	11	-	454.11 PNB 21-K135-S6	NPT 1/2	17	107	30
	11	-	454.11 PNB 26-K135-S6	NPT 3/4	17	112	34

135° coded Standart hose tail plug with valve / Nippel mit 135° Kодиert - Schlauchanschluss mit Ventil TYPE 454.11 

Plug / Nippel	Size / Größe	Alternative Order No Alternative Bestellnr.	Order No / Bestellnr.	Ød	L	L	L1
	11	R253 00 038	454.11 PHB 13-K135	Ø13 - 1/2	17	122	37
	11	-	454.11 PHB 16-K135	Ø16 - 5/8	17	122	37
	11	R253 00 056	454.11 PHB 19-K135	Ø19 - 3/4	17	122	37
	11	R353 00 353	454.11 PHB 13-K135-S6	Ø13 - 1/2	17	122	37
	11	-	454.11 PHB 16-K135-S6	Ø16 - 5/8	17	122	37
	11	R353 00 354	454.11 PHB 19-K135-S6	Ø19 - 3/4	17	122	37



rtc[®]

COUPLING TECHNOLOGY



SC

rtc TYPE



Temperature Range - Temperaturbereich

Nitrile (N)	-20°C + 110°C (-4°F +230°F)
FPM (V)	-20°C + 180°C (-4°F +356°F)
EPDM (Ethylene Propylene)	-40°C + 150°C (-40°F +302°F)

Working Pressure - Betriebsdruck

25 Bar (360 PSI)

Connction/Disconnection Max. Pressure -

Ein und Auskuppelbar bis Max. Druck

15 Bar (220 PSI)

Advantages

- The system perfectly fits to the **ISO 4414 & EN 983** safety requirements.
- Through flow, minimum pressure loss.
- Negligible Connecting Force
- Smart and Ergonomic features
- Ease of Handling
- Optimised Size

Vorteil

- Sicherheit gemäß **ISO 4414 & EN 983**
- Voller Durchgang, sehr geringer Druckverlust
- Einfache Bedienung, sehr geringe Kuppelkraft
- Kompakte Bauform

Simple and quick connection with no force and pressure drop

Connection: Push suitable plug into coupling and swing approximately 90° until the orange sleeve engages in the groove.

Disconnection: Pull back orange sleeve and swing plug to stop. Remove plug from coupling.

In order to prevent the hose from ejecting dangerously, the plug must be held in the hand until the hose is completely ventilated.

Einfach und schnell verbinden mit sehr geringem Kraufaufwand und Druckverlust

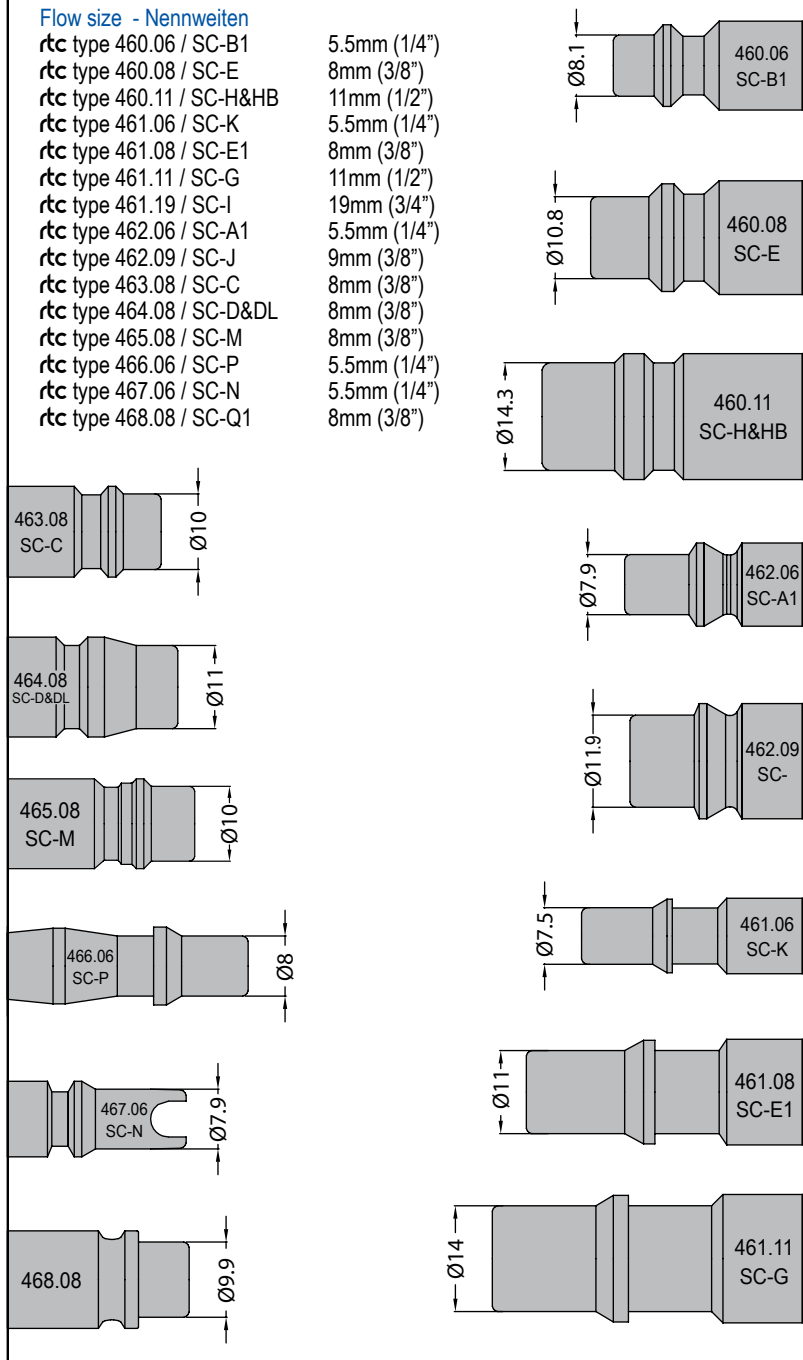
Verbinden: Nippel in die Kupplung einstecken und 90° schwenken, bis die orangene Hülse in die Nut einrastet.

Trennen: Orangene Hülse zurückziehen und den Nippel 90° schwenken. Nippel aus der Kupplung entnehmen.

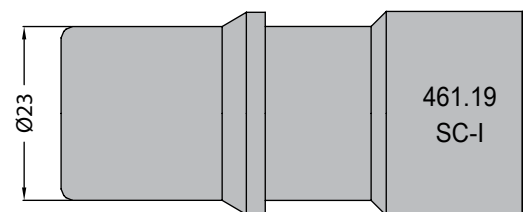
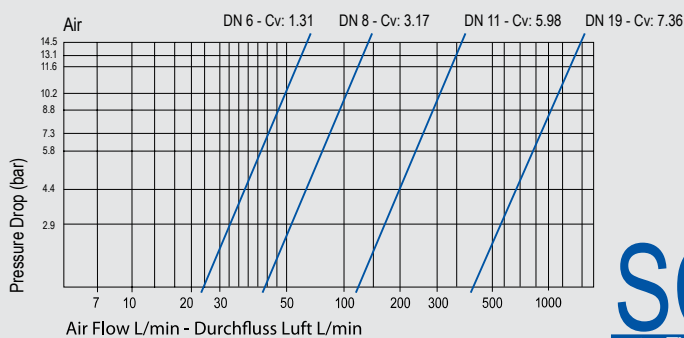
Um ein gefährliches Rückschlagen des Schlauches zu vermeiden, muss der Nippel so lange in der Hand gehalten werden, bis der Druckluftschlauch vollständig entlüftet ist.

Flow size - Nennweiten

rtc type 460.06 / SC-B1	5.5mm (1/4")
rtc type 460.08 / SC-E	8mm (3/8")
rtc type 460.11 / SC-H&HB	11mm (1/2")
rtc type 461.06 / SC-K	5.5mm (1/4")
rtc type 461.08 / SC-E1	8mm (3/8")
rtc type 461.11 / SC-G	11mm (1/2")
rtc type 461.19 / SC-I	19mm (3/4")
rtc type 462.06 / SC-A1	5.5mm (1/4")
rtc type 462.09 / SC-J	9mm (3/8")
rtc type 463.08 / SC-C	8mm (3/8")
rtc type 464.08 / SC-D&DL	8mm (3/8")
rtc type 465.08 / SC-M	8mm (3/8")
rtc type 466.06 / SC-P	5.5mm (1/4")
rtc type 467.06 / SC-N	5.5mm (1/4")
rtc type 468.08 / SC-Q1	8mm (3/8")



Flow Rate vs Pressure Drop Graph



Plug form 1:1
Abbildung 1:1



rtc[®]

COUPLING TECHNOLOGY



460.06

rtc TYPE





Compatible - Kompatibilität

Ind. Interchange	1/4
rtc	023
Cejn	310
Parker	B23
Rectus	23
Foster	3003
AMFLO	C208
Hansen	1000

Temperature Range - Temperaturbereich

Nitrile (N)	-20°C + 110°C (-4°F + 230°F)
FPM (V)	-20°C + 180°C (-4°F + 356°F)
EPDM (Ethylene Propylene)	-40°C + 150°C (-40°F + 302°F)

Working Pressure - Betriebsdruck

25 Bar (360 PSI)

Connction / Disconnection Max. Pressure -

Ein- und Auskuppelbar bis Max. Druck
15 Bar (220 PSI)

Flow size - Nennweite

rtc type 460.06 5.5mm (1/4")

Standard version - Standardversion

Seals - Dichtung : Nitrile (N)

Material of Standard Coupler / Material für die Standardversion

Body / Housing - Kupplungsgrundkörper/Gehäuse	Steel tenifer threated Stahl teneferiert
Inner Part / Cylinder -	Surface hardened steel Zinc-nickel plated
Innenteil / Zylinder	Stahl gehärtet, Zink-Nickel beschichtet
Back Part - Hinterteil	Steel zinc plated - Stahl verzinkt
Sleeve -	Zinc diecasted, nickel plated & orange plastic coated
Hülse	Zink-Druckguss, vernickelt und orange Gummi beschichtet
Springs - Federn	Stainless steel - Edelstahl
Seals - Dichtungen	Nitrile (N)
Plug -	Surface hardened steel, galvanized
Nippel	Stahl gehärtet, verzinkt

Advantages

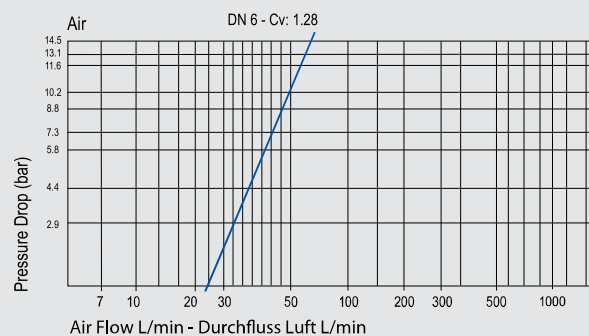
- The system perfectly fits to the **ISO 4414, EN 983** safety requirements.
- Plug profile perfectly fits to the **ISO 6150-B-12, AFNOR B-12 NF E 49-053, US MIL C-4109**
- Through flow, minimum pressure loss.
- Negligible Connecting Force
- Smart and Ergonomic features
- Ease of Handling
- Optimised Size

Vorteil

- Sicherheit gemäß **ISO 4414, EN 983**
- Stecknippel gemäß **ISO 6150-B-12, AFNOR B-12 NF E 49-053, US MIL C-4109**
- Voller Durchgang, sehr geringer Druckverlust
- Einfache Bedienung, sehr geringe Kuppelkraft
- Kompakte Bauform



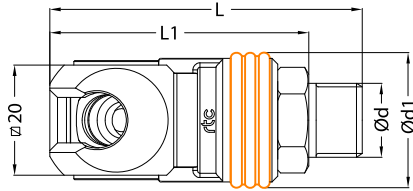
Flow Rate vs Pressure Drop Graph



460.06
rtc TYPE

rtc TYPE 460.06 Male thread socket / Kupplung mit Aussengewinde 

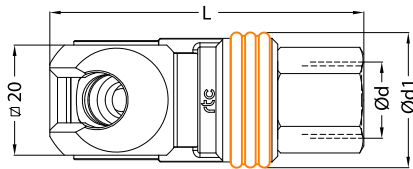
Socket / Kupplung



Size / Größe	Alternative Order No Alternative Bestellnr.	Order No / Bestellnr.	Ød	Ød1	L	L1	HEX.
6	R205 00 314	460.06 SMO 13	BSP 1/4	25	59.5	48.5	19
6	R205 00 315	460.06 SMO 17	BSP 3/8	25	59.5	48.5	19
6	R205 00 316	460.06 SMO 21	BSP 1/2	25	61.5	49.5	22
6	R205 00 317	460.06 STO 13	NPT 1/4	25	60.5	48.5	19
6	R205 00 318	460.06 STO 17	NPT 3/8	25	62.5	48.5	19
6	R205 00 319	460.06 STO 21	NPT 1/2	25	68.5	49.5	22

rtc TYPE 460.06 Female thread socket / Kupplung mit Innengewinde 

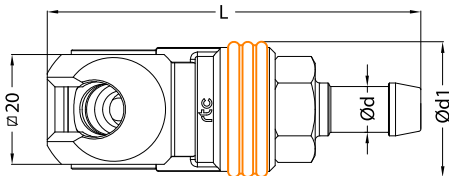
Socket / Kupplung



Size / Größe	Alternative Order No Alternative Bestellnr.	Order No / Bestellnr.	Ød	Ød1	L	L1	HEX.
6	R205 00 307	460.06 SFO 13	BSP 1/4	25	56.5	-	19
6	R205 00 308	460.06 SFO 17	BSP 3/8	25	58.5	-	19
6	R205 00 309	460.06 SFO 21	BSP 1/2	25	60.5	-	24
6	R205 00 310	460.06 SNO 10	NPT 1/8	25	55.5	-	19
6	R205 00 311	460.06 SNO 13	NPT 1/4	25	57.5	-	19
6	R205 00 312	460.06 SNO 17	NPT 3/8	25	59.5	-	20
6	R205 00 313	460.06 SNO 21	NPT 1/2	25	65.5	-	24

rtc TYPE 460.06 Socket with hose barb / Kupplung mit Schlauchanschluss 

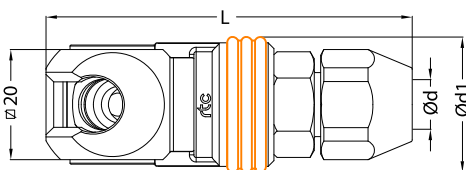
Socket / Kupplung



Size / Größe	Alternative Order No Alternative Bestellnr.	Order No / Bestellnr.	Ød	Ød1	L	L1	HEX.
6	R205 00 320	460.06 SHO 06	Ø6 - 1/4	25	69	-	-
6	R205 00 321	460.06 SHO 08	Ø8 - 5/16	25	69	-	-
6	R205 00 322	460.06 SHO 10	Ø10 - 3/8	25	69	-	-
6	R205 00 323	460.06 SHO 13	Ø13 - 1/2	25	69	-	-

rtc TYPE 460.06 Socket with plastic hose connection / Kupplung mit Kunststoffschlauchanschluss 

Socket / Kupplung



Size / Größe	Alternative Order No Alternative Bestellnr.	Order No / Bestellnr.	Ød	Ød1	L	L1	HEX.
6	R205 00 324	460.06 SVO 0610	6.5x10	25	70	-	22
6	R205 00 325	460.06 SVO 0812	8x12	25	70	-	22

Plug with male thread / Nippel mit Aussengewinde TYPE 460.06 **rtc**

Plug / Nippel	Size / Größe	Alternative Order No Alternative Bestellnr.	Order No / Bestellnr.	Ød	Ød1	L	L1	HEX.
	6	R255 00 011	460.06 PMF 10	BSP 1/8	-	38	30	14
	6	R255 00 012	460.06 PMF 13	BSP 1/4	-	42	31	14
	6	-	460.06 PMF 17	BSP 3/8	-	43.5	32.5	19
	6	R255 00 013	460.06 PTF 10	NPT 1/8	-	41	32	14
	6	R255 00 014	460.06 PTF 13	NPT 1/4	-	44	32	14
	6	R255 00 069	460.06 PTF 17	NPT 3/8	-	47	35	19

Plug with female thread / Nippel mit Innengewinde TYPE 460.06 **rtc**

Plug / Nippel	Size / Größe	Alternative Order No Alternative Bestellnr.	Order No / Bestellnr.	Ød	Ød1	L	L1	HEX.
	6	R255 00 015	460.06 PFF 10	BSP 1/8	-	42	-	14
	6	R255 00 016	460.06 PFF 13	BSP 1/4	-	42.5	-	17
	6	-	460.06 PFF 17	BSP 3/8	-	43.5	-	19
	6	R255 00 017	460.06 PNF 10	NPT 1/8	-	39	-	14
	6	R255 00 018	460.06 PNF 13	NPT 1/4	-	43	-	17
	6	R255 00 274	460.06 PNF 17	NPT 3/8	-	44	-	19

Plug with hose barb / Nippel mit Schlauchanschluss TYPE 460.06 **rtc**

Plug / Nippel	Size / Größe	Alternative Order No Alternative Bestellnr.	Order No / Bestellnr.	Ød	Ød1	L	L1	HEX.
	6	R255 00 019	460.06 PHF 06	Ø6 - 1/4	14	51	-	-
	6	R255 00 020	460.06 PHF 08	Ø8 - 5/16	14	51	-	-
	6	R255 00 021	460.06 PHF 10	Ø10 - 3/8	14	51	-	-

Plug with plastic hose connection / Nippel mit Kunststoffschlauchanschluss TYPE 460.06 **rtc**

Plug / Nippel	Size / Größe	Alternative Order No Alternative Bestellnr.	Order No / Bestellnr.	Ød	Ød1	L	L1	HEX.
	6	-	460.06 PVF 0610	6.5x10	-	54	-	22
	6	R255 00 413	460.06 PVF 0812	8x12	-	54	-	22



rtc[®]

COUPLING TECHNOLOGY



460.08

rtc TYPE





Compatible - Kompatibilität

Ind. Interchange	3/8
rtc	030
Cejn	430
Parker	25F
Rectus	30
Foster	4404
AMFLO	C26
Hansen	440

Temperature Range - Temperaturbereich

Nitrile (N)	-20°C + 110°C (- 4°F + 230°F)
FPM (V)	-20°C + 180°C (- 4°F + 356°F)
EPDM (Ethylene Propylene)	-40°C + 150°C (- 40°F + 302°F)

Working Pressure - Betriebsdruck

25 Bar (360 PSI)

Connction / Disconnection Max. Pressure -

Ein- und Auskuppelbar bis Max. Druck
15 Bar (220 PSI)

Flow size - Nennweite

rtc type 460.08 8mm (3/8")

Standard version - Standardversion

Seals - Dichtung : Nitrile (N)

Material of Standard Coupler / Material für die Standardversion

Body / Housing - Kupplungsgrundkörper/Gehäuse	Steel tenifer threated Stahl teneferiert
Inner Part / Cylinder - Innenteil / Zylinder	Surface hardened steel Zinc-nickel plated Stahl gehärtet, Zink-Nickel beschichtet
Back Part - Hinterteil Sleeve -	Steel zinc plated - Stahl verzinkt Zinc diecasted, nickel plated & orange plastic coated
Hülse	Zink-Druckguss, vernickelt und orange Gummi beschichtet
Springs - Federn	Stainless steel - Edelstahl
Seals - Dichtungen	Nitrile (N)
Plug - Nippel	Surface hardened steel, galvanized Stahl gehärtet, verzinkt

Advantages

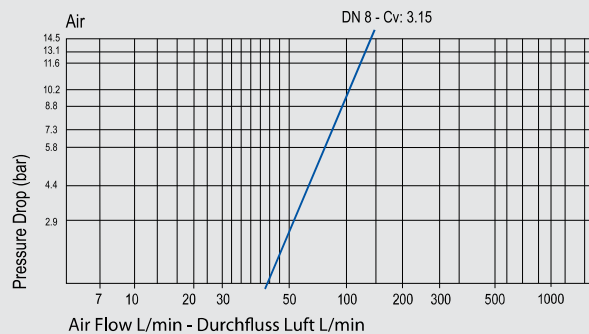
- The system perfectly fits to the **ISO 4414, EN 983** safety requirements.
- Plug profile perfectly fits to the **ISO 6150-B-15, AFNOR B-15 NF E 49-053, US MIL C-4109**
- Through flow, minimum pressure loss.
- Negligible Connecting Force
- Smart and Ergonomic features
- Ease of Handling
- Optimised Size

Vorteil

- Sicherheit gemäß **ISO 4414, EN 983**
- Stecknippel gemäß **ISO 6150-B-15, AFNOR B-15 NF E 49-053, US MIL C-4109**
- Voller Durchgang, sehr geringer Druckverlust
- Einfache Bedienung, sehr geringe Kuppelkraft
- Kompakte Bauform



Flow Rate vs Pressure Drop Graph



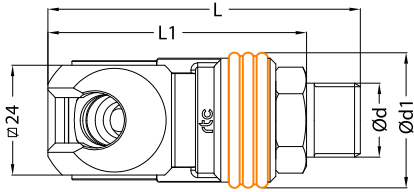
460.08
rtc TYPE

rtc TYPE 460.08

Male thread socket / Kupplung mit Aussengewinde



Socket / Kupplung



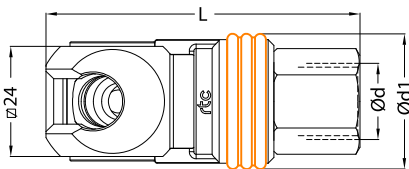
Size / Größe	Alternative Order No Alternative Bestellnr.	Order No / Bestellnr.	Ød	Ød1	L	L1	HEX.
8	R205 00 028	460.08 SMO 13	BSP 1/4	30	68.5	57.5	20
8	R205 00 029	460.08 SMO 17	BSP 3/8	30	68.5	57.5	20
8	R205 00 045	460.08 SMO 21	BSP 1/2	30	70.5	58.5	22
8	R205 00 214	460.08 STO 13	NPT 1/4	30	69.5	57.5	20
8	R205 00 030	460.08 STO 17	NPT 3/8	30	70.5	56.5	20
8	R205 00 031	460.08 STO 21	NPT 1/2	30	77.5	58.5	22
8	R205 00 039	460.08 SRO 13	BSPT 1/4	30	69.5	57.5	20
8	R205 00 040	460.08 SRO 17	BSPT 3/8	30	70.5	56.5	20
8	R205 00 041	460.08 SRO 21	BSPT 1/2	30	77.5	58.5	22

rtc TYPE 460.08

Female thread socket / Kupplung mit Innengewinde



Socket / Kupplung



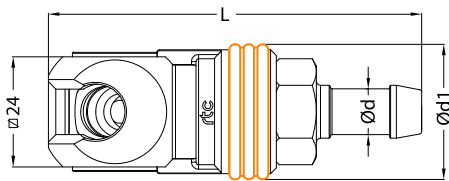
Size / Größe	Alternative Order No Alternative Bestellnr.	Order No / Bestellnr.	Ød	Ød1	L	L1	HEX.
8	R205 00 023	460.08 SFO 13	BSP 1/4	30	68.5	-	20
8	R205 00 024	460.08 SFO 17	BSP 3/8	30	68.5	-	20
8	R205 00 025	460.08 SFO 21	BSP 1/2	30	69.5	-	24
8	R205 00 052	460.08 SNO 13	NPT 1/4	30	68.5	-	20
8	R205 00 026	460.08 SNO 17	NPT 3/8	30	68.5	-	20
8	R205 00 027	460.08 SNO 21	NPT 1/2	30	69.5	-	24
8	R205 00 046	460.08 SQO 13	BSPT 1/4	30	68.5	-	20
8	R205 00 047	460.08 SQO 17	BSPT 3/8	30	68.5	-	20
8	R205 00 048	460.08 SQO 21	BSPT 1/2	30	69.5	-	24

rtc TYPE 460.08

Socket with hose barb / Kupplung mit Schlauchanschluss



Socket / Kupplung



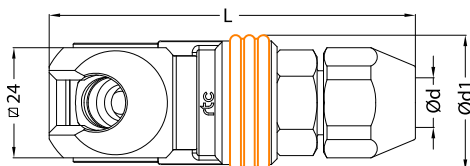
Size / Größe	Alternative Order No Alternative Bestellnr.	Order No / Bestellnr.	Ød	Ød1	L	L1	HEX.
8	R205 00 083	460.08 SHO 08	Ø8 - 5/16	30	82	-	-
8	R205 00 084	460.08 SHO 10	Ø10 - 3/8	30	82	-	-
8	R205 00 085	460.08 SHO 13	Ø13 - 1/2	30	82	-	-

rtc TYPE 460.08

Socket with plastic hose connection / Kupplung mit Kunststoffschlauchanschluss

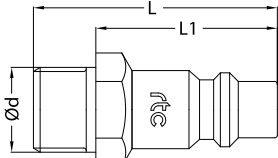


Socket / Kupplung



Size / Größe	Alternative Order No Alternative Bestellnr.	Order No / Bestellnr.	Ød	Ød1	L	L1	HEX.
8	R205 00 086	460.08 SVO 0610	6.5x10	30	69	-	22
8	R205 00 087	460.08 SVO 0812	8x12	30	69	-	22
8	R205 00 088	460.08 SVO 1116	11x16	30	75	-	27

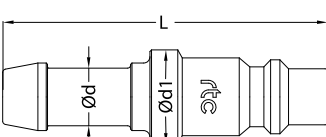
Plug with male thread / Nippel mit Aussengewinde TYPE 460.08 

Plug / Nippel	Size / Größe	Alternative Order No Alternative Bestellnr.	Order No / Bestellnr.	Ød	Ød1	L	L1	HEX.
	8	R255 00 041	460.08 PMF 13	BSP 1/4	-	46	35	17
	8	R255 00 042	460.08 PMF 17	BSP 3/8	-	46	35	19
	8	-	460.08 PMF 21	BSP 1/2	-	53	38	22
	8	R255 00 236	460.08 PTF 13	NPT 1/4	-	47	35	17
	8	R255 00 044	460.08 PTF 17	NPT 3/8	-	47	35	19
	8	R255 00 045	460.08 PTF 21	NPT 1/2	-	55	38	22

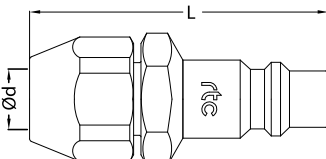
Plug with female thread / Nippel mit Innengewinde TYPE 460.08 

Plug / Nippel	Size / Größe	Alternative Order No Alternative Bestellnr.	Order No / Bestellnr.	Ød	Ød1	L	L1	HEX.
	8	R255 00 046	460.08 PFF 13	BSP 1/4	-	42	-	17
	8	R255 00 047	460.08 PFF 17	BSP 3/8	-	46.5	-	19
	8	R255 00 048	460.08 PFF 21	BSP 1/2	-	50	-	24
	8	R255 00 237	460.08 PNF 13	NPT 1/4	-	42	-	17
	8	R255 00 049	460.08 PNF 17	NPT 3/8	-	46.5	-	22
	8	R255 00 050	460.08 PNF 21	NPT 1/2	-	51	-	27

Plug with hose barb / Nippel mit Schlauchanschluss TYPE 460.08 

Plug / Nippel	Size / Größe	Alternative Order No Alternative Bestellnr.	Order No / Bestellnr.	Ød	Ød1	L	L1	HEX.
	8	R255 00 051	460.08 PHF 08	Ø8 - 5/16	16	54	-	-
	8	R255 00 052	460.08 PHF 10	Ø10 - 3/8	16	54	-	-
	8	R255 00 053	460.08 PHF 13	Ø13 - 1/2	16	54	-	-
	8	R255 00 054	460.08 PHF 16	Ø16 - 5/8	18	54	-	-

Plug with plastic hose connection / Nippel mit Kunststoffschlauchanschluss TYPE 460.08 

Plug / Nippel	Size / Größe	Alternative Order No Alternative Bestellnr.	Order No / Bestellnr.	Ød	Ød1	L	L1	HEX.
	8	-	460.08 PVF 0610	6.5x10		57		22
	8	R255 00 415	460.08 PVF 0812	8x12		57		22
	8	-	460.08 PVF 1116	11x16		65		27



rtc[®]

COUPLING TECHNOLOGY



460.11

rtc TYPE



Compatible - Kompatibilität

Ind. Interchange	1/2
rtc	037
Cejn	550
Parker	17
Rectus	37
Foster	5205
AMFLO	C10
Hansen	520

Temperature Range - Temperaturbereich

Nitrile (N)	-20°C + 110°C (-4°F + 230°F)
FPM (V)	-20°C + 180°C (-4°F + 356°F)
EPDM (Ethylene Propylene)	-40°C + 150°C (-40°F + 302°F)

Working Pressure - Betriebsdruck

25 Bar (360 PSI)

Connction / Disconnection Max. Pressure -

Ein- und Auskuppelbar bis Max. Druck
15 Bar (220 PSI)

Flow size - Nennweite

rtc type 460.11 11mm (1/2")

Standard version - Standardversion

Seals - Dichtung : Nitrile (N)

Material of Standard Coupler (steel)

Material für die Standardversion (Stahl)

Body / Housing - Kupplungsgrundkörper/Gehäuse	Steel tenifer threaded Stahl Ttneferiert
Inner Part / Cylinder - Innenteil / Zylinder	Surface hardened steel Zinc-nickel plated Stahl gehärtet, Zink-Nickel beschichtet
Back Part - Hinterteil Sleeve -	Steel zinc plated - Stahl verzinkt Steel zinc nickel plated & orange painted
Hülse	Stahl Zink-Nickel beschichtet und orange lackiert
Springs - Federn Seals - Dichtungen	Stainless steel - Edelstahl Nitrile (N)
Plug - Nippel	Surface hardened steel, galvanized Stahl gehärtet, verzinkt

Advantages

- The system perfectly fits to the **ISO 4414, EN 983** safety requirements.
- Plug profile perfectly fits to the **ISO 6150-C-17, AFNOR C-17 NF E 49-053, US MIL C-4109**
- Through flow, minimum pressure loss.
- Negligible Connecting Force
- Smart and Ergonomic features
- Ease of Handling
- Optimised Size

Vorteil

- Sicherheit gemäß **ISO 4414, EN 983**
- Stecknippel gemäß **ISO 6150-C-17, AFNOR C-17 NF E 49-053, US MIL C-4109**
- Voller Durchgang, sehr geringer Druckverlust
- Einfache Bedienung, sehr geringe Kuppelkraft
- Kompakte Bauform

Brass Version (MS)

- Corrosion and ozone proof
- Suitable for internal and external applications

Messing Version (MS)

- Korrosion- und ozonbeständig
- Geeignet für Innen- und Aussenanwendungen

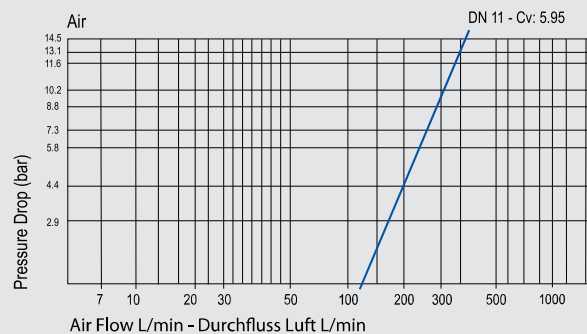
Material of Coupler (Brass - HB type)

Material für die Kupplung (Messing - HB Typ.)

Body / Housing - Kupplungsgrundkörper/Gehäuse	Brass nickel plated - Messing vernickelt
Inner Part / Cylinder - Innenteil / Zylinder	Aluminium Aluminum
Back Part - Hinterteil Sleeve - Hülse	Brass nickel plated - Messing vernickelt Brass nickel plated - Messing vernickelt
Springs - Federn	Stainless steel - Edelstahl
Seals - Dichtungen	FPM (V)
Plug - Nippel	Stainless steel - Edelstahl



Flow Rate vs Pressure Drop Graph



460.11
rtc TYPE

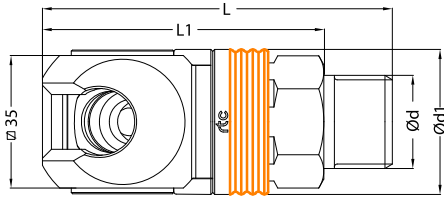
rtc TYPE 460.11

Male thread socket / Kupplung mit Aussengewinde



Socket / Kupplung

Size / Größe	Alternative Order No Alternative Bestellnr.	Order No / Bestellnr.	Ød	Ød1	L	L1	HEX.
11	R205 00 106	460.11 SMO 17	BSP 3/8	38	81,5	70,5	30
11	R205 00 107	460.11 SMO 21	BSP 1/2	38	82,5	70,5	30
11	R205 00 108	460.11 SMO 26	BSP 3/4	38	85,5	70,5	30
11	R205 00 112	460.11 STO 17	NPT 3/8	38	85,5	70,5	30
11	R205 00 113	460.11 STO 21	NPT 1/2	38	88,5	70,5	30
11	R205 00 114	460.11 STO 26	NPT 3/4	38	89,5	70,5	30
11	-	460.11 SMO 17 MS	BSP 3/8	38	81,5	70,5	30
11	R205 00 743	460.11 SMO 21 MS	BSP 1/2	38	82,5	70,5	30
11	R205 00 744	460.11 SMO 26 MS	BSP 3/4	38	85,5	70,5	30
11	-	460.11 STO 17 MS	NPT 3/8	38	85,5	70,5	30
11	R205 00 745	460.11 STO 21 MS	NPT 1/2	38	88,5	70,5	30
11	R205 00 746	460.11 STO 26 MS	NPT 3/4	38	89,5	70,5	30



*MS: Brass / Messing

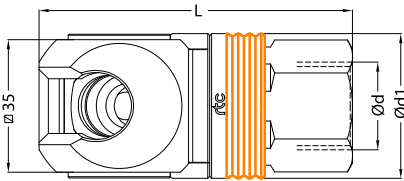
rtc TYPE 460.11

Female thread socket / Kupplung mit Innengewinde



Socket / Kupplung

Size / Größe	Alternative Order No Alternative Bestellnr.	Order No / Bestellnr.	Ød	Ød1	L	L1	HEX.
11	R205 00 103	460.11 SFO 17	BSP 3/8	38	79	-	30
11	R205 00 104	460.11 SFO 21	BSP 1/2	38	80,5	-	30
11	R205 00 105	460.11 SFO 26	BSP 3/4	38	83,5	-	32
11	R205 00 109	460.11 SNO 17	NPT 3/8	38	79	-	30
11	R205 00 110	460.11 SNO 21	NPT 1/2	38	80,5	-	30
11	R205 00 111	460.11 SNO 26	NPT 3/4	38	83,5	-	32
11	-	460.11 SFO 17 MS	BSP 3/8	38	79	-	30
11	R205 00 685	460.11 SFO 21 MS	BSP 1/2	38	80,5	-	30
11	R205 00 684	460.11 SFO 26 MS	BSP 3/4	38	83,5	-	32
11	-	460.11 SNO 17 MS	NPT 3/8	38	79	-	30
11	R205 00 687	460.11 SNO 21 MS	NPT 1/2	38	80,5	-	30
11	R205 00 686	460.11 SNO 26 MS	NPT 3/4	38	83,5	-	32



*MS: Brass / Messing

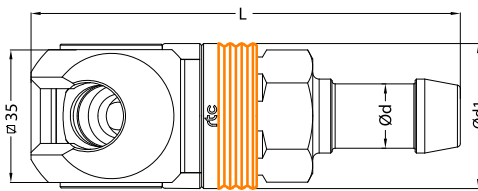
rtc TYPE 460.11

Socket with hose barb / Kupplung mit Schlauchanschluss



Socket / Kupplung

Size / Größe	Alternative Order No Alternative Bestellnr.	Order No / Bestellnr.	Ød	Ød1	L	L1	HEX.
11	-	460.11 SHO 10	Ø10 - 3/8	38	96,5	-	-
11	R205 00 712	460.11 SHO 13	Ø13 - 1/2	38	96,5	-	-
11	-	460.11 SHO 16	Ø16 - 5/8	38	96,5	-	-
11	-	460.11 SHO 10 MS	Ø10 - 3/8	38	96,5	-	-
11	-	460.11 SHO 13 MS	Ø13 - 1/2	38	96,5	-	-
11	-	460.11 SHO 16 MS	Ø16 - 5/8	38	96,5	-	-



*MS: Brass / Messing

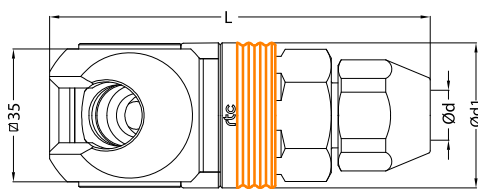
rtc TYPE 460.11

Socket with plastic hose connection / Kupplung mit Kunststoffschlauchanschluss



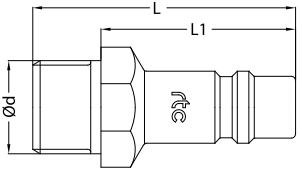
Socket / Kupplung

Size / Größe	Alternative Order No Alternative Bestellnr.	Order No / Bestellnr.	Ød	Ød1	L	L1	HEX.
11	-	460.11 SVO 0812	8x12	38	93	-	22
11	-	460.11 SVO 1116	11x16	38	93	-	27
11	-	460.11 SVO 1318	13x18	38	93	-	27
11	-	460.11 SVO 0812 MS	8x12	38	93	-	22
11	-	460.11 SVO 1116 MS	11x16	38	93	-	27
11	-	460.11 SVO 1318 MS	13x18	38	93	-	27



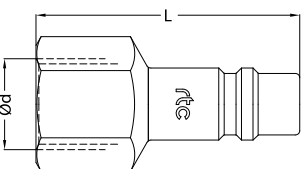
*MS: Brass / Messing

Plug with male thread / Nippel mit Aussengewinde TYPE 460.11 **rtc**

Plug / Nippel	Size / Größe	Alternative Order No / Alternative Bestellnr.	Order No / Bestellnr.	Ød	Ød1	L	L1	HEX.
	11	R255 00 074	460.11 PMF 17	BSP 3/8	-	56	45	19
	11	R255 00 075	460.11 PMF 21	BSP 1/2	-	59	45	24
	11	R255 00 290	460.11 PMF 26	BSP 3/4	-	60	45	27
	11	R255 00 277	460.11 PTF 17	NPT 3/8	-	57	45	19
	11	R255 00 278	460.11 PTF 21	NPT 1/2	-	62	45	24
	11	R255 00 291	460.11 PTF 26	NPT 3/4	-	64	45	27
	11	R355 00 250	460.11 PMF 17 S3	BSP 3/8	-	56	45	19
	11	R355 00 075	460.11 PMF 21 S3	BSP 1/2	-	59	45	24
	11	R355 00 327	460.11 PMF 26 S3	BSP 3/4	-	60	45	27
	11	-	460.11 PTF 17 S3	NPT 3/8	-	57	45	19
	11	R355 00 328	460.11 PTF 21 S3	NPT 1/2	-	62	45	24
	11	R355 00 253	460.11 PTF 26 S3	NPT 3/4	-	64	45	27

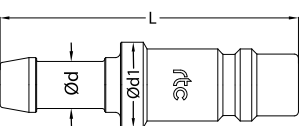
*S3: Stainless Steel / Edelstahl

Plug with female thread / Nippel mit Innengewinde TYPE 460.11 **rtc**

Plug / Nippel	Size / Größe	Alternative Order No / Alternative Bestellnr.	Order No / Bestellnr.	Ød	Ød1	L	L1	HEX.
	11	R255 00 076	460.11 PFF 17	BSP 3/8	-	59	-	19
	11	R255 00 077	460.11 PFF 21	BSP 1/2	-	61	-	27
	11	R255 00 078	460.11 PFF 26	BSP 3/4	-	63	-	32
	11	R255 00 279	460.11 PNF 17	NPT 3/8	-	59	-	19
	11	R255 00 280	460.11 PNF 21	NPT 1/2	-	61	-	27
	11	R255 00 292	460.11 PNF 26	NPT 3/4	-	63	-	32
	11	R355 00 076	460.11 PFF 17 S3	BSP 3/8	-	59	-	19
	11	R355 00 077	460.11 PFF 21 S3	BSP 1/2	-	61	-	27
	11	R355 00 078	460.11 PFF 26 S3	BSP 3/4	-	63	-	32
	11	-	460.11 PNF 17 S3	NPT 3/8	-	59	-	19
	11	R355 00 255	460.11 PNF 21 S3	NPT 1/2	-	61	-	27
	11	R355 00 256	460.11 PNF 26 S3	NPT 3/4	-	63	-	32

*S3: Stainless Steel / Edelstahl

Plug with hose barb / Nippel mit Schlauchanschluss TYPE 460.11 **rtc**

Plug / Nippel	Size / Größe	Alternative Order No / Alternative Bestellnr.	Order No / Bestellnr.	Ød	Ød1	L	L1	HEX.
	11	R255 00 079	460.11 PHF 10	Ø10 - 3/8	18	62	-	-
	11	R255 00 080	460.11 PHF 13	Ø13 - 1/2	20	68	-	-
	11	R255 00 081	460.11 PHF 16	Ø16 - 5/8	22	79	-	-
	11	R355 00 079	460.11 PHF 10 S3	Ø10 - 3/8	18	62	-	-
	11	R355 00 080	460.11 PHF 13 S3	Ø13 - 1/2	20	68	-	-
	11	R355 00 081	460.11 PHF 16 S3	Ø16 - 5/8	22	79	-	-

*S3: Stainless Steel / Edelstahl

Plug with plastic hose connection / Nippel mit Kunststoffschlussschlauchanschluss TYPE 460.11 **rtc**

Plug / Nippel	Size / Größe	Alternative Order No / Alternative Bestellnr.	Order No / Bestellnr.	Ød	Ød1	L	L1	HEX.
	11	-	460.11 PVF 0812	8x12	-	65	-	22
	11	-	460.11 PVF 1116	11x16	-	70	-	27
	11	-	460.11 PVF 1318	13x18	-	70	-	27

*S3: Stainless Steel / Edelstahl



rtc[®]

COUPLING TECHNOLOGY



461.06

rtc TYPE





Compatible - Kompatibilität

rtc	170.06
rtc	171.06
rtc	173.06
rtc	450.06
rtc	451.06

Temperature Range - Temperaturbereich

Nitrile (N)	-20°C + 110°C (- 4°F + 230°F)
FPM (V)	-20°C + 180°C (- 4°F + 356°F)
EPDM (Ethylene Propylene)	-40°C + 150°C (- 40°F + 302°F)

Working Pressure - Betriebsdruck

25 Bar (360 PSI)

Connction / Disconnection Max. Pressure -

Ein- und Auskuppelbar bis Max. Druck
15 Bar (220 PSI)

Flow size - Nennweite

rtc type 461.06 5.5mm (1/4")

Standard version - Standardversion

Seals - Dichtung : Nitrile (N)

Material of Standard Coupler / Material für die Standardversion

Body / Housing - Kupplungsgrundkörper/Gehäuse	Steel tenifer threaded Stahl teneferiert
Inner Part / Cylinder -	Surface hardened steel Zinc-nickel plated Stahl gehärtet, Zink-Nickel beschichtet
Innenteil / Zylinder	Steel zinc plated - Stahl verzinkt
Back Part - Hinterteil	Zinc diecasted, nickel plated & orange plastic coated
Sleeve -	Zink-Druckguss, vernickelt und orange Gummi beschichtet
Hülse	Stainless steel - Edelstahl
Springs - Federn	Nitrile (N)
Seals - Dichtungen	Steel tenifer threaded Stahl teneferiert
Plug - Nippel	Steel tenifer threaded Stahl teneferiert
Plug - Nippel	Steel tenifer threaded Stahl teneferiert

Advantages

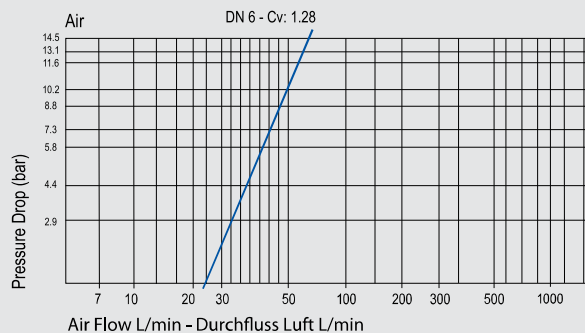
- The system perfectly fits to the **ISO 4414, EN 983** safety requirements.
- Plug profile perfectly fits to the **ISO 6150-C-10, AFNOR C-10 NF E 49-053**
- Through flow, minimum pressure loss.
- Negligible Connecting Force
- Smart and Ergonomic features
- Ease of Handling
- Optimised Size

Vorteil

- Sicherheit gemäß **ISO 4414, EN 983**
- Stecknippel gemäß **ISO 6150-C-10, AFNOR C-10 NF E 49-053**
- Voller Durchgang, sehr geringer Druckverlust
- Einfache Bedienung, sehr geringe Kuppelkraft
- Kompakte Bauform



Flow Rate vs Pressure Drop Graph



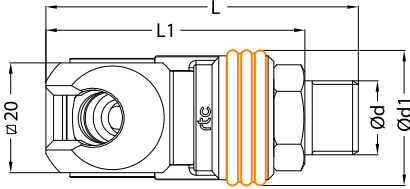
461.06
rtc TYPE

rtc TYPE 461.06

Male thread socket / Kupplung mit Aussengewinde



Socket / Kupplung



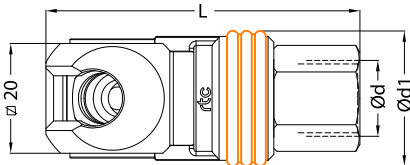
Size / Größe	Alternative Order No Alternative Bestellnr.	Order No / Bestellnr.	Ød	Ød1	L	L1	HEX.
6	R205 00 163	461.06 SMO 13	BSP 1/4	25	59.5	48.5	19
6	R205 00 164	461.06 SMO 17	BSP 3/8	25	59.5	48.5	19
6	R205 00 165	461.06 SMO 21	BSP 1/2	25	61.5	49.5	22
6	R205 00 166	461.06 STO 13	NPT 1/4	25	60.5	48.5	19
6	R205 00 167	461.06 STO 17	NPT 3/8	25	62.5	48.5	19
6	R205 00 168	461.06 STO 21	NPT 1/2	25	68.5	49.5	22

rtc TYPE 461.06

Female thread socket / Kupplung mit Innengewinde



Socket / Kupplung



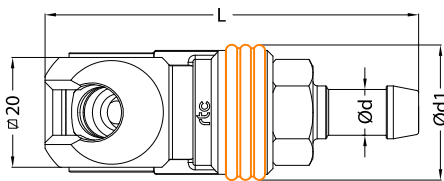
Size / Größe	Alternative Order No Alternative Bestellnr.	Order No / Bestellnr.	Ød	Ød1	L	L1	HEX.
6	R205 00 156	461.06 SFO 13	BSP 1/4	25	56.5	-	19
6	R205 00 157	461.06 SFO 17	BSP 3/8	25	58.5	-	20
6	R205 00 158	461.06 SFO 21	BSP 1/2	25	60.5	-	24
6	R205 00 160	461.06 SNO 13	NPT 1/4	25	57.5	-	19
6	R205 00 161	461.06 SNO 17	NPT 3/8	25	59.5	-	20
6	R205 00 162	461.06 SNO 21	NPT 1/2	25	65.5	-	24

rtc TYPE 461.06

Socket with hose barb / Kupplung mit Schlauchanschluss



Socket / Kupplung



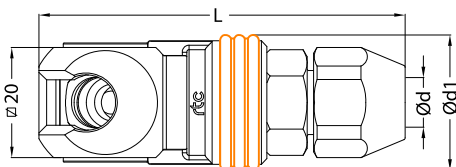
Size / Größe	Alternative Order No Alternative Bestellnr.	Order No / Bestellnr.	Ød	Ød1	L	L1	HEX.
6	R205 00 169	461.06 SHO 06	Ø6 - 1/4	25	69	-	-
6	R205 00 170	461.06 SHO 08	Ø8 - 5/16	25	69	-	-
6	R205 00 171	461.06 SHO 10	Ø10 - 3/8	25	69	-	-

rtc TYPE 461.06

Socket with plastic hose connection / Kupplung mit Kunststoffschlauchanschluss

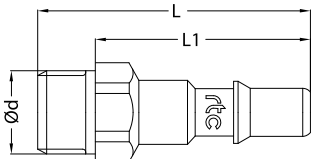


Socket / Kupplung

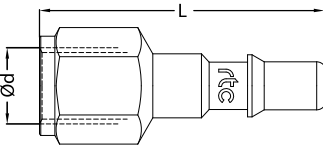


Size / Größe	Alternative Order No Alternative Bestellnr.	Order No / Bestellnr.	Ød	Ød1	L	L1	HEX.
6	R205 00 276	461.06 SVO 0610	6.5x10	25	70	-	22
6	R205 00 277	461.06 SVO 0812	8x12	25	70	-	22

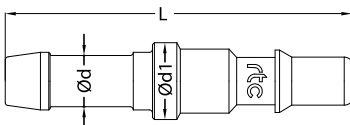
Plug with male thread / Nippel mit Aussengewinde TYPE 461.06 

Plug / Nippel	Size / Größe	Alternative Order No Alternative Bestellnr.	Order No / Bestellnr.	Ød	Ød1	L	L1	HEX.
	6	R255 00 093	461.06 PMF 10	BSP 1/8	-	44	36	14
	6	R255 00 091	461.06 PMF 13	BSP 1/4	-	47	36	14
	6	R255 00 092	461.06 PMF 17	BSP 3/8	-	52	40	19
	6	R255 00 111	461.06 PTF 10	NPT 1/8	-	44	36	14
	6	R255 00 112	461.06 PTF 13	NPT 1/4	-	47	45	14
	6	R255 00 117	461.06 PTF 17	NPT 3/8	-	53	48	19

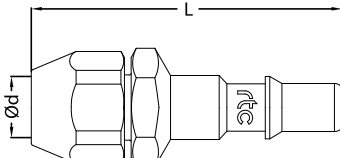
Plug with female thread / Nippel mit Innengewinde TYPE 461.06 

Plug / Nippel	Size / Größe	Alternative Order No Alternative Bestellnr.	Order No / Bestellnr.	Ød	Ød1	L	L1	HEX.
	6	R255 00 100	461.06 PFF 10	BSP 1/8	-	42	-	14
	6	R255 00 088	461.06 PFF 13	BSP 1/4	-	46.5	-	17
	6	-	461.06 PFF 17	BSP 3/8	-	50	-	22
	6	R255 00 118	461.06 PNF 10	NPT 1/8	-	42	-	14
	6	R255 00 119	461.06 PNF 13	NPT 1/4	-	46.5	-	17
	6	R255 00 286	461.06 PNF 17	NPT 3/8	-	51	-	22

Plug with hose barb / Nippel mit Schlauchanschluss TYPE 461.06 

Plug / Nippel	Size / Größe	Alternative Order No Alternative Bestellnr.	Order No / Bestellnr.	Ød	Ød1	L	L1	HEX.
	6	R255 00 113	461.06 PHF 06	Ø6 - 1/4	12	56	-	-
	6	R255 00 114	461.06 PHF 08	Ø8 - 5/16	12	56	-	-
	6	R255 00 115	461.06 PHF 10	Ø10 - 3/8	13	56	-	-
	6	R255 00 116	461.06 PHF 13	Ø13 - 1/2	16.5	60	-	-

Plug with plastic hose connection / Nippel mit Kunststoffschlauchanschluss TYPE 461.06 

Plug / Nippel	Size / Größe	Alternative Order No Alternative Bestellnr.	Order No / Bestellnr.	Ød	Ød1	L	L1	HEX.
	6	-	461.06 PVF 0610	6.5x10	-	65	-	22
	6	-	461.06 PVF 0812	8.0x12	-	65	-	22



rtc[®]

COUPLING TECHNOLOGY



461.08

rtc TYPE





Compatible - Kompatibilität

rtc	170.08
rtc	171.08
rtc	173.08
rtc	450.08
rtc	451.08

Temperature Range - Temperaturbereich

Nitrile (N)	-20°C + 110°C (- 4°F + 230°F)
FPM (V)	-20°C + 180°C (- 4°F + 356°F)
EPDM (Ethylene Propylene)	-40°C + 150°C (- 40°F + 302°F)

Working Pressure - Betriebsdruck

25 Bar (360 PSI)

Connction / Disconnection Max. Pressure -

Ein- und Auskuppelbar bis Max. Druck
15 Bar (220 PSI)

Flow size - Nennweite

rtc type 461.08 8mm (3/8")

Standard version - Standardversion

Seals - Dichtung : Nitrile (N)

Material of Standard Coupler / Material für die Standardversion

Body / Housing - Kupplungsgrundkörper/Gehäuse	Steel tenifer threated Stahl teneferiert
Inner Part / Cylinder - Innenteil / Zylinder	Surface hardened steel Zinc-nickel plated Stahl gehärtet, Zink-Nickel beschichtet
Back Part - Hinterteil Sleeve -	Steel zinc plated - Stahl verzinkt Zinc diecasted, nickel plated & orange plastic coated
Hülse	Zinc-Druckguss, vernickelt und orange Gummi beschichtet
Springs - Federn	Stainless steel - Edelstahl
Seals - Dichtungen	Nitrile (N)
Plug - Nippel	Steel Tenifer Threated Stahl Teneferiert
Plug - Nippel	Steel tenifer threated Stahl teneferiert

Advantages

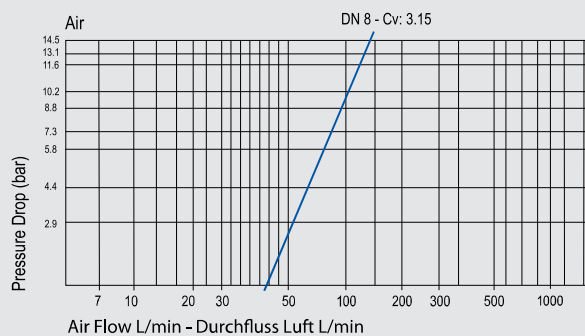
- The system perfectly fits to the **ISO 4414**, **EN 983** safety requirements.
- Plug profile perfectly fits to the **ISO 6150-C-14**, **AFNOR C-14 NF E 49-053**
- Through flow, minimum pressure loss.
- Negligible Connecting Force
- Smart and Ergonomic features
- Ease of Handling
- Optimised Size

Vorteil

- Sicherheit gemäß **ISO 4414**, **EN 983**
- Stecknippel gemäß **ISO 6150-C-14**, **AFNOR C-14 NF E 49-053**
- Voller Durchgang, sehr geringer Druckverlust
- Einfache Bedienung, sehr geringe Kuppelkraft
- Kompakte Bauform



Flow Rate vs Pressure Drop Graph



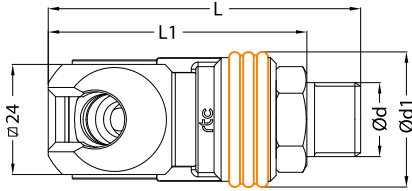
461.08
rtc TYPE

rtc TYPE 461.08

Male thread socket / Kupplung mit Aussengewinde



Socket / Kupplung



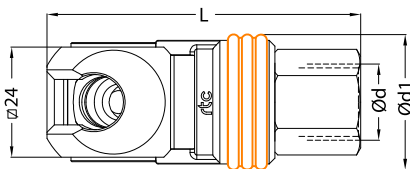
Size / Größe	Alternative Order No Alternative Bestellnr.	Order No / Bestellnr.	Ød	Ød1	L	L1	HEX.
8	R205 00 121	461.08 SMO 13	BSP 1/4	30	69.5	58.5	20
8	R205 00 122	461.08 SMO 17	BSP 3/8	30	69.5	58.5	20
8	R205 00 123	461.08 SMO 21	BSP 1/2	30	71.5	59.5	22
8	R205 00 383	461.08 STO 13	NPT 1/4	30	70.5	56.5	20
8	R205 00 124	461.08 STO 17	NPT 3/8	30	71.5	57.5	20
8	R205 00 125	461.08 STO 21	NPT 1/2	30	78.5	59.5	22

rtc TYPE 461.08

Female thread socket / Kupplung mit Innengewinde



Socket / Kupplung



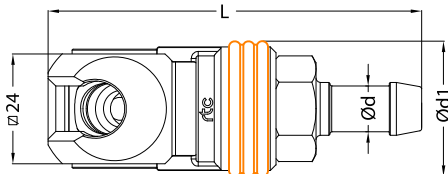
Size / Größe	Alternative Order No Alternative Bestellnr.	Order No / Bestellnr.	Ød	Ød1	L	L1	HEX.
8	R205 00 115	461.08 SFO 13	BSP 1/4	30	68.5	-	20
8	R205 00 116	461.08 SFO 17	BSP 3/8	30	68.5	-	20
8	R205 00 117	461.08 SFO 21	BSP 1/2	30	69.5	-	24
8	R205 00 118	461.08 SNO 13	NPT 1/4	30	68.5	-	20
8	R205 00 119	461.08 SNO 17	NPT 3/8	30	68.5	-	20
8	R205 00 120	461.08 SNO 21	NPT 1/2	30	69.5	-	24

rtc TYPE 461.08

Socket with hose barb / Kupplung mit Schlauchanschluss



Socket / Kupplung



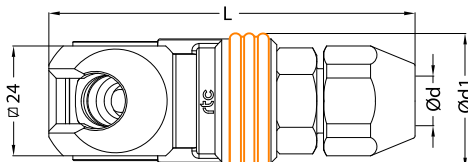
Size / Größe	Alternative Order No Alternative Bestellnr.	Order No / Bestellnr.	Ød	Ød1	L	L1	HEX.
8	R205 00 126	461.08 SHO 08	Ø8 - 5/16	30	79	-	-
8	R205 00 127	461.08 SHO 10	Ø10 - 3/8	30	79	-	-
8	R205 00 128	461.08 SHO 13	Ø13 - 1/2	30	79	-	-

rtc TYPE 461.08

Socket with plastic hose connection / Kupplung mit Kunststoffschlauchanschluss

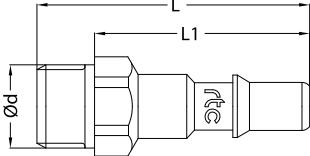


Socket / Kupplung

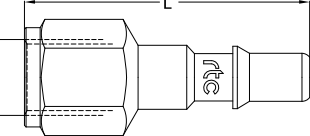


Size / Größe	Alternative Order No Alternative Bestellnr.	Order No / Bestellnr.	Ød	Ød1	L	L1	HEX.
8	R205 00 129	461.08 SVO 0610	6.5x10	30	80	-	22
8	R205 00 130	461.08 SVO 0812	8x12	30	80	-	22
8	R205 00 131	461.08 SVO 1116	11x16	30	84	-	27

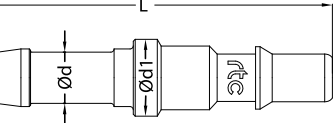
Plug with male thread / Nippel mit Aussengewinde TYPE 461.08 **rtc**

Plug / Nippel	Size / Größe	Alternative Order No Alternative Bestellnr.	Order No / Bestellnr.	Ød	Ød1	L	L1	HEX.
	8	R255 00 101	461.08 PMF 13	BSP 1/4	-	55	44	17
	8	R255 00 102	461.08 PMF 17	BSP 3/8	-	57	44.5	19
	8	-	461.08 PMF 21	BSP 1/2	-	60	48	24
	8	R255 00 090	461.08 PTF 13	NPT 1/4	-	57	44.5	17
	8	R255 00 089	461.08 PTF 17	NPT 3/8	-	57	44.5	19
	8	R255 00 359	461.08 PTF 21	NPT 1/2	-	64	47	24

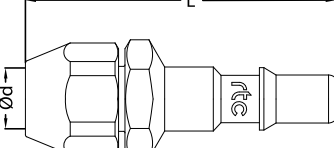
Plug with female thread / Nippel mit Innengewinde TYPE 461.08 **rtc**

Plug / Nippel	Size / Größe	Alternative Order No Alternative Bestellnr.	Order No / Bestellnr.	Ød	Ød1	L	L1	HEX.
	8	R255 00 103	461.08 PFF 13	BSP 1/4	-	55.5	-	17
	8	R255 00 105	461.08 PFF 17	BSP 3/8	-	57.5	-	22
	8	-	461.08 PFF 21	BSP 1/2	-	59	-	27
	8	R255 00 104	461.08 PNF 13	NPT 1/4	-	56.5	-	17
	8	R255 00 106	461.08 PNF 17	NPT 3/8	-	57.5	-	22
	8	-	461.08 PNF 21	NPT 1/2	-	59	-	27

Plug with hose barb / Nippel mit Schlauchanschluss TYPE 461.08 **rtc**

Plug / Nippel	Size / Größe	Alternative Order No Alternative Bestellnr.	Order No / Bestellnr.	Ød	Ød1	L	L1	HEX.
	8	R255 00 107	461.08 PHF 08	Ø8 - 5/16	15	62	-	-
	8	R255 00 108	461.08 PHF 10	Ø10 - 3/8	15	62	-	-
	8	R255 00 109	461.08 PHF 13	Ø13 - 1/2	17	66	-	-
	8	R255 00 110	461.08 PHF 16	Ø16 - 5/8	19	66	-	-

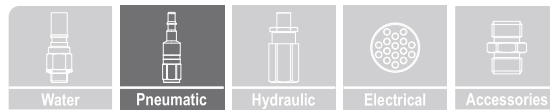
Plug with plastic hose connection / Nippel mit Kunststoffschlauchanschluss TYPE 461.08 **rtc**

Plug / Nippel	Size / Größe	Alternative Order No Alternative Bestellnr.	Order No / Bestellnr.	Ød	Ød1	L	L1	HEX.
	8	-	461.08 PVF 0812	8x12	-	72	-	22
	8	-	461.08 PVF 1116	11x16	-	77	-	27



rtc[®]

COUPLING TECHNOLOGY



461.11

rtc TYPE





Compatible - Kompatibilität

rtc	170.11
rtc	171.11
rtc	173.11
rtc	450.11
rtc	451.11

Temperature Range - Temperaturbereich

Nitrile (N)	-20°C + 110°C (-4°F + 230°F)
FPM (V)	-20°C + 180°C (-4°F + 356°F)
EPDM (Ethylene Propylene)	-40°C + 150°C (-40°F + 302°F)

Working Pressure - Betriebsdruck

25 Bar (360 PSI)

Connction / Disconnection Max. Pressure -

Ein- und Auskuppelbar bis Max. Druck
15 Bar (220 PSI)

Flow size - Nennweite

rtc type 461.11 11mm (1/2")

Standard version - Standardversion

Seals - Dichtung : Nitrile (N)

Material of Standard Coupler / Material für die Standardversion

Body / Housing -	Steel tenifer threaded
Kupplungsgrundkörper/Gehäuse	Stahl teneferiert
Inner Part / Cylinder -	Surface hardened steel
	Zinc-nickel plated
Innenteil / Zylinder	Stahl gehärtet, Zink-Nickel beschichtet
Back Part - Hinterteil	Steel zinc plated - Stahl verzinkt
Sleeve -	Steel zinc nickel plated & orange painted
Hülse	Stahl Zink-Nickel Beschichtet und orange lackiert
Springs - Federn	Stainless steel - Edelstahl
Seals - Dichtungen	Nitrile (N)
Plug -	Steel tenifer threaded
Nippel	Stahl teneferiert

Advantages

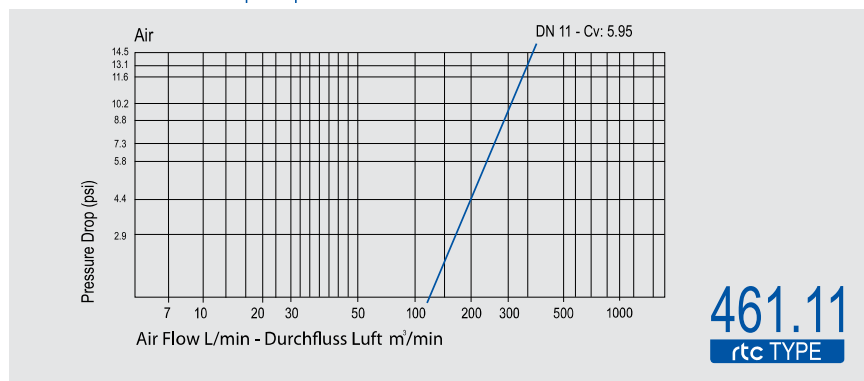
- The system perfectly fits to the **ISO 4414, EN 983** safety requirements.
- Plug profile perfectly fits to the **ISO 6150-C-17, AFNOR C-17 NF E 49-053**
- Through flow, minimum pressure loss.
- Negligible Connecting Force
- Smart and Ergonomic features
- Ease of Handling
- Optimised Size

Vorteil

- Sicherheit gemäß **ISO 4414, EN 983**
- Stecknippel gemäß **ISO 6150-C-17, AFNOR C-17 NF E 49-053**
- Voller Durchgang, sehr geringer Druckverlust
- Einfache Bedienung, sehr geringe Kuppelkraft
- Kompakte Bauform



Flow Rate vs Pressure Drop Graph

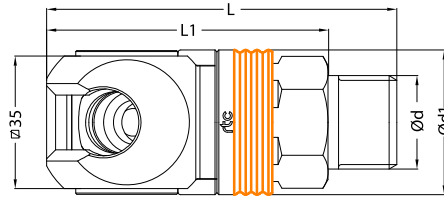


rtc TYPE 461.11

Male thread socket / Kupplung mit Aussengewinde



Socket / Kupplung



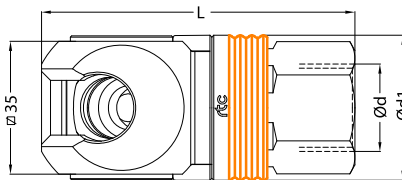
Size / Größe	Alternative Order No Alternative Bestellnr.	Order No / Bestellnr.	Ød	Ød1	L	L1	HEX.
11	R205 00 135	461.11 SMO 17	BSP 3/8	38	81.5	70.5	30
11	R205 00 136	461.11 SMO 21	BSP 1/2	38	82.5	70.5	30
11	R205 00 137	461.11 SMO 26	BSP 3/4	38	85.5	70.5	30
11	R205 00 141	461.11 STO 17	NPT 3/8	38	85.5	70.5	30
11	R205 00 142	461.11 STO 21	NPT 1/2	38	88.5	70.5	30
11	R205 00 143	461.11 STO 26	NPT 3/4	38	89.5	70.5	30

rtc TYPE 461.11

Female thread socket / Kupplung mit Innengewinde



Socket / Kupplung



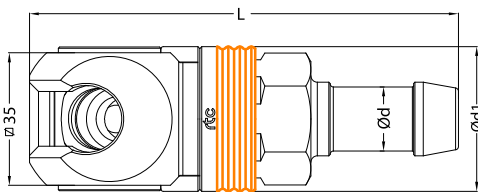
Size / Größe	Alternative Order No Alternative Bestellnr.	Order No / Bestellnr.	Ød	Ød1	L	L1	HEX.
11	R205 00 132	461.11 SFO 17	BSP 3/8	38	79	-	30
11	R205 00 133	461.11 SFO 21	BSP 1/2	38	80.5	-	30
11	R205 00 134	461.11 SFO 26	BSP 3/4	38	83.5	-	32
11	R205 00 138	461.11 SNO 17	NPT 3/8	38	79	-	30
11	R205 00 139	461.11 SNO 21	NPT 1/2	38	80.5	-	30
11	R205 00 140	461.11 SNO 26	NPT 3/4	38	83.5	-	32

rtc TYPE 461.11

Socket with hose barb / Kupplung mit Schlauchanschluss



Socket / Kupplung



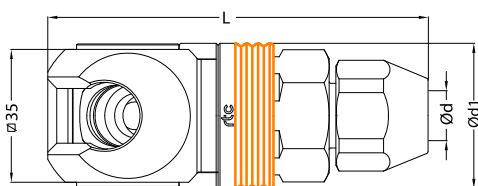
Size / Größe	Alternative Order No Alternative Bestellnr.	Order No / Bestellnr.	Ød	Ød1	L	L1	HEX.
11	-	461.11 SHO 10	Ø10 - 3/8	38	96.5	-	-
11	R205 00 737	461.11 SHO 13	Ø13 - 1/2	38	96.5	-	-
11	-	461.11 SHO 16	Ø16 - 5/8	38	96.5	-	-

rtc TYPE 461.11

Socket with plastic hose connection / Kupplung mit Kunststoffschlauchanschluss



Socket / Kupplung



Size / Größe	Alternative Order No Alternative Bestellnr.	Order No / Bestellnr.	Ød	Ød1	L	L1	HEX.
11	-	461.11 SVO 0812	8x12	38	93	-	22
11	-	461.11 SVO 1116	11x16	38	93	-	27

Plug with male thread / Nippel mit Aussengewinde TYPE 461.11 **rtc**

Plug / Nippel	Size / Größe	Alternative Order No Alternative Bestellnr.	Order No / Bestellnr.	Ød	Ød1	L	L1	HEX.
	11	R255 00 131	461.11 PMF 17	BSP 3/8	-	63	51	19
	11	R255 00 132	461.11 PMF 21	BSP 1/2	-	68	53	24
	11	R255 00 133	461.11 PMF 26	BSP 3/4	-	70	53	30
	11	R255 00 137	461.11 PTF 17	NPT 3/8	-	62	51	19
	11	R255 00 138	461.11 PTF 21	NPT 1/2	-	67	50	24
	11	R255 00 139	461.11 PTF 26	NPT 3/4	-	70	51	27

Plug with female thread / Nippel mit Innengewinde TYPE 461.11 **rtc**

Plug / Nippel	Size / Größe	Alternative Order No Alternative Bestellnr.	Order No / Bestellnr.	Ød	Ød1	L	L1	HEX.
	11	R255 00 128	461.11 PFF 17	BSP 3/8	-	62	-	22
	11	R255 00 129	461.11 PFF 21	BSP 1/2	-	66	-	27
	11	R255 00 130	461.11 PFF 26	BSP 3/4	-	69	-	32
	11	R255 00 134	461.11 PNF 17	NPT 3/8	-	62	-	22
	11	R255 00 135	461.11 PNF 21	NPT 1/2	-	67	-	27
	11	R255 00 136	461.11 PNF 26	NPT 3/4	-	69	-	32

Plug with hose barb / Nippel mit Schlauchanschluss TYPE 461.11 **rtc**

Plug / Nippel	Size / Größe	Alternative Order No Alternative Bestellnr.	Order No / Bestellnr.	Ød	Ød1	L	L1	HEX.
	11	-	461.11 PHF 06	Ø6 - 1/8	19	67.5	-	-
	11	-	461.11 PHF 08	Ø8 - 1/4	19	67.5	-	-
	11	R255 00 140	461.11 PHF 10	Ø10 - 3/8	19	70.5	-	-
	11	R255 00 141	461.11 PHF 13	Ø13 - 1/2	19	70.5	-	-
	11	R255 00 142	461.11 PHF 16	Ø16 - 5/8	21	72	-	-
	11	R255 00 143	461.11 PHF 19	Ø19 - 3/4	23	85	-	-

Plug with plastic hose connection / Nippel mit Kunststoffschlauchanschluss TYPE 461.11 **rtc**

Plug / Nippel	Size / Größe	Alternative Order No Alternative Bestellnr.	Order No / Bestellnr.	Ød	Ød1	L	L1	HEX.
	11	-	461.11 PVF 0812	8x12	-	72	-	22
	11	-	461.11 PVF 1116	11x16	-	76	-	27



rtc[®]

COUPLING TECHNOLOGY



461.19

rtc TYPE





Compatible - Kompatibilität

rtc 170.19

Temperature Range - Temperaturbereich

Nitrile (N)	-20°C + 110°C (-4°F + 230°F)
FPM (V)	-20°C + 180°C (-4°F + 356°F)
EPDM (Ethylene Propylene)	-40°C + 150°C (-40°F + 302°F)

Working Pressure - Betriebsdruck

25 Bar (360 PSI)

Connction / Disconnection Max. Pressure -

Ein- und Auskuppelbar bis Max. Druck

12 Bar (175 PSI)

Flow size - Nennweite

rtc type 461.19 19mm (3/4")

Standard version - Standardversion

Seals - Dichtung : Nitrile (N)

Material of Standard Coupler / Material für die Standardversion

Body / Housing - Kupplungsgrundkörper/Gehäuse	Steel tenifer threaded Stahl teneferiert
Inner Part / Cylinder - Innenteil / Zylinder	Surface hardened steel Zinc-nickel plated Stahl gehärtet, Zink-Nickel beschichtet
Back Part - Hinterteil Sleeve -	Steel zinc plated - Stahl verzinkt Steel zinc nickel plated & orange painted
Hülse	Stahl Zink-Nickel beschichtet und orange lackiert
Springs - Federn	Stainless steel - Edelstahl
Seals - Dichtungen	Nitrile (N)
Plug - Nippel	Steel tenifer threaded Stahl teneferiert

Advantages

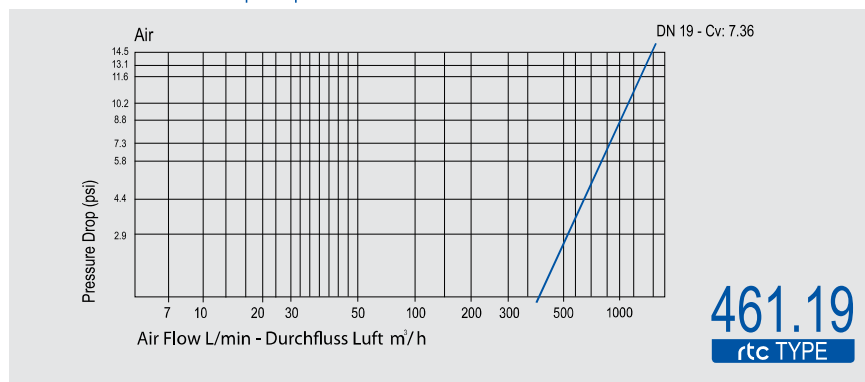
- The system perfectly fits to the **ISO 4414, EN 983** safety requirements.
- Plug profile perfectly fits to the **ISO 6150-C-27, AFNOR C-27 NF E 49-053**
- Through flow, minimum pressure loss.
- Negligible Connecting Force
- Smart and Ergonomic features
- Ease of Handling
- Optimised Size

Vorteil

- Sicherheit gemäß **ISO 4414, EN 983**
- Stecknippel gemäß **ISO 6150-C-27, AFNOR C-27 NF E 49-053**
- Voller Durchgang, sehr geringer Druckverlust
- Einfache Bedienung, sehr geringe Kuppelkraft
- Kompakte Bauform



Flow Rate vs Pressure Drop Graph

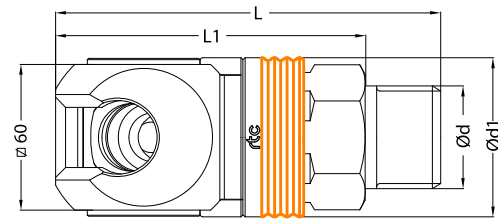


rtc TYPE 461.19

Male thread socket / Kupplung mit Aussengewinde



Socket / Kupplung



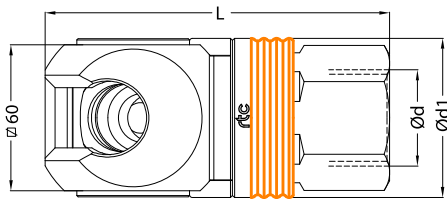
Size / Größe	Alternative Order No Alternative Bestellnr.	Order No / Bestellnr.	Ød	Ød1	L	L1	HEX.
19	R205 00 146	461.19 SMO 26	BSP 3/4	64	163	146	55
19	R205 00 147	461.19 SMO 33	BSP 1	64	167	147	55
19	R205 00 150	461.19 STO 26	NPT 3/4	64	169	150	55
19	R205 00 151	461.19 STO 33	NPT 1	64	175	151	55

rtc TYPE 461.19

Female thread socket / Kupplung mit Innengewinde



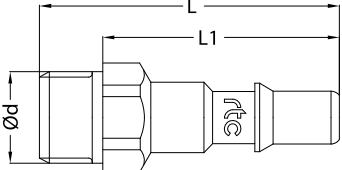
Socket / Kupplung



Size / Größe	Alternative Order No Alternative Bestellnr.	Order No / Bestellnr.	Ød	Ød1	L	L1	HEX.
19	R205 00 144	461.19 SFO 26	BSP 3/4	64	144	-	55
19	R205 00 145	461.19 SFO 33	BSP 1	64	145	-	55
19	R205 00 148	461.19 SNO 26	NPT 3/4	64	148	-	55
19	R205 00 149	461.19 SNO 33	NPT 1	64	149	-	55

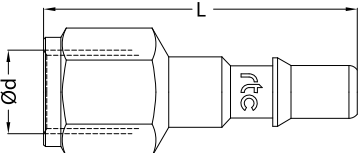
Plug with male thread / Nippel mit Aussengewinde

 TYPE 461.19 

Plug / Nippel	Size / Größe	Alternative Order No Alternative Bestellnr.	Order No / Bestellnr.	Ød	Ød1	L	L1	HEX.
	19	R255 00 082	461.19 PMF 26	BSP 3/4	-	95	81	36
	19	R255 00 083	461.19 PMF 33	BSP 1	-	99	81	36
	19	R255 00 281	461.19 PTF 26	NPT 3/4	-	100	81	36
	19	R255 00 282	461.19 PTF 33	NPT 1	-	105	81	36

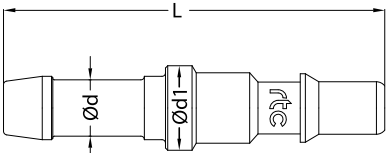
Plug with female thread / Nippel mit Innengewinde

 TYPE 461.19 

Plug / Nippel	Size / Größe	Alternative Order No Alternative Bestellnr.	Order No / Bestellnr.	Ød	Ød1	L	L1	HEX.
	19	R255 00 084	461.19 PFF 26	BSP 3/4	-	-	89	36
	19	R255 00 085	461.19 PFF 33	BSP 1	-	-	94	41
	19	R255 00 283	461.19 PNF 26	NPT 3/4	-	-	89	36
	19	R255 00 284	461.19 PNF 33	NPT 1	-	-	94	41

Plug with hose barb / Nippel mit Schlauchanschluss

 TYPE 461.19 

Plug / Nippel	Size / Größe	Alternative Order No Alternative Bestellnr.	Order No / Bestellnr.	Ød	Ød1	L	L1	HEX.
	19	R255 00 086	461.19 PHF 19	Ø19 - 3/4	30	105.5	-	-
	19	R255 00 087	461.19 PHF 25	Ø25 - 1	35	118.5	-	-



rtc[®]

COUPLING TECHNOLOGY



462.06

rtc TYPE





Compatible - Kompatibilität

rtc	014
rtc	022
ARO	210
Cejn	300
Parker	B53
Rectus	14 & 22
Foster	210
AMFLO	C38

Temperature Range - Temperaturbereich

Nitrile (N)	-20°C + 110°C (- 4°F + 230°F)
FPM (V)	-20°C + 180°C (- 4°F + 356°F)
EPDM (Ethylene Propylene)	-40°C + 150°C (- 40°F + 302°F)

Working Pressure - Betriebsdruck

25 Bar (360 PSI)

Connction / Disconnection Max. Pressure -

Ein- und Auskuppelbar bis Max. Druck
15 Bar (220 PSI)

Flow size - Nennweite

rtc type 462.06 5.5mm (1/4")

Standard version - Standardversion

Seals - Dichtung : Nitrile (N)

Material of Standard Coupler / Material für die Standardversion

Body / Housing - Kupplungsgrundkörper/Gehäuse	Steel tenifer threaded Stahl teneferiert
Inner Part / Cylinder - Innenteil / Zylinder	Surface hardened steel Zinc-nickel plated Stahl gehärtet, Zink-Nickel beschichtet
Back Part - Hinterteil Sleeve -	Steel zinc plated - Stahl verzinkt Zinc diecasted, nickel plated & orange plastic coated
Hülse	Zink-Druckguss, vernickelt und orange Gummi beschichtet
Springs - Federn Seals - Dichtungen	Stainless steel - Edelstahl Nitrile (N)
Plug - Nippel	Surface hardened steel, galvanized Stahl gehärtet, verzinkt

Advantages

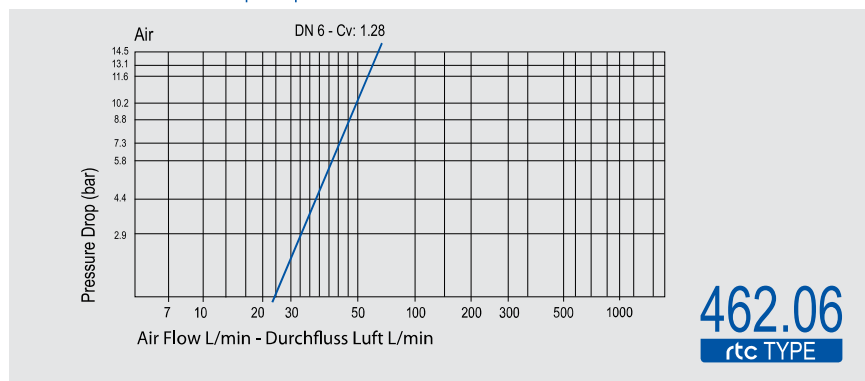
- The system perfectly fits to the **ISO 4414**, **EN 983** safety requirements.
- Through flow, minimum pressure loss.
- Negligible Connecting Force
- Smart and Ergonomic features
- Ease of Handling
- Optimised Size

Vorteil

- Sicherheit gemäß **ISO 4414**, **EN 983**
- Voller Durchgang, sehr geringer Druckverlust
- Einfache Bedienung, sehr geringe Kuppelkraft
- Kompakte Bauform



Flow Rate vs Pressure Drop Graph

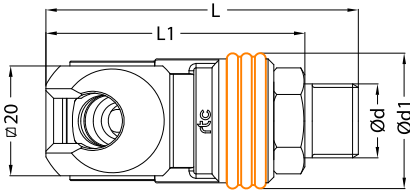


rtc TYPE 462.06

Male thread socket / Kupplung mit Aussengewinde



Socket / Kupplung



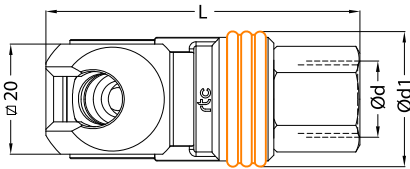
Size / Größe	Alternative Order No Alternative Bestellnr.	Order No / Bestellnr.	Ød	Ød1	L	L1	HEX.
6	R205 00 294	462.06 SMO 13	BSP 1/4	25	59.5	48.5	19
6	R205 00 295	462.06 SMO 17	BSP 3/8	25	59.5	48.5	19
6	R205 00 296	462.06 SMO 21	BSP 1/2	25	61.5	49.5	22
6	R205 00 297	462.06 STO 13	NPT 1/4	25	60.5	48.5	19
6	R205 00 298	462.06 STO 17	NPT 3/8	25	62.5	48.5	19
6	R205 00 299	462.06 STO 21	NPT 1/2	25	68.5	49.5	22

rtc TYPE 462.06

Female thread socket / Kupplung mit Innengewinde



Socket / Kupplung



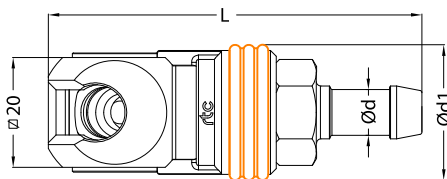
Size / Größe	Alternative Order No Alternative Bestellnr.	Order No / Bestellnr.	Ød	Ød1	L	L1	HEX.
6	R205 00 286	462.06 SFO 10	BSP 1/8	25	56.5	-	19
6	R205 00 287	462.06 SFO 13	BSP 1/4	25	56.5	-	19
6	R205 00 288	462.06 SFO 17	BSP 3/8	25	58.5	-	19
6	R205 00 289	462.06 SFO 21	BSP 1/2	25	60.5	-	24
6	R205 00 290	462.06 SNO 10	NPT 1/8	25	57.5	-	19
6	R205 00 291	462.06 SNO 13	NPT 1/4	25	57.5	-	19
6	R205 00 292	462.06 SNO 17	NPT 3/8	25	59.5	-	20
6	R205 00 293	462.06 SNO 21	NPT 1/2	25	65.5	-	24

rtc TYPE 462.06

Socket with hose barb / Kupplung mit Schlauchanschluss



Socket / Kupplung



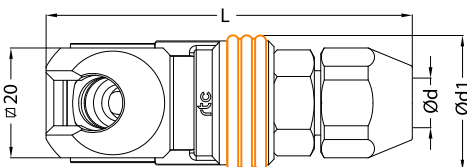
Size / Größe	Alternative Order No Alternative Bestellnr.	Order No / Bestellnr.	Ød	Ød1	L	L1	HEX.
6	R205 00 300	462.06 SHO 06	Ø6 - 1/4	25	69	-	-
6	R205 00 301	462.06 SHO 08	Ø8 - 5/16	25	69	-	-
6	R205 00 302	462.06 SHO 10	Ø10 - 3/8	25	69	-	-

rtc TYPE 462.06

Socket with plastic hose connection / Kupplung mit Kunststoffschlauchanschluss



Socket / Kupplung



Size / Größe	Alternative Order No Alternative Bestellnr.	Order No / Bestellnr.	Ød	Ød1	L	L1	HEX.
6	R205 00 304	462.06 SVO 0610	6.5x10	25	70	-	22
6	R205 00 305	462.06 SVO 0812	8x12	25	70	-	22

Plug with male thread / Nippel mit Aussengewinde TYPE 462.06 **rtc**

Plug / Nippel	Size / Größe	Alternative Order No Alternative Bestellnr.	Order No / Bestellnr.	Ød	Ød1	L	L1	HEX.
	6	R255 00 000	462.06 PMF 10	BSP 1/8	-	36.5	30.5	14
	6	R255 00 001	462.06 PMF 13	BSP 1/4	-	40.5	30.5	17
	6	-	462.06 PMF 17	BSP 3/8	-	42	33.5	19
	6	R255 00 002	462.06 PTF 10	NPT 1/8	-	39.5	30.5	14
	6	R255 00 003	462.06 PTF 13	NPT 1/4	-	42.5	30.5	17
	6	R255 00 066	462.06 PTF 17	NPT 3/8	-	45.5	33.5	19

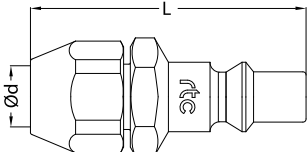
Plug with female thread / Nippel mit Innengewinde TYPE 462.06 **rtc**

Plug / Nippel	Size / Größe	Alternative Order No Alternative Bestellnr.	Order No / Bestellnr.	Ød	Ød1	L	L1	HEX.
	6	R255 00 004	462.06 PFF 10	BSP 1/8	-	37.5	-	14
	6	R255 00 005	462.06 PFF 13	BSP 1/4	-	40.5	-	17
	6	-	462.06 PFF 17	BSP 3/8	-	41.5	-	19
	6	R255 00 006	462.06 PNF 10	NPT 1/8	-	37.5	-	14
	6	R255 00 007	462.06 PNF 13	NPT 1/4	-	41.5	-	17
	6	R255 00 068	462.06 PNF 17	NPT 3/8	-	42.5	-	19

Plug with hose barb / Nippel mit Schlauchanschluss TYPE 462.06 **rtc**

Plug / Nippel	Size / Größe	Alternative Order No Alternative Bestellnr.	Order No / Bestellnr.	Ød	Ød1	L	L1	HEX.
	6	R255 00 008	462.06 PHF 06	Ø6 - 1/4	14	51	-	-
	6	R255 00 009	462.06 PHF 08	Ø8 - 5/16	14	51	-	-
	6	R255 00 010	462.06 PHF 10	Ø10 - 3/8	14	51	-	-

Plug with plastic hose connection / Nippel mit Kunststoffschlauchanschluss TYPE 462.06 **rtc**

Plug / Nippel	Size / Größe	Alternative Order No Alternative Bestellnr.	Order No / Bestellnr.	Ød	Ød1	L	L1	HEX.
	6	-	462.06 PVF 0610	6.5x10	-	54	-	22
	6	-	462.06 PVF 0812	8x12	-	54	-	22



rtc[®]

COUPLING TECHNOLOGY



463.08

rtc TYPE





Compatible - Kompatibilität

rtc	025
rtc	026
Cejn	320
Rectus	25 & 26

Temperature Range - Temperaturbereich

Nitrile (N)	-20°C + 110°C (- 4°F + 230°F)
FPM (V)	-20°C + 180°C (- 4°F + 356°F)
EPDM (Ethylene Propylene)	-40°C + 150°C (- 40°F + 302°F)

Working Pressure - Betriebsdruck

25 Bar (360 PSI)

Connction / Disconnection Max. Pressure -

Ein- und Auskuppelbar bis Max. Druck

15 Bar (220 PSI)

Flow size - Nennweite

rtc type 463.08 7.8mm (3/8")

Standard version - Standardversion

Seals - Dichtung : Nitrile (N)

Material of Standard Coupler / Material für die Standardversion

Body / Housing -	Steel tenifer threaded
Kupplungsgrundkörper/Gehäuse	Stahl teneferiert
Inner Part / Cylinder -	Surface hardened steel
	Zinc-nickel plated
Innenteil / Zylinder	Stahl gehärtet, Zink-Nickel beschichtet
Back Part - Hinterteil	Steel zinc plated - Stahl verzinkt
Sleeve -	Zinc diecasted, nickel plated & orange plastic coated
Hülse	Zink-Druckguss, vernickelt und orange Gummi beschichtet
Springs - Federn	Stainless steel - Edelstahl
Seals - Dichtungen	Nitrile (N)
Plug -	Surface hardened steel, galvanized
Nippel	Stahl gehärtet, verzinkt

Advantages

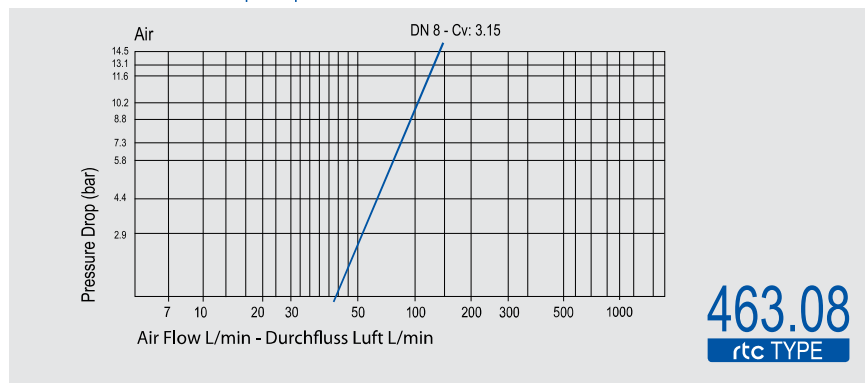
- The system perfectly fits to the ISO 4414, EN 983 safety requirements.
- Through flow, minimum pressure loss.
- Negligible Connecting Force
- Smart and Ergonomic features
- Ease of Handling
- Optimised Size

Vorteil

- Sicherheit gemäß ISO 4414, EN 983
- Voller Durchgang, sehr geringer Druckverlust
- Einfache Bedienung, sehr geringe Kuppelkraft
- Kompakte Bauform



Flow Rate vs Pressure Drop Graph

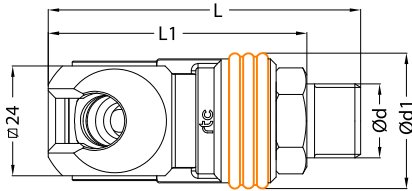


rtc TYPE 463.08

Male thread socket / Kupplung mit Aussengewinde



Socket / Kupplung



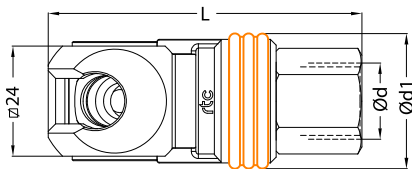
Size / Größe	Alternative Order No Alternative Bestellnr.	Order No / Bestellnr.	Ød	Ød1	L	L1	HEX.
8	R205 00 351	463.08 SMO 13	BSP 1/4	30	69.5	58.5	20
8	R205 00 352	463.08 SMO 17	BSP 3/8	30	69.5	58.5	20
8	R205 00 353	463.08 SMO 21	BSP 1/2	30	71.5	59.5	22
8	R205 00 375	463.08 STO 13	NPT 1/4	30	70.5	56.5	20
8	R205 00 354	463.08 STO 17	NPT 3/8	30	71.5	57.5	20
8	R205 00 355	463.08 STO 21	NPT 1/2	30	78.5	59.5	22

rtc TYPE 463.08

Female thread socket / Kupplung mit Innengewinde



Socket / Kupplung



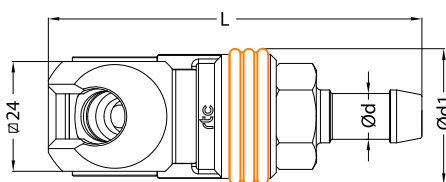
Size / Größe	Alternative Order No Alternative Bestellnr.	Order No / Bestellnr.	Ød	Ød1	L	L1	HEX.
8	R205 00 345	463.08 SFO 13	BSP 1/4	30	68.5	-	20
8	R205 00 346	463.08 SFO 17	BSP 3/8	30	68.5	-	20
8	R205 00 347	463.08 SFO 21	BSP 1/2	30	69.5	-	24
8	R205 00 348	463.08 SNO 13	NPT 1/4	30	68.5	-	20
8	R205 00 349	463.08 SNO 17	NPT 3/8	30	68.5	-	20
8	R205 00 350	463.08 SNO 21	NPT 1/2	30	69.5	-	24

rtc TYPE 463.08

Socket with hose barb / Kupplung mit Schlauchanschluss



Socket / Kupplung



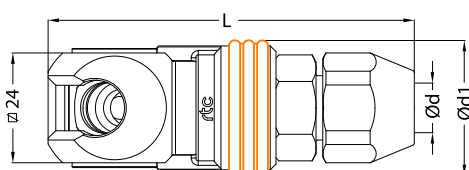
Size / Größe	Alternative Order No Alternative Bestellnr.	Order No / Bestellnr.	Ød	Ød1	L	L1	HEX.
8	R205 00 356	463.08 SHO 08	Ø8 - 5/16	30	79	-	-
8	R205 00 357	463.08 SHO 10	Ø10 - 3/8	30	79	-	-
8	R205 00 358	463.08 SHO 13	Ø13 - 1/2	30	79	-	-

rtc TYPE 463.08

Socket with plastic hose connection / Kupplung mit Kunststoffschlauchanschluss

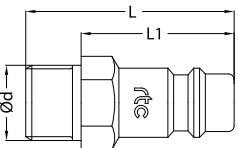


Socket / Kupplung

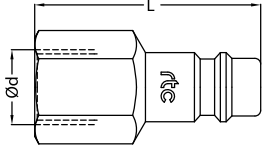


Size / Größe	Alternative Order No Alternative Bestellnr.	Order No / Bestellnr.	Ød	Ød1	L	L1	HEX.
8	R205 00 359	463.08 SVO 0610	6.5x10	30	80	-	22
8	R205 00 360	463.08 SVO 0812	8x12	30	80	-	22
8	R205 00 361	463.08 SVO 1116	11x16	30	84	-	27

Plug with male thread / Nippel mit Aussengewinde TYPE 463.08 

Plug / Nippel	Size / Größe	Alternative Order No Alternative Bestellnr.	Order No / Bestellnr.	Ød	Ød1	L	L1	HEX.
	8	R255 00 023	463.08 PMF 13	BSP 1/4	-	37	26	14
	8	R255 00 024	463.08 PMF 17	BSP 3/8	-	38.5	27.5	19
	8	R255 00 025	463.08 PMF 21	BSP 1/2	-	43	30	22
	8	R255 00 275	463.08 PTF 13	NPT 1/4	-	38	26	14
	8	R255 00 177	463.08 PTF 17	NPT 3/8	-	39.5	27.5	17
	8	R255 00 175	463.08 PTF 21	NPT 1/2	-	47	30	22

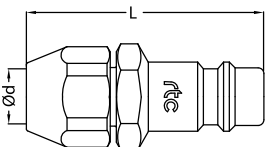
Plug with female thread / Nippel mit Innengewinde TYPE 463.08 

Plug / Nippel	Size / Größe	Alternative Order No Alternative Bestellnr.	Order No / Bestellnr.	Ød	Ød1	L	L1	HEX.
	8	R255 00 026	463.08 PFF 13	BSP 1/4	-	38	-	17
	8	R255 00 027	463.08 PFF 17	BSP 3/8	-	39	-	19
	8	R255 00 028	463.08 PFF 21	BSP 1/2	-	43	-	24
	8	R255 00 276	463.08 PNF 13	NPT 1/4	-	38	-	17
	8	R255 00 178	463.08 PNF 17	NPT 3/8	-	39.5	-	19
	8	R255 00 176	463.08 PNF 21	NPT 1/2	-	44	-	24

Plug with hose barb / Nippel mit Schlauchanschluss TYPE 463.08 

Plug / Nippel	Size / Größe	Alternative Order No Alternative Bestellnr.	Order No / Bestellnr.	Ød	Ød1	L	L1	HEX.
	8	R255 00 029	463.08 PHF 08	Ø8 - 5/16	14	50	-	-
	8	R255 00 030	463.08 PHF 10	Ø10 - 3/8	14	50	-	-
	8	R255 00 031	463.08 PHF 13	Ø13 - 1/2	16	50	-	-

Plug with plastic hose connection / Nippel mit Kunststoffschlauchanschluss TYPE 463.08 

Plug / Nippel	Size / Größe	Alternative Order No Alternative Bestellnr.	Order No / Bestellnr.	Ød	Ød1	L	L1	HEX.
	8	-	463.08 PVF 0610	6.5x10	-	51	-	22
	8	-	463.08 PVF 0812	8x12	-	51	-	22
	8	-	463.08 PVF 1116	11x16	-	52.5	-	27



rtc[®]

COUPLING TECHNOLOGY



464.08

rtc TYPE





Compatible - Kompatibilität

rtc	013
Nitto Kohki	20 & 30 & 40
Cejn	315
Rectus	13

Temperature Range - Temperaturbereich

Nitrile (N)	-20°C + 110°C (- 4°F + 230°F)
FPM (V)	-20°C + 180°C (- 4°F + 356°F)
EPDM (Ethylene Propylene)	-40°C + 150°C (- 40°F + 302°F)

Working Pressure - Betriebsdruck

25 Bar (360 PSI)

Connction / Disconnection Max. Pressure -

Ein und Auskuppelbar bis Max. Druck
15 Bar (220 PSI)

Flow size - Nennweite

rtc type 464.08 8mm (3/8")

Standard version - Standardversion

Seals - Dichtung : Nitrile (N)

**Material of Standard Coupler /
Material für die Standardversion**

Body / Housing - Kupplungsgrundkörper/Gehäuse	Steel tenifer threaded Stahl teneferiert
Inner Part / Cylinder - Innenteil / Zylinder	Surface hardened steel Zinc-nickel plated Stahl gehärtet, Zink-Nickel beschichtet
Back Part - Hinterteil Sleeve -	Steel zinc plated - Stahl verzinkt Zinc diecasted, nickel plated & orange plastic coated
Hülse	Zink-Druckguss, vernickelt und orange Gummi beschichtet
Springs - Federn Seals - Dichtungen	Stainless steel - Edelstahl Nitrile (N)
Plug - Nippel	Surface Hardened Steel, Galvanized Stahl gehärtet, verzinkt

Advantages

- The system perfectly fits to the **ISO 4414, EN 983** safety requirements.
- Through flow, minimum pressure loss.
- Negligible Connecting Force
- Smart and Ergonomic features
- Ease of Handling
- Optimised Size

Vorteil

- Sicherheit gemäß **ISO 4414, EN 983**
- Voller Durchgang, sehr geringer Druckverlust
- Einfache Bedienung, sehr geringe Kuppelkraft
- Kompakte Bauform

Aluminium Version (AL)

- Light weight 75g

Aluminum Version (AL)

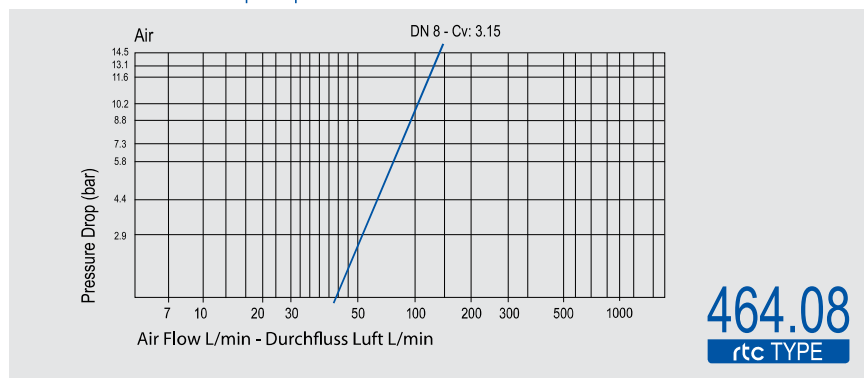
- Geringes Gewicht 75g

**Material of Aluminium Coupler (DL type) /
Material für die Aluminium Version (DL Typ.)**

Body / Housing - Kupplungsgrundkörper/Gehäuse	Aluminium
Inner Part / Cylinder - Innenteil / Zylinder	Surface hardened steel Zinc-nickel plated Stahl gehärtet, Zink-Nickel Beschichtet
Back Part - Hinterteil Sleeve -	Aluminium - Aluminum Zinc diecasted, nickel plated & orange plastic coated
Hülse	Zink-Druckguss, vernickelt & orange Gummi beschichtet
Springs - Federn Seals - Dichtungen	Stainless steel - Edelstahl FPM (V)
Plug - Nippel	Surface Hardened Steel, Galvanized Stahl gehärtet, verzinkt



Flow Rate vs Pressure Drop Graph

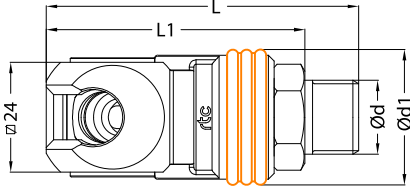


rtc TYPE 464.08

Male thread socket / Kupplung mit Aussengewinde



Socket / Kupplung



Size / Größe	Alternative Order No / Alternative Bestellnr.	Order No / Bestellnr.	Ød	Ød1	L	L1	HEX.
8	R205 00 053	464.08 SMO 13	BSP 1/4	30	69.5	58.5	20
8	R205 00 021	464.08 SMO 17	BSP 3/8	30	69.5	58.5	20
8	R205 00 022	464.08 SMO 21	BSP 1/2	30	71.5	59.5	22
8	R205 00 426	464.08 STO 13	NPT 1/4	30	70.5	56.5	20
8	R205 00 037	464.08 STO 17	NPT 3/8	30	71.5	57.5	20
8	R205 00 038	464.08 STO 21	NPT 1/2	30	78.5	59.5	22
8	R205 00 063	464.08 SMO 13 AL	BSP 3/8	30	69.5	58.5	20
8	R205 00 064	464.08 SMO 17 AL	BSP 1/2	30	69.5	58.5	20
8	R205 00 065	464.08 SMO 21 AL	BSP 3/4	30	71.5	59.5	22
8	R205 00 427	464.08 STO 13 AL	NPT 3/8	30	70.5	56.5	20
8	R205 00 075	464.08 STO 17 AL	NPT 1/2	30	71.5	57.5	20
8	R205 00 076	464.08 STO 21 AL	NPT 3/4	30	78.5	59.5	22

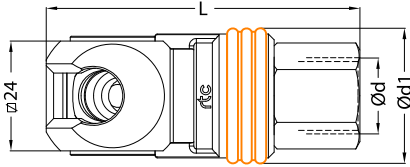
*AL: Aluminium

rtc TYPE 464.08

Female thread socket / Kupplung mit Innengewinde



Socket / Kupplung



Size / Größe	Alternative Order No / Alternative Bestellnr.	Order No / Bestellnr.	Ød	Ød1	L	L1	HEX.
8	R205 00 018	464.08 SFO 13	BSP 1/4	30	68.5	-	20
8	R205 00 019	464.08 SFO 17	BSP 3/8	30	68.5	-	20
8	R205 00 020	464.08 SFO 21	BSP 1/2	30	69.5	-	24
8	R205 00 034	464.08 SNO 13	NPT 1/4	30	68.5	-	20
8	R205 00 035	464.08 SNO 17	NPT 3/8	30	68.5	-	20
8	R205 00 036	464.08 SNO 21	NPT 1/2	30	69.5	-	24
8	R205 00 060	464.08 SFO 13 AL	BSP 3/8	30	68.5	-	20
8	R205 00 061	464.08 SFO 17 AL	BSP 1/2	30	68.5	-	20
8	R205 00 062	464.08 SFO 21 AL	BSP 3/4	30	69.5	-	24
8	R205 00 072	464.08 SNO 13 AL	NPT 3/8	30	68.5	-	20
8	R205 00 073	464.08 SNO 17 AL	NPT 1/2	30	68.5	-	20
8	R205 00 074	464.08 SNO 21 AL	NPT 3/4	30	69.5	-	24

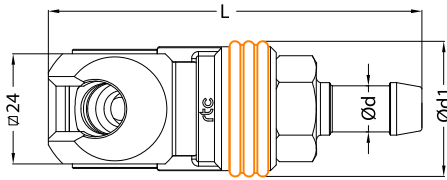
*AL: Aluminium

rtc TYPE 464.08

Socket with hose barb / Kupplung mit Schlauchanschluss



Socket / Kupplung



Size / Größe	Alternative Order No / Alternative Bestellnr.	Order No / Bestellnr.	Ød	Ød1	L	L1	HEX.
8	R205 00 054	464.08 SHO 08	Ø8 - 5/16	30	79	-	-
8	R205 00 055	464.08 SHO 10	Ø10 - 3/8	30	79	-	-
8	R205 00 056	464.08 SHO 13	Ø13 - 1/2	30	79	-	-
8	R205 00 077	464.08 SHO 08 AL	Ø8 - 5/16	30	79	-	-
8	R205 00 078	464.08 SHO 10 AL	Ø10 - 3/8	30	79	-	-
8	R205 00 079	464.08 SHO 13 AL	Ø13 - 1/2	30	79	-	-

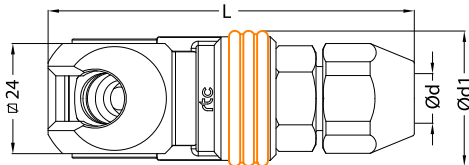
*AL: Aluminium

rtc TYPE 464.08

Socket with plastic hose connection / Kupplung mit Kunststoffschlauchanschluss



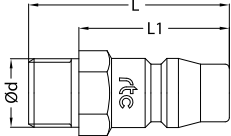
Socket / Kupplung



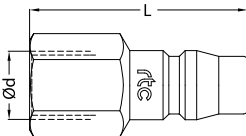
Size / Größe	Alternative Order No / Alternative Bestellnr.	Order No / Bestellnr.	Ød	Ød1	L	L1	HEX.
8	R205 00 057	464.08 SVO 0610	6.5x10	30	80	-	22
8	R205 00 058	464.08 SVO 0812	8.0x12	30	80	-	22
8	R205 00 059	464.08 SVO 1116	11x16	30	84	-	27
8	R205 00 080	464.08 SVO 0610 AL	6.5x10	30	80	-	22
8	R205 00 081	464.08 SVO 0812 AL	8x12	30	80	-	22
8	R205 00 082	464.08 SVO 1116 AL	11x16	30	84	-	27

*AL: Aluminium

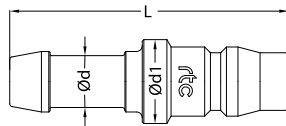
Plug with male thread / Nippel mit Aussengewinde TYPE 464.08 **rtc**

Plug / Nippel	Size / Größe	Alternative Order No Alternative Bestellnr.	Order No / Bestellnr.	Ød	Ød1	L	L1	HEX.
	8	R255 00 032	464.08 PMF 13	BSP 1/4	-	41	30	14
	8	R255 00 033	464.08 PMF 17	BSP 3/8	-	43	32	19
	8	R255 00 034	464.08 PMF 21	BSP 1/2	-	47	33	24
	8	R255 00 058	464.08 PTF 13	NPT 1/4	-	42	30	14
	8	R255 00 059	464.08 PTF 17	NPT 3/8	-	44	32	19
	8	R255 00 060	464.08 PTF 21	NPT 1/2	-	50	33	22

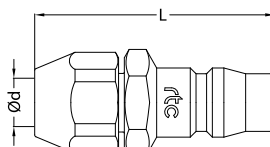
Plug with female thread / Nippel mit Innengewinde TYPE 464.08 **rtc**

Plug / Nippel	Size / Größe	Alternative Order No Alternative Bestellnr.	Order No / Bestellnr.	Ød	Ød1	L	L1	HEX.
	8	R255 00 035	464.08 PFF 13	BSP 1/4	-	43	-	17
	8	R255 00 036	464.08 PFF 17	BSP 3/8	-	44	-	19
	8	R255 00 037	464.08 PFF 21	BSP 1/2	-	48.5	-	27
	8	R255 00 061	464.08 PNF 13	NPT 1/4	-	43	-	17
	8	R255 00 062	464.08 PNF 17	NPT 3/8	-	44	-	22
	8	R255 00 063	464.08 PNF 21	NPT 1/2	-	49	-	27

Plug with hose barb / Nippel mit Schlauchanschluss TYPE 464.08 **rtc**

Plug / Nippel	Size / Größe	Alternative Order No Alternative Bestellnr.	Order No / Bestellnr.	Ød	Ød1	L	L1	HEX.
	8	R255 00 038	464.08 PHF 08	Ø8 - 5/16	14	51	-	-
	8	R255 00 039	464.08 PHF 10	Ø10 - 3/8	14	51	-	-
	8	R255 00 040	464.08 PHF 13	Ø13 - 1/2	16	51	-	-

Plug with plastic hose connection / Nippel mit Kunststoffschlauchanschluss TYPE 464.08 **rtc**

Plug / Nippel	Size / Größe	Alternative Order No Alternative Bestellnr.	Order No / Bestellnr.	Ød	Ød1	L	L1	HEX.
	8	-	464.08 PVF 0610	6.5x10	-	52	-	22
	8	-	464.08 PVF 0812	8x12	-	52	-	22
	8	-	464.08 PVF 1116	11x16	-	56	-	27



rtc[®]

COUPLING TECHNOLOGY



465.08

rtc TYPE





Compatible - Kompatibilität

rtc	095
rtc	096 (Coupling Only)
Cejn	342 (Coupling Only)
Cejn	344
Rectus	95KS
Rectus	96KS (Coupling Only)

Temperature Range - Temperaturbereich

Nitrile (N)	-20°C + 110°C (-4°F + 230°F)
FPM (V)	-20°C + 180°C (-4°F + 356°F)
EPDM (Ethylene Propylene)	-40°C + 150°C (-40°F + 302°F)

Working Pressure - Betriebsdruck

25 Bar (360 PSI)

Connction / Disconnection Max. Pressure -

Ein und Auskuppelbar bis Max. Druck

15 Bar (220 PSI)

Flow size - Nennweite

rtc type 465.08 7.8mm (3/8")

Standard version - Standardversion

Seals - Dichtung : Nitrile (N)

Material of Standard Coupler / Material für die Standardversion

Body / Housing - Kupplungsgrundkörper/Gehäuse	Brass chrome plated - Messing verchromt
Inner Part / Cylinder - Innenteil / Zylinder	Brass chrome plated - Messing verchromt
Back Part - Hinterteil	Brass chrome plated - Messing verchromt
Sleeve - Hülse	Zinc diecasted, nickel plated & orange plastic coated Zink-Druckguss, vernickelt und orange Gummi beschichtet
Springs - Federn	Stainless steel - Edelstahl
Seals - Dichtungen	Nitrile (N)
Plug - Nippel	Brass, chrome plated Messing, verchromt

Advantages

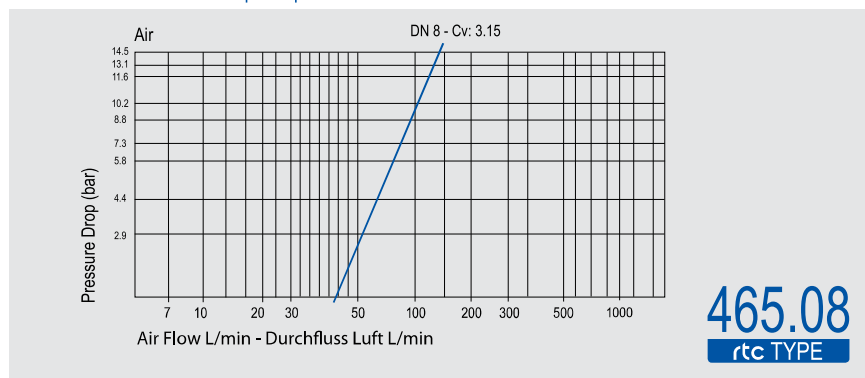
- The system perfectly fits to the **ISO 4414, EN 983** safety requirements.
- Through flow, minimum pressure loss.
- Negligible Connecting Force
- Smart and Ergonomic features
- Ease of Handling
- Optimised Size

Vorteil

- Sicherheit gemäß **ISO 4414, EN 983**
- Voller Durchgang, sehr geringer Druckverlust
- Einfache Bedienung, sehr geringe Kuppelkraft
- Kompakte Bauform



Flow Rate vs Pressure Drop Graph

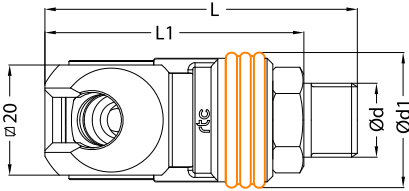


rtc TYPE 465.08

Male thread socket / Kupplung mit Aussengewinde



Socket / Kupplung



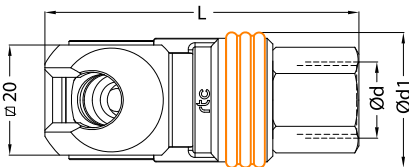
Size / Größe	Alternative Order No Alternative Bestellnr.	Order No / Bestellnr.	Ød	Ød1	L	L1	HEX.
8	R205 00 739	465.08 SMO 13	BSP 1/4	25	59.5	48.5	19
8	R205 00 717	465.08 SMO 17	BSP 3/8	25	59.5	48.5	19
8	-	465.08 SMO 21	BSP 1/2	25	61.5	49.5	22
8	R205 00 740	465.08 STO 13	NPT 1/4	25	60.5	48.5	19
8	R205 00 699	465.08 STO 17	NPT 3/8	25	62.5	48.5	19
8	-	465.08 STO 21	NPT 1/2	25	68.5	49.5	22

rtc TYPE 465.08

Female thread socket / Kupplung mit Innengewinde



Socket / Kupplung



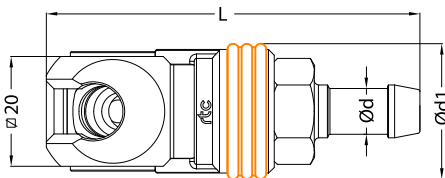
Size / Größe	Alternative Order No Alternative Bestellnr.	Order No / Bestellnr.	Ød	Ød1	L	L1	HEX.
8	R205 00 738	465.08 SFO 13	BSP 1/4	25	56.5	-	19
8	R205 00 691	465.08 SFO 17	BSP 3/8	25	58.5	-	19
8	-	465.08 SFO 21	BSP 1/2	25	60.5	-	24
8	R205 00 696	465.08 SNO 13	NPT 1/4	25	57.5	-	19
8	R205 00 697	465.08 SNO 17	NPT 3/8	25	59.5	-	20
8	-	465.08 SNO 21	NPT 1/2	25	65.5	-	24

rtc TYPE 465.08

Socket with hose barb / Kupplung mit Schlauchanschluss

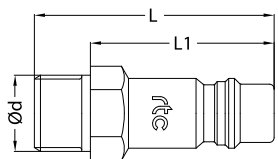


Socket / Kupplung

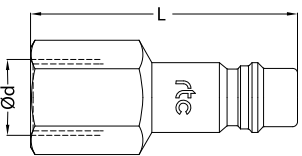


Size / Größe	Alternative Order No Alternative Bestellnr.	Order No / Bestellnr.	Ød	Ød1	L	L1	HEX.
8	R205 00 741	465.08 SHO 06	Ø6 - 1/4	25	69	-	-
8	R205 00 671	465.08 SHO 08	Ø8 - 5/16	25	69	-	-
8	R205 00 698	465.08 SHO 10	Ø10 - 3/8	25	69	-	-
8	R205 00 742	465.08 SHO 13	Ø13 - 1/2	25	69	-	-

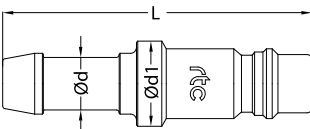
Plug with male thread / Nippel mit Aussengewinde TYPE 465.08 **rtc**

Plug / Nippel	Size / Größe	Alternative Order No Alternative Bestellnr.	Order No / Bestellnr.	Ød	Ød1	L	L1	HEX.
	8	R255 00 420	465.08 PMF 13	BSP 1/4	-	42	31	14
	8	R255 00 421	465.08 PMF 17	BSP 3/8	-	43.5	32.5	19
	8	R255 00 422	465.08 PMF 21	BSP 1/2	-	48	35	22
	8	R255 00 433	465.08 PTF 13	NPT 1/4	-	43	31	14
	8	R255 00 434	465.08 PTF 17	NPT 3/8	-	44.5	32.5	17
	8	-	465.08 PTF 21	NPT 1/2	-	52	35	22

Plug with female thread / Nippel mit Innengewinde TYPE 465.08 **rtc**

Plug / Nippel	Size / Größe	Alternative Order No Alternative Bestellnr.	Order No / Bestellnr.	Ød	Ød1	L	L1	HEX.
	8	R255 00 423	465.08 PFF 13	BSP 1/4	-	43	-	17
	8	R255 00 424	465.08 PFF 17	BSP 3/8	-	44	-	19
	8	R255 00 425	465.08 PFF 21	BSP 1/2	-	48	-	24
	8	R255 00 435	465.08 PNF 13	NPT 1/4	-	43	-	17
	8	R255 00 430	465.08 PNF 17	NPT 3/8	-	44.5	-	19
	8	-	465.08 PNF 21	NPT 1/2	-	49	-	24

Plug with hose barb / Nippel mit Schlauchanschluss TYPE 465.08 **rtc**

Plug / Nippel	Size / Grosse	Alternative Order No Alternative Bestellnr.	Order No / Bestellnr.	Ød	Ød1	L	L1	HEX.
	8	R255 00 426	465.08 PHF 06	Ø6 - 1/4	14	55	-	-
	8	R255 00 418	465.08 PHF 08	Ø8 - 5/16	14	55	-	-
	8	R255 00 427	465.08 PHF 10	Ø10 - 3/8	14	55	-	-
	8	R255 00 428	465.08 PHF 13	Ø13 - 1/2	16	55	-	-



rtc[®]

COUPLING TECHNOLOGY



466.06

rtc TYPE





Compatible - Kompatibilität

rtc	019
PCL	AC21 & AC29 & AC91
Rectus	19

Temperature Range - Temperaturbereich

Nitrile (N)	-20°C + 110°C (-4°F + 230°F)
FPM (V)	-20°C + 180°C (-4°F + 356°F)
EPDM (Ethylene Propylene)	-40°C + 150°C (-40°F + 302°F)

Working Pressure - Betriebsdruck

25 Bar (360 PSI)

Connction / Disconnection Max. Pressure -

Ein- und Auskuppelbar bis Max. Druck

15 Bar (220 PSI)

Flow size - Nennweite

rtc type 466.06 6mm (1/4")

Standard version - Standardversion

Seals - Dichtung : Nitrile (N)

Material of Standard Coupler / Material für die Standardversion

Body / Housing - Kupplungsgrundkörper/Gehäuse	Steel tenifer threated Stahl teneferiert
Inner Part / Cylinder - Innenteil / Zylinder	Surface hardened steel Zinc-nickel plated Stahl gehärtet, Zink-Nickel beschichtet
Back Part - Hinterteil Sleeve -	Steel zinc plated - Stahl verzinkt Zinc diecasted, nickel plated & orange plastic coated
Hülse	Zinc-Druckguss, vernickelt und orange Gummi beschichtet
Springs - Federn	Stainless steel - Edelstahl
Seals - Dichtungen	Nitrile (N)
Plug - Nippel	Surface Hardened Steel, Galvanized Stahl gehärtet, verzinkt

Advantages

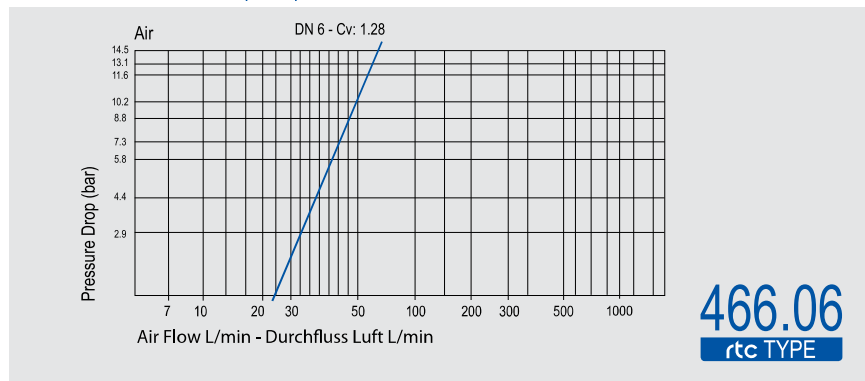
- The system perfectly fits to the **ISO 4414**, **EN 983** safety requirements.
- Through flow, minimum pressure loss.
- Negligible Connecting Force
- Smart and Ergonomic features
- Ease of Handling
- Optimised Size

Vorteil

- Sicherheit gemäß **ISO 4414**, **EN 983**
- Voller Durchgang, sehr geringer Druckverlust
- Einfache Bedienung, sehr geringe Kuppelkraft
- Kompakte Bauform



Flow Rate vs Pressure Drop Graph



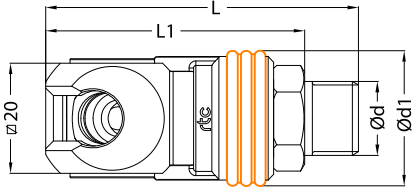
466.06
rtc TYPE

rtc TYPE 466.06

Male thread socket / Kupplung mit Aussengewinde



Socket / Kupplung



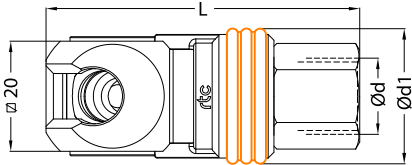
Size / Größe	Alternative Order No Alternative Bestellnr.	Order No / Bestellnr.	Ød	Ød1	L	L1	HEX.
6	R205 00 434	466.06 SMO 13	BSP 1/4	25	59.5	48.5	19
6	R205 00 441	466.06 SMO 17	BSP 3/8	25	59.5	48.5	19
6	R205 00 442	466.06 SMO 21	BSP 1/2	25	61.5	49.5	22
6	-	466.06 STO 13	NPT 1/4	25	60.5	48.5	19
6	-	466.06 STO 17	NPT 3/8	25	62.5	48.5	19
6	-	466.06 STO 21	NPT 1/2	25	68.5	49.5	22

rtc TYPE 466.06

Female thread socket / Kupplung mit Innengewinde



Socket / Kupplung



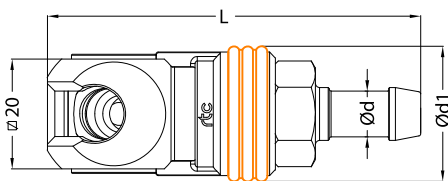
Size / Größe	Alternative Order No Alternative Bestellnr.	Order No / Bestellnr.	Ød	Ød1	L	L1	HEX.
6	R205 00 438	466.06 SFO 13	BSP 1/4	25	56.5	-	19
6	R205 00 439	466.06 SFO 17	BSP 3/8	25	58.5	-	19
6	R205 00 440	466.06 SFO 21	BSP 1/2	25	60.5	-	24
6	-	466.06 SNO 13	NPT 1/4	25	57.5	-	19
6	-	466.06 SNO 17	NPT 3/8	25	59.5	-	20
6	-	466.06 SNO 21	NPT 1/2	25	65.5	-	24

rtc TYPE 466.06

Socket with hose barb / Kupplung mit Schlauchanschluss



Socket / Kupplung



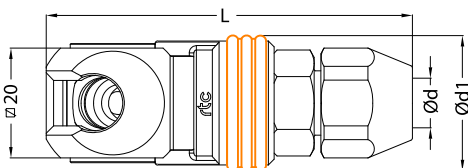
Size / Größe	Alternative Order No Alternative Bestellnr.	Order No / Bestellnr.	Ød	Ød1	L	L1	HEX.
6	R205 00 443	466.06 SHO 06	Ø6 - 1/4	25	69	-	-
6	R205 00 444	466.06 SHO 08	Ø8 - 5/16	25	69	-	-
6	R205 00 445	466.06 SHO 10	Ø10 - 3/8	25	69	-	-

rtc TYPE 466.06

Socket with plastic hose connection / Kupplung mit Kunststoffschlauchanschluss



Socket / Kupplung



Size / Größe	Alternative Order No Alternative Bestellnr.	Order No / Bestellnr.	Ød	Ød1	L	L1	HEX.
6	-	466.06 SVO 0610	6.5x10	25	70	-	22
6	-	466.06 SVO 0812	8x12	25	70	-	22

Plug with male thread / Nippel mit Aussengewinde TYPE 466.06 **rtc**

Plug / Nippel	Size / Größe	Alternative Order No Alternative Bestellnr.	Order No / Bestellnr.	Ød	Ød1	L	L1	HEX.
	6	-	466.06 PMF 10	BSP 1/8	-	49	41	14
	6	R255 00 320	466.06 PMF 13	BSP 1/4	-	53	42	14
	6	R255 00 321	466.06 PMF 17	BSP 3/8	-	55.5	44.5	17

Plug with female thread / Nippel mit Innengewinde TYPE 466.06 **rtc**

Plug / Nippel	Size / Größe	Alternative Order No Alternative Bestellnr.	Order No / Bestellnr.	Ød	Ød1	L	L1	HEX.
	6	-	466.06 PFF 10	BSP 1/8	-	49	-	14
	6	R255 00 318	466.06 PFF 13	BSP 1/4	-	55	-	17
	6	R255 00 319	466.06 PFF 17	BSP 3/8	-	57.5	-	19

Plug with hose barb / Nippel mit Schlauchanschluss TYPE 466.06 **rtc**

Plug / Nippel	Size / Größe	Alternative Order No Alternative Bestellnr.	Order No / Bestellnr.	Ød	Ød1	L	L1	HEX.
	6	R255 00 322	466.06 PHF 06	Ø6 - 1/4	14	63	-	-
	6	R255 00 323	466.06 PHF 08	Ø8 - 5/16	14	63	-	-
	6	R255 00 324	466.06 PHF 10	Ø10 - 3/8	14	63	-	-



rtc[®]

COUPLING TECHNOLOGY



467.06

rtc TYPE





Compatible - Kompatibilität

Imopac CD25, -S, -N

Temperature Range - Temperaturbereich

Nitrile (N) -20°C + 110°C (-4°F + 230°F)
FPM (V) -20°C + 180°C (-4°F + 356°F)
EPDM (Ethylene Propylene) -40°C + 150°C (-40°F + 302°F)

Working Pressure - Betriebsdruck

25 Bar (360 PSI)

Connction / Disconnection Max. Pressure -

Ein- und Auskuppelbar bis Max. Druck

15 Bar (220 PSI)

Flow size - Nennweite

rtc type 467.06 5.5mm (1/4")

Standard version - Standardversion

Seals - Dichtung : Nitrile (N)

Material of Standard Coupler / Material für die Standardversion

Body / Housing - Kupplungsgrundkörper/Gehäuse	Steel tenifer threaded Stahl teneferiert
Inner Part / Cylinder - Innenteil / Zylinder	Surface hardened steel Zinc-nickel plated Stahl gehärtet, Zink-Nickel beschichtet
Back Part - Hinterteil Sleeve -	Steel zinc plated - Stahl verzinkt Zinc diecasted, nickel plated & orange plastic coated
Hülse	Zink-Druckguss, vernickelt und orange Gummi beschichtet
Springs - Federn	Stainless steel - Edelstahl
Seals - Dichtungen	Nitrile (N)
Plug - Nippel	Surface Hardened Steel, Galvanized Stahl gehärtet, verzinkt

Advantages

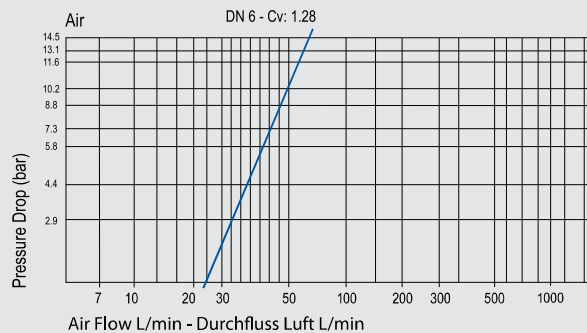
- The system perfectly fits to the ISO 4414, EN 983 safety requirements.
- Through flow, minimum pressure loss.
- Negligible Connecting Force
- Smart and Ergonomic features
- Ease of Handling
- Optimised Size

Vorteil

- Sicherheit gemäß ISO 4414, EN 983
- Voller Durchgang, sehr geringer Druckverlust
- Einfache Bedienung, sehr geringe Kuppelkraft
- Kompakte Bauform



Flow Rate vs Pressure Drop Graph / Durchflussrate vs Druckabfall



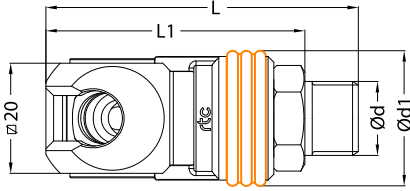
467.06
rtc TYPE

rtc TYPE 467.06

Male thread socket / Kupplung mit Aussengewinde



Socket / Kupplung



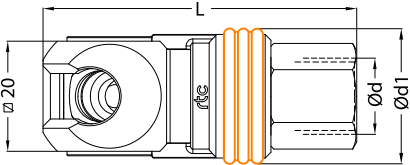
Size / Größe	Alternative Order No Alternative Bestellnr.	Order No / Bestellnr.	Ød	Ød1	L	L1	HEX.
6	R205 00 729	467.06 SMO 13	BSP 1/4	25	59.5	48.5	19
6	R205 00 730	467.06 SMO 17	BSP 3/8	25	59.5	48.5	19
6	R205 00 731	467.06 SMO 21	BSP 1/2	25	61.5	49.5	22
6	-	467.06 STO 13	NPT 1/4	25	60.5	48.5	19
6	-	467.06 STO 17	NPT 3/8	25	62.5	48.5	19
6	-	467.06 STO 21	NPT 1/2	25	68.5	49.5	22

rtc TYPE 467.06

Female thread socket / Kupplung mit Innengewinde



Socket / Kupplung



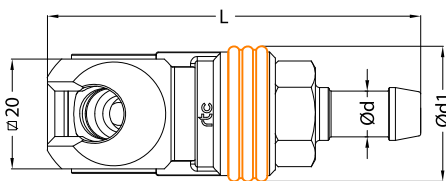
Size / Größe	Alternative Order No Alternative Bestellnr.	Order No / Bestellnr.	Ød	Ød1	L	L1	HEX.
6	R205 00 726	467.06 SFO 13	BSP 1/4	25	56.5	-	19
6	R205 00 727	467.06 SFO 17	BSP 3/8	25	58.5	-	19
6	R205 00 728	467.06 SFO 21	BSP 1/2	25	60.5	-	24
6	-	467.06 SNO 13	NPT 1/4	25	57.5	-	19
6	-	467.06 SNO 17	NPT 3/8	25	59.5	-	20
6	-	467.06 SNO 21	NPT 1/2	25	65.5	-	24

rtc TYPE 467.06

Socket with hose barb / Kupplung mit Schlauchanschluss



Socket / Kupplung



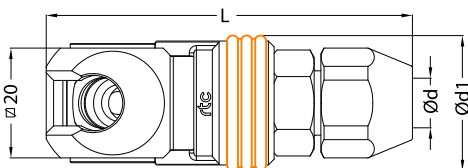
Size / Größe	Alternative Order No Alternative Bestellnr.	Order No / Bestellnr.	Ød	Ød1	L	L1	HEX.
6	R205 00 732	467.06 SHO 06	Ø6 - 1/4	25	69	-	-
6	R205 00 733	467.06 SHO 08	Ø8 - 5/16	25	69	-	-
6	R205 00 734	467.06 SHO 10	Ø10 - 3/8	25	69	-	-

rtc TYPE 467.06

Socket with plastic hose connection / Kupplung mit Kunststoffschlauchanschluss

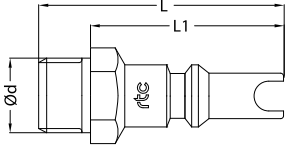


Socket / Kupplung

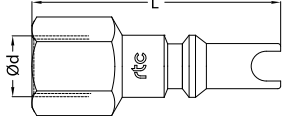


Size / Größe	Alternative Order No Alternative Bestellnr.	Order No / Bestellnr.	Ød	Ød1	L	L1	HEX.
6	R205 00 735	467.06 SVO 0610	6.5x10	25	70	-	22
6	R205 00 736	467.06 SVO 0812	8x12	25	70	-	22

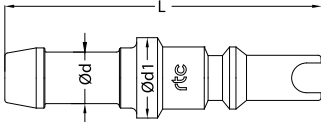
Plug with male thread / Nippel mit Aussengewinde TYPE 467.06 **rtc**

Plug / Nippel	Size / Größe	Alternative Order No Alternative Bestellnr.	Order No / Bestellnr.	Ød	Ød1	L	L1	HEX.
	6	-	467.06 PMF 13	BSP 1/4	-	41	30	14
	6	-	467.06 PMF 17	BSP 3/8	-	42	30	17

Plug with female thread / Nippel mit Innengewinde TYPE 467.06 **rtc**

Plug / Nippel	Size / Größe	Alternative Order No Alternative Bestellnr.	Order No / Bestellnr.	Ød	Ød1	L	L1	HEX.
	6	-	467.06 PFF 13	BSP 1/4	-	40	-	17
	6	-	467.06 PFF 17	BSP 3/8	-	42	-	20

Plug with hose barb / Nippel mit Schlauchanschluss TYPE 467.06 **rtc**

Plug / Nippel	Size / Größe	Alternative Order No Alternative Bestellnr.	Order No / Bestellnr.	Ød	Ød1	L	L1	HEX.
	6	-	467.06 PHF 08	Ø8 - 5/16	14	47	-	-
	6	-	467.06 PHF 10	Ø10 - 3/8	14	52	-	-



rtc[®]

COUPLING TECHNOLOGY



468.08

rtc TYPE





Compatible - Kompatibilität

rtc	033
Rectus	33
Atlas Copco	QIC10

Temperature Range - Temperaturbereich

Nitrile (N)	-20°C + 110°C (- 4°F + 230°F)
FPM (V)	-20°C + 180°C (- 4°F + 356°F)
EPDM (Ethylene Propylene)	-40°C + 150°C (- 40°F + 302°F)

Working Pressure - Betriebsdruck

25 Bar (360 PSI)

Connction / Disconnection Max. Pressure -

Ein- und Auskuppelbar bis Max. Druck
15 Bar (220 PSI)

Flow size - Nennweite

rtc type 468.08 8mm (3/8")

Standard version - Standardversion

Seals - Dichtung : Nitrile (N)

Material of Standard Coupler / Material für die Standardversion

Body / Housing - Kupplungsgrundkörper/Gehäuse	Steel tenifer threaded Stahl teneferiert
Inner Part / Cylinder -	Surface hardened steel Zinc-nickel plated
Innenteil / Zylinder	Stahl gehärtet, Zink-Nickel beschichtet
Back Part - Hinterteil	Steel zinc plated - Stahl verzinkt
Sleeve -	Zinc diecasted, nickel plated & orange plastic coated
Hülse	Zink-Druckguss, vernickelt und orange Gummi beschichtet
Springs - Federn	Stainless steel - Edelstahl
Seals - Dichtungen	Nitrile (N)
Plug -	Surface Hardened Steel, Galvanized
Nippel	Stahl gehärtet, verzinkt

Advantages

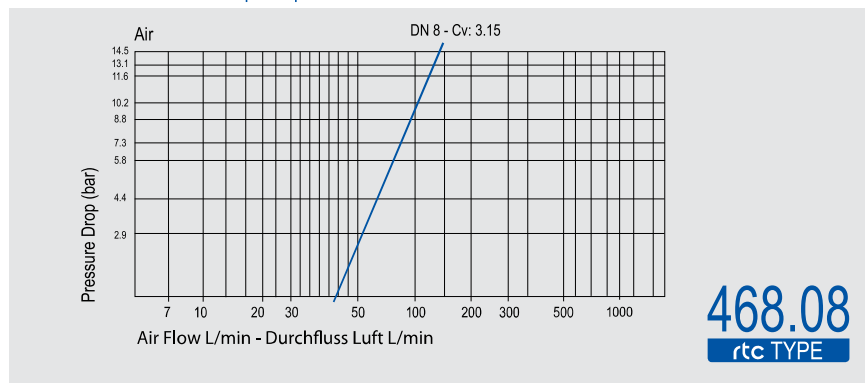
- The system perfectly fits to the ISO 4414, EN 983 safety requirements.
- Through flow, minimum pressure loss.
- Negligible Connecting Force
- Smart and Ergonomic features
- Ease of Handling
- Optimised Size

Vorteil

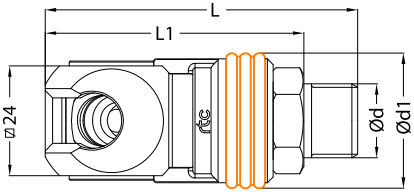
- Sicherheit gemäß ISO 4414, EN 983
- Voller Durchgang, sehr geringer Druckverlust
- Einfache Bedienung, sehr geringe Kuppelkraft
- Kompakte Bauform



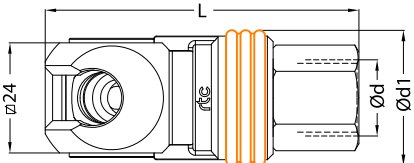
Flow Rate vs Pressure Drop Graph



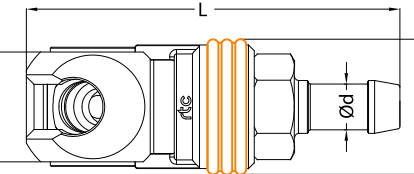
rtc TYPE 468.08 Male thread socket / Kupplung mit Aussengewinde 

Socket / Kupplung	Size / Größe	Alternative Order No Alternative Bestellnr.	Order No / Bestellnr.	Ød	Ød1	L	L1	HEX.
	8	-	468.08 SMO 13	BSP 1/4	30	69.5	58.5	20
	8	-	468.08 SMO 17	BSP 3/8	30	69.5	58.5	20
	8	-	468.08 SMO 21	BSP 1/2	30	71.5	59.5	22
	8	-	468.08 STO 13	NPT 1/4	30	70.5	56.5	20
	8	-	468.08 STO 17	NPT 3/8	30	71.5	57.5	20
	8	-	468.08 STO 21	NPT 1/2	30	78.5	59.5	22

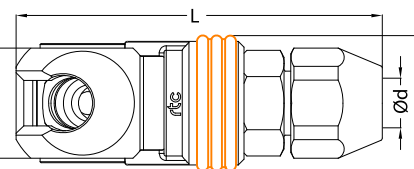
rtc TYPE 468.08 Female thread socket / Kupplung mit Innengewinde 

Socket / Kupplung	Size / Größe	Alternative Order No Alternative Bestellnr.	Order No / Bestellnr.	Ød	Ød1	L	L1	HEX.
	8	-	468.08 SFO 13	BSP 1/4	30	68.5	-	20
	8	-	468.08 SFO 17	BSP 3/8	30	68.5	-	20
	8	-	468.08 SFO 21	BSP 1/2	30	69.5	-	24
	8	-	468.08 SNO 13	NPT 1/4	30	68.5	-	20
	8	-	468.08 SNO 17	NPT 3/8	30	68.5	-	20
	8	-	468.08 SNO 21	NPT 1/2	30	69.5	-	24

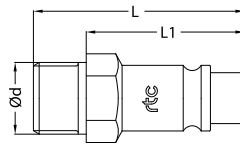
rtc TYPE 468.08 Socket with hose barb / Kupplung mit Schlauchanschluss 

Socket / Kupplung	Size / Größe	Alternative Order No Alternative Bestellnr.	Order No / Bestellnr.	Ød	Ød1	L	L1	HEX.
	8	-	468.08 SHO 06	Ø6 - 1/4	30	79	-	-
	8	-	468.08 SHO 08	Ø8 - 5/16	30	79	-	-
	8	-	468.08 SHO 10	Ø10 - 3/8	30	79	-	-
	8	-	468.08 SHO 13	Ø13 - 1/2	30	79	-	-

rtc TYPE 468.08 Socket with plastic hose connection / Kupplung mit Kunststoffschlauchanschluss 

Socket / Kupplung	Size / Größe	Alternative Order No Alternative Bestellnr.	Order No / Bestellnr.	Ød	Ød1	L	L1	HEX.
	8	-	468.08 SVO 0610	6.5x10	30	80	-	22
	8	-	468.08 SVO 0812	8x12	30	80	-	22
	8	-	468.08 SVO 1116	11x16	30	84	-	27

rtc TYPE 468.08 Plug with male thread / Nippel mit Aussengewinde 

Plug / Nippel	Size / Größe	Alternative Order No Alternative Bestellnr.	Order No / Bestellnr.	Ød	Ød1	L	L1	HEX.
	8	-	468.08 PRF 13	BSPT 1/4	-	41.5	29.5	14
	8	-	468.08 PRF 17	BSPT 3/8	-	43	31	19
	8	-	468.08 PRF 21	BSPT 1/2	-	50.5	33.5	22
	8	-	468.08 PTF 13	NPT 1/4	-	41.5	29.5	14
	8	-	468.08 PTF 17	NPT 3/8	-	43	31	19
	8	-	468.08 PTF 21	NPT 1/2	-	50.5	33.5	22

Plug with female thread / Nippel mit Innengewinde TYPE 468.08

Plug / Nippel	Size / Größe	Alternative Order No Alternative Bestellnr.	Order No / Bestellnr.	Ød	Ød1	L	L1	HEX.
	8	-	468.08 PFF 13	BSP 1/4	-	41.5	-	17
	8	-	468.08 PFF 17	BSP 3/8	-	43	-	19
	8	-	468.08 PFF 21	BSP 1/2	-	47	-	24
	8	-	468.08 PNF 13	BSP 1/4	-	41.5	-	17
	8	-	468.08 PNF 17	BSP 3/8	-	43	-	19
	8	-	468.08 PNF 21	BSP 1/2	-	47	-	24

Plug with hose barb / Nippel mit Schlauchanschluss TYPE 468.08

Plug / Nippel	Size / Größe	Alternative Order No Alternative Bestellnr.	Order No / Bestellnr.	Ød	Ød1	L	L1	HEX.
	8	-	468.08 PHF 06	Ø6 - 1/4	14	50	-	-
	8	-	468.08 PHF 08	Ø8 - 5/16	14	53	-	-
	8	-	468.08 PHF 10	Ø10 - 3/8	16	53	-	-
	8	-	468.08 PHF 13	Ø13 - 1/2	16	53	-	-

Coupling head protective cover - Schutzhauben für Schwenkkupplungen TYPE HPC

	Suitable for series Geeignet für Serien	Alternative Order No Alternative Bestellnr.	Order No / Bestellnr.	☑
Material: Polyamide Werkstoff: Polyamid 	462.06 / 460.06 / 461.06 / 465.08 / 466.06 / 467.06	R295 00 385	HPC 0620	20
	463.08 / 464.08 / 460.08 / 461.08	R295 00 340	HPC 0825	25
	460.11 / 461.11	R295 00 531	HPC 1130	30



Coupling body protective cover - Schutzhülsen für Schwenkkupplungen TYPE BPC

	Suitable for series Geeignet für Serien	Alternative Order No Alternative Bestellnr.	Order No / Bestellnr.	☑
Material: Vinyl Werkstoff: Vinyl 	462.06 / 460.06 / 461.06 / 465.08 / 466.06 / 467.06	R295 00 480	BPC 0620	20
	463.08 / 464.08 / 460.08 / 461.08	R295 00 481	BPC 0825	25
	460.11 / 461.11	R295 00 482	BPC 1130	30



Plastic hose protective spiral guard - Knickschutz für Spiralschlauch TYPE HGS

	Alternative Order No Alternative Bestellnr.	Order No / Bestellnr.	Ød
Material: Polyamide Werkstoff: Polyamid 	-	HGS 0610	6.5x10
	R295 00 337	HGS 0812	8x12
	R295 00 401	HGS 1116	11x16



Water Multi Coupling For
European Plug Profile

rtc[®]

COUPLING TECHNOLOGY



M090

rtc TYPE

rtc Multicoupling systems
rtc Multikupplungssysteme type M090



rtc Multicoupling systems / rtc Multikupplungssysteme type M090



Type	Max. Working Pressure Max. Betriebsdruck	Flow size Nennweite	Connections Anschlüsse	Circuits Kreislauf
rtc M090.09	16 bar	09	6 / 8 / 10 / 12 / 16 / 20 / 24	3 / 4 / 5 / 6 / 8 / 10 / 12
<p>Temperature Range - Temperaturbereich</p> <p>For oil / bei Öl -10°C +200°C (+14°F +392°F) FPM (V)</p> <p>For water / bei Wasser -10°C +160°C (+14°F +320°F) FPM (V)</p>				



Specification

Connecting and disconnecting the circuits in one operation for quick mold change

Colour coded plates for circuit definition

Eigenschaften

Verbinden und Trennen von mehreren Kreisläufen in einem Arbeitsgang für das schnelle Rüsten

Kennzeichnung von Zu- und Rücklauf durch farbige Platten

Applications

Aluminium die casting

Test units

Plastics industry / cooling heating

Anwendungen

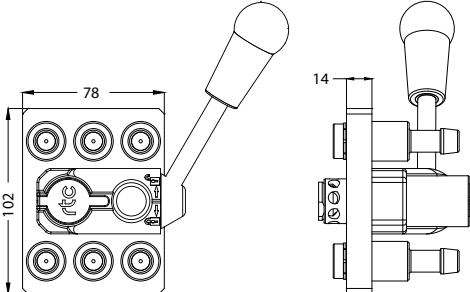
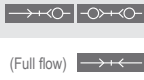

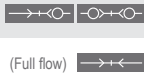



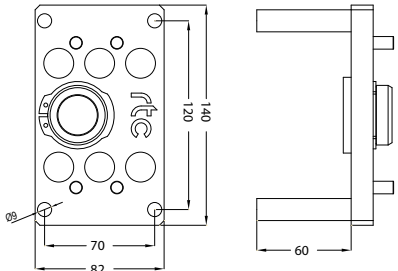

Aluminiumdruckguß

Prüfstände

Kunststoffindustrie / Mehrkreistemperierung / Kühlen Temperieren

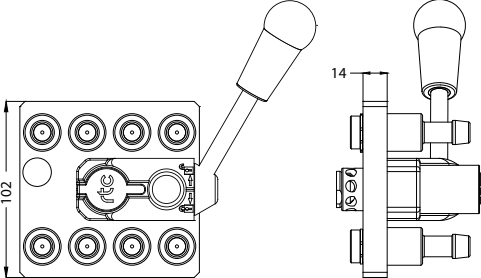









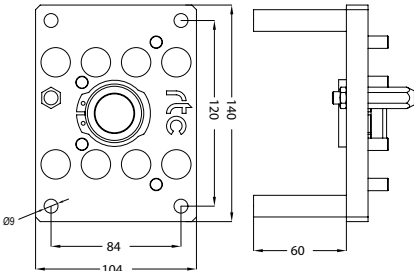

rtc TYPE M 090.09

Flow diameter 9 mm / Nennweite 9 mm

TYPE M 090.09	Mobile side / Versorgerseite		Item code / Artikelnummer	
<p>3 ↔ 3</p> 	<p>Standard hose Schlauchanschluss</p>	 <p>Ø10 Ø12 Ø10 Ø12</p>	<p>M 090.09-06 SHB 10 M 090.09-06 SHB 12 M 090.09-06 SHF 10 M 090.09-06 SHF 12</p>	
		<p>Push to connect Steckschlauchanschluss</p>	 <p>Ø10 Ø13 Ø10 Ø13</p>	<p>M 090.09-06 SPB 10 M 090.09-06 SPB 13 M 090.09-06 SPF 10 M 090.09-06 SPF 13</p>
		<p>Female thread Innengewinde</p>	 <p>BSP 3/8 NPT 3/8 BSP 3/8 NPT 3/8</p>	<p>M 090.09-06 SFB 17 M 090.09-06 SNB 17 M 090.09-06 SFF 17 M 090.09-06 SNF 17</p>
	TYPE K 090.09	Mould side / Abnehmerseite		Item code / Artikelnummer
<p>3 ↔ 3</p> 	Plate for 6 lines / Platte für 6 Anschlüsse		K 090.09-06	
				

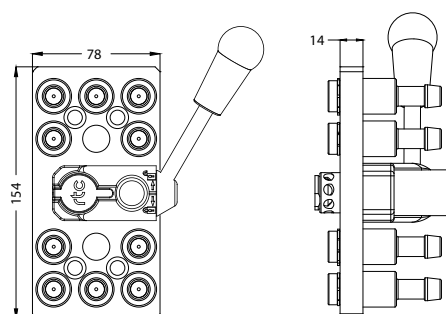









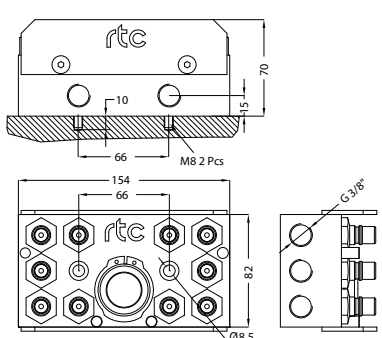

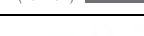

Flow diameter 9 mm / Nennweite 9 mm

TYPE M 090.09 **rtc**

TYPE M 090.09	Mobile side / Versorgerseite		Item code / Artikelnummer
<p>4 ↔ 4</p> 	<p>Standard hose Schlauchanschluss</p>  <p>(Full flow) </p>	<p>Ø10 Ø12 Ø10 Ø12</p> 	<p>M 090.09-08 SHB 10 M 090.09-08 SHB 12 M 090.09-08 SHF 10 M 090.09-08 SHF 12</p>
	<p>Push to connect Steckschlauchanschluss</p>  <p>(Full flow) </p>	<p>Ø10 Ø13 Ø10 Ø13</p> 	<p>M 090.09-08 SPB 10 M 090.09-08 SPB 13 M 090.09-08 SPF 10 M 090.09-08 SPF 13</p>
	<p>Female thread Innengewinde</p>  <p>(Full flow) </p>	<p>BSP 3/8 NPT 3/8 BSP 3/8 NPT 3/8</p> 	<p>M 090.09-08 SFB 17 M 090.09-08 SNB 17 M 090.09-08 SFF 17 M 090.09-08 SNF 17</p>
TYPE K 090.09	Mould side / Abnehmerseite		Item code / Artikelnummer
<p>4 ↔ 4</p> 	<p>Plate for 8 lines / Platte für 8 Anschlüsse</p> 		<p>K 090.09-08</p>

rtc TYPE M 090.09

Flow diameter 9 mm / Nennweite 9 mm

TYPE M 090.09	Mobile side / Versorgerseite	Item code / Artikelnummer
<p>5 ↔ 5</p> 	<p>Standard hose Schlauchanschluss</p>  <p>(Full flow) </p>	<p>Ø10 M 090.09-10 SHB 10 Ø12 M 090.09-10 SHB 12 Ø10 M 090.09-10 SHF 10 Ø12 M 090.09-10 SHF 12</p> 
	<p>Push to connect Steckschlauchanschluss</p>  <p>(Full flow) </p>	<p>Ø10 M 090.09-10 SPB 10 Ø13 M 090.09-10 SPB 13 Ø10 M 090.09-10 SPF 10 Ø13 M 090.09-10 SPF 13</p> 
	<p>Female thread Innengewinde</p>  <p>(Full flow) </p>	<p>BSP 3/8 M 090.09-10 SFB 17 NPT 3/8 M 090.09-10 SNB 17 BSP 3/8 M 090.09-10 SFF 17 NPT 3/8 M 090.09-10 SNF 17</p> 
TYPE K 090.09	Mould side / Abnehmerseite	Item code / Artikelnummer
<p>5 ↔ 5</p> 	<p>Plate with 10 plugs Platte mit 10 Anschlüsse</p>  <p>(Full flow) </p>	<p>BSP 3/8 K 090.09-10 PMB 17 BSP 3/8 K 090.09-10 PMF 17</p> 

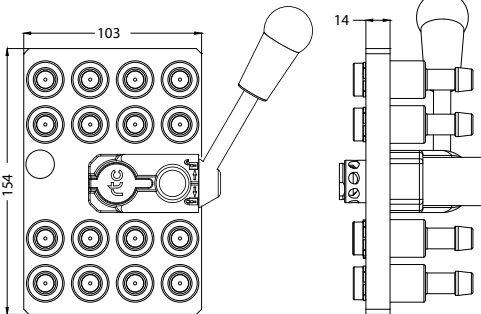

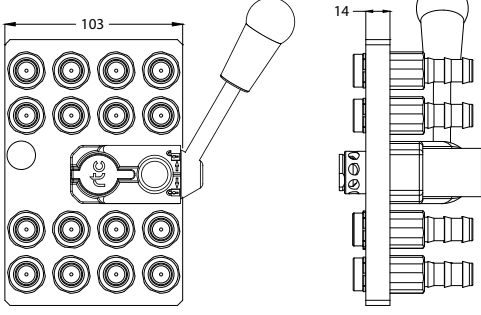

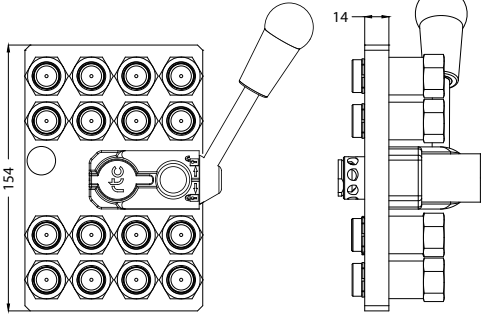

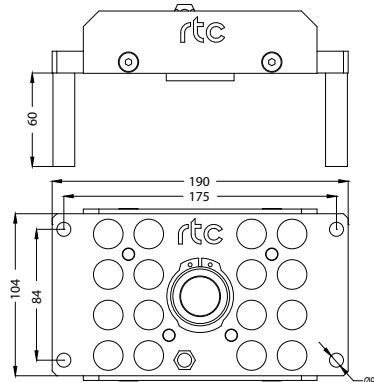

Flow diameter 9 mm / Nennweite 9 mm

TYPE M 090.09 **rtc**

TYPE M 090.09	Mobile side / Versorgerseite		Item code / Artikelnummer	
<p>6 ↔ 6</p>			<p>Standard hose Schlauchanschluss</p> <p> </p> <p> Ø10 Ø12 Ø10 Ø12 </p>	<p>M 090.09-12 SHB 10 M 090.09-12 SHB 12 M 090.09-12 SHF 10 M 090.09-12 SHF 12</p>
			<p>Push to connect Steckschlauchanschluss</p> <p> </p> <p> Ø10 Ø13 Ø10 Ø13 </p>	<p>M 090.09-12 SPB 10 M 090.09-12 SPB 13 M 090.09-12 SPF 10 M 090.09-12 SPF 13</p>
			<p>Female thread Innengewinde</p> <p> </p> <p> BSP 3/8 NPT 3/8 BSP 3/8 NPT 3/8 </p>	<p>M 090.09-12 SFB 17 M 090.09-12 SNB 17 M 090.09-12 SFF 17 M 090.09-12 SNF 17</p>
			<p>Female thread collector Innengewinde Sammler</p> <p> </p> <p> BSP 1 NPT 1 </p>	<p>M 090.09-12 C 33 M 090.09-12 CN 33</p>
	<p>TYPE K 090.09</p> <p>6 ↔ 6</p>	<p>Mould side / Abnehmerseite</p>		<p>Item code / Artikelnummer</p>
	<p>K 090.09-12 AD</p>	<p>Plate for 12 lines / Platte mit 12 Anschlüsse</p>	<p>K 090.09-12</p>	

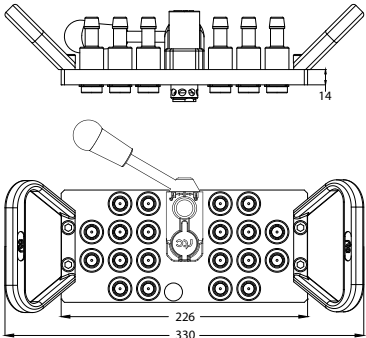

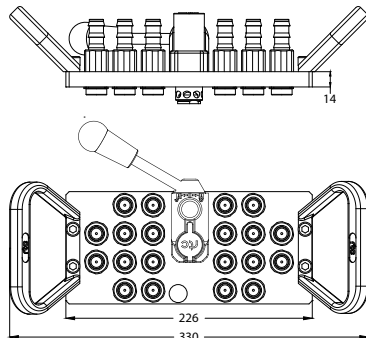
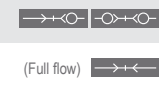
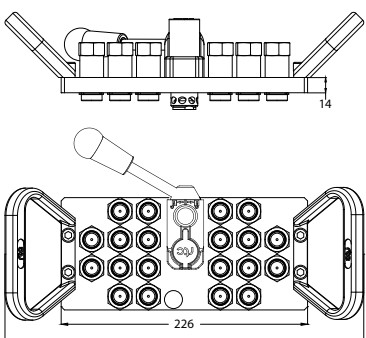
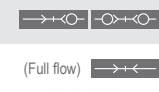
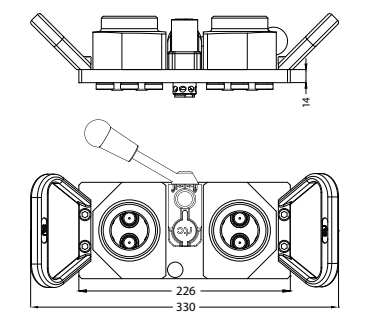

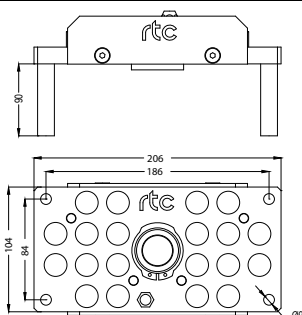

rtc TYPE M 090.09

Flow diameter 9 mm / Nennweite 9 mm

TYPE M 090.09	Mobile side / Versorgerseite	Item code / Artikelnummer												
<p>8 ← → 8</p>	<p>Standard hose Schlauchanschluss</p> 	<table border="1"> <tr> <td>→←○ ○→←</td> <td>Ø10</td> <td>M 090.09-16 SHB 10</td> </tr> <tr> <td>→←○ ○→←</td> <td>Ø12</td> <td>M 090.09-16 SHB 12</td> </tr> <tr> <td>(Full flow) →←</td> <td>Ø10</td> <td>M 090.09-16 SHF 10</td> </tr> <tr> <td>(Full flow) →←</td> <td>Ø12</td> <td>M 090.09-16 SHF 12</td> </tr> </table> 	→←○ ○→←	Ø10	M 090.09-16 SHB 10	→←○ ○→←	Ø12	M 090.09-16 SHB 12	(Full flow) →←	Ø10	M 090.09-16 SHF 10	(Full flow) →←	Ø12	M 090.09-16 SHF 12
	→←○ ○→←	Ø10	M 090.09-16 SHB 10											
	→←○ ○→←	Ø12	M 090.09-16 SHB 12											
(Full flow) →←	Ø10	M 090.09-16 SHF 10												
(Full flow) →←	Ø12	M 090.09-16 SHF 12												
<p>Push to connect Steckschlauchanschluss</p> 	<table border="1"> <tr> <td>→←○ ○→←</td> <td>Ø10</td> <td>M 090.09-16 SPB 10</td> </tr> <tr> <td>→←○ ○→←</td> <td>Ø13</td> <td>M 090.09-16 SPB 13</td> </tr> <tr> <td>(Full flow) →←</td> <td>Ø10</td> <td>M 090.09-16 SPF 10</td> </tr> <tr> <td>(Full flow) →←</td> <td>Ø13</td> <td>M 090.09-16 SPF 13</td> </tr> </table> 	→←○ ○→←	Ø10	M 090.09-16 SPB 10	→←○ ○→←	Ø13	M 090.09-16 SPB 13	(Full flow) →←	Ø10	M 090.09-16 SPF 10	(Full flow) →←	Ø13	M 090.09-16 SPF 13	
→←○ ○→←	Ø10	M 090.09-16 SPB 10												
→←○ ○→←	Ø13	M 090.09-16 SPB 13												
(Full flow) →←	Ø10	M 090.09-16 SPF 10												
(Full flow) →←	Ø13	M 090.09-16 SPF 13												
<p>Female thread Innengewinde</p> 	<table border="1"> <tr> <td>→←○ ○→←</td> <td>BSP 3/8</td> <td>M 090.09-16 SFB 17</td> </tr> <tr> <td>→←○ ○→←</td> <td>NPT 3/8</td> <td>M 090.09-16 SNB 17</td> </tr> <tr> <td>(Full flow) →←</td> <td>BSP 3/8</td> <td>M 090.09-16 SFF 17</td> </tr> <tr> <td>(Full flow) →←</td> <td>NPT 3/8</td> <td>M 090.09-16 SNF 17</td> </tr> </table> 	→←○ ○→←	BSP 3/8	M 090.09-16 SFB 17	→←○ ○→←	NPT 3/8	M 090.09-16 SNB 17	(Full flow) →←	BSP 3/8	M 090.09-16 SFF 17	(Full flow) →←	NPT 3/8	M 090.09-16 SNF 17	
→←○ ○→←	BSP 3/8	M 090.09-16 SFB 17												
→←○ ○→←	NPT 3/8	M 090.09-16 SNB 17												
(Full flow) →←	BSP 3/8	M 090.09-16 SFF 17												
(Full flow) →←	NPT 3/8	M 090.09-16 SNF 17												
<p>8 ← → 8</p>	<p>Plate for 16 lines / Platte für 16 Anschlüsse</p> 	<p>Item code / Artikelnummer</p> <p>K 090.09-16</p> 												

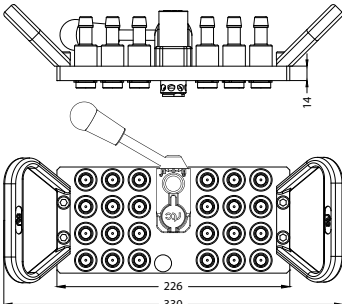


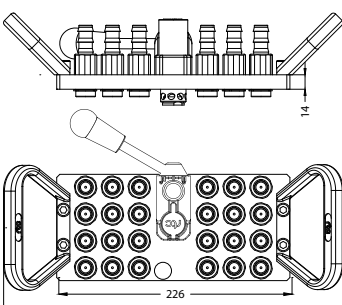
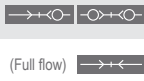

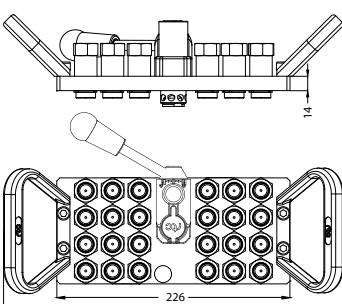


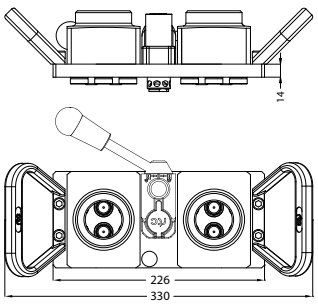


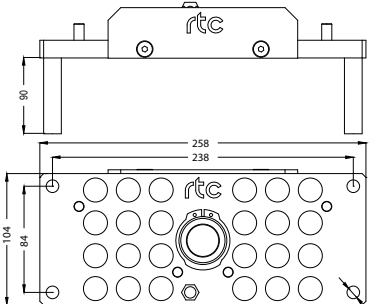

Flow diameter 9 mm / Nennweite 9 mm

TYPE M 090.09 **rtc**

TYPE M 090.09	Mobile side / Versorgerseite		Item code / Artikelnummer
<p>10 ← → 10</p>		<p>Standard hose Schlauchanschluss</p> 	<p>Ø10 Ø12 Ø10 Ø12</p> <p>M 090.09-20 SHB 10 M 090.09-20 SHB 12 M 090.09-20 SHF 10 M 090.09-20 SHF 12</p>
		<p>Push to connect Steckschlauchanschluss</p> 	<p>Ø10 Ø13 Ø10 Ø13</p> <p>M 090.09-20 SPB 10 M 090.09-20 SPB 13 M 090.09-20 SPF 10 M 090.09-20 SPF 13</p>
		<p>Female thread Innengewinde</p> 	<p>BSP 3/8 NPT 3/8 BSP 3/8 NPT 3/8</p> <p>M 090.09-20 SFB 17 M 090.09-20 SNB 17 M 090.09-20 SFF 17 M 090.09-20 SNF 17</p>
		<p>Female thread collector Innengewinde Sammler</p> 	<p>BSP 1.1/4 NPT 1.1/4</p> <p>M 090.09-20 C 42 M 090.09-20 CN 42</p>
<p>10 ← → 10</p>	<p>TYPE K 090.09</p> <p>Mould side / Abnehmerseite</p> 	<p>Plate for 20 lines / Platte für 20 Anschlüsse</p> 	<p>Item code / Artikelnummer</p> <p>K 090.09-20</p>

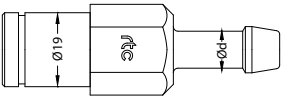


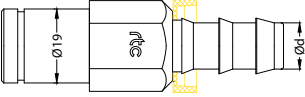
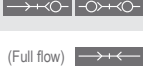

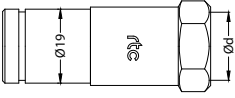
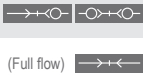

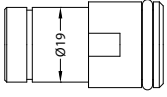

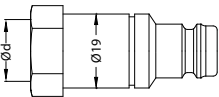
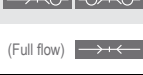
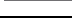
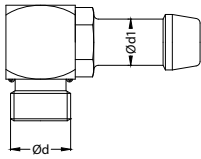
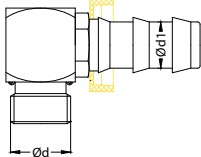
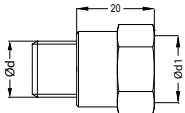
rtc TYPE M 090.09

Flow diameter 9 mm / Nennweite 9 mm

TYPE M 090.09	Mobile side / Versorgerseite	Item code / Artikelnummer									
<p>12 ↔ 12</p>		<p>Standard hose Schlauchanschluss</p>	 <table border="1"> <tr><td>Ø10</td><td>M 090.09-24 SHB 10</td></tr> <tr><td>Ø12</td><td>M 090.09-24 SHB 12</td></tr> <tr><td>Ø10</td><td>M 090.09-24 SHF 10</td></tr> <tr><td>Ø12</td><td>M 090.09-24 SHF 12</td></tr> </table> 	Ø10	M 090.09-24 SHB 10	Ø12	M 090.09-24 SHB 12	Ø10	M 090.09-24 SHF 10	Ø12	M 090.09-24 SHF 12
	Ø10	M 090.09-24 SHB 10									
	Ø12	M 090.09-24 SHB 12									
	Ø10	M 090.09-24 SHF 10									
Ø12	M 090.09-24 SHF 12										
	<p>Push to connect Steckschlauchanschluss</p>	 <table border="1"> <tr><td>Ø10</td><td>M 090.09-24 SPB 10</td></tr> <tr><td>Ø13</td><td>M 090.09-24 SPB 13</td></tr> <tr><td>Ø10</td><td>M 090.09-24 SPF 10</td></tr> <tr><td>Ø13</td><td>M 090.09-24 SPF 13</td></tr> </table> 	Ø10	M 090.09-24 SPB 10	Ø13	M 090.09-24 SPB 13	Ø10	M 090.09-24 SPF 10	Ø13	M 090.09-24 SPF 13	
Ø10	M 090.09-24 SPB 10										
Ø13	M 090.09-24 SPB 13										
Ø10	M 090.09-24 SPF 10										
Ø13	M 090.09-24 SPF 13										
	<p>Female thread Innengewinde</p>	 <table border="1"> <tr><td>BSP 3/8</td><td>M 090.09-24 SFB 17</td></tr> <tr><td>NPT 3/8</td><td>M 090.09-24 SNB 17</td></tr> <tr><td>BSP 3/8</td><td>M 090.09-24 SFF 17</td></tr> <tr><td>NPT 3/8</td><td>M 090.09-24 SNF 17</td></tr> </table> 	BSP 3/8	M 090.09-24 SFB 17	NPT 3/8	M 090.09-24 SNB 17	BSP 3/8	M 090.09-24 SFF 17	NPT 3/8	M 090.09-24 SNF 17	
BSP 3/8	M 090.09-24 SFB 17										
NPT 3/8	M 090.09-24 SNB 17										
BSP 3/8	M 090.09-24 SFF 17										
NPT 3/8	M 090.09-24 SNF 17										
	<p>Female thread collector Innengewinde Sammler</p>	 <table border="1"> <tr><td>BSP 1-1/4</td><td>M 090.09-24 C 42</td></tr> <tr><td>NPT 1-1/4</td><td>M 090.09-24 CN 42</td></tr> </table> 	BSP 1-1/4	M 090.09-24 C 42	NPT 1-1/4	M 090.09-24 CN 42					
BSP 1-1/4	M 090.09-24 C 42										
NPT 1-1/4	M 090.09-24 CN 42										
<p>12 ↔ 12</p>	<p>TYPE K 090.09</p> <p>Mould side / Abnehmerseite</p> 	<p>Plate for 24 lines / Platte für 24 Anschlüsse</p> <p>Item code / Artikelnummer</p> <p>K 090.09-24</p> 									

Flow diameter 9 mm / Nennweite 9 mm

TYPE M 090.09 **rtc**

TYPE M 090.09	Sockets / Kupplungen	Connection / Anschluss	Item code / Artikelnummer	
	Standard hose Schlauchanschluss	 Ø10 Ø12 (Full flow)  Ø10 Ø12	M 090.09 SHB 10 M 090.09 SHB 12 M 090.09 SHF 10 M 090.09 SHF 12	
		Push to connect Steckschlauchanschluss	 Ø10 Ø13 (Full flow)  Ø10 Ø13	M 090.09 SPB 10 M 090.09 SPB 13 M 090.09 SPF 10 M 090.09 SPF 13
		Female thread Innengewinde	 BSP 3/8 NPT 3/8 (Full flow)  BSP 3/8 NPT 3/8	M 090.09 SFB 17 M 090.09 SNB 17 M 090.09 SFF 17 M 090.09 SNF 17
		For collector Für Sammler		M 090.09 SAB 00
TYPE M 090.09	Plugs / Nippel	Connection / Anschluss	Item code / Artikelnummer	
	Female thread Innengewinde	 BSP 3/8 NPT 3/8 (Full flow)  BSP 3/8 NPT 3/8	M 090.09 PFB 17 M 090.09 PNB 17 M 090.09 PFF 17 M 090.09 PNF 17	
TYPE M 090.09	Adapters elbow / Adapter Winkel	Connection / Anschluss	Item code / Artikelnummer	
	Standard hose Schlauchanschluss	BSP 3/8 → Ø10 Ø12 NPT 3/8 → Ø10 Ø12	EBH 17/10-90 EBH 17/12-90 EBH 17T/10-90 EBH 17T/12-90	
		Push to connect Steckschlauchanschluss	BSP 3/8 → Ø10 Ø13 NPT 3/8 → Ø10 Ø13	EBP 17/10-90 EBP 17/13-90 EBP 17T/10-90 EBP 17T/13-90
	TE 17-20 BSP 3/8" Male (Ød) - BSP 3/8" Female (Ød1) Extension BSP 3/8" Aussengewinde (Ød) - BSP 3/8" Innengewinde (Ød1) Verlängerung TE 17-17N-20 BSP 3/8" Male (Ød) - NPT 3/8" Female (Ød1) Extension BSP 3/8" Aussengewinde (Ød) - NPT 3/8" Innengewinde (Ød1) Verlängerung TE 17T-17N-20 NPT 3/8" Male (Ød) - NPT 3/8" Female (Ød1) Extension NPT 3/8" Aussengewinde (Ød) - NPT 3/8" Innengewinde (Ød1) Verlängerung			



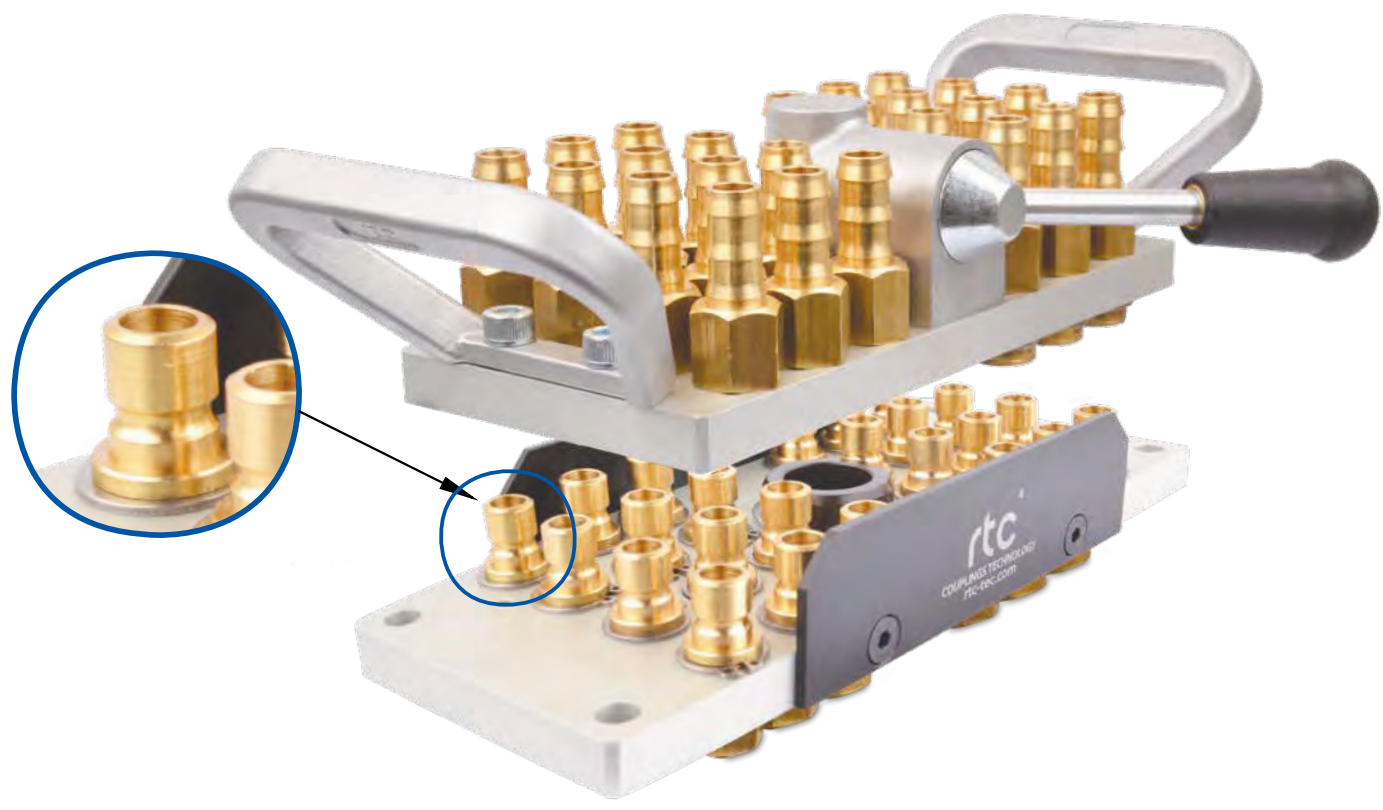
Water Multi Coupling For
International Plug Profile!

rtc[®]
COUPLING TECHNOLOGY



M099

rtc TYPE



rtc Multicoupling systems / rtc Multikupplungssysteme type M099



Type	Max. Working Pressure Max. Betriebsdruck	Flow size Nennweite	Connections Anschlüsse	Circuits Kreislauf
rtc M099.09	16 bar	09	6 / 8 / 10 / 12 / 16 / 20 / 24	3 / 4 / 5 / 6 / 8 / 10 / 12
<p>Temperature Range - Temperaturbereich</p> <p>For oil / bei Öl -10°C +200°C (+14°F +392°F) FPM (V)</p> <p>For water / bei Wasser -10°C +160°C (+14°F +320°F) FPM (V)</p>				



Specification

Connecting and disconnecting the circuits in one operation for quick mold change

Colour coded plates for circuit definition

Eigenschaften

Verbinden und Trennen von mehreren Kreisläufen in einem Arbeitsgang für das schnelle Rüsten

Kennzeichnung von Zu- und Rücklauf durch farbige Platten

Applications

Aluminium die casting

Test units

Plastics industry / cooling heating

Anwendungen

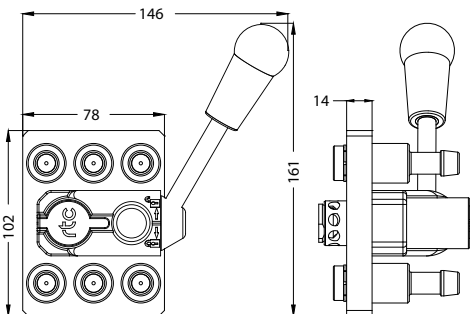
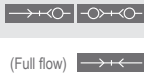

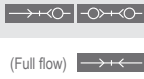

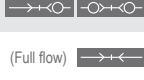

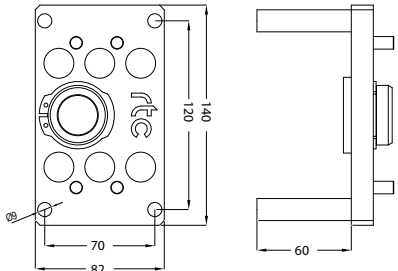

Aluminiumdruckguß

Prüfstände

Kunststoffindustrie / Mehrkreistemperierung / Kühlen Temperieren

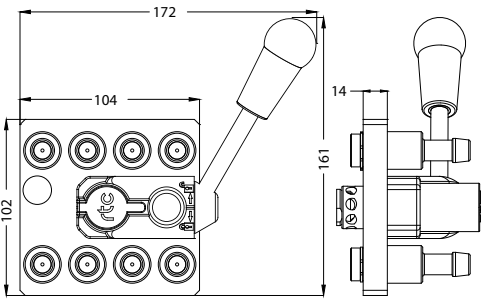
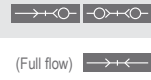

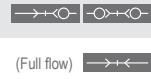

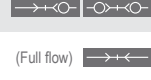

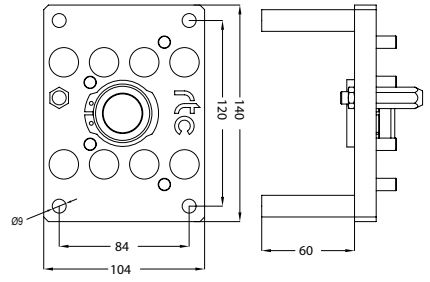

rtc TYPE M 099.09

Flow diameter 9 mm / Nennweite 9 mm

TYPE M 099.09	Mobile side / Versorgerseite		Item code / Artikelnummer
<p>3 ↔ 3</p> 	<p>Standard hose Schlauchanschluss</p> 	<p>Ø10 Ø12 Ø10 Ø12</p>	<p>M 099.09-06 SHB 10 M 099.09-06 SHB 12 M 099.09-06 SHF 10 M 099.09-06 SHF 12</p> 
	<p>Push to connect Steckschlauchanschluss</p> 	<p>Ø10 Ø13 Ø10 Ø13</p>	<p>M 099.09-06 SPB 10 M 099.09-06 SPB 13 M 099.09-06 SPF 10 M 099.09-06 SPF 13</p> 
	<p>Female thread Innengewinde</p> 	<p>BSP 3/8 NPT 3/8 BSP 3/8 NPT 3/8</p>	<p>M 099.09-06 SFB 17 M 099.09-06 SNB 17 M 099.09-06 SFF 17 M 099.09-06 SNF 17</p> 
TYPE K 099.09	Mould side / Abnehmerseite		Item code / Artikelnummer
<p>3 ↔ 3</p> 	<p>Plate for 6 lines / Platte für 6 Anschlüsse</p> 		<p>K 099.09-06</p>

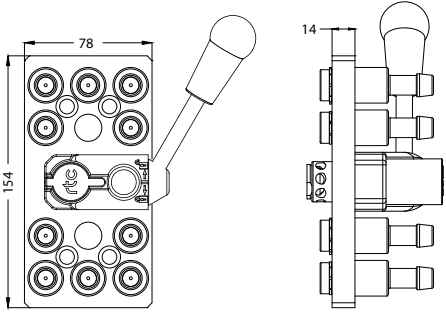

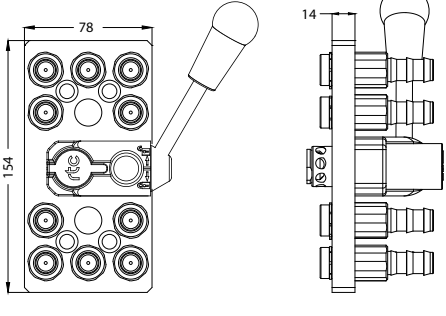

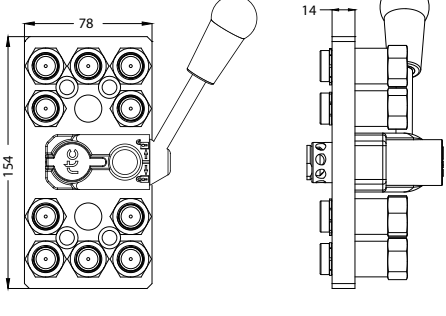

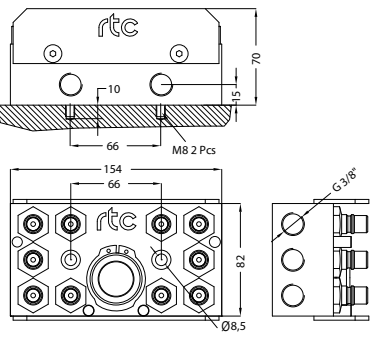

Flow diameter 9 mm / Nennweite 9 mm

TYPE M 099.09 **rtc**

TYPE M 099.09	Mobile side / Versorgerseite		Item code / Artikelnummer
<p>4 ↔ 4</p> 	<p>Standard hose Schlauchanschluss</p> 	<p>Ø10 Ø12 Ø10 Ø12</p>	<p>M 099.09-08 SHB 10 M 099.09-08 SHB 12 M 099.09-08 SHF 10 M 099.09-08 SHF 12</p> 
	<p>Push to connect Steckschlauchanschluss</p> 	<p>Ø10 Ø13 Ø10 Ø13</p>	<p>M 099.09-08 SPB 10 M 099.09-08 SPB 13 M 099.09-08 SPF 10 M 099.09-08 SPF 13</p> 
	<p>Female thread Innengewinde</p> 	<p>BSP 3/8 NPT 3/8 BSP 3/8 NPT 3/8</p>	<p>M 099.09-08 SFB 17 M 099.09-08 SNB 17 M 099.09-08 SFF 17 M 099.09-08 SNF 17</p> 
TYPE K 099.09	Mould side / Abnehmerseite		Item code / Artikelnummer
<p>4 ↔ 4</p> 	<p>Plate for 8 lines / Platte für 8 Anschlüsse</p> 		<p>K 099.09-08</p>

rtc TYPE M 099.09

Flow diameter 9 mm / Nennweite 9 mm

TYPE M 099.09	Mobile side / Versorgerseite	Item code / Artikelnummer												
<p>5 ↔ 5</p> 	<p>Standard hose Schlauchanschluss</p> 	<table border="1"> <tr> <td>→↔←</td> <td>Ø10</td> <td>M 099.09-10 SHB 10</td> </tr> <tr> <td>→↔←</td> <td>Ø12</td> <td>M 099.09-10 SHB 12</td> </tr> <tr> <td>(Full flow) →↔←</td> <td>Ø10</td> <td>M 099.09-10 SHF 10</td> </tr> <tr> <td>(Full flow) →↔←</td> <td>Ø12</td> <td>M 099.09-10 SHF 12</td> </tr> </table>	→↔←	Ø10	M 099.09-10 SHB 10	→↔←	Ø12	M 099.09-10 SHB 12	(Full flow) →↔←	Ø10	M 099.09-10 SHF 10	(Full flow) →↔←	Ø12	M 099.09-10 SHF 12
→↔←	Ø10	M 099.09-10 SHB 10												
→↔←	Ø12	M 099.09-10 SHB 12												
(Full flow) →↔←	Ø10	M 099.09-10 SHF 10												
(Full flow) →↔←	Ø12	M 099.09-10 SHF 12												
<p>5 ↔ 5</p> 	<p>Push to connect Steckschlauchanschluss</p> 	<table border="1"> <tr> <td>→↔←</td> <td>Ø10</td> <td>M 099.09-10 SPB 10</td> </tr> <tr> <td>→↔←</td> <td>Ø13</td> <td>M 099.09-10 SPB 13</td> </tr> <tr> <td>(Full flow) →↔←</td> <td>Ø10</td> <td>M 099.09-10 SPF 10</td> </tr> <tr> <td>(Full flow) →↔←</td> <td>Ø13</td> <td>M 099.09-10 SPF 13</td> </tr> </table>	→↔←	Ø10	M 099.09-10 SPB 10	→↔←	Ø13	M 099.09-10 SPB 13	(Full flow) →↔←	Ø10	M 099.09-10 SPF 10	(Full flow) →↔←	Ø13	M 099.09-10 SPF 13
→↔←	Ø10	M 099.09-10 SPB 10												
→↔←	Ø13	M 099.09-10 SPB 13												
(Full flow) →↔←	Ø10	M 099.09-10 SPF 10												
(Full flow) →↔←	Ø13	M 099.09-10 SPF 13												
<p>5 ↔ 5</p> 	<p>Female thread Innengewinde</p> 	<table border="1"> <tr> <td>→↔←</td> <td>BSP 3/8</td> <td>M 099.09-10 SFB 17</td> </tr> <tr> <td>→↔←</td> <td>NPT 3/8</td> <td>M 099.09-10 SNB 17</td> </tr> <tr> <td>(Full flow) →↔←</td> <td>BSP 3/8</td> <td>M 099.09-10 SFF 17</td> </tr> <tr> <td>(Full flow) →↔←</td> <td>NPT 3/8</td> <td>M 099.09-10 SNF 17</td> </tr> </table>	→↔←	BSP 3/8	M 099.09-10 SFB 17	→↔←	NPT 3/8	M 099.09-10 SNB 17	(Full flow) →↔←	BSP 3/8	M 099.09-10 SFF 17	(Full flow) →↔←	NPT 3/8	M 099.09-10 SNF 17
→↔←	BSP 3/8	M 099.09-10 SFB 17												
→↔←	NPT 3/8	M 099.09-10 SNB 17												
(Full flow) →↔←	BSP 3/8	M 099.09-10 SFF 17												
(Full flow) →↔←	NPT 3/8	M 099.09-10 SNF 17												
TYPE K 099.09	Mould side / Abnehmerseite	Item code / Artikelnummer												
<p>5 ↔ 5</p> 	<p>Plate with 10 plugs Platte mit 10 Anschlüsse</p> 	<table border="1"> <tr> <td>→↔←</td> <td>BSP 3/8</td> <td>K 099.09-10 PMB 17</td> </tr> <tr> <td>(Full flow) →↔←</td> <td>BSP 3/8</td> <td>K 099.09-10 PMF 17</td> </tr> </table>	→↔←	BSP 3/8	K 099.09-10 PMB 17	(Full flow) →↔←	BSP 3/8	K 099.09-10 PMF 17						
→↔←	BSP 3/8	K 099.09-10 PMB 17												
(Full flow) →↔←	BSP 3/8	K 099.09-10 PMF 17												


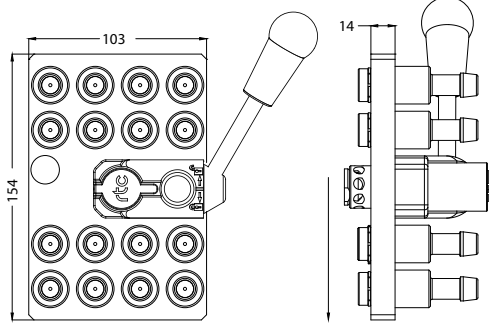







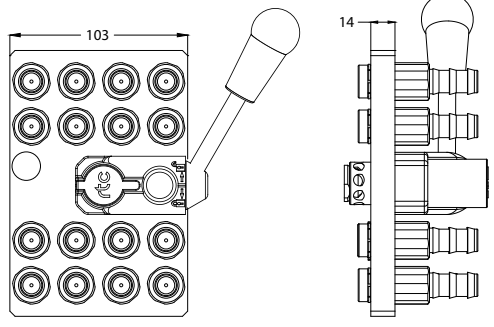







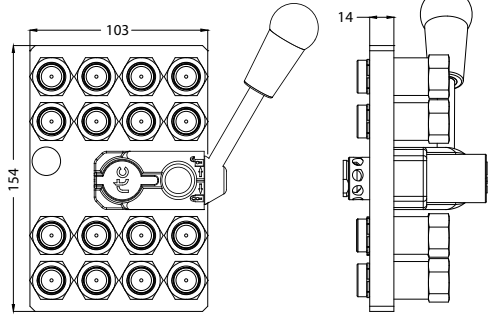








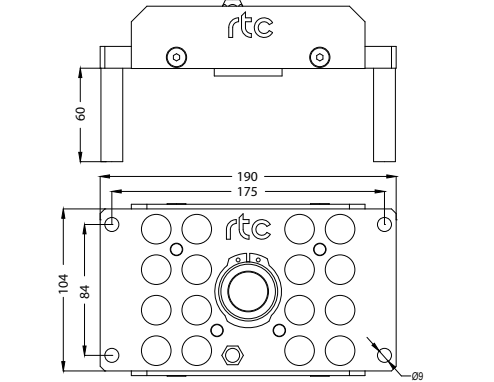

Flow diameter 9 mm / Nennweite 9 mm

TYPE M 099.09 **rtc**

TYPE M 099.09	Mobile side / Versorgerseite		Item code / Artikelnummer
<p>6 ↔ 6</p>		<p>Standard hose Schlauchanschluss</p> <p>(Full flow) </p>	<p>Ø10 M 099.09-12 SHB 10 Ø12 M 099.09-12 SHB 12 Ø10 M 099.09-12 SHF 10 Ø12 M 099.09-12 SHF 12</p>
		<p>Push to connect Steckschlauchanschluss</p> <p>(Full flow) </p>	<p>Ø10 M 099.09-12 SPB 10 Ø13 M 099.09-12 SPB 13 Ø10 M 099.09-12 SPF 10 Ø13 M 099.09-12 SPF 13</p>
		<p>Female thread Innengewinde</p> <p>(Full flow) </p>	<p>BSP 3/8 M 099.09-12 SFB 17 NPT 3/8 M 099.09-12 SNB 17 BSP 3/8 M 099.09-12 SFF 17 NPT 3/8 M 099.09-12 SNF 17</p>
		<p>Female thread collector Innengewinde Sammler</p>	<p>BSP 1 M 099.09-12 C 33 NPT 1 M 099.09-12 CN 33</p>
	<p>TYPE K 099.09</p> <p>6 ↔ 6</p>	<p>Mould side / Abnehmerseite</p> <p>K 099.09-12 AD</p> <p>Plate for 12 lines / Platte mit 12 Anschlüsse</p>	

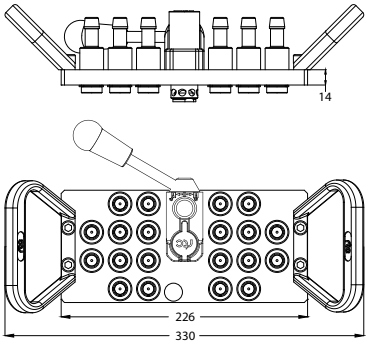











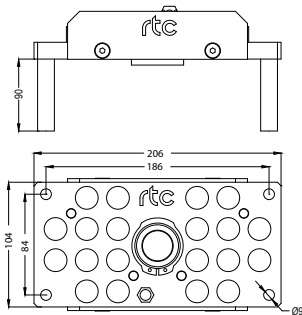

rtc TYPE M 099.09

Flow diameter 9 mm / Nennweite 9 mm

TYPE M 099.09	Mobile side / Versorgerseite	Item code / Artikelnummer						
		<table border="1"> <tr> <td data-bbox="766 347 997 414">Standard hose Schlauchanschluss</td> <td data-bbox="997 347 1273 414">  Ø10 Ø12 </td> <td data-bbox="1273 347 1548 414">M 099.09-16 SHB 10 M 099.09-16 SHB 12</td> </tr> <tr> <td data-bbox="766 414 997 481">(Full flow)</td> <td data-bbox="997 414 1273 481">  Ø10 Ø12 </td> <td data-bbox="1273 414 1548 481">M 099.09-16 SHF 10 M 099.09-16 SHF 12</td> </tr> </table> 	Standard hose Schlauchanschluss	 Ø10 Ø12	M 099.09-16 SHB 10 M 099.09-16 SHB 12	(Full flow)	 Ø10 Ø12	M 099.09-16 SHF 10 M 099.09-16 SHF 12
	Standard hose Schlauchanschluss	 Ø10 Ø12	M 099.09-16 SHB 10 M 099.09-16 SHB 12					
	(Full flow)	 Ø10 Ø12	M 099.09-16 SHF 10 M 099.09-16 SHF 12					
	<table border="1"> <tr> <td data-bbox="766 795 997 862">Push to connect Steckschlauchanschluss</td> <td data-bbox="997 795 1273 862">  Ø10 Ø13 </td> <td data-bbox="1273 795 1548 862">M 099.09-16 SPB 10 M 099.09-16 SPB 13</td> </tr> <tr> <td data-bbox="766 862 997 929">(Full flow)</td> <td data-bbox="997 862 1273 929">  Ø10 Ø13 </td> <td data-bbox="1273 862 1548 929">M 099.09-16 SPF 10 M 099.09-16 SPF 13</td> </tr> </table> 	Push to connect Steckschlauchanschluss	 Ø10 Ø13	M 099.09-16 SPB 10 M 099.09-16 SPB 13	(Full flow)	 Ø10 Ø13	M 099.09-16 SPF 10 M 099.09-16 SPF 13	
Push to connect Steckschlauchanschluss	 Ø10 Ø13	M 099.09-16 SPB 10 M 099.09-16 SPB 13						
(Full flow)	 Ø10 Ø13	M 099.09-16 SPF 10 M 099.09-16 SPF 13						
	<table border="1"> <tr> <td data-bbox="766 1243 997 1310">Female thread Innengewinde</td> <td data-bbox="997 1243 1273 1310">  BSP 3/8 NPT 3/8 </td> <td data-bbox="1273 1243 1548 1310">M 099.09-16 SFB 17 M 099.09-16 SNB 17</td> </tr> <tr> <td data-bbox="766 1310 997 1377">(Full flow)</td> <td data-bbox="997 1310 1273 1377">  BSP 3/8 NPT 3/8 </td> <td data-bbox="1273 1310 1548 1377">M 099.09-16 SFF 17 M 099.09-16 SNF 17</td> </tr> </table> 	Female thread Innengewinde	 BSP 3/8 NPT 3/8	M 099.09-16 SFB 17 M 099.09-16 SNB 17	(Full flow)	 BSP 3/8 NPT 3/8	M 099.09-16 SFF 17 M 099.09-16 SNF 17	
Female thread Innengewinde	 BSP 3/8 NPT 3/8	M 099.09-16 SFB 17 M 099.09-16 SNB 17						
(Full flow)	 BSP 3/8 NPT 3/8	M 099.09-16 SFF 17 M 099.09-16 SNF 17						
<p>TYPE K 099.09</p> 	<p>Mould side / Abnehmerseite</p> 	<p>Plate for 16 lines / Platte für 16 Anschlüsse</p> <p>Item code / Artikelnummer</p> <p>K 099.09-16</p> 						

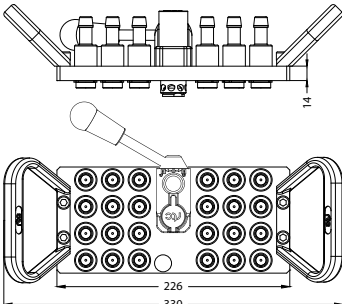



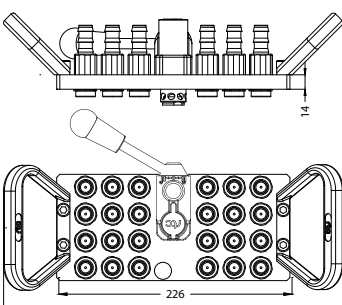



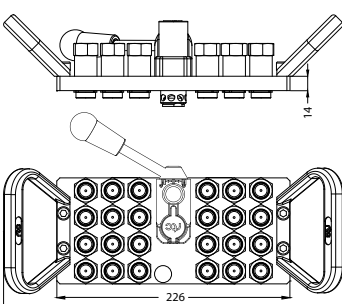



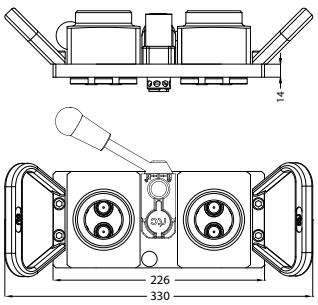


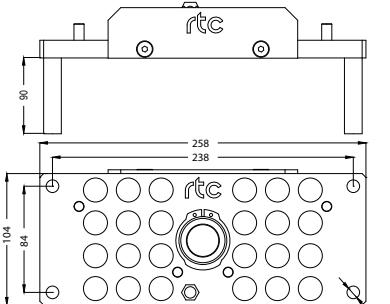

Flow diameter 9 mm / Nennweite 9 mm

TYPE M 099.09 **rtc**

TYPE M 099.09	Mobile side / Versorgerseite		Item code / Artikelnummer
<p>10 ← → 10</p> 	<p>Standard hose Schlauchanschluss</p>  <p>(Full flow) </p>	<p>Ø10 Ø12 Ø10 Ø12</p>	<p>M 099.09-20 SHB 10 M 099.09-20 SHB 12 M 099.09-20 SHF 10 M 099.09-20 SHF 12</p> 
	<p>Push to connect Steckschlauchanschluss</p>  <p>(Full flow) </p>	<p>Ø10 Ø13 Ø10 Ø13</p>	<p>M 099.09-20 SPB 10 M 099.09-20 SPB 13 M 099.09-20 SPF 10 M 099.09-20 SPF 13</p> 
	<p>Female thread Innengewinde</p>  <p>(Full flow) </p>	<p>BSP 3/8 NPT 3/8 BSP 3/8 NPT 3/8</p>	<p>M 099.09-20 SFB 17 M 099.09-20 SNB 17 M 099.09-20 SFF 17 M 099.09-20 SNF 17</p> 
	<p>Female thread collector Innengewinde Sammler</p>  <p>BSP 1.1/4 NPT 1.1/4</p>	<p>M 099.09-20 C 42 M 099.09-20 CN 42</p> 	
<p>TYPE K 099.09</p> <p>10 ← → 10</p> 	<p>Plate for 20 lines / Platte für 20 Anschlüsse</p> 		<p>Item code / Artikelnummer K 099.09-20</p>

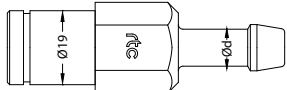


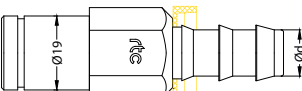


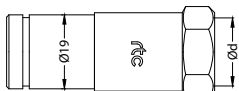


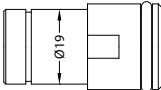

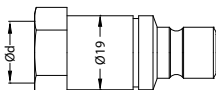

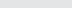
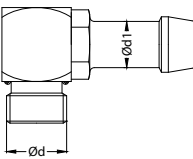
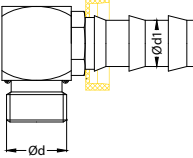
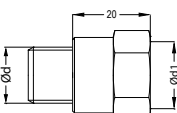
rtc TYPE M 099.09

Flow diameter 9 mm / Nennweite 9 mm

TYPE M 099.09	Mobile side / Versorgerseite	Item code / Artikelnummer	
<p>12 ↔ 12</p>		<p>Standard hose Schlauchanschluss</p>	 <p>Ø10 Ø12 Ø10 Ø12</p> <p>(Full flow) </p> <p>M 099.09-24 SHB 10 M 099.09-24 SHB 12 M 099.09-24 SHF 10 M 099.09-24 SHF 12</p> 
		<p>Push to connect Steckschlauchanschluss</p>	 <p>Ø10 Ø13 Ø10 Ø13</p> <p>(Full flow) </p> <p>M 099.09-24 SPB 10 M 099.09-24 SPB 13 M 099.09-24 SPF 10 M 099.09-24 SPF 13</p> 
		<p>Female thread Innengewinde</p>	 <p>BSP 3/8 NPT 3/8 BSP 3/8 NPT 3/8</p> <p>(Full flow) </p> <p>M 099.09-24 SFB 17 M 099.09-24 SNB 17 M 099.09-24 SFF 17 M 099.09-24 SNF 17</p> 
		<p>Female thread collector Innengewinde Sammler</p>	 <p>BSP 1-1/4 NPT 1-1/4</p> <p>M 099.09-24 C 42 M 099.09-24 CN 42</p> 
<p>TYPE K 099.09</p> <p>12 ↔ 12</p>	<p>Mould side / Abnehmerseite</p> 	<p>Plate for 24 lines / Platte für 24 Anschlüsse</p> <p>K 099.09-24</p> 	

Flow diameter 9 mm / Nennweite 9 mm

TYPE M 099.09 

TYPE M 099.09	Sockets / Kupplungen	Connection / Anschluss	Item code / Artikelnummer	
	Standard hose Schlauchanschluss	 Ø10 Ø12 (Full flow)  Ø10 Ø12	M 099.09 SHB 10 M 099.09 SHB 12 M 099.09 SHF 10 M 099.09 SHF 12	
		Push to connect Steckschlauchanschluss	 Ø10 Ø13 (Full flow)  Ø10 Ø13	M 099.09 SPB 10 M 099.09 SPB 13 M 099.09 SPF 10 M 099.09 SPF 13
		Female thread Innengewinde	 BSP 3/8 NPT 3/8 (Full flow)  BSP 3/8 NPT 3/8	M 099.09 SFB 17 M 099.09 SNB 17 M 099.09 SFF 17 M 099.09 SNF 17
		For collector Für Sammler		M 099.09 SAB 00
TYPE M 099.09	Plugs / Nippel	Connection / Anschluss	Item code / Artikelnummer	
	Female thread Innengewinde	 BSP 3/8 NPT 3/8 (Full flow)  BSP 3/8 NPT 3/8	M 099.09 PFB 17 M 099.09 PNB 17 M 099.09 PFF 17 M 099.09 PNF 17	
TYPE M 099.09	Adapters elbow / Adapter Winkel	Connection / Anschluss	Item code / Artikelnummer	
	Standard hose Schlauchanschluss	BSP 3/8 → Ø10 Ø12 NPT 3/8 → Ø10 Ø12	EBH 17/10-90 EBH 17/12-90 EBH 17T/10-90 EBH 17T/12-90	
	Push to connect Steckschlauchanschluss	BSP 3/8 → Ø10 Ø13 NPT 3/8 → Ø10 Ø13	EBP 17/10-90 EBP 17/13-90 EBP 17T/10-90 EBP 17T/13-90	
		TE 17-20 BSP 3/8" Male (Ød) - BSP 3/8" Female (Ød1) Extension BSP 3/8" Aussengewinde (Ød) - BSP 3/8" Innengewinde (Ød1) Verlängerung TE 17-17N-20 BSP 3/8" Male (Ød) - NPT 3/8" Female (Ød1) Extension BSP 3/8" Aussengewinde (Ød) - NPT 3/8" Innengewinde (Ød1) Verlängerung TE 17T-17N-20 NPT 3/8" Male (Ød) - NPT 3/8" Female (Ød1) Extension NPT 3/8" Aussengewinde (Ød) - NPT 3/8" Innengewinde (Ød1) Verlängerung		



rtc[®]

COUPLING TECHNOLOGY



M101

rtc TYPE

rtc Multicoupling systems
rtc Multikupplungssysteme type M101



rtc Multicoupling systems / rtc Multikupplungssysteme type M101



Type	Max. Working Pressure Max. Betriebsdruck	Flow size Nennweite	Connections Anschlüsse	Circuits Kreislauf
rtc M101.06	16 bar	06	6 / 12 / 16 / 20 / 24	3 / 6 / 8 / 10 / 12
rtc M101.09	16 bar	09	6 / 8 / 10 / 12 / 16 / 20 / 24	3 / 4 / 5 / 6 / 8 / 10 / 12
rtc M101.10	16 bar	10	3 / 4 / 5 / 6 / 8 / 10 / 12	3 / 4 / 5 / 6 / 8 / 10 / 12
rtc M101.12	16 bar	12	3 / 5 / 6 / 9 / 10 / 12	3 / 5 / 6 / 9 / 10 / 12
rtc M101.16	16 bar	16	5 / 6	5 / 6

Temperature Range - Temperaturbereich

For oil / bei Öl -10°C +200°C (+14°F +392°F) FPM (V)
For water / bei Wasser -10°C +160°C (+14°F +320°F) FPM (V)



Specification

Connecting and disconnecting the circuits in one operation for quick mold change

Colour coded plates for circuit definition
4 different sizes (Ø6, Ø9, Ø10, Ø12, Ø16)

Eigenschaften

Verbinden und Trennen von mehreren Kreisläufen in einem Arbeitsgang für das schnelle Rüsten

Kennzeichnung von Zu- und Rücklauf durch farbige Platten
Erhältlich in 4 Nennweiten

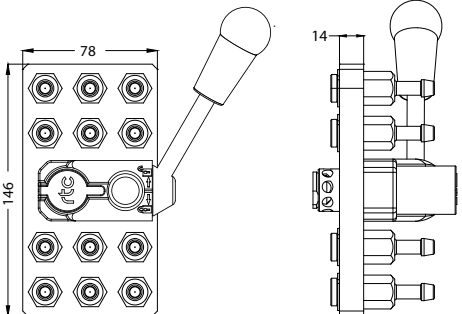
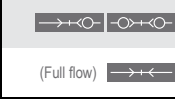

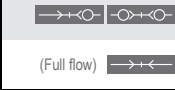

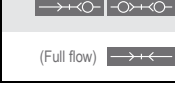

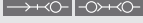

Applications

Aluminium die casting
Test units
Plastics industry / cooling heating

Anwendungen

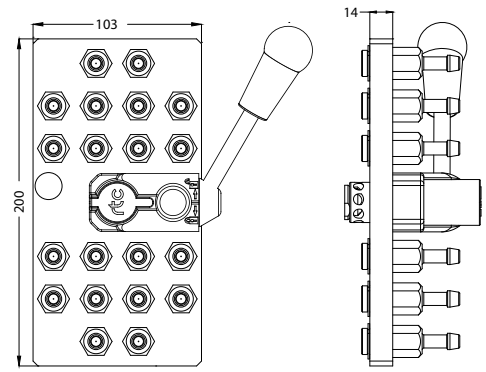
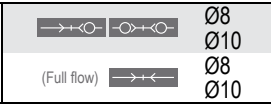





Aluminiumdruckguß
Prüfstände
Kunststoffindustrie / Mehrkreistemperierung / kühlen temperieren

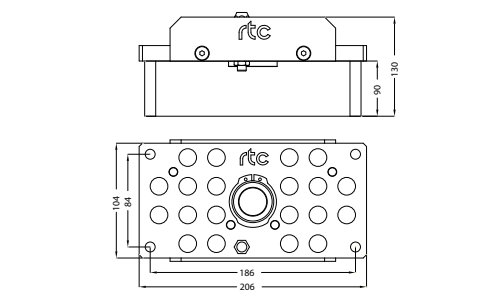

TYPE M 101.06	Mobile side / Versorgerseite	Item code / Artikelnummer												
<p>3 ↔ 3</p>		<p>Standard hose Schlauchanschluss</p> <table border="1"> <tr> <td></td> <td>Ø8</td> <td>M 101.06-06 SHB 08</td> </tr> <tr> <td></td> <td>Ø10</td> <td>M 101.06-06 SHB 10</td> </tr> <tr> <td>(Full flow) </td> <td>Ø8</td> <td>M 101.06-06 SHF 08</td> </tr> <tr> <td></td> <td>Ø10</td> <td>M 101.06-06 SHF 10</td> </tr> </table>		Ø8	M 101.06-06 SHB 08		Ø10	M 101.06-06 SHB 10	(Full flow)	Ø8	M 101.06-06 SHF 08		Ø10	M 101.06-06 SHF 10
		Ø8	M 101.06-06 SHB 08											
		Ø10	M 101.06-06 SHB 10											
(Full flow)	Ø8	M 101.06-06 SHF 08												
	Ø10	M 101.06-06 SHF 10												
	<p>Push to connect Steckschlauchanschluss</p> <table border="1"> <tr> <td></td> <td>Ø8</td> <td>M 101.06-06 SPB 06</td> </tr> <tr> <td></td> <td>Ø10</td> <td>M 101.06-06 SPB 10</td> </tr> <tr> <td>(Full flow) </td> <td>Ø6</td> <td>M 101.06-06 SPF 06</td> </tr> <tr> <td></td> <td>Ø10</td> <td>M 101.06-06 SPF 10</td> </tr> </table>		Ø8	M 101.06-06 SPB 06		Ø10	M 101.06-06 SPB 10	(Full flow)	Ø6	M 101.06-06 SPF 06		Ø10	M 101.06-06 SPF 10	
	Ø8	M 101.06-06 SPB 06												
	Ø10	M 101.06-06 SPB 10												
(Full flow)	Ø6	M 101.06-06 SPF 06												
	Ø10	M 101.06-06 SPF 10												
	<p>Female thread Innengewinde</p> <table border="1"> <tr> <td></td> <td>BSP 1/4</td> <td>M 101.06-06 SFB 13</td> </tr> <tr> <td></td> <td>NPT 1/4</td> <td>M 101.06-06 SNB 13</td> </tr> <tr> <td>(Full flow) </td> <td>BSP 1/4</td> <td>M 101.06-06 SFF 13</td> </tr> <tr> <td></td> <td>NPT 1/4</td> <td>M 101.06-06 SNF 13</td> </tr> </table>		BSP 1/4	M 101.06-06 SFB 13		NPT 1/4	M 101.06-06 SNB 13	(Full flow)	BSP 1/4	M 101.06-06 SFF 13		NPT 1/4	M 101.06-06 SNF 13	
	BSP 1/4	M 101.06-06 SFB 13												
	NPT 1/4	M 101.06-06 SNB 13												
(Full flow)	BSP 1/4	M 101.06-06 SFF 13												
	NPT 1/4	M 101.06-06 SNF 13												
TYPE K 101.06	Mould side / Abnehmerseite	Item code / Artikelnummer												
<p>3 ↔ 3</p>		<p>Plate for 6 lines / Platte für 6 Anschlüsse</p> <table border="1"> <tr> <td></td> <td></td> <td>K 101.06-06</td> </tr> </table>			K 101.06-06									
		K 101.06-06												

TYPE M 101.06	Mobile side / Versorgerseite	Item code / Artikelnummer								
<p>6 ↔ 6</p> 	<p>Standard hose Schlauchanschluss</p> 	<table border="1"> <tr> <td>Ø8</td> <td>M 101.06-12 SHB 08</td> </tr> <tr> <td>Ø10</td> <td>M 101.06-12 SHB 10</td> </tr> <tr> <td>Ø8</td> <td>M 101.06-12 SHF 08</td> </tr> <tr> <td>Ø10</td> <td>M 101.06-12 SHF 10</td> </tr> </table> 	Ø8	M 101.06-12 SHB 08	Ø10	M 101.06-12 SHB 10	Ø8	M 101.06-12 SHF 08	Ø10	M 101.06-12 SHF 10
	Ø8	M 101.06-12 SHB 08								
	Ø10	M 101.06-12 SHB 10								
Ø8	M 101.06-12 SHF 08									
Ø10	M 101.06-12 SHF 10									
<p>Push to connect Steckschlauchanschluss</p> 	<table border="1"> <tr> <td>Ø6</td> <td>M 101.06-12 SPB 06</td> </tr> <tr> <td>Ø10</td> <td>M 101.06-12 SPB 10</td> </tr> <tr> <td>Ø6</td> <td>M 101.06-12 SPF 06</td> </tr> <tr> <td>Ø10</td> <td>M 101.06-12 SPF 10</td> </tr> </table> 	Ø6	M 101.06-12 SPB 06	Ø10	M 101.06-12 SPB 10	Ø6	M 101.06-12 SPF 06	Ø10	M 101.06-12 SPF 10	
Ø6	M 101.06-12 SPB 06									
Ø10	M 101.06-12 SPB 10									
Ø6	M 101.06-12 SPF 06									
Ø10	M 101.06-12 SPF 10									
<p>Female thread Innengewinde</p> 	<table border="1"> <tr> <td>BSP 1/4</td> <td>M 101.06-12 SFB 13</td> </tr> <tr> <td>NPT 1/4</td> <td>M 101.06-12 SNB 13</td> </tr> <tr> <td>BSP 1/4</td> <td>M 101.06-12 SFF 13</td> </tr> <tr> <td>NPT 1/4</td> <td>M 101.06-12 SNF 13</td> </tr> </table> 	BSP 1/4	M 101.06-12 SFB 13	NPT 1/4	M 101.06-12 SNB 13	BSP 1/4	M 101.06-12 SFF 13	NPT 1/4	M 101.06-12 SNF 13	
BSP 1/4	M 101.06-12 SFB 13									
NPT 1/4	M 101.06-12 SNB 13									
BSP 1/4	M 101.06-12 SFF 13									
NPT 1/4	M 101.06-12 SNF 13									
TYPE K 101.06	Mould side / Abnehmerseite	Item code / Artikelnummer								
<p>6 ↔ 6</p> 	<p>Plate for 12 lines / Platte für 12 Anschlüsse</p> 	<p>K 101.06-12</p>								

rtc TYPE M 101.06

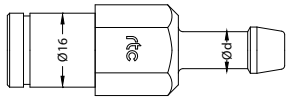


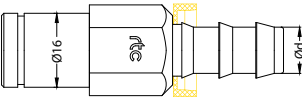


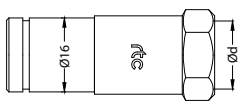


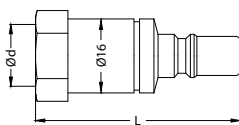


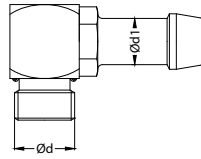
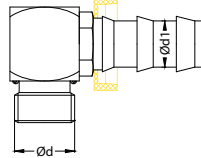
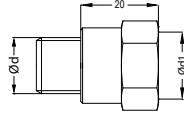
Flow diameter 6 mm / Nennweite 6 mm

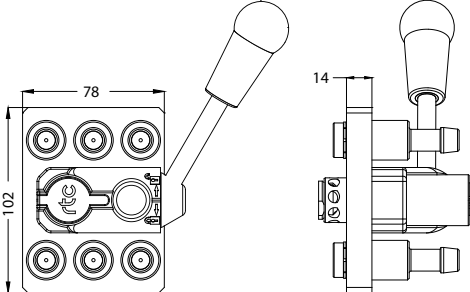

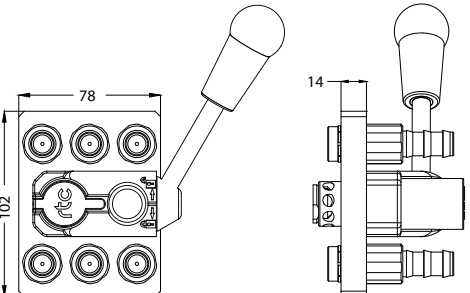

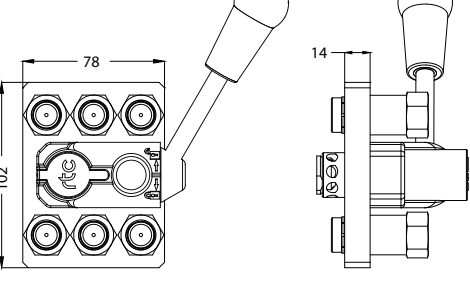

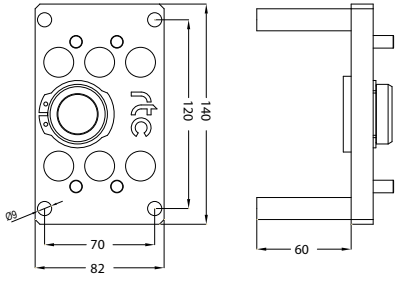

TYPE M 101.06	Mobile side / Versorgerseite	Item code / Artikelnummer								
<p>10 ← → 10</p> 	<p>Standard hose Schlauchanschluss</p> 	<table border="1"> <tr><td>Ø8</td><td>M 101.06-20 SHB 08</td></tr> <tr><td>Ø10</td><td>M 101.06-20 SHB 10</td></tr> <tr><td>Ø8</td><td>M 101.06-20 SHF 08</td></tr> <tr><td>Ø10</td><td>M 101.06-20 SHF 10</td></tr> </table> 	Ø8	M 101.06-20 SHB 08	Ø10	M 101.06-20 SHB 10	Ø8	M 101.06-20 SHF 08	Ø10	M 101.06-20 SHF 10
	Ø8	M 101.06-20 SHB 08								
	Ø10	M 101.06-20 SHB 10								
Ø8	M 101.06-20 SHF 08									
Ø10	M 101.06-20 SHF 10									
<p>Push to connect Steckschlauchanschluss</p> 	<table border="1"> <tr><td>Ø8</td><td>M 101.06-20 SPB 06</td></tr> <tr><td>Ø10</td><td>M 101.06-20 SPB 10</td></tr> <tr><td>Ø6</td><td>M 101.06-20 SPF 06</td></tr> <tr><td>Ø10</td><td>M 101.06-20 SPF 10</td></tr> </table> 	Ø8	M 101.06-20 SPB 06	Ø10	M 101.06-20 SPB 10	Ø6	M 101.06-20 SPF 06	Ø10	M 101.06-20 SPF 10	
Ø8	M 101.06-20 SPB 06									
Ø10	M 101.06-20 SPB 10									
Ø6	M 101.06-20 SPF 06									
Ø10	M 101.06-20 SPF 10									
<p>Female thread Innengewinde</p> 	<table border="1"> <tr><td>BSP 1/4</td><td>M 101.06-20 SFB 13</td></tr> <tr><td>NPT 1/4</td><td>M 101.06-20 SNB 13</td></tr> <tr><td>BSP 1/4</td><td>M 101.06-20 SFF 13</td></tr> <tr><td>NPT 1/4</td><td>M 101.06-20 SNF 13</td></tr> </table> 	BSP 1/4	M 101.06-20 SFB 13	NPT 1/4	M 101.06-20 SNB 13	BSP 1/4	M 101.06-20 SFF 13	NPT 1/4	M 101.06-20 SNF 13	
BSP 1/4	M 101.06-20 SFB 13									
NPT 1/4	M 101.06-20 SNB 13									
BSP 1/4	M 101.06-20 SFF 13									
NPT 1/4	M 101.06-20 SNF 13									

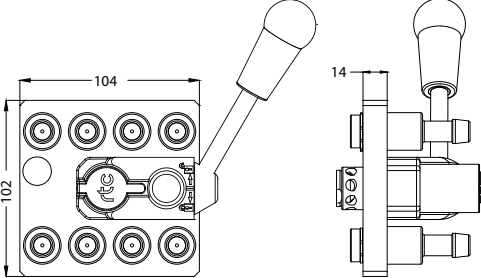
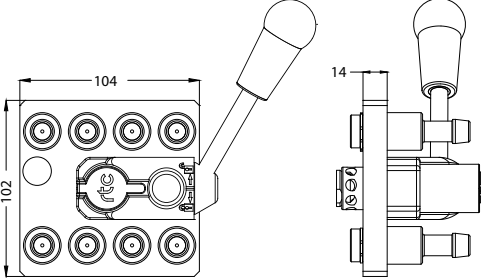
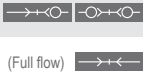

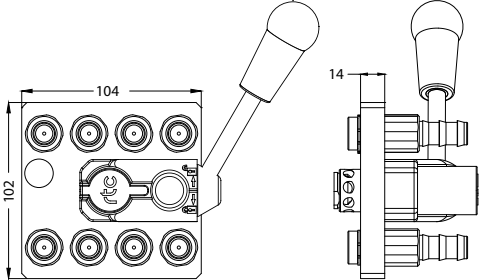
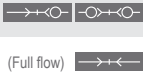

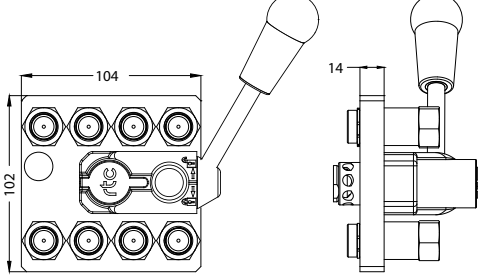


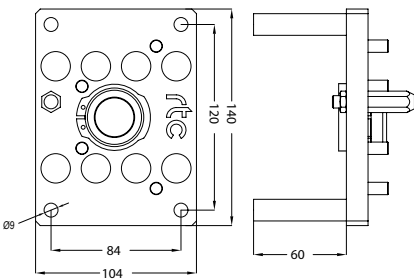

TYPE K 101.06	Mould side / Abnehmerseite	Item code / Artikelnummer
<p>10 ← → 10</p> 	<p>Plate for 20 lines / Platte für 20 Anschlüsse</p> 	<p>K 101.06-20</p>

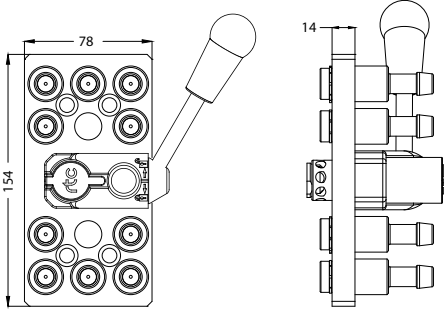

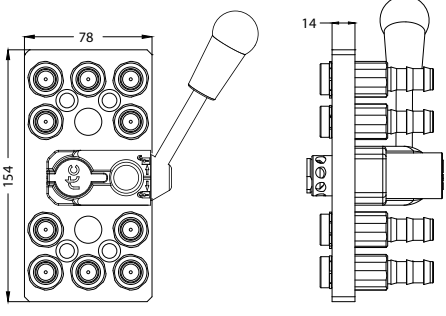

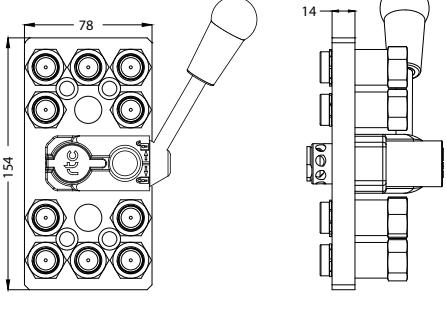

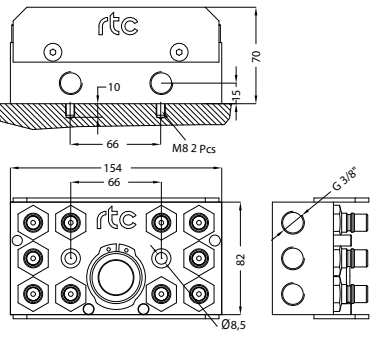

Flow diameter 6 mm / Nennweite 6 mm

TYPE M 101.06 

TYPE M 101.06	Socket / Kupplung			Item code / Artikelnummer	
	Standard hose Schlauchanschluss		Ø8 Ø10	M 101.06 SHB 08 M 101.06 SHB 10	
			Ø8 Ø10	M 101.06 SHF 08 M 101.06 SHF 10	
	Push to connect Steckschlauchanschluss		Ø6 Ø10	M 101.06 SPB 06 M 101.06 SPB 10	
			Ø6 Ø10	M 101.06 SPF 06 M 101.06 SPF 10	
	Female thread Innengewinde		BSP 1/4 NPT 1/4	M 101.06 SFB 13 M 101.06 SNB 13	
			BSP 1/4 NPT 1/4	M 101.06 SFF 13 M 101.06 SNF 13	
TYPE M 101.06	Plug / Nippel			Item code / Artikelnummer	
	Female thread Innengewinde		BSP 1/4 NPT 1/4	M 101.06 PFB 13 M 101.06 PNB 13	
			BSP 1/4 NPT 1/4	M 101.06 PFF 13 M 101.06 PNF 13	
TYPE M 101.06	Adapters elbow / Adapter Winkel			Item code / Artikelnummer	
	Standard hose Schlauchanschluss	BSP 1/4 →	Ø8 Ø10	EBH 13/08-90 EBH 13/10-90	
		NPT 1/4 →	Ø8 Ø10	EBH 13T/08-90 EBH 13T/10-90	
	Push to connect Steckschlauchanschluss	BSP 1/4 →	Ø10	EBP 13/10-90	
		NPT 1/4 →	Ø10	EBP 13T/10-90	
	TE 13-20 BSP 1/4" Male (Ød) - BSP 1/4" Female (Ød1) Extention BSP 1/4" Aussengewinde (Ød) - BSP 1/4" Innengewinde (Ød1) Verlängerung				
		TE 13-13N-20 BSP 1/4" Male (Ød) - NPT 1/4" Female (Ød1) Extention BSP 1/4" Aussengewinde (Ød) - NPT 1/4" Innengewinde (Ød1) Verlängerung			
			TE 13T-13N-20 NPT 1/4" Male (Ød) - NPT 1/4" Female (Ød1) Extention NPT 1/4" Aussengewinde (Ød) - NPT 1/4" Innengewinde (Ød1) Verlängerung		

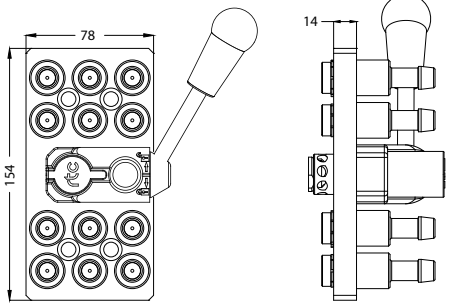
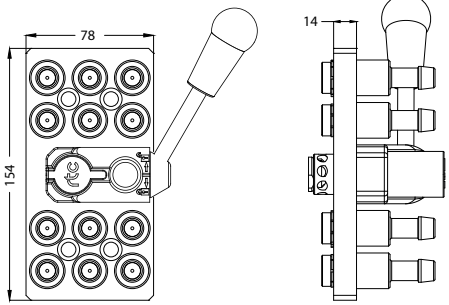
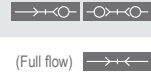

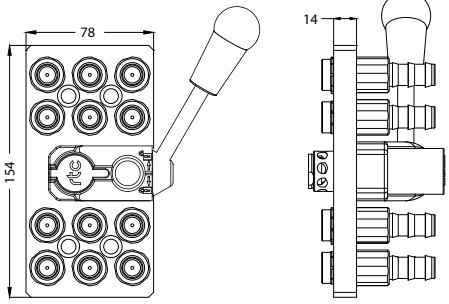
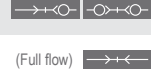

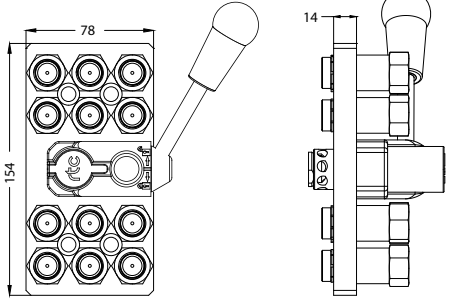
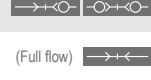

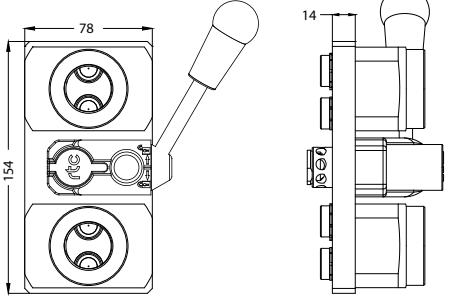


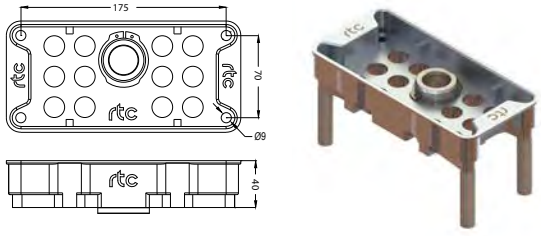
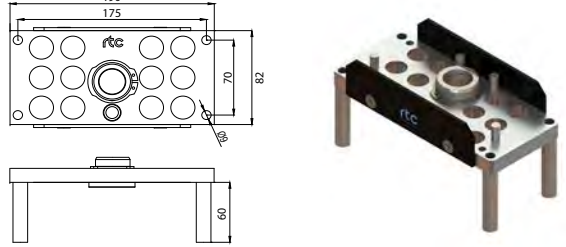
TYPE M 101.09	Mobile side / Versorgerseite	Item code / Artikelnummer												
<p>3 ↔ 3</p> 	<p>Standard hose Schlauchanschluss</p> <table border="0"> <tr> <td></td> <td>Ø10</td> <td>M 101.09-06 SHB 10</td> </tr> <tr> <td></td> <td>Ø12</td> <td>M 101.09-06 SHB 12</td> </tr> <tr> <td>(Full flow) </td> <td>Ø10</td> <td>M 101.09-06 SHF 10</td> </tr> <tr> <td></td> <td>Ø12</td> <td>M 101.09-06 SHF 12</td> </tr> </table> 		Ø10	M 101.09-06 SHB 10		Ø12	M 101.09-06 SHB 12	(Full flow)	Ø10	M 101.09-06 SHF 10		Ø12	M 101.09-06 SHF 12	
	Ø10	M 101.09-06 SHB 10												
	Ø12	M 101.09-06 SHB 12												
(Full flow)	Ø10	M 101.09-06 SHF 10												
	Ø12	M 101.09-06 SHF 12												
<p>3 ↔ 3</p> 	<p>Push to connect Steckschlauchanschluss</p> <table border="0"> <tr> <td></td> <td>Ø10</td> <td>M 101.09-06 SPB 10</td> </tr> <tr> <td></td> <td>Ø13</td> <td>M 101.09-06 SPB 13</td> </tr> <tr> <td>(Full flow) </td> <td>Ø10</td> <td>M 101.09-06 SPF 10</td> </tr> <tr> <td></td> <td>Ø13</td> <td>M 101.09-06 SPF 13</td> </tr> </table> 		Ø10	M 101.09-06 SPB 10		Ø13	M 101.09-06 SPB 13	(Full flow)	Ø10	M 101.09-06 SPF 10		Ø13	M 101.09-06 SPF 13	
	Ø10	M 101.09-06 SPB 10												
	Ø13	M 101.09-06 SPB 13												
(Full flow)	Ø10	M 101.09-06 SPF 10												
	Ø13	M 101.09-06 SPF 13												
<p>3 ↔ 3</p> 	<p>Female thread Innengewinde</p> <table border="0"> <tr> <td></td> <td>BSP 3/8</td> <td>M 101.09-06 SFB 17</td> </tr> <tr> <td></td> <td>NPT 3/8</td> <td>M 101.09-06 SNB 17</td> </tr> <tr> <td>(Full flow) </td> <td>BSP 3/8</td> <td>M 101.09-06 SFF 17</td> </tr> <tr> <td></td> <td>NPT 3/8</td> <td>M 101.09-06 SNF 17</td> </tr> </table> 		BSP 3/8	M 101.09-06 SFB 17		NPT 3/8	M 101.09-06 SNB 17	(Full flow)	BSP 3/8	M 101.09-06 SFF 17		NPT 3/8	M 101.09-06 SNF 17	
	BSP 3/8	M 101.09-06 SFB 17												
	NPT 3/8	M 101.09-06 SNB 17												
(Full flow)	BSP 3/8	M 101.09-06 SFF 17												
	NPT 3/8	M 101.09-06 SNF 17												
TYPE K 101.09	Mould side / Abnehmerseite	Item code / Artikelnummer												
<p>3 ↔ 3</p> 	<p>Plate for 6 lines / Platte für 6 Anschlüsse</p> 	<p>K 101.09-06</p>												

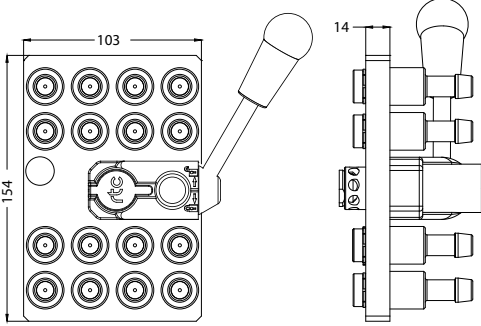
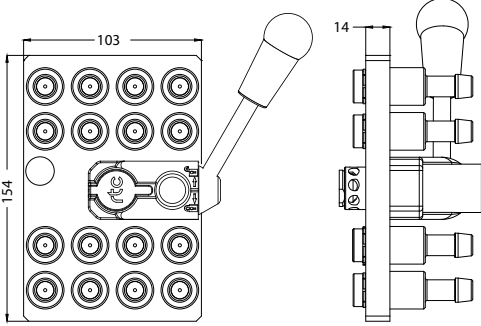



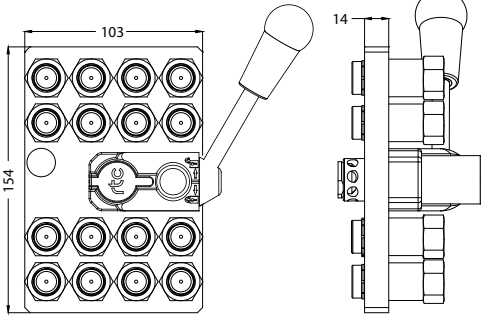
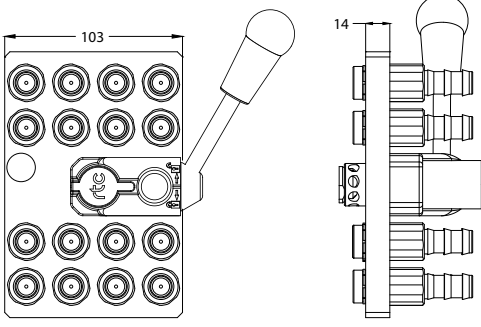


TYPE M 101.09	Mobile side / Versorgerseite		Item code / Artikelnummer
<p>4 ↔ 4</p> 	<p>Standard hose Schlauchanschluss</p> 	 <p>Ø10 Ø12 Ø10 Ø12</p>	<p>M 101.09-08 SHB 10 M 101.09-08 SHB 12 M 101.09-08 SHF 10 M 101.09-08 SHF 12</p> 
	<p>Push to connect Steckschlauchanschluss</p> 	 <p>Ø10 Ø13 Ø10 Ø13</p>	<p>M 101.09-08 SPB 10 M 101.09-08 SPB 13 M 101.09-08 SPF 10 M 101.09-08 SPF 13</p> 
	<p>Female thread Innengewinde</p> 	 <p>BSP 3/8 NPT 3/8 BSP 3/8 NPT 3/8</p>	<p>M 101.09-08 SFB 17 M 101.09-08 SNB 17 M 101.09-08 SFF 17 M 101.09-08 SNF 17</p> 
<p>4 ↔ 4</p> 	<p>Plate for 8 lines / Platte für 8 Anschlüsse</p> 		<p>K 101.09-08</p>

TYPE M 101.09	Mobile side / Versorgerseite	Item code / Artikelnummer								
<p>5 ↔ 5</p> 	<p>Standard hose Schlauchanschluss</p> 	<table border="1"> <tr> <td>Ø10</td> <td>M 101.09-10 SHB 10</td> </tr> <tr> <td>Ø12</td> <td>M 101.09-10 SHB 12</td> </tr> <tr> <td>Ø10 (Full flow)</td> <td>M 101.09-10 SHF 10</td> </tr> <tr> <td>Ø12 (Full flow)</td> <td>M 101.09-10 SHF 12</td> </tr> </table>	Ø10	M 101.09-10 SHB 10	Ø12	M 101.09-10 SHB 12	Ø10 (Full flow)	M 101.09-10 SHF 10	Ø12 (Full flow)	M 101.09-10 SHF 12
Ø10	M 101.09-10 SHB 10									
Ø12	M 101.09-10 SHB 12									
Ø10 (Full flow)	M 101.09-10 SHF 10									
Ø12 (Full flow)	M 101.09-10 SHF 12									
<p>5 ↔ 5</p> 	<p>Push to connect Steckschlauchanschluss</p> 	<table border="1"> <tr> <td>Ø10</td> <td>M 101.09-10 SPB 10</td> </tr> <tr> <td>Ø13</td> <td>M 101.09-10 SPB 13</td> </tr> <tr> <td>Ø10 (Full flow)</td> <td>M 101.09-10 SPF 10</td> </tr> <tr> <td>Ø13 (Full flow)</td> <td>M 101.09-10 SPF 13</td> </tr> </table>	Ø10	M 101.09-10 SPB 10	Ø13	M 101.09-10 SPB 13	Ø10 (Full flow)	M 101.09-10 SPF 10	Ø13 (Full flow)	M 101.09-10 SPF 13
Ø10	M 101.09-10 SPB 10									
Ø13	M 101.09-10 SPB 13									
Ø10 (Full flow)	M 101.09-10 SPF 10									
Ø13 (Full flow)	M 101.09-10 SPF 13									
<p>5 ↔ 5</p> 	<p>Female thread Innengewinde</p> 	<table border="1"> <tr> <td>BSP 3/8</td> <td>M 101.09-10 SFB 17</td> </tr> <tr> <td>NPT 3/8</td> <td>M 101.09-10 SNB 17</td> </tr> <tr> <td>BSP 3/8 (Full flow)</td> <td>M 101.09-10 SFF 17</td> </tr> <tr> <td>NPT 3/8 (Full flow)</td> <td>M 101.09-10 SNF 17</td> </tr> </table>	BSP 3/8	M 101.09-10 SFB 17	NPT 3/8	M 101.09-10 SNB 17	BSP 3/8 (Full flow)	M 101.09-10 SFF 17	NPT 3/8 (Full flow)	M 101.09-10 SNF 17
BSP 3/8	M 101.09-10 SFB 17									
NPT 3/8	M 101.09-10 SNB 17									
BSP 3/8 (Full flow)	M 101.09-10 SFF 17									
NPT 3/8 (Full flow)	M 101.09-10 SNF 17									
TYPE K 101.09	Mould side / Abnehmerseite	Item code / Artikelnummer								
<p>5 ↔ 5</p> 	<p>Plate with 10 plugs Platte mit 10 Anschlüsse</p> 	<table border="1"> <tr> <td>BSP 3/8</td> <td>K 101.09-10 PMB 17</td> </tr> <tr> <td>BSP 3/8 (Full flow)</td> <td>K 101.09-10 PMF 17</td> </tr> </table>	BSP 3/8	K 101.09-10 PMB 17	BSP 3/8 (Full flow)	K 101.09-10 PMF 17				
BSP 3/8	K 101.09-10 PMB 17									
BSP 3/8 (Full flow)	K 101.09-10 PMF 17									

Flow diameter 9 mm / Nennweite 9 mm

TYPE M 101.09 **rtc**

TYPE M 101.09	Mobile side / Versorgerseite		Item code / Artikelnummer
<p>6 ↔ 6</p> 	<p>Standard hose Schlauchanschluss</p> 	 <p>Ø10 Ø12 Ø10 Ø12</p>	<p>M 101.09-12 SHB 10 M 101.09-12 SHB 12 M 101.09-12 SHF 10 M 101.09-12 SHF 12</p> 
	<p>Push to connect Steckschlauchanschluss</p> 	 <p>Ø10 Ø13 Ø10 Ø13</p>	<p>M 101.09-12 SPB 10 M 101.09-12 SPB 13 M 101.09-12 SPF 10 M 101.09-12 SPF 13</p> 
	<p>Female thread Innengewinde</p> 	 <p>BSP 3/8 NPT 3/8 BSP 3/8 NPT 3/8</p>	<p>M 101.09-12 SFB 17 M 101.09-12 SNB 17 M 101.09-12 SFF 17 M 101.09-12 SNF 17</p> 
	<p>Female thread collector Innengewinde Sammler</p> 	 <p>BSP 1 NPT 1</p>	<p>M 101.09-12 C 33 M 101.09-12 CN 33</p> 
<p>TYPE K 101.09</p> <p>6 ↔ 6</p>	<p>Mould side / Abnehmerseite</p>		<p>Item code / Artikelnummer</p>
	<p>K 101.09-12 AD</p> 	<p>Plate for 12 lines / Platte mit 12 Anschlüsse</p> 	<p>K 101.09-12</p>

TYPE M 101.09	Mobile side / Versorgerseite	Item code / Artikelnummer												
<p>8 ↔ 8</p> 	<p>Standard hose Schlauchanschluss</p> 	<table border="1"> <tr> <td></td> <td>Ø10</td> <td>M 101.09-16 SHB 10</td> </tr> <tr> <td></td> <td>Ø12</td> <td>M 101.09-16 SHB 12</td> </tr> <tr> <td>(Full flow) </td> <td>Ø10</td> <td>M 101.09-16 SHF 10</td> </tr> <tr> <td></td> <td>Ø12</td> <td>M 101.09-16 SHF 12</td> </tr> </table> 		Ø10	M 101.09-16 SHB 10		Ø12	M 101.09-16 SHB 12	(Full flow)	Ø10	M 101.09-16 SHF 10		Ø12	M 101.09-16 SHF 12
		Ø10	M 101.09-16 SHB 10											
		Ø12	M 101.09-16 SHB 12											
(Full flow)	Ø10	M 101.09-16 SHF 10												
	Ø12	M 101.09-16 SHF 12												
<p>Push to connect Steckschlauchanschluss</p> 	<table border="1"> <tr> <td></td> <td>Ø10</td> <td>M 101.09-16 SPB 10</td> </tr> <tr> <td></td> <td>Ø13</td> <td>M 101.09-16 SPB 13</td> </tr> <tr> <td>(Full flow) </td> <td>Ø10</td> <td>M 101.09-16 SPF 10</td> </tr> <tr> <td></td> <td>Ø13</td> <td>M 101.09-16 SPF 13</td> </tr> </table> 		Ø10	M 101.09-16 SPB 10		Ø13	M 101.09-16 SPB 13	(Full flow)	Ø10	M 101.09-16 SPF 10		Ø13	M 101.09-16 SPF 13	
	Ø10	M 101.09-16 SPB 10												
	Ø13	M 101.09-16 SPB 13												
(Full flow)	Ø10	M 101.09-16 SPF 10												
	Ø13	M 101.09-16 SPF 13												
<p>Female thread Innengewinde</p> 	<table border="1"> <tr> <td></td> <td>BSP 3/8</td> <td>M 101.09-16 SFB 17</td> </tr> <tr> <td></td> <td>NPT 3/8</td> <td>M 101.09-16 SNB 17</td> </tr> <tr> <td>(Full flow) </td> <td>BSP 3/8</td> <td>M 101.09-16 SFF 17</td> </tr> <tr> <td></td> <td>NPT 3/8</td> <td>M 101.09-16 SNF 17</td> </tr> </table> 		BSP 3/8	M 101.09-16 SFB 17		NPT 3/8	M 101.09-16 SNB 17	(Full flow)	BSP 3/8	M 101.09-16 SFF 17		NPT 3/8	M 101.09-16 SNF 17	
	BSP 3/8	M 101.09-16 SFB 17												
	NPT 3/8	M 101.09-16 SNB 17												
(Full flow)	BSP 3/8	M 101.09-16 SFF 17												
	NPT 3/8	M 101.09-16 SNF 17												
TYPE K 101.09	Mould side / Abnehmerseite	Item code / Artikelnummer												
<p>8 ↔ 8</p> 	<p>Plate for 16 lines / Platte für 16 Anschlüsse</p> 	<p>K 101.09-16</p>												

Flow diameter 9 mm / Nennweite 9 mm

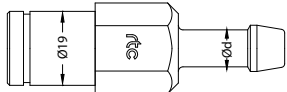

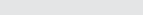

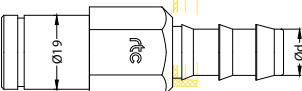

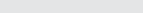

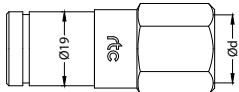

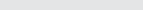
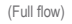
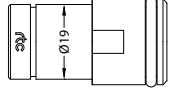


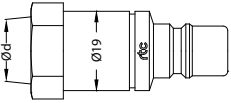

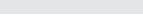

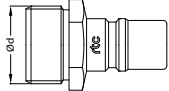


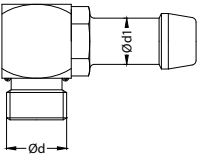
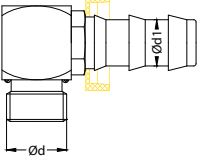
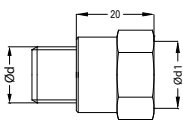
TYPE M 101.09 **rtc**

TYPE M 101.09	Mobile side / Versorgerseite	Item code / Artikelnummer												
<p>10 ↔ 10</p>	<p>Standard hose Schlauchanschluss</p>	<table border="1"> <tr> <td>→+○←</td> <td>Ø10</td> <td>M 101.09-20 SHB 10</td> </tr> <tr> <td>→+○←</td> <td>Ø12</td> <td>M 101.09-20 SHB 12</td> </tr> <tr> <td>(Full flow) →+←</td> <td>Ø10</td> <td>M 101.09-20 SHF 10</td> </tr> <tr> <td>(Full flow) →+←</td> <td>Ø12</td> <td>M 101.09-20 SHF 12</td> </tr> </table>	→+○←	Ø10	M 101.09-20 SHB 10	→+○←	Ø12	M 101.09-20 SHB 12	(Full flow) →+←	Ø10	M 101.09-20 SHF 10	(Full flow) →+←	Ø12	M 101.09-20 SHF 12
	→+○←	Ø10	M 101.09-20 SHB 10											
	→+○←	Ø12	M 101.09-20 SHB 12											
	(Full flow) →+←	Ø10	M 101.09-20 SHF 10											
(Full flow) →+←	Ø12	M 101.09-20 SHF 12												
<p>Push to connect Steckschlauchanschluss</p>	<table border="1"> <tr> <td>→+○←</td> <td>Ø10</td> <td>M 101.09-20 SPB 10</td> </tr> <tr> <td>→+○←</td> <td>Ø13</td> <td>M 101.09-20 SPB 13</td> </tr> <tr> <td>(Full flow) →+←</td> <td>Ø10</td> <td>M 101.09-20 SPF 10</td> </tr> <tr> <td>(Full flow) →+←</td> <td>Ø13</td> <td>M 101.09-20 SPF 13</td> </tr> </table>	→+○←	Ø10	M 101.09-20 SPB 10	→+○←	Ø13	M 101.09-20 SPB 13	(Full flow) →+←	Ø10	M 101.09-20 SPF 10	(Full flow) →+←	Ø13	M 101.09-20 SPF 13	
→+○←	Ø10	M 101.09-20 SPB 10												
→+○←	Ø13	M 101.09-20 SPB 13												
(Full flow) →+←	Ø10	M 101.09-20 SPF 10												
(Full flow) →+←	Ø13	M 101.09-20 SPF 13												
<p>Female thread Innengewinde</p>	<table border="1"> <tr> <td>→+○←</td> <td>BSP 3/8</td> <td>M 101.09-20 SFB 17</td> </tr> <tr> <td>→+○←</td> <td>NPT 3/8</td> <td>M 101.09-20 SNB 17</td> </tr> <tr> <td>(Full flow) →+←</td> <td>BSP 3/8</td> <td>M 101.09-20 SFF 17</td> </tr> <tr> <td>(Full flow) →+←</td> <td>NPT 3/8</td> <td>M 101.09-20 SNF 17</td> </tr> </table>	→+○←	BSP 3/8	M 101.09-20 SFB 17	→+○←	NPT 3/8	M 101.09-20 SNB 17	(Full flow) →+←	BSP 3/8	M 101.09-20 SFF 17	(Full flow) →+←	NPT 3/8	M 101.09-20 SNF 17	
→+○←	BSP 3/8	M 101.09-20 SFB 17												
→+○←	NPT 3/8	M 101.09-20 SNB 17												
(Full flow) →+←	BSP 3/8	M 101.09-20 SFF 17												
(Full flow) →+←	NPT 3/8	M 101.09-20 SNF 17												
<p>Female thread collector Innengewinde Sammler</p>	<table border="1"> <tr> <td>→+○←</td> <td>BSP 1.1/4</td> <td>M 101.09-20 C 42</td> </tr> <tr> <td>→+○←</td> <td>NPT 1.1/4</td> <td>M 101.09-20 CN 42</td> </tr> </table>	→+○←	BSP 1.1/4	M 101.09-20 C 42	→+○←	NPT 1.1/4	M 101.09-20 CN 42							
→+○←	BSP 1.1/4	M 101.09-20 C 42												
→+○←	NPT 1.1/4	M 101.09-20 CN 42												
<p>TYPE K 101.09</p> <p>10 ↔ 10</p>	<p>Mould side / Abnehmerseite</p>	<p>Plate for 20 lines / Platte für 20 Anschlüsse</p> <p>Item code / Artikelnummer: K 101.09-20</p>												

TYPE M 101.09	Mobile side / Versorgerseite	Item code / Artikelnummer									
<p>12 ↔ 12</p>		<p>Standard hose Schlauchanschluss</p>	<table border="1"> <tr> <td>Ø10</td> <td>M 101.09-24 SHB 10</td> </tr> <tr> <td>Ø12</td> <td>M 101.09-24 SHB 12</td> </tr> <tr> <td>Ø10</td> <td>M 101.09-24 SHF 10</td> </tr> <tr> <td>Ø12</td> <td>M 101.09-24 SHF 12</td> </tr> </table>	Ø10	M 101.09-24 SHB 10	Ø12	M 101.09-24 SHB 12	Ø10	M 101.09-24 SHF 10	Ø12	M 101.09-24 SHF 12
	Ø10	M 101.09-24 SHB 10									
	Ø12	M 101.09-24 SHB 12									
	Ø10	M 101.09-24 SHF 10									
Ø12	M 101.09-24 SHF 12										
	<p>Push to connect Steckschlauchanschluss</p>	<table border="1"> <tr> <td>Ø10</td> <td>M 101.09-24 SPB 10</td> </tr> <tr> <td>Ø13</td> <td>M 101.09-24 SPB 13</td> </tr> <tr> <td>Ø10</td> <td>M 101.09-24 SPF 10</td> </tr> <tr> <td>Ø13</td> <td>M 101.09-24 SPF 13</td> </tr> </table>	Ø10	M 101.09-24 SPB 10	Ø13	M 101.09-24 SPB 13	Ø10	M 101.09-24 SPF 10	Ø13	M 101.09-24 SPF 13	
Ø10	M 101.09-24 SPB 10										
Ø13	M 101.09-24 SPB 13										
Ø10	M 101.09-24 SPF 10										
Ø13	M 101.09-24 SPF 13										
	<p>Female thread Innengewinde</p>	<table border="1"> <tr> <td>BSP 3/8</td> <td>M 101.09-24 SFB 17</td> </tr> <tr> <td>NPT 3/8</td> <td>M 101.09-24 SNB 17</td> </tr> <tr> <td>BSP 3/8</td> <td>M 101.09-24 SFF 17</td> </tr> <tr> <td>NPT 3/8</td> <td>M 101.09-24 SNF 17</td> </tr> </table>	BSP 3/8	M 101.09-24 SFB 17	NPT 3/8	M 101.09-24 SNB 17	BSP 3/8	M 101.09-24 SFF 17	NPT 3/8	M 101.09-24 SNF 17	
BSP 3/8	M 101.09-24 SFB 17										
NPT 3/8	M 101.09-24 SNB 17										
BSP 3/8	M 101.09-24 SFF 17										
NPT 3/8	M 101.09-24 SNF 17										
	<p>Female thread collector Innengewinde Sammler</p>	<table border="1"> <tr> <td>BSP 1-1/4</td> <td>M 101.09-24 C 42</td> </tr> <tr> <td>NPT 1-1/4</td> <td>M 101.09-24 CN 42</td> </tr> </table>	BSP 1-1/4	M 101.09-24 C 42	NPT 1-1/4	M 101.09-24 CN 42					
BSP 1-1/4	M 101.09-24 C 42										
NPT 1-1/4	M 101.09-24 CN 42										
TYPE K 101.09	Mould side / Abnehmerseite	Item code / Artikelnummer									
<p>12 ↔ 12</p>		<p>Plate for 24 lines / Platte für 24 Anschlüsse</p>	<p>K 101.09-24</p>								

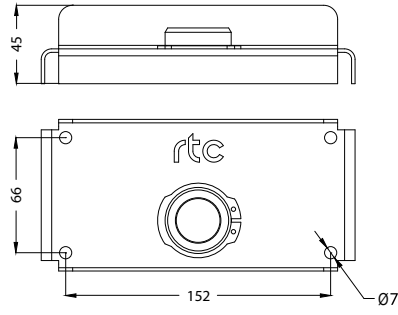

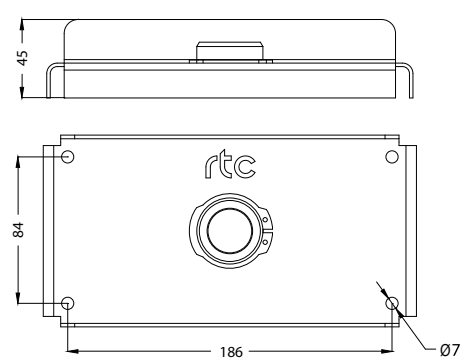

Flow diameter 9 mm / Nennweite 9 mm

TYPE M 101.09 

TYPE M 101.09	Sockets / Kupplungen	Connection / Anschluss	Item code / Artikelnummer
	Standard hose Schlauchanschluss	 Ø10	M 101.09 SHB 10
		 Ø12	M 101.09 SHB 12
	(Full flow) 	Ø10	M 101.09 SHF 10
		Ø12	M 101.09 SHF 12
	Push to connect Steckschlauchanschluss	 Ø10	M 101.09 SPB 10
		 Ø13	M 101.09 SPB 13
(Full flow) 		Ø10	M 101.09 SPF 10
		Ø13	M 101.09 SPF 13
	Female thread Innengewinde	 BSP 3/8	M 101.09 SFB 17
		 NPT 3/8	M 101.09 SNB 17
(Full flow) 		BSP 3/8	M 101.09 SFF 17
		NPT 3/8	M 101.09 SNF 17
	For collector Für Sammler		M 101.09 SAB 00
		(Full flow) 	M 101.09 SAF 00
TYPE M 101.09	Plugs / Nippel	Connection / Anschluss	Item code / Artikelnummer
	Female thread Innengewinde	 BSP 3/8	M 101.09 PFB 17
		 NPT 3/8	M 101.09 PNB 17
(Full flow) 		BSP 3/8	M 101.09 PFF 17
		NPT 3/8	M 101.09 PNF 17
	Male thread Aussengewinde	 BSP 1/2	M 101.09 PMB 21
		(Full flow) 	BSP 1/2
TYPE M 101.09	Adapters elbow / Adapter Winkel	Connection / Anschluss	Item code / Artikelnummer
	Standard hose Schlauchanschluss	BSP 3/8 → Ø10	EBH 17/10-90
		→ Ø12	EBH 17/12-90
		NPT 3/8 → Ø10	EBH 17T/10-90
		→ Ø12	EBH 17T/12-90
	Push to connect Steckschlauchanschluss	BSP 3/8 → Ø10	EBP 17/10-90
		→ Ø13	EBP 17/13-90
		NPT 3/8 → Ø10	EBP 17T/10-90
		→ Ø13	EBP 17T/13-90
	TE 17-20 BSP 3/8" Male (Ød) - BSP 3/8" Female (Ød1) Extention BSP 3/8" Aussengewinde (Ød) - BSP 3/8" Innengewinde (Ød1) Verlängerung		
	TE 17-17N-20 BSP 3/8" Male (Ød) - NPT 3/8" Female (Ød1) Extention BSP 3/8" Aussengewinde (Ød) - NPT 3/8" Innengewinde (Ød1) Verlängerung		
	TE 17T-17N-20 NPT 3/8" Male (Ød) - NPT 3/8" Female (Ød1) Extention NPT 3/8" Aussengewinde (Ød) - NPT 3/8" Innengewinde (Ød1) Verlängerung		

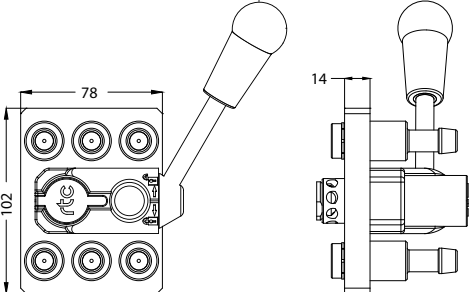
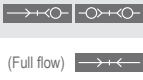
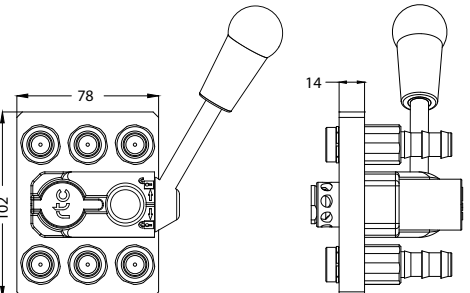
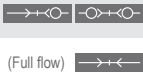
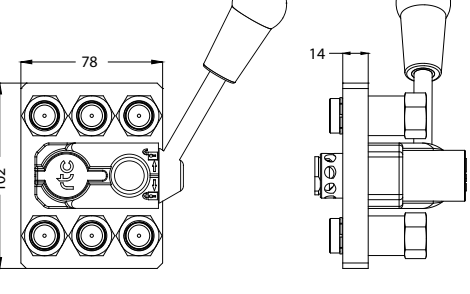

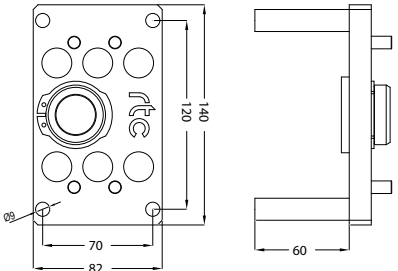

rtc TYPE M 101.09

Flow diameter 9 mm / Nennweite 9 mm

TYPE M 101.09	Parking plate / Parkplatte			Item code / Artikelnummer
		For mobile side Für Versorgerseiten	6 / 10 / 12	M 101.09-12 PP
		For mobile side Für Versorgerseiten	8 / 16 / 20 / 24	M 101.09-24 PP
				

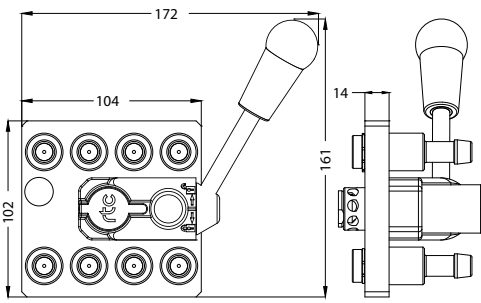

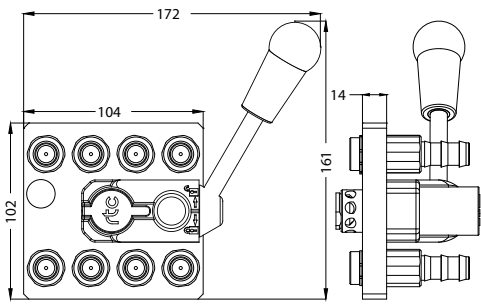

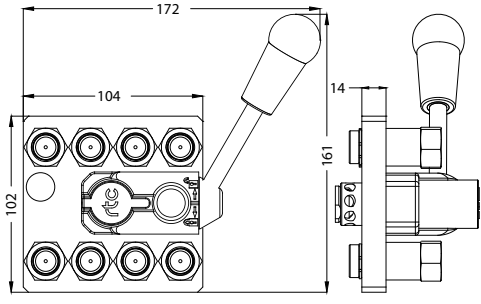

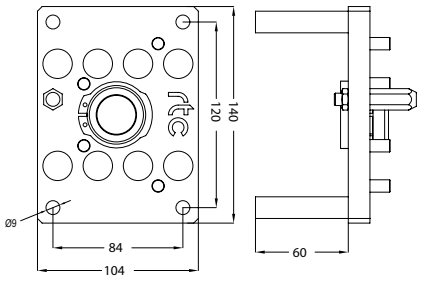

Flow diameter 10 mm / Nennweite 10 mm

TYPE M 101.10 **rtc**

TYPE M 101.10	Mobile side / Versorgerseite		Item code / Artikelnummer
<p>3 ↔ 3</p>		<p>Standard hose Schlauchanschluss</p> 	<p>Ø10 Ø12 Ø10 Ø12</p> <p>M 101.10-06 SHB 10 M 101.10-06 SHB 12 M 101.10-06 SHF 10 M 101.10-06 SHF 12</p>
		<p>Push to connect Steckschlauchanschluss</p> 	<p>Ø10 Ø13 Ø10 Ø13</p> <p>M 101.10-06 SPB 10 M 101.10-06 SPB 13 M 101.10-06 SPF 10 M 101.10-06 SPF 13</p>
		<p>Female thread Innengewinde</p> 	<p>BSP 3/8 NPT 3/8 BSP 3/8 NPT 3/8</p> <p>M 101.10-06 SFB 17 M 101.10-06 SNB 17 M 101.10-06 SFF 17 M 101.10-06 SNF 17</p>
<p>3 ↔ 3</p>	<p>Mould side / Abnehmerseite</p> 		<p>Item code / Artikelnummer</p> <p>Plate for 6 lines / Platte für 6 Anschlüsse</p> <p>K 101.10-06</p> 

rtc TYPE M 101.10

Flow diameter 10 mm / Nennweite 10 mm

TYPE M 101.10	Mobile side / Versorgerseite		Item code / Artikelnummer												
<p>4 ↔ 4</p> 	<p>Standard hose Schlauchanschluss</p> 	<table border="1"> <tr> <td></td> <td>Ø10</td> <td>M 101.10-08 SHB 10</td> </tr> <tr> <td></td> <td>Ø12</td> <td>M 101.10-08 SHB 12</td> </tr> <tr> <td>(Full flow) </td> <td>Ø10</td> <td>M 101.10-08 SHF 10</td> </tr> <tr> <td></td> <td>Ø12</td> <td>M 101.10-08 SHF 12</td> </tr> </table>		Ø10	M 101.10-08 SHB 10		Ø12	M 101.10-08 SHB 12	(Full flow)	Ø10	M 101.10-08 SHF 10		Ø12	M 101.10-08 SHF 12	
	Ø10	M 101.10-08 SHB 10													
	Ø12	M 101.10-08 SHB 12													
(Full flow)	Ø10	M 101.10-08 SHF 10													
	Ø12	M 101.10-08 SHF 12													
<p>4 ↔ 4</p> 	<p>Push to connect Steckschlauchanschluss</p> 	<table border="1"> <tr> <td></td> <td>Ø10</td> <td>M 101.10-08 SPB 10</td> </tr> <tr> <td></td> <td>Ø13</td> <td>M 101.10-08 SPB 13</td> </tr> <tr> <td>(Full flow) </td> <td>Ø10</td> <td>M 101.10-08 SPF 10</td> </tr> <tr> <td></td> <td>Ø13</td> <td>M 101.10-08 SPF 13</td> </tr> </table>		Ø10	M 101.10-08 SPB 10		Ø13	M 101.10-08 SPB 13	(Full flow)	Ø10	M 101.10-08 SPF 10		Ø13	M 101.10-08 SPF 13	
	Ø10	M 101.10-08 SPB 10													
	Ø13	M 101.10-08 SPB 13													
(Full flow)	Ø10	M 101.10-08 SPF 10													
	Ø13	M 101.10-08 SPF 13													
<p>4 ↔ 4</p> 	<p>Female thread Innengewinde</p> 	<table border="1"> <tr> <td></td> <td>BSP 3/8</td> <td>M 101.10-08 SFB 17</td> </tr> <tr> <td></td> <td>NPT 3/8</td> <td>M 101.10-08 SNB 17</td> </tr> <tr> <td>(Full flow) </td> <td>BSP 3/8</td> <td>M 101.10-08 SFF 17</td> </tr> <tr> <td></td> <td>NPT 3/8</td> <td>M 101.10-08 SNF 17</td> </tr> </table>		BSP 3/8	M 101.10-08 SFB 17		NPT 3/8	M 101.10-08 SNB 17	(Full flow)	BSP 3/8	M 101.10-08 SFF 17		NPT 3/8	M 101.10-08 SNF 17	
	BSP 3/8	M 101.10-08 SFB 17													
	NPT 3/8	M 101.10-08 SNB 17													
(Full flow)	BSP 3/8	M 101.10-08 SFF 17													
	NPT 3/8	M 101.10-08 SNF 17													
TYPE K 101.10	Mould side / Abnehmerseite		Item code / Artikelnummer												
<p>4 ↔ 4</p> 	<p>Plate for 8 lines / Platte für 8 Anschlüsse</p> 		<p>K 101.10-08</p>												

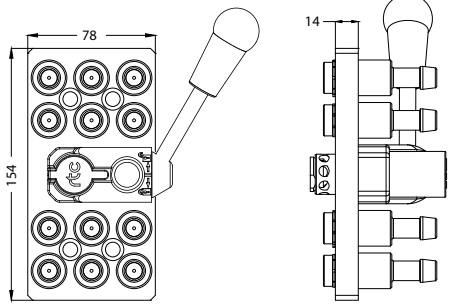

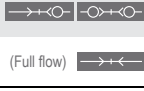





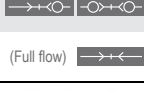

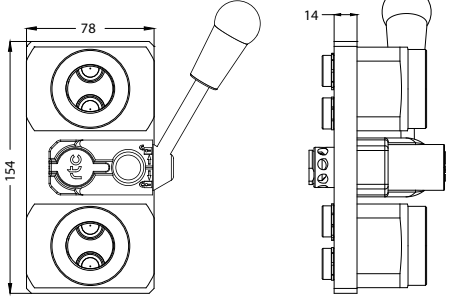
Flow diameter 10mm / Nennweite 10 mm

TYPE M 101.10 **rtc**

TYPE M 101.10	Mobile side / Versorgerseite	Item code / Artikelnummer												
<p>5 ↔ 5</p>		<p>Standard hose Schlauchanschluss</p> <table border="1"> <tr> <td></td> <td>Ø10</td> <td>M 101.10-10 SHB 10</td> </tr> <tr> <td></td> <td>Ø12</td> <td>M 101.10-10 SHB 12</td> </tr> <tr> <td>(Full flow) </td> <td>Ø10</td> <td>M 101.10-10 SHF 10</td> </tr> <tr> <td></td> <td>Ø12</td> <td>M 101.10-10 SHF 12</td> </tr> </table>		Ø10	M 101.10-10 SHB 10		Ø12	M 101.10-10 SHB 12	(Full flow)	Ø10	M 101.10-10 SHF 10		Ø12	M 101.10-10 SHF 12
		Ø10	M 101.10-10 SHB 10											
		Ø12	M 101.10-10 SHB 12											
(Full flow)	Ø10	M 101.10-10 SHF 10												
	Ø12	M 101.10-10 SHF 12												
	<p>Push to connect Steckschlauchanschluss</p> <table border="1"> <tr> <td></td> <td>Ø10</td> <td>M 101.10-10 SPB 10</td> </tr> <tr> <td></td> <td>Ø13</td> <td>M 101.10-10 SPB 13</td> </tr> <tr> <td>(Full flow) </td> <td>Ø10</td> <td>M 101.10-10 SPF 10</td> </tr> <tr> <td></td> <td>Ø13</td> <td>M 101.10-10 SPF 13</td> </tr> </table>		Ø10	M 101.10-10 SPB 10		Ø13	M 101.10-10 SPB 13	(Full flow)	Ø10	M 101.10-10 SPF 10		Ø13	M 101.10-10 SPF 13	
	Ø10	M 101.10-10 SPB 10												
	Ø13	M 101.10-10 SPB 13												
(Full flow)	Ø10	M 101.10-10 SPF 10												
	Ø13	M 101.10-10 SPF 13												
	<p>Female thread Innengewinde</p> <table border="1"> <tr> <td></td> <td>BSP 3/8</td> <td>M 101.10-10 SFB 17</td> </tr> <tr> <td></td> <td>NPT 3/8</td> <td>M 101.10-10 SNB 17</td> </tr> <tr> <td>(Full flow) </td> <td>BSP 3/8</td> <td>M 101.10-10 SFF 17</td> </tr> <tr> <td></td> <td>NPT 3/8</td> <td>M 101.10-10 SNF 17</td> </tr> </table>		BSP 3/8	M 101.10-10 SFB 17		NPT 3/8	M 101.10-10 SNB 17	(Full flow)	BSP 3/8	M 101.10-10 SFF 17		NPT 3/8	M 101.10-10 SNF 17	
	BSP 3/8	M 101.10-10 SFB 17												
	NPT 3/8	M 101.10-10 SNB 17												
(Full flow)	BSP 3/8	M 101.10-10 SFF 17												
	NPT 3/8	M 101.10-10 SNF 17												
TYPE K 101.10	Mould side / Abnehmerseite	Item code / Artikelnummer												
<p>5 ↔ 5</p>		<p>Plate with 10 plugs Platte mit 10 Anschlüsse</p> <table border="1"> <tr> <td></td> <td>BSP 3/8</td> <td>K 101.10-10 PMB 17</td> </tr> <tr> <td>(Full flow) </td> <td>BSP 3/8</td> <td>K 101.10-10 PMF 17</td> </tr> </table>		BSP 3/8	K 101.10-10 PMB 17	(Full flow)	BSP 3/8	K 101.10-10 PMF 17						
	BSP 3/8	K 101.10-10 PMB 17												
(Full flow)	BSP 3/8	K 101.10-10 PMF 17												


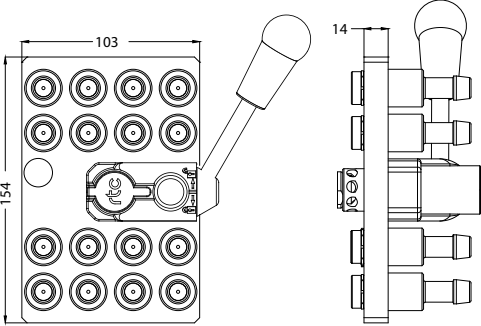







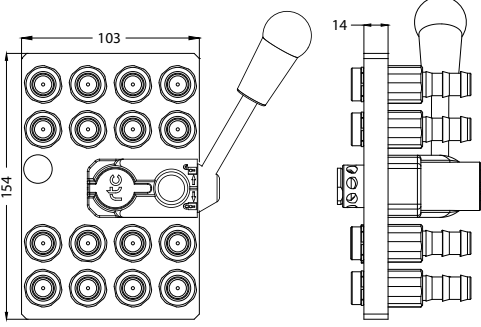







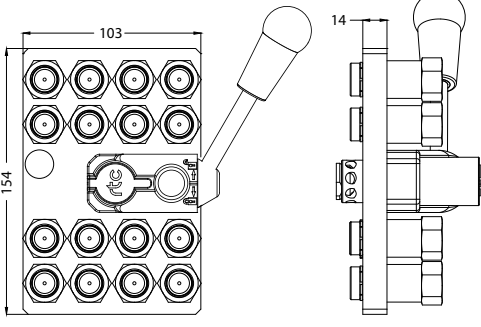








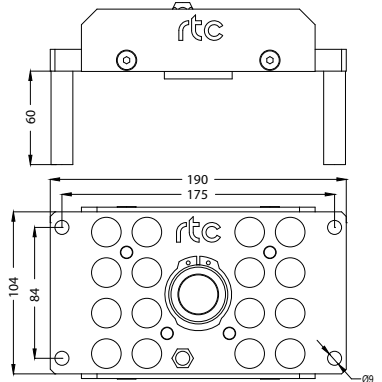

rtc TYPE M101.10

Flow diameter 10 mm / Nennweite 10 mm

TYPE M 101.10	Mobile side / Versorgerseite		Item code / Artikelnummer
<p>6 ↔ 6</p> 	<p>Standard hose Schlauchanschluss</p> 	<p>Ø10 Ø12 Ø10 Ø12</p>	<p>M 101.10-12 SHB 10 M 101.10-12 SHB 12 M 101.10-12 SHF 10 M 101.10-12 SHF 12</p> 
	<p>Push to connect Steckschlauchanschluss</p> 	<p>Ø10 Ø13 Ø10 Ø13</p>	<p>M 101.10-12 SPB 10 M 101.10-12 SPB 13 M 101.10-12 SPF 10 M 101.10-12 SPF 13</p> 
	<p>Female thread Innengewinde</p> 	<p>BSP 3/8 NPT 3/8 BSP 3/8 NPT 3/8</p>	<p>M 101.10-12 SFB 17 M 101.10-12 SNB 17 M 101.10-12 SFF 17 M 101.10-12 SNF 17</p> 
	<p>Female thread collector Innengewinde Sammler</p> 	<p>BSP 1 NPT 1</p>	<p>M 101.10-12 C 33 M 101.10-12 CN 33</p> 
	<p>K 101.10-12 AD</p> 	<p>Plate for 12 lines / Platte mit 12 Anschlüsse</p> 	
<p>6 ↔ 6</p>	<p>TYPE K 101.10 Mould side / Abnehmerseite</p>		<p>Item code / Artikelnummer</p>

Flow diameter 10 mm / Nennweite 10 mm

TYPE M 101.10 **rtc**

TYPE M 101.10	Mobile side / Versorgerseite	Item code / Artikelnummer												
		<p>Standard hose Schlauchanschluss</p> <table border="0"> <tr> <td></td> <td>Ø10</td> <td>M 101.10-16 SHB 10</td> </tr> <tr> <td></td> <td>Ø12</td> <td>M 101.10-16 SHB 12</td> </tr> <tr> <td>(Full flow) </td> <td>Ø10</td> <td>M 101.10-16 SHF 10</td> </tr> <tr> <td></td> <td>Ø12</td> <td>M 101.10-16 SHF 12</td> </tr> </table> 		Ø10	M 101.10-16 SHB 10		Ø12	M 101.10-16 SHB 12	(Full flow) 	Ø10	M 101.10-16 SHF 10		Ø12	M 101.10-16 SHF 12
		Ø10	M 101.10-16 SHB 10											
		Ø12	M 101.10-16 SHB 12											
(Full flow) 	Ø10	M 101.10-16 SHF 10												
	Ø12	M 101.10-16 SHF 12												
	<p>Push to connect Steckschlauchanschluss</p> <table border="0"> <tr> <td></td> <td>Ø10</td> <td>M 101.10-16 SPB 10</td> </tr> <tr> <td></td> <td>Ø13</td> <td>M 101.10-16 SPB 13</td> </tr> <tr> <td>(Full flow) </td> <td>Ø10</td> <td>M 101.10-16 SPF 10</td> </tr> <tr> <td></td> <td>Ø13</td> <td>M 101.10-16 SPF 13</td> </tr> </table> 		Ø10	M 101.10-16 SPB 10		Ø13	M 101.10-16 SPB 13	(Full flow) 	Ø10	M 101.10-16 SPF 10		Ø13	M 101.10-16 SPF 13	
	Ø10	M 101.10-16 SPB 10												
	Ø13	M 101.10-16 SPB 13												
(Full flow) 	Ø10	M 101.10-16 SPF 10												
	Ø13	M 101.10-16 SPF 13												
	<p>Female thread Innengewinde</p> <table border="0"> <tr> <td></td> <td>BSP 3/8</td> <td>M 101.10-16 SFB 17</td> </tr> <tr> <td></td> <td>NPT 3/8</td> <td>M 101.10-16 SNB 17</td> </tr> <tr> <td>(Full flow) </td> <td>BSP 3/8</td> <td>M 101.10-16 SFF 17</td> </tr> <tr> <td></td> <td>NPT 3/8</td> <td>M 101.10-16 SNF 17</td> </tr> </table> 		BSP 3/8	M 101.10-16 SFB 17		NPT 3/8	M 101.10-16 SNB 17	(Full flow) 	BSP 3/8	M 101.10-16 SFF 17		NPT 3/8	M 101.10-16 SNF 17	
	BSP 3/8	M 101.10-16 SFB 17												
	NPT 3/8	M 101.10-16 SNB 17												
(Full flow) 	BSP 3/8	M 101.10-16 SFF 17												
	NPT 3/8	M 101.10-16 SNF 17												
TYPE K 101.10	Mould side / Abnehmerseite	Item code / Artikelnummer												
		<p>Plate for 16 lines / Platte für 16 Anschlüsse</p> <p>K 101.10-16</p> 												

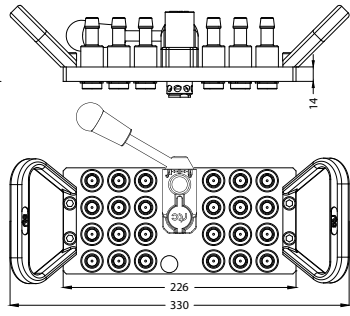



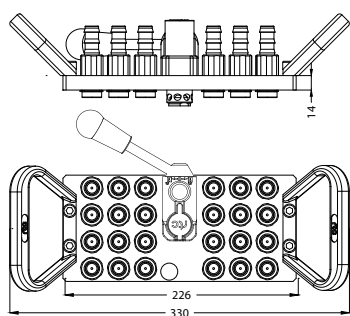



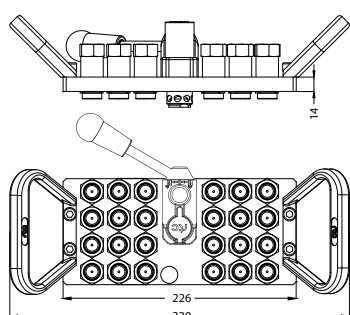



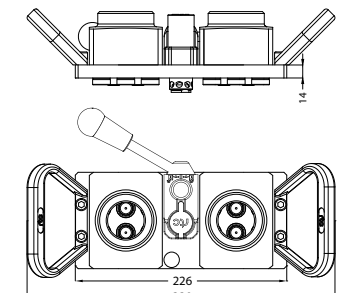


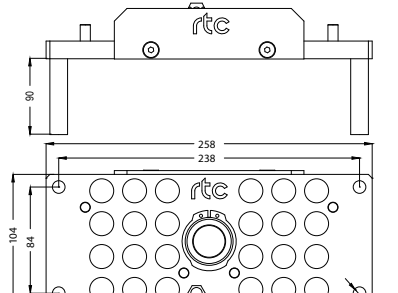

rtc TYPE M 101.10

Flow diameter 10 mm / Nennweite 10 mm

TYPE M 101.10	Mobile side / Versorgerseite	Item code / Artikelnummer													
<p>10 ↔ 10</p>		<p>Standard hose Schlauchanschluss</p>	<table border="1"> <tr> <td></td> <td>Ø10</td> <td>M 101.10-20 SHB 10</td> </tr> <tr> <td></td> <td>Ø12</td> <td>M 101.10-20 SHB 12</td> </tr> <tr> <td>(Full flow) </td> <td>Ø10</td> <td>M 101.10-20 SHF 10</td> </tr> <tr> <td></td> <td>Ø12</td> <td>M 101.10-20 SHF 12</td> </tr> </table>		Ø10	M 101.10-20 SHB 10		Ø12	M 101.10-20 SHB 12	(Full flow)	Ø10	M 101.10-20 SHF 10		Ø12	M 101.10-20 SHF 12
		Ø10	M 101.10-20 SHB 10												
		Ø12	M 101.10-20 SHB 12												
	(Full flow)	Ø10	M 101.10-20 SHF 10												
	Ø12	M 101.10-20 SHF 12													
	<p>Push to connect Steckschlauchanschluss</p>	<table border="1"> <tr> <td></td> <td>Ø10</td> <td>M 101.10-20 SPB 10</td> </tr> <tr> <td></td> <td>Ø13</td> <td>M 101.10-20 SPB 13</td> </tr> <tr> <td>(Full flow) </td> <td>Ø10</td> <td>M 101.10-20 SPF 10</td> </tr> <tr> <td></td> <td>Ø13</td> <td>M 101.10-20 SPF 13</td> </tr> </table>		Ø10	M 101.10-20 SPB 10		Ø13	M 101.10-20 SPB 13	(Full flow)	Ø10	M 101.10-20 SPF 10		Ø13	M 101.10-20 SPF 13	
	Ø10	M 101.10-20 SPB 10													
	Ø13	M 101.10-20 SPB 13													
(Full flow)	Ø10	M 101.10-20 SPF 10													
	Ø13	M 101.10-20 SPF 13													
	<p>Female thread Innengewinde</p>	<table border="1"> <tr> <td></td> <td>BSP 3/8</td> <td>M 101.10-20 SFB 17</td> </tr> <tr> <td></td> <td>NPT 3/8</td> <td>M 101.10-20 SNB 17</td> </tr> <tr> <td>(Full flow) </td> <td>BSP 3/8</td> <td>M 101.10-20 SFF 17</td> </tr> <tr> <td></td> <td>NPT 3/8</td> <td>M 101.10-20 SNF 17</td> </tr> </table>		BSP 3/8	M 101.10-20 SFB 17		NPT 3/8	M 101.10-20 SNB 17	(Full flow)	BSP 3/8	M 101.10-20 SFF 17		NPT 3/8	M 101.10-20 SNF 17	
	BSP 3/8	M 101.10-20 SFB 17													
	NPT 3/8	M 101.10-20 SNB 17													
(Full flow)	BSP 3/8	M 101.10-20 SFF 17													
	NPT 3/8	M 101.10-20 SNF 17													
	<p>Female thread collector Innengewinde Sammler</p>	<table border="1"> <tr> <td></td> <td>BSP 1.1/4</td> <td>M 101.10-20 C 42</td> </tr> <tr> <td></td> <td>NPT 1.1/4</td> <td>M 101.10-20 CN 42</td> </tr> </table>		BSP 1.1/4	M 101.10-20 C 42		NPT 1.1/4	M 101.10-20 CN 42							
	BSP 1.1/4	M 101.10-20 C 42													
	NPT 1.1/4	M 101.10-20 CN 42													
<p>10 ↔ 10</p>	<p>TYPE K 101.10</p> <p>Mould side / Abnehmerseite</p>	<p>Plate for 20 lines / Platte für 20 Anschlüsse</p> <p>Item code / Artikelnummer: K 101.10-20</p>													

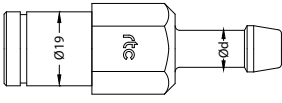


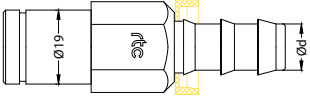


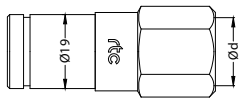


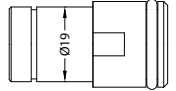

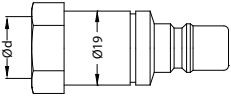


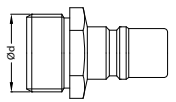


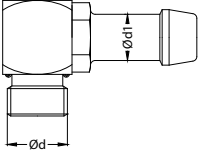
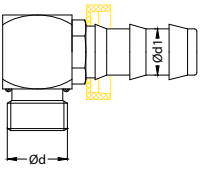
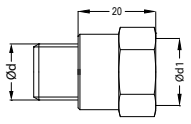
Flow diameter 10 mm / Nennweite 10 mm

TYPE M 101.10 

TYPE M 101.10	Mobile side / Versorgerseite	Item code / Artikelnummer	
<p>12 ↔ 12</p>		<p>Standard hose Schlauchanschluss</p> <p>   </p>	<p> Ø10 M 101.10-24 SHB 10 Ø12 M 101.10-24 SHB 12 Ø10 M 101.10-24 SHF 10 Ø12 M 101.10-24 SHF 12 </p> 
		<p>Push to connect Steckschlauchanschluss</p> <p>   </p>	<p> Ø10 M 101.10-24 SPB 10 Ø13 M 101.10-24 SPB 13 Ø10 M 101.10-24 SPF 10 Ø13 M 101.10-24 SPF 13 </p> 
		<p>Female thread Innengewinde</p> <p>   </p>	<p> BSP 3/8 M 101.10-24 SFB 17 NPT 3/8 M 101.10-24 SNB 17 BSP 3/8 M 101.10-24 SFF 17 NPT 3/8 M 101.10-24 SNF 17 </p> 
		<p>Female thread collector Innengewinde Sammler</p> <p>  </p>	<p> BSP 1-1/4 M 101.10-24 C 42 NPT 1-1/4 M 101.10-24 CN 42 </p> 
<p>TYPE K 101.10</p> <p>12 ↔ 12</p>	<p>Mould side / Abnehmerseite</p> 	<p>Plate for 24 lines / Platte für 24 Anschlüsse</p> <p>Item code / Artikelnummer: K 101.10-24</p> 	

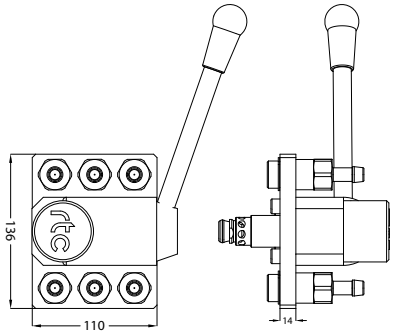

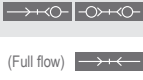



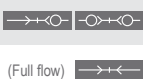
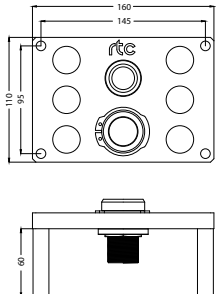

rtc TYPE M 101.10

Flow diameter 10 mm / Nennweite 10 mm

TYPE M 101.10	Sockets / Kupplungen	Connection / Anschluss	Item code / Artikelnummer
		Standard hose Schlauchanschluss  Ø10 Ø12 (Full flow)  Ø10 Ø12	M 101.10 SHB 10 M 101.10 SHB 12 M 101.10 SHF 10 M 101.10 SHF 12
			Push to connect Steckschlauchanschluss  Ø10 Ø13 (Full flow)  Ø10 Ø13
			Female thread Innengewinde  BSP 3/8 NPT 3/8 (Full flow)  BSP 3/8 NPT 3/8
			For collector Für Sammler 
TYPE M 101.10	Plugs / Nippel	Connection / Anschluss	Item code / Artikelnummer
		Female thread Innengewinde  BSP 3/8 NPT 3/8 (Full flow)  BSP 3/8 NPT 3/8	M 101.10 PFB 17 M 101.10 PNB 17 M 101.10 PFF 17 M 101.10 PNF 17
			Male thread Aussengewinde  BSP 1/2 (Full flow)  BSP 1/2
TYPE M 101.10	Adapters elbow / Adapter Winkel		Connection / Anschluss
		Standard hose Schlauchanschluss BSP 3/8 → Ø10 Ø12 NPT 3/8 → Ø10 Ø12	EBH 17/10-90 EBH 17/12-90 EBH 17T/10-90 EBH 17T/12-90
			Push to connect Steckschlauchanschluss BSP 3/8 → Ø10 Ø13 NPT 3/8 → Ø10 Ø13
			TE 17-20 BSP 3/8" Male (Ød) - BSP 3/8" Female (Ød1) Extention BSP 3/8" Aussengewinde (Ød) - BSP 3/8" Innengewinde (Ød1) Verlängerung TE 17-17N-20 BSP 3/8" Male (Ød) - NPT 3/8" Female (Ød1) Extention BSP 3/8" Aussengewinde (Ød) - NPT 3/8" Innengewinde (Ød1) Verlängerung TE 17T-17N-20 NPT 3/8" Male (Ød) - NPT 3/8" Female (Ød1) Extention NPT 3/8" Aussengewinde (Ød) - NPT 3/8" Innengewinde (Ød1) Verlängerung

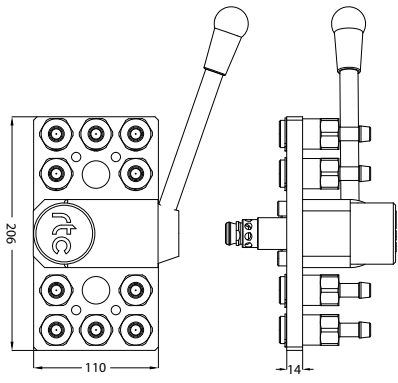



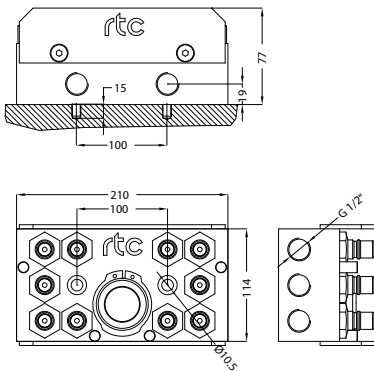

Flow diameter 12 mm / Nennweite 12 mm

TYPE M 101.12 **rtc**

TYPE M 101.12	Mobile side / Versorgerseite		Item code / Artikelnummer
<p>3 ↔ 3</p> 	<p>Standard hose Schlauchanschluss</p> 	 <p>Ø12 Ø16 Ø12 Ø16</p>	<p>M 101.12-06 SHB 12 M 101.12-06 SHB 16 M 101.12-06 SHF 12 M 101.12-06 SHF 16</p>
	<p>Push to connect Steckschlauchanschluss</p> 	 <p>Ø13 Ø16 Ø13 Ø16</p>	<p>M 101.12-06 SPB 13 M 101.12-06 SPB 16 M 101.12-06 SPF 13 M 101.12-06 SPF 16</p>
	<p>Female thread Innengewinde</p> 	 <p>BSP 1/2 NPT 1/2 BSP 1/2 NPT 1/2</p>	<p>M 101.12-06 SFB 21 M 101.12-06 SNB 21 M 101.12-06 SFF 21 M 101.12-06 SNF 21</p>
TYPE K 101.12	Mould side / Abnehmerseite		Item code / Artikelnummer
<p>3 ↔ 3</p> 	<p>Plate for 6 lines / Platte für 6 Anschlüsse</p> 		<p>K 101.12-06</p>

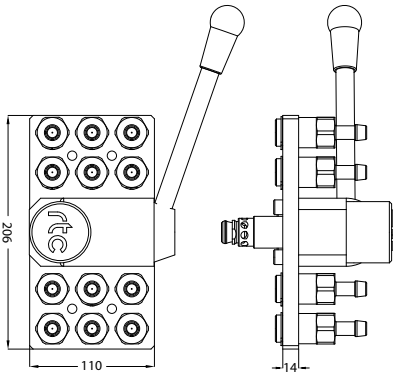









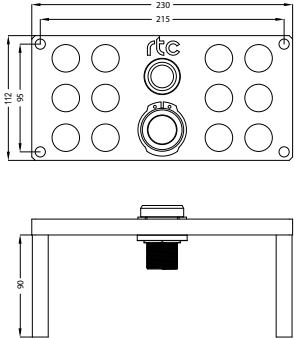

rtc TYPE M 101.12

Flow diameter 12 mm / Nennweite 12 mm

TYPE M 101.12	Mobile side / Versorgerseite	Item code / Artikelnummer								
<p>5 ↔ 5</p> 	<p>Standard hose Schlauchanschluss</p> 	<table border="1"> <tr> <td>Ø12</td> <td>M 101.12-10 SHB 12</td> </tr> <tr> <td>Ø16</td> <td>M 101.12-10 SHB 16</td> </tr> <tr> <td>Ø12 (Full flow)</td> <td>M 101.12-10 SHF 12</td> </tr> <tr> <td>Ø16 (Full flow)</td> <td>M 101.12-10 SHF 16</td> </tr> </table>	Ø12	M 101.12-10 SHB 12	Ø16	M 101.12-10 SHB 16	Ø12 (Full flow)	M 101.12-10 SHF 12	Ø16 (Full flow)	M 101.12-10 SHF 16
	Ø12	M 101.12-10 SHB 12								
	Ø16	M 101.12-10 SHB 16								
Ø12 (Full flow)	M 101.12-10 SHF 12									
Ø16 (Full flow)	M 101.12-10 SHF 16									
<p>Push to connect Steckschlauchanschluss</p> 	<table border="1"> <tr> <td>Ø13</td> <td>M 101.12-10 SPB 13</td> </tr> <tr> <td>Ø16</td> <td>M 101.12-10 SPB 16</td> </tr> <tr> <td>Ø13 (Full flow)</td> <td>M 101.12-10 SPF 13</td> </tr> <tr> <td>Ø16 (Full flow)</td> <td>M 101.12-10 SPF 16</td> </tr> </table>	Ø13	M 101.12-10 SPB 13	Ø16	M 101.12-10 SPB 16	Ø13 (Full flow)	M 101.12-10 SPF 13	Ø16 (Full flow)	M 101.12-10 SPF 16	
Ø13	M 101.12-10 SPB 13									
Ø16	M 101.12-10 SPB 16									
Ø13 (Full flow)	M 101.12-10 SPF 13									
Ø16 (Full flow)	M 101.12-10 SPF 16									
<p>Female thread Innengewinde</p> 	<table border="1"> <tr> <td>BSP 1/2</td> <td>M 101.12-10 SFB 21</td> </tr> <tr> <td>NPT 1/2</td> <td>M 101.12-10 SNB 21</td> </tr> <tr> <td>BSP 1/2 (Full flow)</td> <td>M 101.12-10 SFF 21</td> </tr> <tr> <td>NPT 1/2 (Full flow)</td> <td>M 101.12-10 SNF 21</td> </tr> </table>	BSP 1/2	M 101.12-10 SFB 21	NPT 1/2	M 101.12-10 SNB 21	BSP 1/2 (Full flow)	M 101.12-10 SFF 21	NPT 1/2 (Full flow)	M 101.12-10 SNF 21	
BSP 1/2	M 101.12-10 SFB 21									
NPT 1/2	M 101.12-10 SNB 21									
BSP 1/2 (Full flow)	M 101.12-10 SFF 21									
NPT 1/2 (Full flow)	M 101.12-10 SNF 21									
TYPE K 101.12	Mould side / Abnehmerseite	Item code / Artikelnummer								
<p>5 ↔ 5</p> 	<p>Plate with 10 plugs Platte mit 10 Anschlüsse</p> 	<table border="1"> <tr> <td>BSP 1/2</td> <td>K 101.12-10 PMB 21</td> </tr> <tr> <td>BSP 1/2 (Full flow)</td> <td>K 101.12-10 PMF 21</td> </tr> </table>	BSP 1/2	K 101.12-10 PMB 21	BSP 1/2 (Full flow)	K 101.12-10 PMF 21				
	BSP 1/2	K 101.12-10 PMB 21								
BSP 1/2 (Full flow)	K 101.12-10 PMF 21									

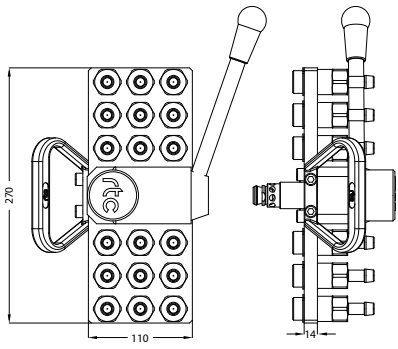
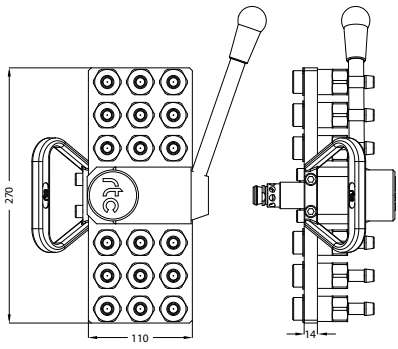







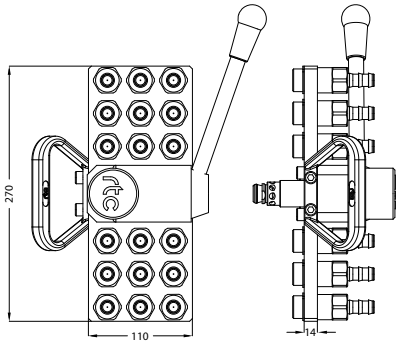







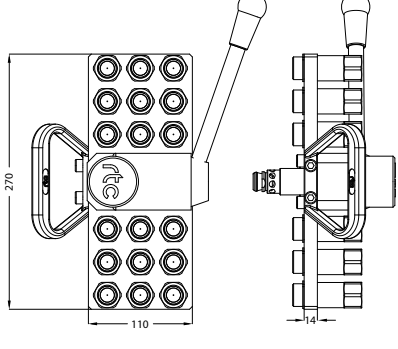







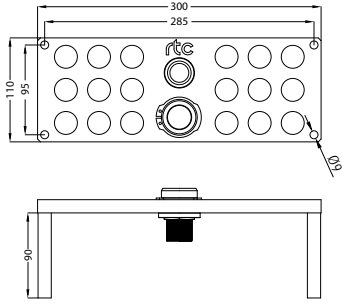
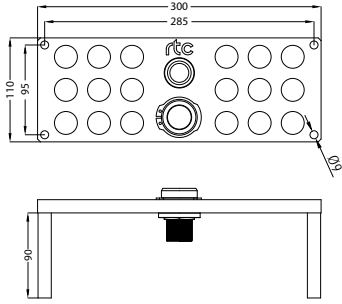

Flow diameter 12 mm / Nennweite 12 mm

TYPE M 101.12 **rtc**

TYPE M 101.12	Mobile side / Versorgerseite		Item code / Artikelnummer
<p>6 ↔ 6</p> 	<p>Standard hose Schlauchanschluss</p>  <p>(Full flow) </p>	<p>Ø12 Ø16 Ø12 Ø16</p> 	<p>M 101.12-12 SHB 12 M 101.12-12 SHB 16 M 101.12-12 SHF 12 M 101.12-12 SHF 16</p>
	<p>Push to connect Steckschlauchanschluss</p>  <p>(Full flow) </p>	<p>Ø13 Ø16 Ø13 Ø16</p> 	<p>M 101.12-12 SPB 13 M 101.12-12 SPB 16 M 101.12-12 SPF 13 M 101.12-12 SPF 16</p>
	<p>Female thread Innengewinde</p>  <p>(Full flow) </p>	<p>BSP 1/2 NPT 1/2 BSP 1/2 NPT 1/2</p> 	<p>M 101.12-12 SFB 21 M 101.12-12 SNB 21 M 101.12-12 SFF 21 M 101.12-12 SNF 21</p>
TYPE K 101.12	Mould side / Abnehmerseite		Item code / Artikelnummer
<p>6 ↔ 6</p> 	<p>Plate for 12 lines / Platte für 12 Anschlüsse</p> 		<p>K 101.12-12</p>

rtc TYPE M 101.12

Flow diameter 12 mm / Nennweite 12 mm

TYPE M 101.12	Mobile side / Versorgerseite	Item code / Artikelnummer												
<p>9 ↔ 9</p> 	<p>Standard hose Schlauchanschluss</p> 	<table border="1"> <tr> <td></td> <td>Ø12</td> <td>M 101.12-18 SHB 12</td> </tr> <tr> <td></td> <td>Ø16</td> <td>M 101.12-18 SHB 16</td> </tr> <tr> <td>(Full flow) </td> <td>Ø12</td> <td>M 101.12-18 SHF 12</td> </tr> <tr> <td></td> <td>Ø16</td> <td>M 101.12-18 SHF 16</td> </tr> </table> 		Ø12	M 101.12-18 SHB 12		Ø16	M 101.12-18 SHB 16	(Full flow) 	Ø12	M 101.12-18 SHF 12		Ø16	M 101.12-18 SHF 16
		Ø12	M 101.12-18 SHB 12											
		Ø16	M 101.12-18 SHB 16											
(Full flow) 	Ø12	M 101.12-18 SHF 12												
	Ø16	M 101.12-18 SHF 16												
<p>Push to connect Steckschlauchanschluss</p> 	<table border="1"> <tr> <td></td> <td>Ø13</td> <td>M 101.12-18 SPB 13</td> </tr> <tr> <td></td> <td>Ø16</td> <td>M 101.12-18 SPB 16</td> </tr> <tr> <td>(Full flow) </td> <td>Ø13</td> <td>M 101.12-18 SPF 13</td> </tr> <tr> <td></td> <td>Ø16</td> <td>M 101.12-18 SPF 16</td> </tr> </table> 		Ø13	M 101.12-18 SPB 13		Ø16	M 101.12-18 SPB 16	(Full flow) 	Ø13	M 101.12-18 SPF 13		Ø16	M 101.12-18 SPF 16	
	Ø13	M 101.12-18 SPB 13												
	Ø16	M 101.12-18 SPB 16												
(Full flow) 	Ø13	M 101.12-18 SPF 13												
	Ø16	M 101.12-18 SPF 16												
<p>Female thread Innengewinde</p> 	<table border="1"> <tr> <td></td> <td>BSP 1/2</td> <td>M 101.12-18 SFB 21</td> </tr> <tr> <td></td> <td>NPT 1/2</td> <td>M 101.12-18 SNB 21</td> </tr> <tr> <td>(Full flow) </td> <td>BSP 1/2</td> <td>M 101.12-18 SFF 21</td> </tr> <tr> <td></td> <td>NPT 1/2</td> <td>M 101.12-18 SNF 21</td> </tr> </table> 		BSP 1/2	M 101.12-18 SFB 21		NPT 1/2	M 101.12-18 SNB 21	(Full flow) 	BSP 1/2	M 101.12-18 SFF 21		NPT 1/2	M 101.12-18 SNF 21	
	BSP 1/2	M 101.12-18 SFB 21												
	NPT 1/2	M 101.12-18 SNB 21												
(Full flow) 	BSP 1/2	M 101.12-18 SFF 21												
	NPT 1/2	M 101.12-18 SNF 21												
TYPE K 101.12	Mould side / Abnehmerseite	Item code / Artikelnummer												
<p>9 ↔ 9</p> 	<p>Plate for 18 lines / Platte für 18 Anschlüsse</p> 	<p>K 101.12-18</p> 												

Flow diameter 12 mm / Nennweite 12 mm

TYPE M 101.12 **rtc**

TYPE M 101.12	Mobile side / Versorgerseite	Item code / Artikelnummer												
<p>10 ← → 10</p>		<p>Standard hose Schlauchanschluss</p> <table border="1"> <tr> <td></td> <td>Ø12</td> <td>M 101.12-20 SHB 12</td> </tr> <tr> <td></td> <td>Ø16</td> <td>M 101.12-20 SHB 16</td> </tr> <tr> <td>(Full flow) </td> <td>Ø12</td> <td>M 101.12-20 SHF 12</td> </tr> <tr> <td></td> <td>Ø16</td> <td>M 101.12-20 SHF 16</td> </tr> </table>		Ø12	M 101.12-20 SHB 12		Ø16	M 101.12-20 SHB 16	(Full flow)	Ø12	M 101.12-20 SHF 12		Ø16	M 101.12-20 SHF 16
		Ø12	M 101.12-20 SHB 12											
		Ø16	M 101.12-20 SHB 16											
(Full flow)	Ø12	M 101.12-20 SHF 12												
	Ø16	M 101.12-20 SHF 16												
	<p>Push to connect Steckschlauchanschluss</p> <table border="1"> <tr> <td></td> <td>Ø13</td> <td>M 101.12-20 SPB 13</td> </tr> <tr> <td></td> <td>Ø16</td> <td>M 101.12-20 SPB 16</td> </tr> <tr> <td>(Full flow) </td> <td>Ø13</td> <td>M 101.12-20 SPF 13</td> </tr> <tr> <td></td> <td>Ø16</td> <td>M 101.12-20 SPF 16</td> </tr> </table>		Ø13	M 101.12-20 SPB 13		Ø16	M 101.12-20 SPB 16	(Full flow)	Ø13	M 101.12-20 SPF 13		Ø16	M 101.12-20 SPF 16	
	Ø13	M 101.12-20 SPB 13												
	Ø16	M 101.12-20 SPB 16												
(Full flow)	Ø13	M 101.12-20 SPF 13												
	Ø16	M 101.12-20 SPF 16												
	<p>Female thread Innengewinde</p> <table border="1"> <tr> <td></td> <td>BSP 1/2</td> <td>M 101.12-20 SFB 21</td> </tr> <tr> <td></td> <td>NPT 1/2</td> <td>M 101.12-20 SNB 21</td> </tr> <tr> <td>(Full flow) </td> <td>BSP 1/2</td> <td>M 101.12-20 SFF 21</td> </tr> <tr> <td></td> <td>NPT 1/2</td> <td>M 101.12-20 SNF 21</td> </tr> </table>		BSP 1/2	M 101.12-20 SFB 21		NPT 1/2	M 101.12-20 SNB 21	(Full flow)	BSP 1/2	M 101.12-20 SFF 21		NPT 1/2	M 101.12-20 SNF 21	
	BSP 1/2	M 101.12-20 SFB 21												
	NPT 1/2	M 101.12-20 SNB 21												
(Full flow)	BSP 1/2	M 101.12-20 SFF 21												
	NPT 1/2	M 101.12-20 SNF 21												
TYPE K 101.12	Mould side / Abnehmerseite	Item code / Artikelnummer												
<p>10 ← → 10</p>		<p>Plate for 20 lines / Platte für 20 Anschlüsse</p> <p>K 101.12-20</p>												

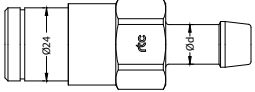





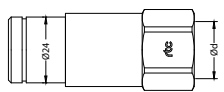


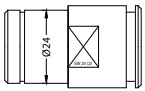

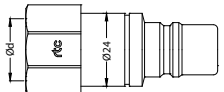


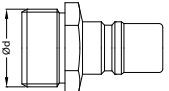


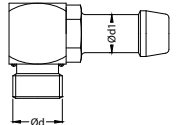
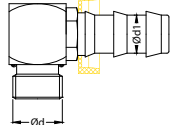
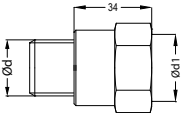
rtc TYPE M 101.12

Flow diameter 12 mm / Nennweite 12 mm

TYPE M 101.12	Mobile side / Versorgerseite	Item code / Artikelnummer						
<p>12 ↔ 12</p>		<table border="1"> <tr> <td data-bbox="766 331 997 425">Standard hose Schlauchanschluss</td> <td data-bbox="997 331 1273 425"> Ø12 Ø16 (Full flow) Ø12 Ø16 </td> <td data-bbox="1273 331 1548 425"> M 101.12-24 SHB 12 M 101.12-24 SHB 16 M 101.12-24 SHF 12 M 101.12-24 SHF 16 </td> </tr> <tr> <td colspan="3" data-bbox="766 425 1548 784" style="text-align: center;"> </td> </tr> </table>	Standard hose Schlauchanschluss	 Ø12 Ø16 (Full flow) Ø12 Ø16	M 101.12-24 SHB 12 M 101.12-24 SHB 16 M 101.12-24 SHF 12 M 101.12-24 SHF 16			
	Standard hose Schlauchanschluss	 Ø12 Ø16 (Full flow) Ø12 Ø16	M 101.12-24 SHB 12 M 101.12-24 SHB 16 M 101.12-24 SHF 12 M 101.12-24 SHF 16					
	<table border="1"> <tr> <td data-bbox="766 784 997 884">Push to connect Steckschlauchanschluss</td> <td data-bbox="997 784 1273 884"> Ø13 Ø16 (Full flow) Ø13 Ø16 </td> <td data-bbox="1273 784 1548 884"> M 101.12-24 SPB 13 M 101.12-24 SPB 16 M 101.12-24 SPF 13 M 101.12-24 SPF 16 </td> </tr> <tr> <td colspan="3" data-bbox="766 884 1548 1232" style="text-align: center;"> </td> </tr> </table>	Push to connect Steckschlauchanschluss	 Ø13 Ø16 (Full flow) Ø13 Ø16	M 101.12-24 SPB 13 M 101.12-24 SPB 16 M 101.12-24 SPF 13 M 101.12-24 SPF 16				
Push to connect Steckschlauchanschluss	 Ø13 Ø16 (Full flow) Ø13 Ø16	M 101.12-24 SPB 13 M 101.12-24 SPB 16 M 101.12-24 SPF 13 M 101.12-24 SPF 16						
	<table border="1"> <tr> <td data-bbox="766 1232 997 1332">Female thread Innengewinde</td> <td data-bbox="997 1232 1273 1332"> BSP 1/2 NPT 1/2 (Full flow) BSP 1/2 NPT 1/2 </td> <td data-bbox="1273 1232 1548 1332"> M 101.12-24 SFB 21 M 101.12-24 SNB 21 M 101.12-24 SFF 21 M 101.12-24 SNF 21 </td> </tr> <tr> <td colspan="3" data-bbox="766 1332 1548 1668" style="text-align: center;"> </td> </tr> </table>	Female thread Innengewinde	 BSP 1/2 NPT 1/2 (Full flow) BSP 1/2 NPT 1/2	M 101.12-24 SFB 21 M 101.12-24 SNB 21 M 101.12-24 SFF 21 M 101.12-24 SNF 21				
Female thread Innengewinde	 BSP 1/2 NPT 1/2 (Full flow) BSP 1/2 NPT 1/2	M 101.12-24 SFB 21 M 101.12-24 SNB 21 M 101.12-24 SFF 21 M 101.12-24 SNF 21						
<p>12 ↔ 12</p>	<p>Plate for 24 lines / Platte für 24 Anschlüsse</p>	<p>Item code / Artikelnummer</p> <p>K 101.12-24</p>						

Flow diameter 12 mm / Nennweite 12 mm

TYPE M 101.12 

TYPE M 101.12	Sockets / Kupplungen	Connection / Anschluss	Item code / Artikelnummer	
	Standard hose Schlauchanschluss	 Ø12 Ø16 (Full flow)  Ø12 Ø16	M 101.12 SHB 12 M 101.12 SHB 16 M 101.12 SHF 12 M 101.12 SHF 16	
		Push to connect Steckschlauchanschluss	 Ø13 Ø16 (Full flow)  Ø13 Ø16	M 101.12 SPB 13 M 101.12 SPB 16 M 101.12 SPF 13 M 101.12 SPF 16
		Female thread Innengewinde	 BSP 1/2 NPT 1/2 (Full flow)  BSP 1/2 NPT 1/2	M 101.12 SFB 21 M 101.12 SNB 21 M 101.12 SFF 21 M 101.12 SNF 21
		For collector Für Sammler		M 101.12 SAB 00
TYPE M 101.12	Plugs / Nippel	Connection / Anschluss	Item code / Artikelnummer	
	Female thread Innengewinde	 BSP 1/2 NPT 1/2 (Full flow)  BSP 1/2 NPT 1/2	M 101.12 PFB 21 M 101.12 PNB 21 M 101.12 PFF 21 M 101.12 PNF 21	
		Male thread Aussengewinde	 BSP 3/4 (Full flow)  BSP 3/4	M 101.12 PMB 26 M 101.12 PMF 26
TYPE M 101.12	Adapters elbow / Adapter Winkel	Connection / Anschluss	Item code / Artikelnummer	
	Standard hose Schlauchanschluss	BSP 1/2 → Ø12 Ø16 NPT 1/2 → Ø12 Ø16	EBH 21/12-90 EBH 21/16-90 EBH 21T/12-90 EBH 21T/16-90	
		Push to connect Steckschlauchanschluss	BSP 1/2 → Ø13 Ø16 NPT 1/2 → Ø13 Ø16	EBP 21/13-90 EBP 21/16-90 EBP 21T/13-90 EBP 21T/16-90
		TE 21-34 BSP 1/2" Male (Ød) - BSP 1/2" Female (Ød1) Extension BSP 1/2" Aussengewinde (Ød) - BSP 1/2" Innengewinde (Ød1) Verlängerung TE 21-21N-34 BSP 1/2" Male (Ød) - NPT 1/2" Female (Ød1) Extension BSP 1/2" Aussengewinde (Ød) - NPT 1/2" Innengewinde (Ød1) Verlängerung TE 21T-21N-34 NPT 1/2" Male (Ød) - NPT 1/2" Female (Ød1) Extension NPT 1/2" Aussengewinde (Ød) - NPT 1/2" Innengewinde (Ød1) Verlängerung		

rtc TYPE M 101.16

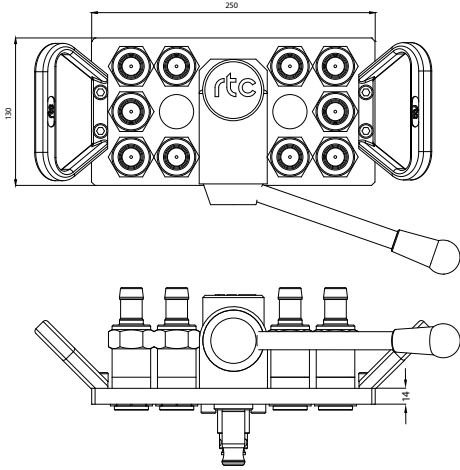
Flow diameter 16 mm / Nennweite 16 mm

TYPE M 101.16

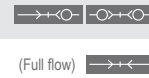
Mobile side / Versorgerseite

Item code / Artikelnummer

5 ↔ 5



Standard hose
Schlauchanschluss

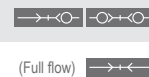


Ø16
Ø19
Ø16
Ø19

M 101.16-10 SHB 16
M 101.16-10 SHB 19
M 101.16-10 SHF 16
M 101.16-10 SHF 19

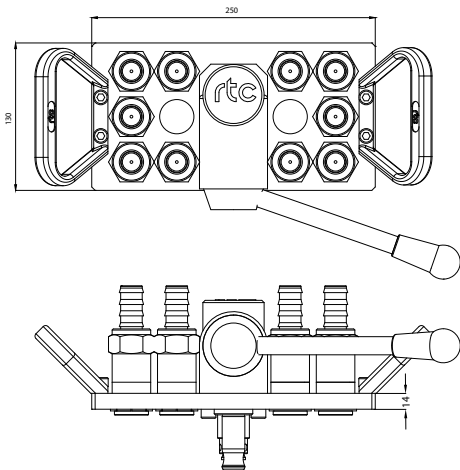


Push to connect
Steckschlauchanschluss



Ø16
Ø19
Ø16
Ø19

M 101.16-10 SPB 16
M 101.16-10 SPB 19
M 101.16-10 SPF 16
M 101.16-10 SPF 19

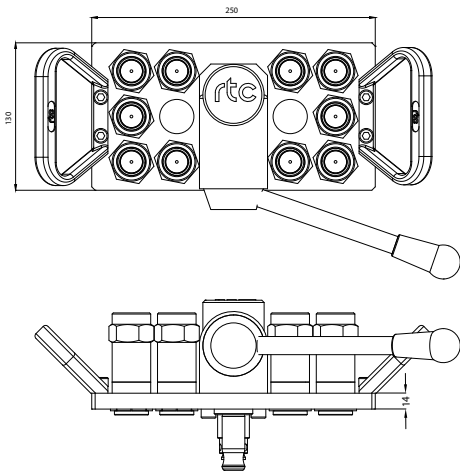


Female thread
Innengewinde



BSP 3/4
NPT 3/4
BSP 3/4
NPT 3/4

M 101.16-10 SFB 26
M 101.16-10 SNB 26
M 101.16-10 SFF 26
M 101.16-10 SNF 26



Flow diameter 16 mm / Nennweite 16 mm

TYPE K 101.16 **rtc**

TYPE K 101.16	Mobile side / Versorgerseite		Item code / Artikelnummer
<p>5 ↔ 5</p>		<p>Plate with 10 plugs Platte mit 10 Anschlüsse</p> <p>BSP 3/4 NPT 3/4</p>	<p>K 101.16-10 PMB 26 K 101.16-10 PMB 26N</p>
		<p>Plate with 10 plugs Platte mit 10 Anschlüsse</p> <p>(Full flow) BSP 3/4 NPT 3/4</p>	<p>K 101.16-10 PMF 26 K 101.16-10 PMF 26N</p>

rtc TYPE M 101.16

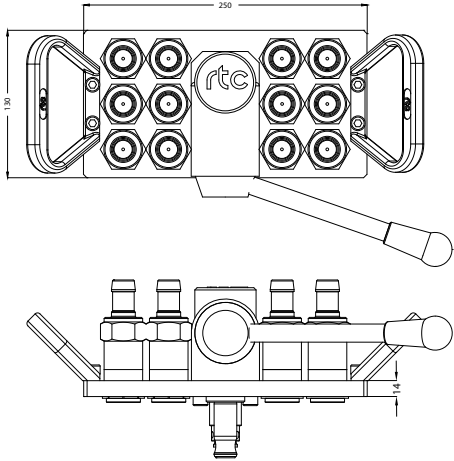
Flow diameter 16 mm / Nennweite 16 mm

TYPE M 101.16

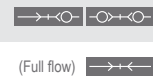
Mobile side / Versorgerseite

Item code / Artikelnummer

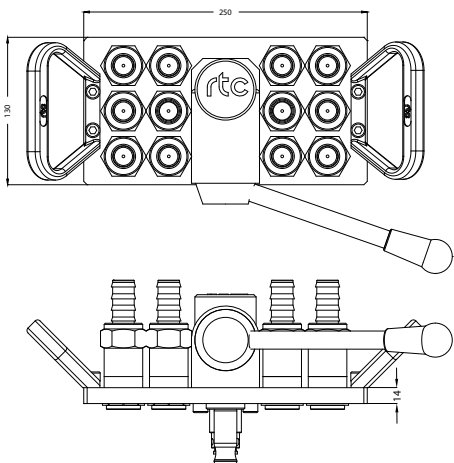
6 ↔ 6



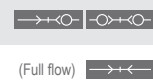
Standard hose
Schlauchanschluss



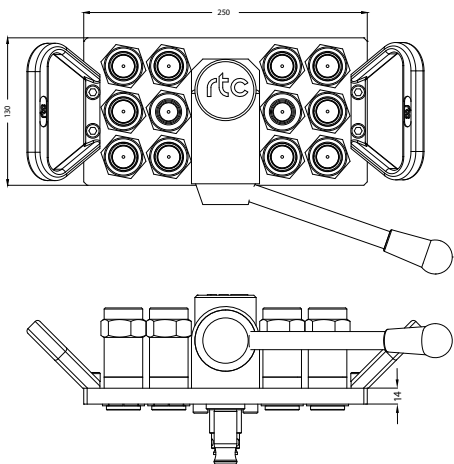
Ø16	M 101.16-12 SHB 16
Ø19	M 101.16-12 SHB 19
Ø16	M 101.16-12 SHF 16
Ø19	M 101.16-12 SHF 19



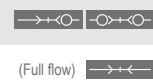
Push to connect
Steckschlauchanschluss



Ø16	M 101.16-12 SPB 16
Ø19	M 101.16-12 SPB 19
Ø16	M 101.16-12 SPF 16
Ø19	M 101.16-12 SPF 19

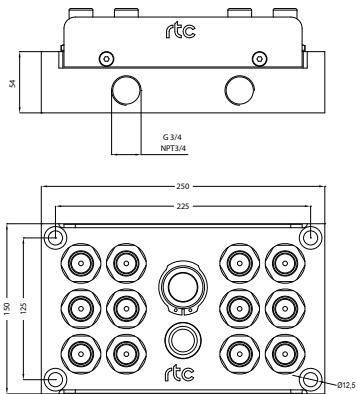


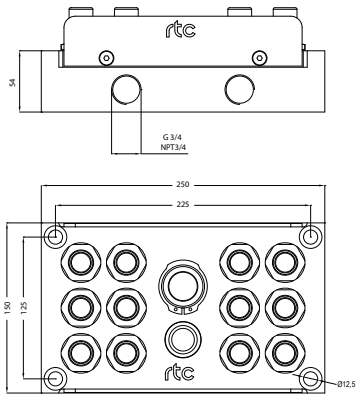


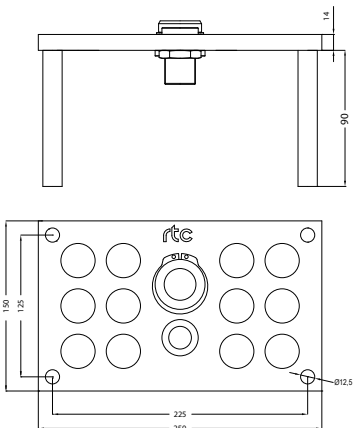



Female thread
Innengewinde



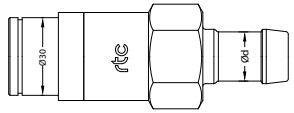


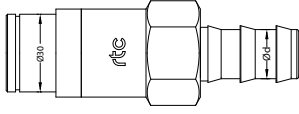


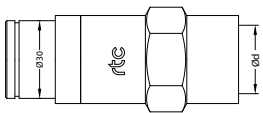
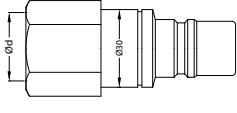


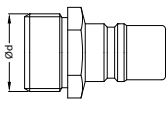


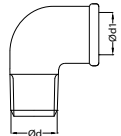
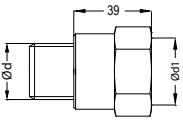
BSP 3/4	M 101.16-12 SFB 26
NPT 3/4	M 101.16-12 SNB 26
BSP 3/4	M 101.16-12 SFF 26
NPT 3/4	M 101.16-12 SNF 26



TYPE K 101.16	Mobile side / Versorgerseite		Item code / Artikelnummer
<p>6 ↔ 6</p>		<p>Plate with 12 plugs Platte mit 12 Anschlüsse</p>  <p>BSP 3/4 NPT 3/4</p> 	<p>K 101.16-12 PMB 26 K 101.16-12 PMB 26N</p>
		<p>Plate with 12 plugs Platte mit 12 Anschlüsse</p> <p>(Full flow)  BSP 3/4 NPT 3/4</p> 	<p>K 101.16-12 PMF 26 K 101.16-12 PMF 26N</p>
		<p>Plate for 12 lines / Platte für 12 Anschlüsse</p> 	<p>K 101.16-12</p>

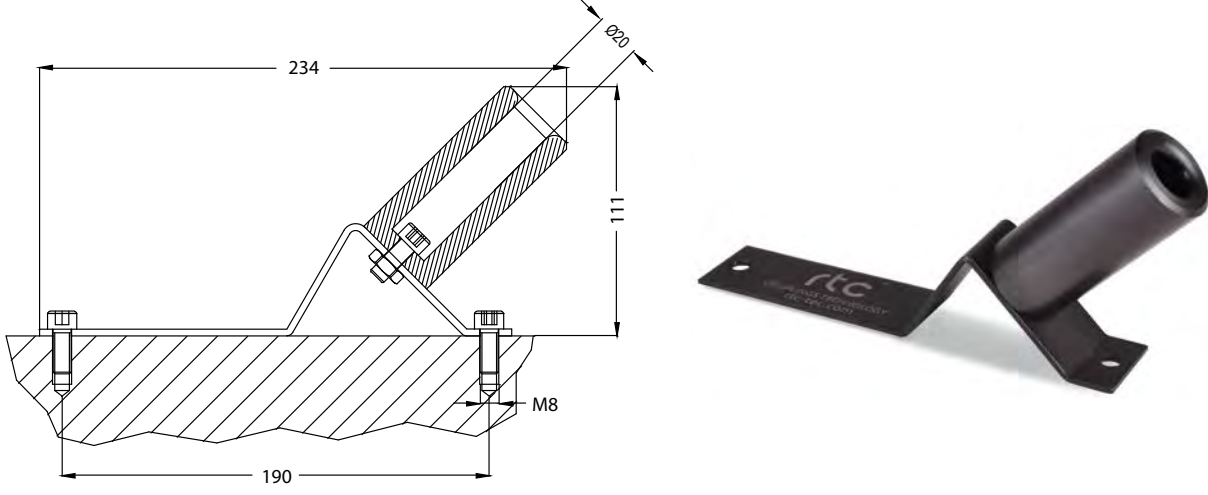
rtc TYPE M 101.16

Flow diameter 16 mm / Nennweite 16 mm

TYPE M 101.16	Sockets / Kupplungen	Connection / Anschluss	Item code / Artikelnummer		
	Standard hose Schlauchanschluss	 Ø16 Ø19 (Full flow)  Ø16 Ø19	M 101.16 SHB 16 M 101.16 SHB 19 M 101.16 SHF 16 M 101.16 SHF 19		
			Push to connect Steckschlauchanschluss	 Ø16 Ø19 (Full flow)  Ø16 Ø19	M 101.16 SPB 16 M 101.16 SPB 19 M 101.16 SPF 16 M 101.16 SPF 19
					Female thread Innengewinde
TYPE M 101.16	Plugs / Nippel	Connection / Anschluss	Item code / Artikelnummer		
	Female thread Innengewinde	 BSP 3/4 NPT 3/4 (Full flow)  BSP 3/4 NPT 3/4	M 101.16 PFB 26 M 101.16 PNB 26 M 101.16 PFF 26 M 101.16 PNF 26		
			Male thread Aussengewinde	 BSP 1 (Full flow)  BSP 1	101.16 PMB 33 101.16 PMF 33
TYPE M 101.16	Adapters elbow / Adapter Winkel			Connection / Anschluss	Item code / Artikelnummer
	Elbow Winkelanschluss	BSP 3/4 (Ød) - BSP 3/4 (Ød1) NPT 3/4 (Ød) - NPT 3/4 (Ød1)	RFN 26/26-90 NTN 26/26-90		
				TE 26-39 BSP 3/4" Male (Ød) - BSP 3/4" Female (Ød1) Extention BSP 3/4" Aussengewinde (Ød) - BSP 3/4" Innengewinde (Ød1) Verlängerung TE 26-26N-39 BSP 3/4" Male (Ød) - NPT 3/4" Female (Ød1) Extention BSP 3/4" Aussengewinde (Ød) - NPT 3/4" Innengewinde (Ød1) Verlängerung TE 26T-26N-39 NPT 3/4" Male (Ød) - NPT 3/4" Female (Ød1) Extention NPT 3/4" Aussengewinde (Ød) - NPT 3/4" Innengewinde (Ød1) Verlängerung	

Flow diameter 16 mm / Nennweite 16 mm

TYPE M 101.16 **rtc**

TYPE M 101.16	Parking plate / Parkplatte		Item code / Artikelnummer
		For mobile side Für Versorgerseiten	10 / 12
			

Dripless Hydraulic Multi Coupling For
Residual Pressure Connection

rtc[®]
COUPLING TECHNOLOGY



M103

rtc TYPE

rtc Multicoupling systems
rtc Multikupplungssysteme type M103



rtc Multicoupling systems / rtc Multikupplungssysteme type M103



Type	Max. Working Pressure Max. Betriebsdruck	Max. Connection Pressure Max. Betriebsdruck	Flow size Nennweite	Connections Anschlüsse	Circuits Kreislauf
rtc M103.10	200 bar	20 bar	10	2 - 4 - 6 - 8	1 ↔ 1 2 ↔ 2 3 ↔ 3 4 ↔ 4

Temperature Range - Temperaturbereich
-10°C +150°C (+14° +302°F) FPM (V)



Specification

Connecting and disconnecting the circuits in one operation for quick mold change
Size Ø10
Compact design
Non spill
Code syst

Eigenschaften

Verbinden und Trennen von mehreren Kreisläufen in einem Arbeitsgang für das schnelle Rüsten
Nennweite Ø10
Robuster Verriegelungsmechanismus
Flat Face
Kodierbar

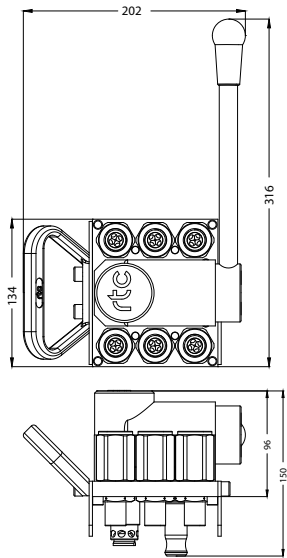

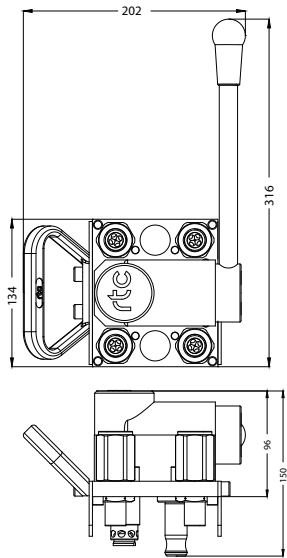

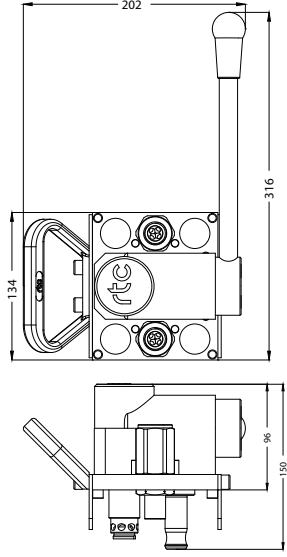

Applications

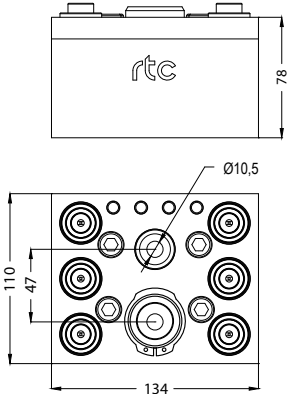

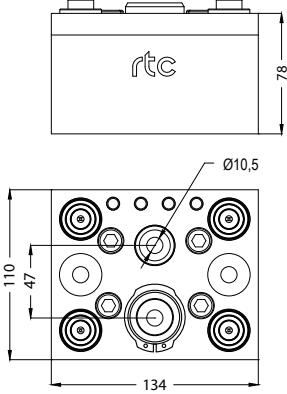

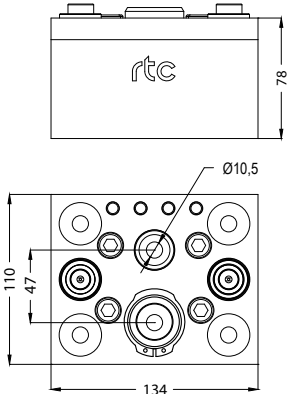

Aluminium die casting
Test units
Plastics industry / cooling heating
Core pullers

Anwendungen

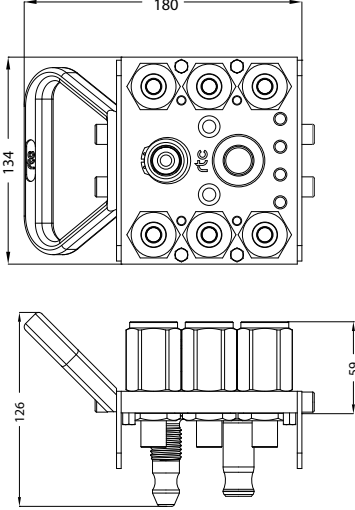

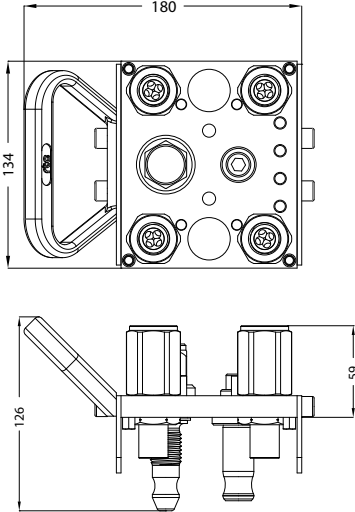

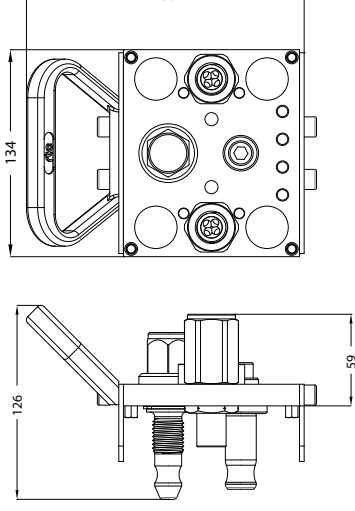

Aluminiumdruckguß
Prüfstände
Kunststoffindustrie / Mehrkreistemperierung / Kühlen Temperieren
Kernzüge

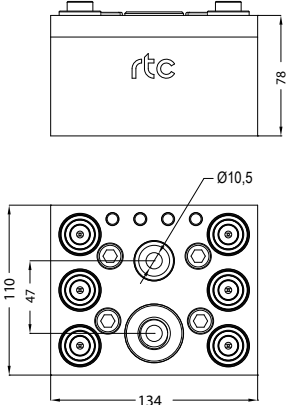

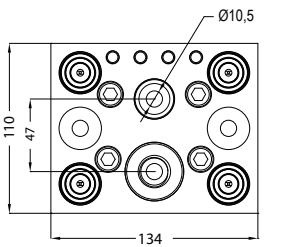

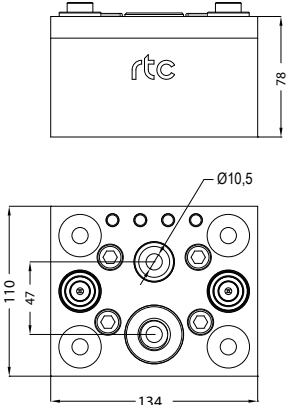

rtc TYPE M 103

TYPE M 103.10	Mobile side with locking mechanism system / Versorgerseite mit Verriegelungsmechanismus		Item code / Artikelnummer
<p>3 ↔ 3</p>		<p>Female thread Innengewinde</p>	<p>BSP 3/8 BSP 1/2 UNF 9/16-18 UNF 3/4-16 NPT 3/8 NPT 1/2</p> <p>M 103.10-06 PFB 17 M 103.10-06 PFB 21 M 103.10-06 PUB 1418 M 103.10-06 PUB 1916 M 103.10-06 PNB 17 M 103.10-06 PNB 21</p> 
<p>2 ↔ 2</p>		<p>Female thread Innengewinde</p>	<p>BSP 3/8 BSP 1/2 UNF 9/16-18 UNF 3/4-16 NPT 3/8 NPT 1/2</p> <p>M 103.10-04 PFB 17 M 103.10-04 PFB 21 M 103.10-04 PUB 1418 M 103.10-04 PUB 1916 M 103.10-04 PNB 17 M 103.10-04 PNB 21</p> 
<p>1 ↔ 1</p>		<p>Female thread Innengewinde</p>	<p>BSP 3/8 BSP 1/2 UNF 9/16-18 UNF 3/4-16 NPT 3/8 NPT 1/2</p> <p>M 103.10-02 PFB 17 M 103.10-02 PFB 21 M 103.10-02 PUB 1418 M 103.10-02 PUB 1916 M 103.10-02 PNB 17 M 103.10-02 PNB 21</p> 

TYPE K 103.10	Mould side / Abnehmerseite	Item code / Artikelnummer	
<p>3 ↔ 3</p> 	<p>Female thread Innengewinde</p> <p>BSP 3/8 BSP 1/2 UNF 9/16-18 UNF 3/4-16 NPT 3/8 NPT 1/2</p> <p>K 103.10-06 SAB 17 K 103.10-06 SAB 21 K 103.10-06 SAB 1418 U K 103.10-06 SAB 1916 U K 103.10-06 SAB 17 N K 103.10-06 SAB 21 N</p> 		
<p>2 ↔ 2</p> 	<p>Female thread Innengewinde</p> <p>BSP 3/8 BSP 1/2 UNF 9/16-18 UNF 3/4-16 NPT 3/8 NPT 1/2</p> <p>K 103.10-04 SAB 17 K 103.10-04 SAB 21 K 103.10-04 SAB 1418 U K 103.10-04 SAB 1916 U K 103.10-04 SAB 17 N K 103.10-04 SAB 21 N</p> 		
<p>1 ↔ 1</p> 	<p>Female thread Innengewinde</p> <p>BSP 3/8 BSP 1/2 UNF 9/16-18 UNF 3/4-16 NPT 3/8 NPT 1/2</p> <p>K 103.10-02 SAB 17 K 103.10-02 SAB 21 K 103.10-02 SAB 1418 U K 103.10-02 SAB 1916 U K 103.10-02 SAB 17 N K 103.10-02 SAB 21 N</p> 		

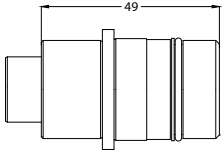

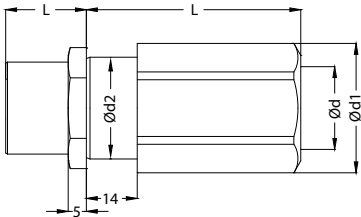

rtc TYPE M 103

TYPE M 103.10	Mobile side with locking screw / Versorgerseite mit Spindelverschraubung	Item code / Artikelnummer
<p>3 ↔ 3</p>		<p>Female thread Innengewinde</p> <ul style="list-style-type: none"> BSP 3/8 BSP 1/2 UNF 9/16-18 UNF 3/4-16 NPT 3/8 NPT 1/2 <ul style="list-style-type: none"> M 103.10-06 PFB 17 LP M 103.10-06 PFB 21 LP M 103.10-06 PUB 1418 LP M 103.10-06 PUB 1916 LP M 103.10-06 PNB 17 LP M 103.10-06 PNB 21 LP 
<p>2 ↔ 2</p>		<p>Female thread Innengewinde</p> <ul style="list-style-type: none"> BSP 3/8 BSP 1/2 UNF 9/16-18 UNF 3/4-16 NPT 3/8 NPT 1/2 <ul style="list-style-type: none"> M 103.10-04 PFB 17 LP M 103.10-04 PFB 21 LP M 103.10-04 PUB 1418 LP M 103.10-04 PUB 1916 LP M 103.10-04 PNB 17 LP M 103.10-04 PNB 21 LP 
<p>1 ↔ 1</p>		<p>Female thread Innengewinde</p> <ul style="list-style-type: none"> BSP 3/8 BSP 1/2 UNF 9/16-18 UNF 3/4-16 NPT 3/8 NPT 1/2 <ul style="list-style-type: none"> M 103.10-02 PFB 17 LP M 103.10-02 PFB 21 LP M 103.10-02 PUB 1418 LP M 103.10-02 PUB 1916 LP M 103.10-02 PNB 17 LP M 103.10-02 PNB 21 LP 

TYPE K 103.10	Mould side with locking nut / Abnehmerseite mit Schraubbuchse		Item code / Artikelnummer
<p>3 ↔ 3</p> 		<p>Female thread Innengewinde</p>	<p>BSP 3/8 BSP 1/2 UNF 9/16-18 UNF 3/4-16 NPT 3/8 NPT 1/2</p> <p>K 103.10-06 SAB 17 LN K 103.10-06 SAB 21 LN K 103.10-06 SAB 1418 U LN K 103.10-06 SAB 1916 U LN K 103.10-06 SAB 17 N LN K 103.10-06 SAB 21 N LN</p> 
<p>2 ↔ 2</p> 		<p>Female thread Innengewinde</p>	<p>BSP 3/8 BSP 1/2 UNF 9/16-18 UNF 3/4-16 NPT 3/8 NPT 1/2</p> <p>K 103.10-04 SAB 17 LN K 103.10-04 SAB 21 LN K 103.10-04 SAB 1418 U LN K 103.10-04 SAB 1916 U LN K 103.10-04 SAB 17 N LN K 103.10-04 SAB 21 N LN</p> 
<p>1 ↔ 1</p> 		<p>Female thread Innengewinde</p>	<p>BSP 3/8 BSP 1/2 UNF 9/16-18 UNF 3/4-16 NPT 3/8 NPT 1/2</p> <p>K 103.10-02 SAB 17 LN K 103.10-02 SAB 21 LN K 103.10-02 SAB 1418 U LN K 103.10-02 SAB 1916 U LN K 103.10-02 SAB 17 N LN K 103.10-02 SAB 21 N LN</p> 

rtc TYPE M 103

TYPE M 103	Parking plate / Parkplatte	Item code / Artikelnummer
	<div data-bbox="842 338 1023 398" style="float: left; margin-right: 20px;"> For mobile side Für Versorgerseiten </div> <div data-bbox="1034 338 1157 398" style="float: left;"> For M 103.10 Für M 103.10 </div> <div data-bbox="1342 338 1492 398" style="float: right; margin-left: 20px;"> M 103.08-06 PP </div> <div data-bbox="459 555 1332 1209" style="text-align: center; margin-top: 20px;"> </div>	
<p>TYPE M 103</p>	<p>Parking plate / Parkplatte</p> <div data-bbox="319 1500 1468 2094" style="text-align: center; margin-top: 20px;"> </div>	

TYPE M 103.10	Sockets / Kupplungen			Item code / Artikelnummer
		Assembling socket Kupplung für den Einbau	Ø10 mm	103.10 SAB 00 MP
				
TYPE M 103.10	Plugs / Nippel			
		Female thread Innengewinde	BSP 3/8 BSP 1/2 UNF 9/16-18 UNF 3/4-16 NPT 3/8 NPT 1/2	103.10 PFB 17 MP 103.10 PFB 21 MP 103.10 PUB 1418 MP 103.10 PUB 1916 MP 103.10 PNB 17 MP 103.10 PNB 21 MP
				



rtc[®]

COUPLING TECHNOLOGY



M104

rtc TYPE

rtc Multicoupling systems
rtc Multikupplungssysteme type M104



rtc Multicoupling systems / rtc Multikupplungssysteme type M104



Type	Max. Working Pressure Max. Betriebsdruck	Flow size Nennweite	Connections Anschlüsse	Circuits Kreislauf
rtc M104.08	200 bar	08	2 - 4 - 6 - 8	
rtc M104.10	200 bar	10		

Temperature Range - Temperaturbereich

-10°C +100°C (+14°F +212°F) - Nitrile (N)
-10°C +150°C (+14° +302°F) FPM (V)



Specification

Connecting and disconnecting the circuits in one operation for quick mold change
2 different sizes (Ø8, Ø10)
Compact design
Non spill
Code syst

Eigenschaften

Verbinden und Trennen von mehreren Kreisläufen in einem Arbeitsgang für das schnelle Rüsten
Erhältlich in 2 Nennweiten (Ø8, Ø10)
Robuster Verriegelungsmechanismus
Flat Face
Kodierbar

Applications

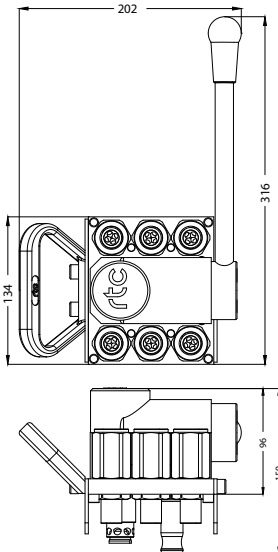
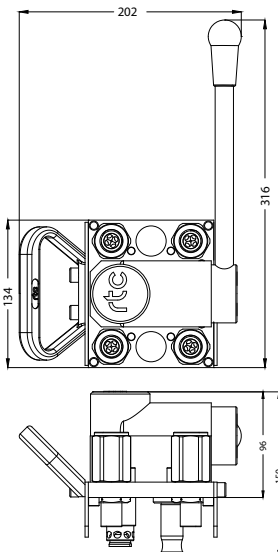
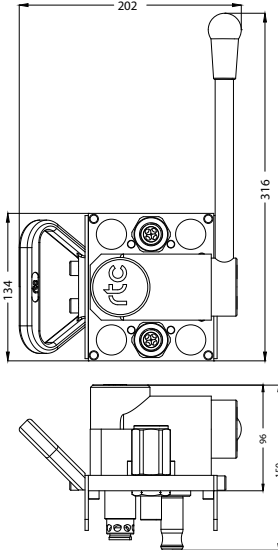
Aluminium die casting
Test units
Plastics industry / cooling heating
Core pullers

Anwendungen

Aluminiumdruckguß
Prüfstände
Kunststoffindustrie / Mehrkreistemperierung / Kühlen Temperieren
Kernzüge

rtc TYPE M 104.08

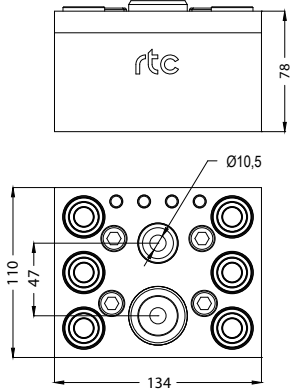
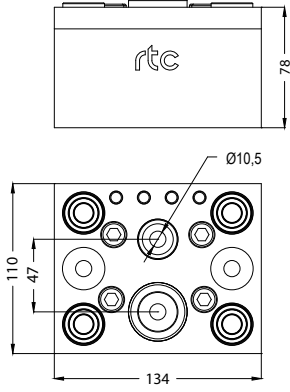
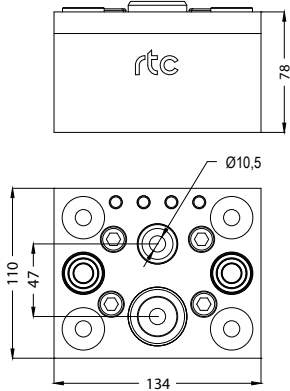
Flow diameter 8 mm / Nennweite 8 mm

TYPE M 104.08	Mobile side with locking mechanism system / Versorgerseite mit Verriegelungsmechanismus	Item code / Artikelnummer		
<p>3 ↔ 3</p>		<p>Female thread Innengewinde</p>	<p>BSP 3/8 BSP 1/2 UNF 9/16-18 UNF 3/4-16 NPT 3/8 NPT 1/2</p>	<p>M 104.08-06 PFB 17 M 104.08-06 PFB 21 M 104.08-06 PUB 1418 M 104.08-06 PUB 1916 M 104.08-06 PNB 17 M 104.08-06 PNB 21</p>
<p>2 ↔ 2</p>		<p>Female thread Innengewinde</p>	<p>BSP 3/8 BSP 1/2 UNF 9/16-18 UNF 3/4-16 NPT 3/8 NPT 1/2</p>	<p>M 104.08-04 PFB 17 M 104.08-04 PFB 21 M 104.08-04 PUB 1418 M 104.08-04 PUB 1916 M 104.08-04 PNB 17 M 104.08-04 PNB 21</p>
<p>1 ↔ 1</p>		<p>Female thread Innengewinde</p>	<p>BSP 3/8 BSP 1/2 UNF 9/16-18 UNF 3/4-16 NPT 3/8 NPT 1/2</p>	<p>M 104.08-02 PFB 17 M 104.08-02 PFB 21 M 104.08-02 PUB 1418 M 104.08-02 PUB 1916 M 104.08-02 PNB 17 M 104.08-02 PNB 21</p>



Flow diameter 8 mm / Nennweite 8 mm

TYPE M 104.08 **rtc**

TYPE K 104.08	Mould side / Abnehmerseite	Item code / Artikelnummer		
<p>3 ↔ 3</p> 		<p>Female thread Innengewinde</p>	<p>BSP 3/8 BSP 1/2 UNF 9/16-18 UNF 3/4-16 NPT 3/8 NPT 1/2</p>	<p>K 104.08-06 SAB 17 K 104.08-06 SAB 21 K 104.08-06 SAB 1418 U K 104.08-06 SAB 1916 U K 104.08-06 SAB 17 N K 104.08-06 SAB 21 N</p>
<p>2 ↔ 2</p> 		<p>Female thread Innengewinde</p>	<p>BSP 3/8 BSP 1/2 UNF 9/16-18 UNF 3/4-16 NPT 3/8 NPT 1/2</p>	<p>K 104.08-04 SAB 17 K 104.08-04 SAB 21 K 104.08-04 SAB 1418 U K 104.08-04 SAB 1916 U K 104.08-04 SAB 17 N K 104.08-04 SAB 21 N</p>
<p>1 ↔ 1</p> 		<p>Female thread Innengewinde</p>	<p>BSP 3/8 BSP 1/2 UNF 9/16-18 UNF 3/4-16 NPT 3/8 NPT 1/2</p>	<p>K 104.08-02 SAB 17 K 104.08-02 SAB 21 K 104.08-02 SAB 1418 U K 104.08-02 SAB 1916 U K 104.08-02 SAB 17 N K 104.08-02 SAB 21 N</p>

rtc TYPE M 104.08

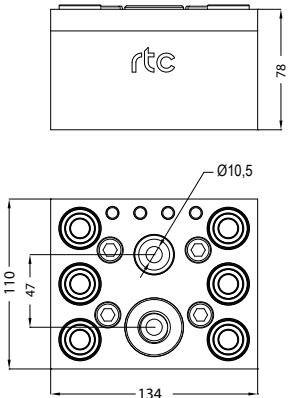
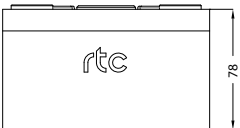

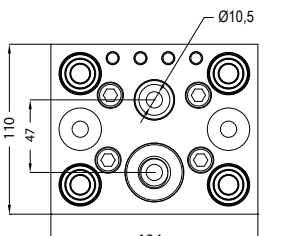
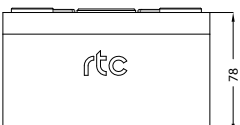

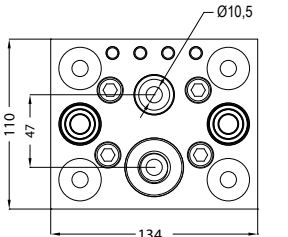
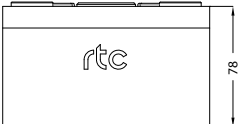

Flow diameter 8 mm / Nennweite 8 mm

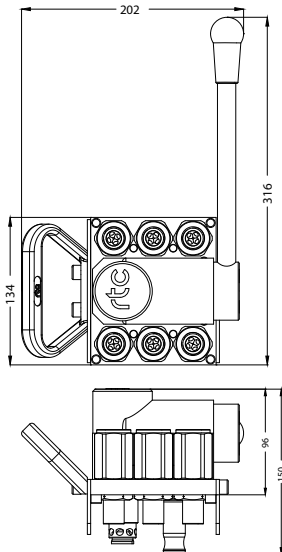
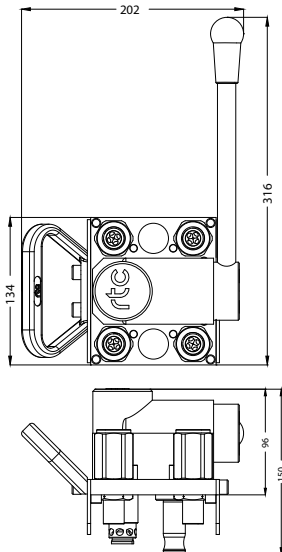
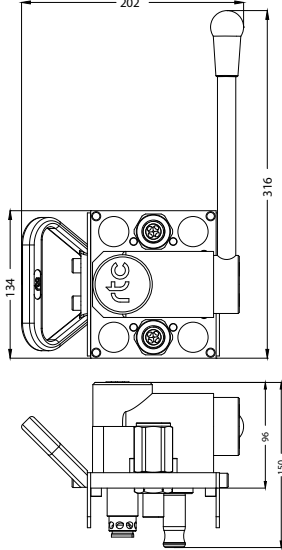
TYPE M 104.08	Mobile side with locking screw / Versorgerseite mit Spindelverschraubung		Item code / Artikelnummer
<p>3 ↔ 3</p>		<p>Female thread Innengewinde</p> <p>BSP 3/8 BSP 1/2 UNF 9/16-18 UNF 3/4-16 NPT 3/8 NPT 1/2</p>	<p>M 104.08-06 PFB 17 LP M 104.08-06 PFB 21 LP M 104.08-06 PUB 1418 LP M 104.08-06 PUB 1916 LP M 104.08-06 PNB 17 LP M 104.08-06 PNB 21 LP</p>
<p>2 ↔ 2</p>		<p>Female thread Innengewinde</p> <p>BSP 3/8 BSP 1/2 UNF 9/16-18 UNF 3/4-16 NPT 3/8 NPT 1/2</p>	<p>M 104.08-04 PFB 17 LP M 104.08-04 PFB 21 LP M 104.08-04 PUB 1418 LP M 104.08-04 PUB 1916 LP M 104.08-04 PNB 17 LP M 104.08-04 PNB 21 LP</p>
<p>1 ↔ 1</p>		<p>Female thread Innengewinde</p> <p>BSP 3/8 BSP 1/2 UNF 9/16-18 UNF 3/4-16 NPT 3/8 NPT 1/2</p>	<p>M 104.08-02 PFB 17 LP M 104.08-02 PFB 21 LP M 104.08-02 PUB 1418 LP M 104.08-02 PUB 1916 LP M 104.08-02 PNB 17 LP M 104.08-02 PNB 21 LP</p>



Flow diameter 8 mm / Nennweite 8 mm

TYPE M 104.08 **rtc**

TYPE K 104.08	Mould side with locking nut / Abnehmerseite mit Schraubbuchse		Item code / Artikelnummer
<p>3 ↔ 3</p> 		<p>Female thread Innengewinde</p>	<p>BSP 3/8 BSP 1/2 UNF 9/16-18 UNF 3/4-16 NPT 3/8 NPT 1/2</p> <p>K 104.08-06 SAB 17 LN K 104.08-06 SAB 21 LN K 104.08-06 SAB 1418 U LN K 104.08-06 SAB 1916 U LN K 104.08-06 SAB 17 N LN K 104.08-06 SAB 21 N LN</p> 
<p>2 ↔ 2</p> 		<p>Female thread Innengewinde</p>	<p>BSP 3/8 BSP 1/2 UNF 9/16-18 UNF 3/4-16 NPT 3/8 NPT 1/2</p> <p>K 104.08-04 SAB 17 LN K 104.08-04 SAB 21 LN K 104.08-04 SAB 1418 U LN K 104.08-04 SAB 1916 U LN K 104.08-04 SAB 17 N LN K 104.08-04 SAB 21 N LN</p> 
<p>1 ↔ 1</p> 		<p>Female thread Innengewinde</p>	<p>BSP 3/8 BSP 1/2 UNF 9/16-18 UNF 3/4-16 NPT 3/8 NPT 1/2</p> <p>K 104.08-02 SAB 17 LN K 104.08-02 SAB 21 LN K 104.08-02 SAB 1418 U LN K 104.08-02 SAB 1916 U LN K 104.08-02 SAB 17 N LN K 104.08-02 SAB 21 N LN</p> 

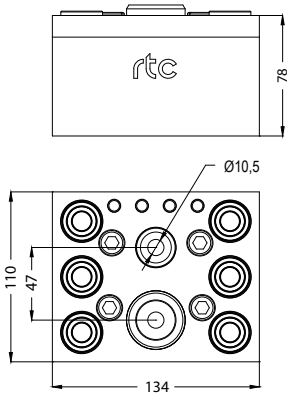
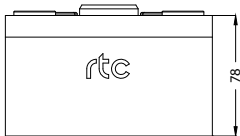
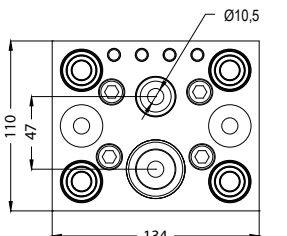
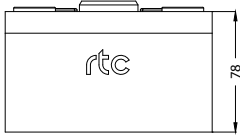
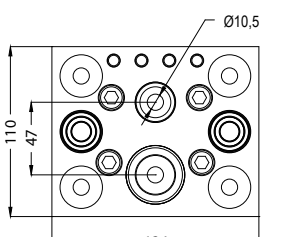
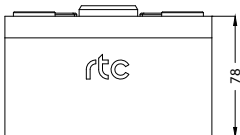
TYPE M 104.10	Mobile side with locking mechanism system / Versorgerseite mit Verriegelungsmechanismus	Item code / Artikelnummer		
<p>3 ↔ 3</p>		<p>Female thread Innengewinde</p>	<p>BSP 3/8 BSP 1/2 UNF 9/16-18 UNF 3/4-16 NPT 3/8 NPT 1/2</p>	<p>M 104.10-06 PFB 17 M 104.10-06 PFB 21 M 104.10-06 PUB 1418 M 104.10-06 PUB 1916 M 104.10-06 PNB 17 M 104.10-06 PNB 21</p>
<p>2 ↔ 2</p>		<p>Female thread Innengewinde</p>	<p>BSP 3/8 BSP 1/2 UNF 9/16-18 UNF 3/4-16 NPT 3/8 NPT 1/2</p>	<p>M 104.10-04 PFB 17 M 104.10-04 PFB 21 M 104.10-04 PUB 1418 M 104.10-04 PUB 1916 M 104.10-04 PNB 17 M 104.10-04 PNB 21</p>
<p>1 ↔ 1</p>		<p>Female thread Innengewinde</p>	<p>BSP 3/8 BSP 1/2 UNF 9/16-18 UNF 3/4-16 NPT 3/8 NPT 1/2</p>	<p>M 104.10-02 PFB 17 M 104.10-02 PFB 21 M 104.10-02 PUB 1418 M 104.10-02 PUB 1916 M 104.10-02 PNB 17 M 104.10-02 PNB 21</p>



High - Flow

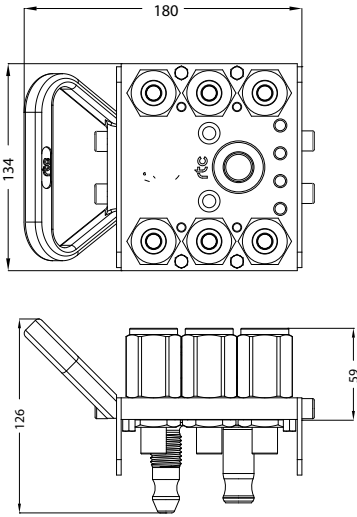
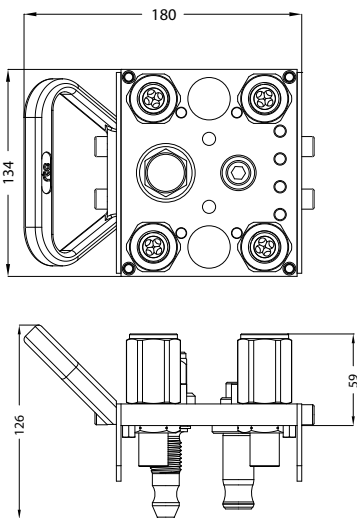
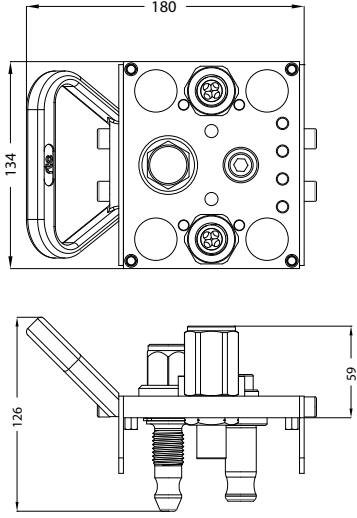
Flow diameter 10 mm / Nennweite 10 mm

TYPE M 104.10 **rtc**

TYPE K 104.10	Mould side / Abnehmerseite	Item code / Artikelnummer		
<p>3 ↔ 3</p> 		<p>Female thread Innengewinde</p>	<p>BSP 3/8 BSP 1/2 UNF 9/16-18 UNF 3/4-16 NPT 3/8 NPT 1/2</p>	<p>K 104.10-06 SAB 17 K 104.10-06 SAB 21 K 104.10-06 SAB 1418 U K 104.10-06 SAB 1916 U K 104.10-06 SAB 17 N K 104.10-06 SAB 21 N</p>
<p>2 ↔ 2</p> 		<p>Female thread Innengewinde</p>	<p>BSP 3/8 BSP 1/2 UNF 9/16-18 UNF 3/4-16 NPT 3/8 NPT 1/2</p>	<p>K 104.10-04 SAB 17 K 104.10-04 SAB 21 K 104.10-04 SAB 1418 U K 104.10-04 SAB 1916 U K 104.10-04 SAB 17 N K 104.10-04 SAB 21 N</p>
<p>1 ↔ 1</p> 		<p>Female thread Innengewinde</p>	<p>BSP 3/8 BSP 1/2 UNF 9/16-18 UNF 3/4-16 NPT 3/8 NPT 1/2</p>	<p>K 104.10-02 SAB 17 K 104.10-02 SAB 21 K 104.10-02 SAB 1418 U K 104.10-02 SAB 1916 U K 104.10-02 SAB 17 N K 104.10-02 SAB 21 N</p>

rtc TYPE M 104.10

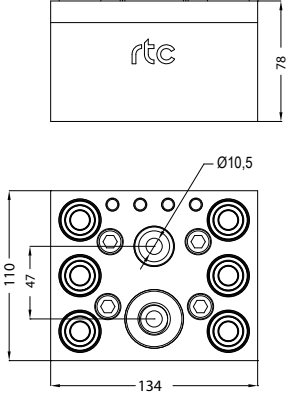
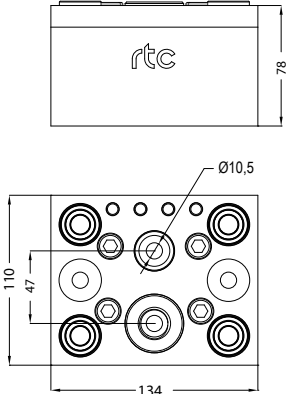
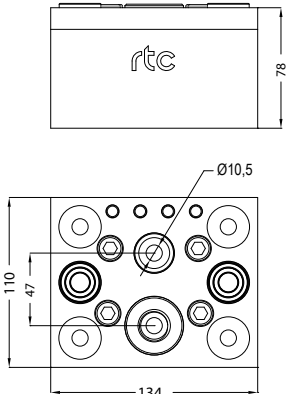
Flow diameter 10 mm / Nennweite 10 mm

TYPE M 104.10	Mobile side with locking screw / Versorgerseite mit Spindelverschraubung		Item code / Artikelnummer
<p>3 ↔ 3</p> 	<p>Female thread Innengewinde</p>	<p>BSP 3/8 BSP 1/2 UNF 9/16-18 UNF 3/4-16 NPT 3/8 NPT 1/2</p>	<p>M 104.10-06 PFB 17 LP M 104.10-06 PFB 21 LP M 104.10-06 PUB 1418 LP M 104.10-06 PUB 1916 LP M 104.10-06 PNB 17 LP M 104.10-06 PNB 21 LP</p>
<p>2 ↔ 2</p> 	<p>Female thread Innengewinde</p>	<p>BSP 3/8 BSP 1/2 UNF 9/16-18 UNF 3/4-16 NPT 3/8 NPT 1/2</p>	<p>M 104.10-04 PFB 17 LP M 104.10-04 PFB 21 LP M 104.10-04 PUB 1418 LP M 104.10-04 PUB 1916 LP M 104.10-04 PNB 17 LP M 104.10-04 PNB 21 LP</p>
<p>1 ↔ 1</p> 	<p>Female thread Innengewinde</p>	<p>BSP 3/8 BSP 1/2 UNF 9/16-18 UNF 3/4-16 NPT 3/8 NPT 1/2</p>	<p>M 104.10-02 PFB 17 LP M 104.10-02 PFB 21 LP M 104.10-02 PUB 1418 LP M 104.10-02 PUB 1916 LP M 104.10-02 PNB 17 LP M 104.10-02 PNB 21 LP</p>

High - Flow

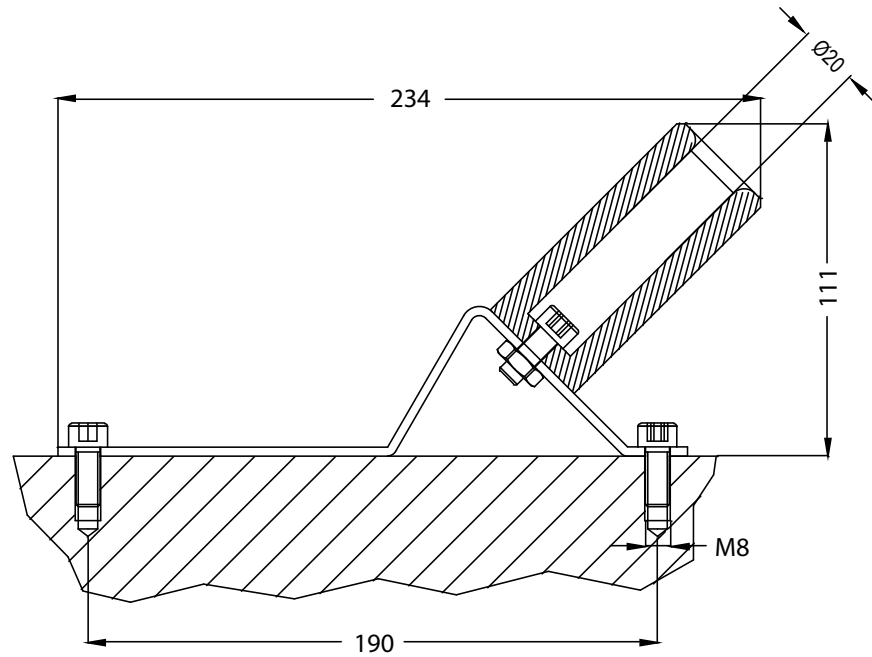
Flow diameter 10 mm / Nennweite 10 mm

TYPE M 104.10 **rtc**

TYPE K 104.10	Mould side with locking nut / Abnehmerseite mit Schraubbuchse		Item code / Artikelnummer	
<p>3 ↔ 3</p> 		<p>Female thread Innengewinde</p>	<p>BSP 3/8 BSP 1/2 UNF 9/16-18 UNF 3/4-16 NPT 3/8 NPT 1/2</p>	<p>K 104.10-06 SAB 17 LN K 104.10-06 SAB 21 LN K 104.10-06 SAB 1418 U LN K 104.10-06 SAB 1916 U LN K 104.10-06 SAB 17 N LN K 104.10-06 SAB 21 N LN</p>
		<p>Female thread Innengewinde</p>	<p>BSP 3/8 BSP 1/2 UNF 9/16-18 UNF 3/4-16 NPT 3/8 NPT 1/2</p>	<p>K 104.10-04 SAB 17 LN K 104.10-04 SAB 21 LN K 104.10-04 SAB 1418 U LN K 104.10-04 SAB 1916 U LN K 104.10-04 SAB 17 N LN K 104.10-04 SAB 21 N LN</p>
<p>1 ↔ 1</p> 		<p>Female thread Innengewinde</p>	<p>BSP 3/8 BSP 1/2 UNF 9/16-18 UNF 3/4-16 NPT 3/8 NPT 1/2</p>	<p>K 104.10-02 SAB 17 LN K 104.10-02 SAB 21 LN K 104.10-02 SAB 1418 U LN K 104.10-02 SAB 1916 U LN K 104.10-02 SAB 17 N LN K 104.10-02 SAB 21 N LN</p>

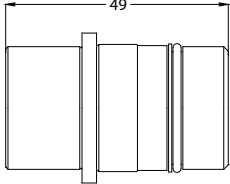

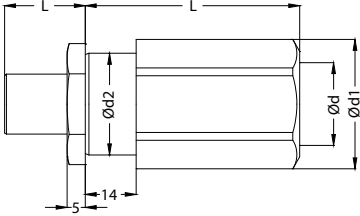

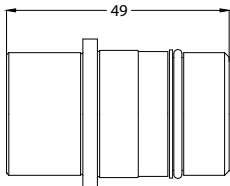

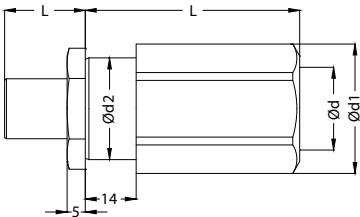

rtc TYPE M 104

TYPE M 104	Parking plate / Parkplatte	Item code / Artikelnummer		
	<table border="1"> <tr> <td data-bbox="842 338 1026 398">For mobile side Für Versorgerseiten</td> <td data-bbox="1026 338 1257 398">For M 104.08 / M 104.10 Für M 104.08 / M 104.10</td> </tr> </table>	For mobile side Für Versorgerseiten	For M 104.08 / M 104.10 Für M 104.08 / M 104.10	M 104.08-06 PP
For mobile side Für Versorgerseiten	For M 104.08 / M 104.10 Für M 104.08 / M 104.10			



TYPE M 104	Parking plate / Parkplatte
------------	----------------------------



TYPE M 104.08	Socket / Kupplung			Item code / Artikelnummer
		Assembling socket Kupplung für den Einbau	Ø8 mm	104.08 SAB 00 MP
				
TYPE M 104.08	Plug / Nippel			
		Female thread Innengewinde	BSP 3/8 BSP 1/2 UNF 9/16-18 UNF 3/4-16 NPT 3/8 NPT 1/2	104.08 PFB 17 MP 104.08 PFB 21 MP 104.08 PUB 1418 MP 104.08 PUB 1916 MP 104.08 PNB 17 MP 104.08 PNB 21 MP
				
TYPE M 104.10	Socket / Kupplung	High - Flow		
		Assembling socket Kupplung für den Einbau	Ø10 mm	104.10 SAB 00 MP
				
TYPE M 104.10	Plug / Nippel	High - Flow		
		Female thread Innengewinde	BSP 3/8 BSP 1/2 UNF 9/16-18 UNF 3/4-16 NPT 3/8 NPT 1/2	104.10 PFB 17 MP 104.10 PFB 21 MP 104.10 PUB 1418 MP 104.10 PUB 1916 MP 104.10 PNB 17 MP 104.10 PNB 21 MP
				



rtc[®]

COUPLING TECHNOLOGY



M115

rtc TYPE

rtc Multicoupling systems
rtc Multikupplungssysteme type M115



rtc Multicoupling systems / rtc Multikupplungssysteme type M115



Type	Max. Working Pressure Max. Betriebsdruck	Flow size Nennweite	Connections Anschlüsse	Circuits Kreislauf
rtc M115.03 rtc M115.05	100 bar 100 bar	Ø3 Ø5	6 - 8	

Temperature Range - Temperaturbereich

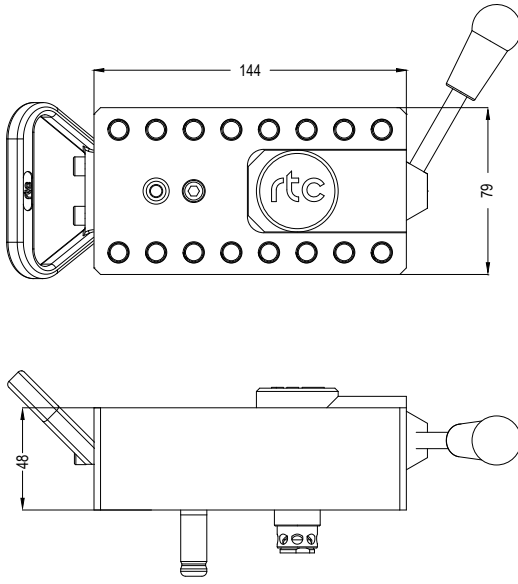

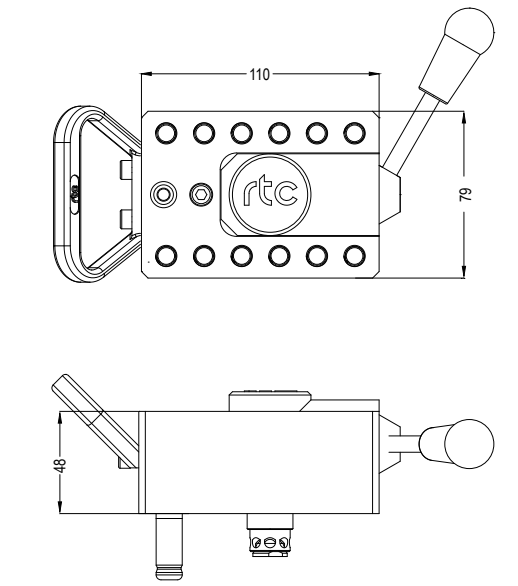

-10°C +100°C (+14°F +212°F) - Nitrile (N)
 -10°C +150°C (+14°F +302°F) - FPM (V)



<p>Specification</p> <p>Connecting and disconnecting the circuits in one operation for quick mold change 2 different sizes (Ø3, Ø5) Compact design Non spill</p>	<p>Eigenschaften</p> <p>Verbinden und Trennen von mehreren Kreisläufen in einem Arbeitsgang für das schnelle Rüsten Erhältlich in 2 Nennweiten (Ø3, Ø5) Kompakte Baugröße Flat Face</p>
<p>Applications</p> <p>Aluminium die casting Test units Plastics industry / caskades</p>	<p>Anwendungen</p> <p>Aluminiumdruckguß Prüfstände Kunststoffindustrie / Kaskaden</p>

rtc TYPE M 115.03

Flow diameter 3 mm / Nennweite 3 mm

TYPE M 115.03	Mobile side / Versorgerseite		Item code / Artikelnummer
<p>8 ↔ 8</p> 	<p>Female thread Innengewinde</p>	<p>BSP 1/8 UNF 3/8-24 BSPT 1/8</p>	<p>M 115.03-16 SAB 10 M 115.03-16 SAB 09 U M 115.03-16 SAB 10 Q</p> 
<p>6 ↔ 6</p> 	<p>Female thread Innengewinde</p>	<p>BSP 1/8 UNF 3/8-24 BSPT 1/8</p>	<p>M 115.03-12 SAB 10 M 115.03-12 SAB 09 U M 115.03-12 SAB 10 Q</p> 

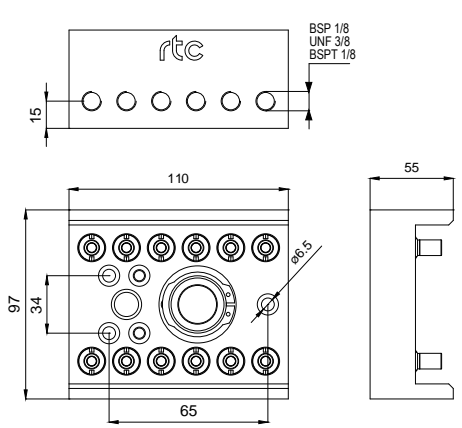

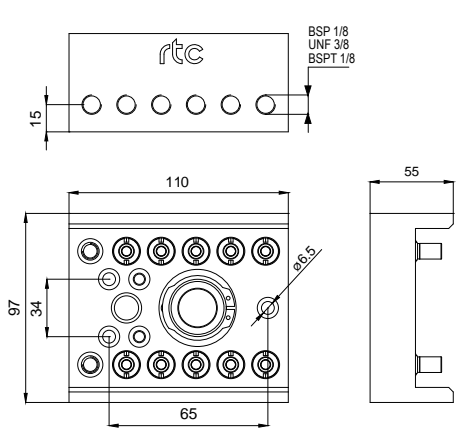

Flow diameter 3 mm / Nennweite 3 mm

TYPE M 115.03 **rtc**

TYPE K 115.03	Mould side / Abnehmerseite		Item code / Artikelnummer	
<p>8 ↔ 8</p>		<p>Mould plate with 16 plugs Platte mit 16 Anschlüsse</p>	<p>BSP 1/8 UNF 3/8-24 BSPT 1/8</p>	<p>K 115.03-16 PMB 10 K 115.03-16 PMB 09 U K 115.03-16 PMB 10 Q</p>
<p>7 ↔ 7</p>		<p>Mould plate with 14 plugs Platte mit 14 Anschlüsse</p>	<p>BSP 1/8 UNF 3/8-24 BSPT 1/8</p>	<p>K 115.03-14 PMB 10 K 115.03-14 PMB 09 U K 115.03-14 PMB 10 Q</p>

rtc TYPE M 115.03

Flow diameter 3 mm / Nennweite 3 mm

TYPE K 115.03	Mould side / Abnehmerseite		Item code / Artikelnummer
<p>6 ↔ 6</p>		<p>Mould plate with 12 plugs Platte mit 12 Anschlüsse</p>	<p>BSP 1/8 UNF 3/8-24 BSPT 1/8</p> <p>K 115.03-12 PMB 10 K 115.03-12 PMB 09 U K 115.03-12 PMB 10 Q</p> 
<p>5 ↔ 5</p>		<p>Mould plate with 10 plugs Platte mit 10 Anschlüsse</p>	<p>BSP 1/8 UNF 3/8-24 BSPT 1/8</p> <p>K 115.03-10 PMB 10 K 115.03-10 PMB 09 U K 115.03-10 PMB 10 Q</p> 

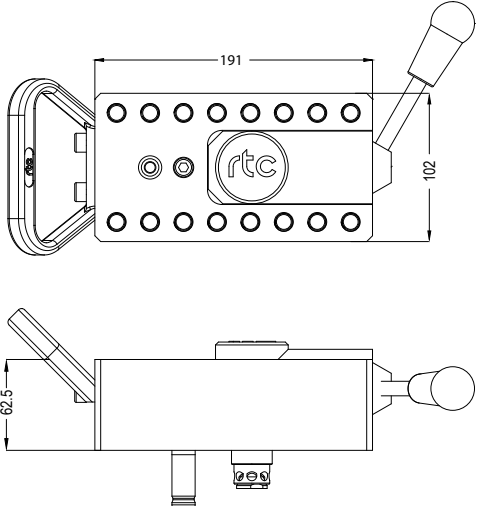

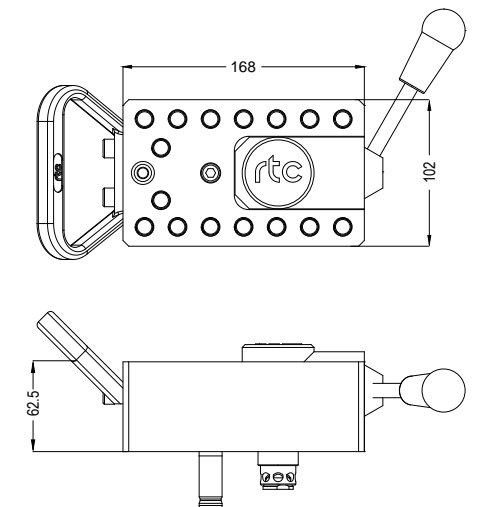

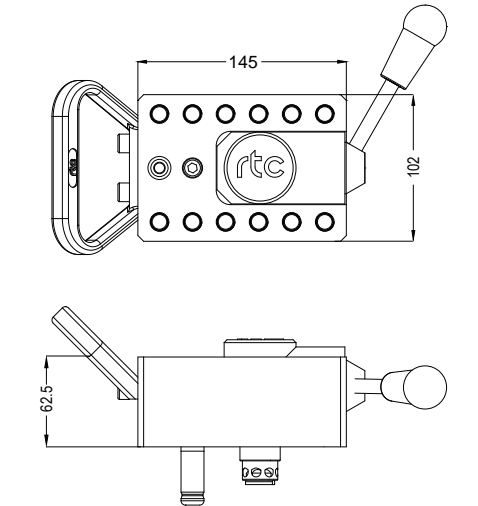

Flow diameter 3 mm / Nennweite 3 mm

TYPE M 115.03 **rtc**

TYPE K 115.03	Mould side / Abnehmerseite		Item code / Artikelnummer
<p>4 ↔ 4</p>		<p>Mould plate with 8 plugs Platte mit 8 Anschlüsse</p>	<p>BSP 1/8 UNF 3/8-24 BSPT 1/8</p> <p>K 115.03-08 PMB 10 K 115.03-08 PMB 09 U K 115.03-08 PMB 10 Q</p>
<p>3 ↔ 3</p>		<p>Mould plate with 6 plugs Platte mit 6 Anschlüsse</p>	<p>BSP 1/8 UNF 3/8-24 BSPT 1/8</p> <p>K 115.03-06 PMB 10 K 115.03-06 PMB 09 U K 115.03-06 PMB 10 Q</p>
<p>2 ↔ 2</p>		<p>Mould plate with 4 plugs Platte mit 4 Anschlüsse</p>	<p>BSP 1/8 UNF 3/8-24 BSPT 1/8</p> <p>K 115.03-04 PMB 10 K 115.03-04 PMB 09 U K 115.03-04 PMB 10 Q</p>

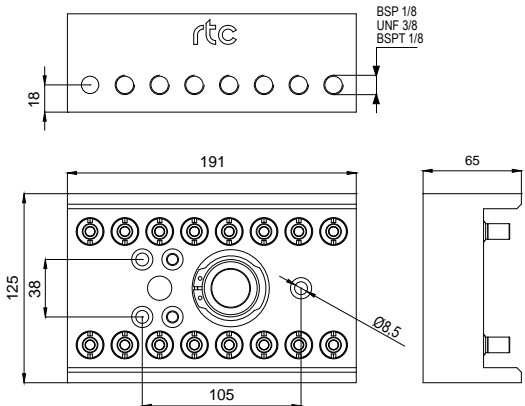

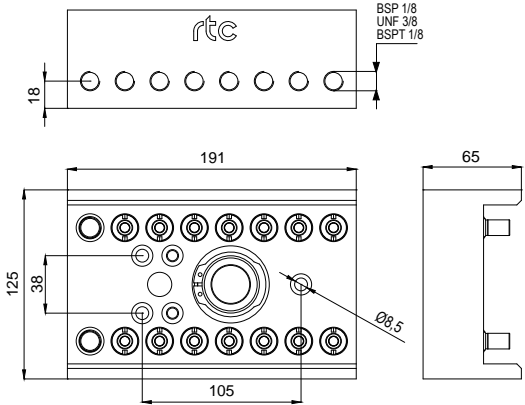

rtc TYPE M 115.05

Flow diameter 5 mm / Nennweite 5 mm

TYPE M 115.05	Mobile side / Versorgerseite	Item code / Artikelnummer	
<p>8 ↔ 8</p> 	<p>Female thread Innengewinde</p>	<p>BSP 1/4 UNF 9/16-18 BSPT 1/4</p>	<p>M 115.05-16 SAB 13 M 115.05-16 SAB 14 U M 115.05-16 SAB 13 Q</p> 
<p>8 ↔ 8</p> 	<p>Female thread Innengewinde</p>	<p>BSP 1/4 UNF 9/16-18 BSPT 1/4</p>	<p>M 115.05-16-01 SAB 13 M 115.05-16-01 SAB 14 U M 115.05-16-01 SAB 13 Q</p> 
<p>6 ↔ 6</p> 	<p>Female thread Innengewinde</p>	<p>BSP 1/4 UNF 9/16-18 BSPT 1/4"</p>	<p>M 115.05-12 SAB 13 M 115.05-12 SAB 14 U M 115.05-12 SAB 13 Q</p> 

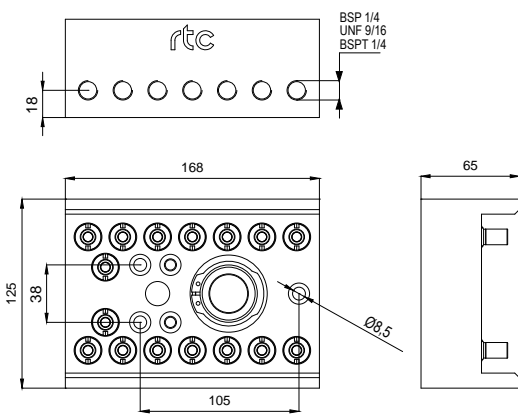

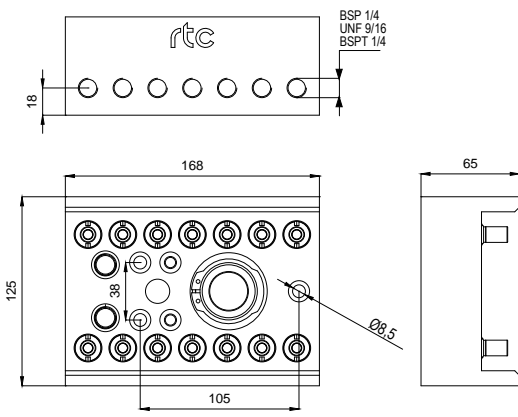

Flow diameter 5 mm / Nennweite 5 mm

TYPE M 115.05 **rtc**

TYPE K 115.05	Mould side / Abnehmerseite		Item code / Artikelnummer
<p>8 ↔ 8</p> 	<p>Mould plate with 16 plugs Platte mit 16 Anschlüsse</p>	<p>BSP 1/8 UNF 9/16-18 BSPT 1/4</p> 	<p>K 115.05-16 PMB 13 K 115.05-16 PMB 14 U K 115.05-16 PMB 13 Q</p>
<p>7 ↔ 7</p> 	<p>Mould plate with 14 plugs Platte mit 14 Anschlüsse</p>	<p>BSP 1/4 UNF 9/16-18 BSPT 1/4</p> 	<p>K 115.05-14 PMB 13 K 115.05-14 PMB 14 U K 115.05-14 PMB 13 Q</p>

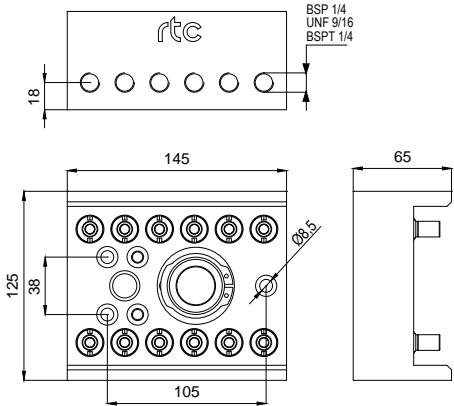

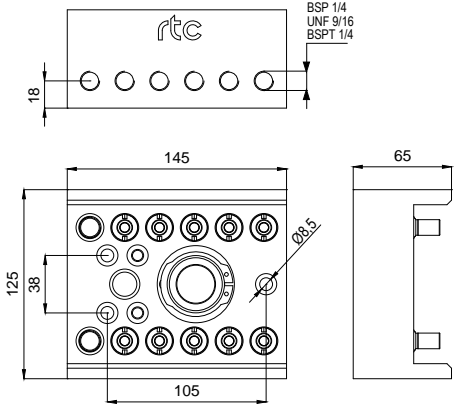

rtc TYPE M 115.05

Flow diameter 5 mm / Nennweite 5 mm

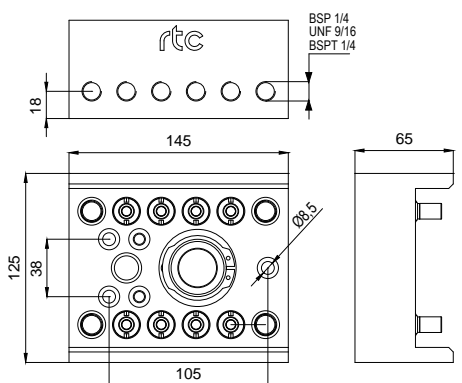

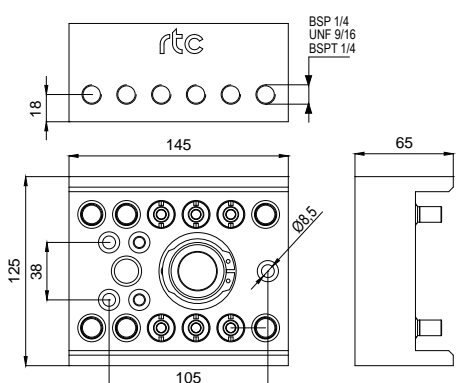

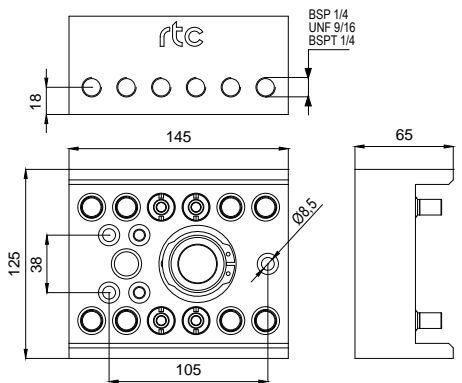

TYPE K 115.05	Mould side / Abnehmerseite		Item code / Artikelnummer
<p>8 ↔ 8</p> 	<p>Mould plate with 16 plugs Platte mit 16 Anschlüsse</p>	<p>BSP 1/4 UNF 9/16-18 BSPT 1/4</p> 	<p>K 115.05-16-01 PMB 13 K 115.05-16-01 PMB 14 U K 115.05-16-01 PMB 13 Q</p>
<p>7 ↔ 7</p> 	<p>Mould plate with 14 plugs Platte mit 14 Anschlüsse</p>	<p>BSP 1/4 UNF 9/16-18 BSPT 1/4</p> 	<p>K 115.05-14-01 PMB 13 K 115.05-14-01 PMB 14 U K 115.05-14-01 PMB 13 Q</p>

Flow diameter 5 mm / Nennweite 5 mm

TYPE M 115.05 **rtc**

TYPE K 115.05	Mould side / Abnehmerseite		Item code / Artikelnummer	
<p>6 ↔ 6</p>		<p>Mould plate with 12 plugs Platte mit 12 Anschlüsse</p>	<p>BSP 1/4 UNF 9/16-18 BSPT 1/4</p>	<p>K 115.05-12 PMB 13 K 115.05-12 PMB 14 U K 115.05-12 PMB 13 Q</p> 
<p>5 ↔ 5</p>		<p>Mould plate with 10 plugs Platte mit 10 Anschlüsse</p>	<p>BSP 1/4 UNF 9/16-18 BSPT 1/4</p>	<p>K 115.05-10 PMB 13 K 115.05-10 PMB 14 U K 115.05-10 PMB 13 Q</p> 

rtc TYPE M 115.05 Flow diameter 5 mm / Nennweite 5 mm

TYPE K 115.05	Mould side / Abnehmerseite		Item code / Artikelnummer
<p>4 ↔ 4</p> 	<p>Mould plate with 8 plugs Platte mit 8 Anschlüsse</p>	<p>BSP 1/4 UNF 9/16-18 BSPT 1/4</p>	<p>K 115.05-08 PMB 13 K 115.05-08 PMB 14 U K 115.05-08 PMB 13 Q</p> 
<p>3 ↔ 3</p> 	<p>Mould plate with 6 plugs Platte mit 6 Anschlüsse</p>	<p>BSP 1/4 UNF 9/16-18 BSPT 1/4</p>	<p>K 115.05-06 PMB 13 K 115.05-06 PMB 14 U K 115.05-06 PMB 13 Q</p> 
<p>2 ↔ 2</p> 	<p>Mould plate with 4 plugs Platte mit 4 Anschlüsse</p>	<p>BSP 1/4 UNF 9/16-18 BSPT 1/4</p>	<p>K 115.05-04 PMB 13 K 115.05-04 PMB 14 U K 115.05-04 PMB 13 Q</p> 

TYPE M 115	Parking plate / Parkplatte				Item code / Artikelnummer		
		For mobile side Für Versorgerseiten	12 / 16	M 115.05 PP			
TYPE M 115	Assembling tool - Montagewerkzeug		Size Größe	Item code / Artikelnummer			
		Assembling plug tool Montagewerkzeug für Nippel	Ø3 mm Ø5 mm	115.03 PAT 08 115.05 PAT 14			
TYPE M 115	Sockets / Kupplungen		Size Größe	L	D	Item code / Artikelnummer	
		Assembling socket Kupplung für den Einbau	Ø3 mm Ø5 mm	26.6 34.7	12.5 18.5	115.03 SAB 00 115.05 SAB 00	
TYPE M 115	Plugs / Nippel		Size Größe	L	L1	D	Item code / Artikelnummer
		Male thread Aussengewinde	Ø3 mm Ø5 mm	27.8 37.5	10 16	M8x1.0 M14x1.5	115.03 PMB 0810 115.05 PMB 1415



rtc[®]

COUPLING TECHNOLOGY



M150

rtc TYPE

rtc Multicoupling systems
rtc Multikupplungssysteme type M150



rtc Multicoupling systems / rtc Multikupplungssysteme type M150



Type	Max. Working Pressure Max. Betriebsdruck	Flow size Nennweite	Connections Anschlüsse	Circuits Anschlüsse
rtc M150.09	16 bar	09	6 / 12 / 18	3 / 6 / 9
rtc M150.12	16 bar	12	6 / 12 / 18	3 / 6 / 9

<p>Temperature Range - Temperaturbereich</p> <p>For oil / bei Öl -10°C +200°C (+14°F +392°F) FPM (V)</p> <p>For water / bei Wasser -10°C +160°C (+14°F +320°F) FPM (V)</p>	
--	--



Specification

Connecting and disconnecting the circuits in one operation for quick mold change

Colour coded plates for circuit definition

Eigenschaften

Verbinden und Trennen von mehreren Kreisläufen in einem Arbeitsgang für das schnelle Rüsten

Kennzeichnung von Zu- und Rücklauf durch farbige Platten

Applications

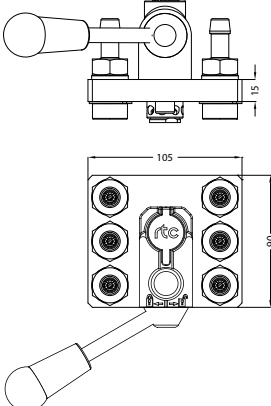

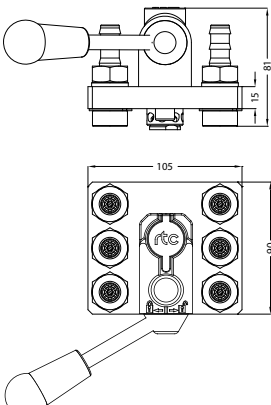

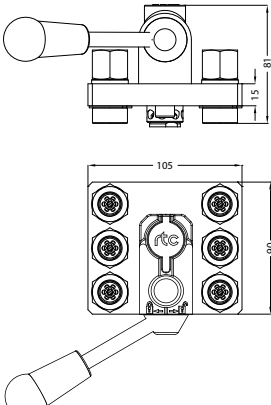

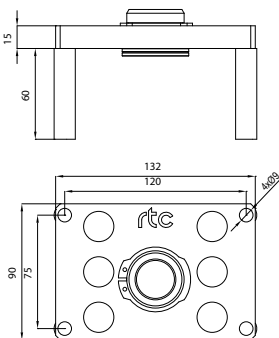

Aluminium die casting
Test units
Plastics industry / cooling heating

Anwendungen

Aluminiumdruckguß
Prüfstände
Kunststoffindustrie / Mehrkreistemperierung / Kühlen Temperieren

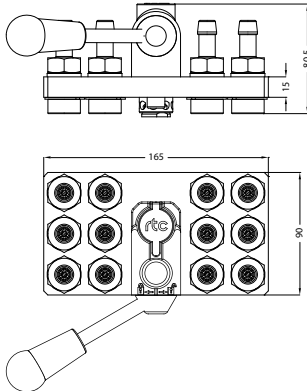

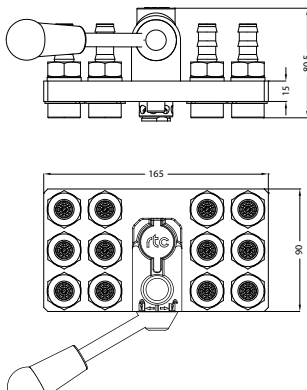

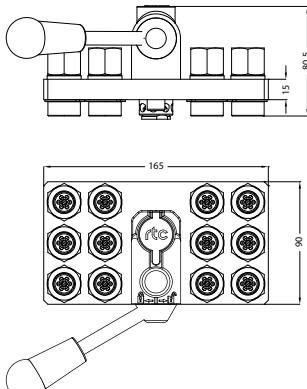

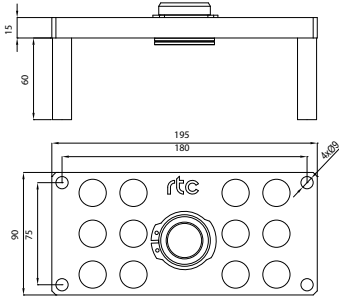

rtc TYPE M 150.09

Flow diameter 9 mm / Nennweite 9 mm

TYPE M 150.09	Mobile side / Versorgerseite	Item code / Artikelnummer		
<p>3 ↔ 3</p>		Standard hose Schlauchanschluss	 Ø09 Ø12	M 150.09-06 SHB 09 M 150.09-06 SHB 12
		Push to connect Steckschlauchanschluss	 Ø10 Ø13	M 150.09-06 SPB 10 M 150.09-06 SPB 13
		Female thread Innengewinde	 BSP 3/8 NPT 3/8	M 150.09-06 SFB 17 M 150.09-06 SNB 17
<p>3 ↔ 3</p>	<p>TYPE K 150.09</p> <p>Mould side / Abnehmerseite</p> 	Item code / Artikelnummer		
Plate for 6 lines / Platte für 6 Anschlüsse		K 150.09-06		
				

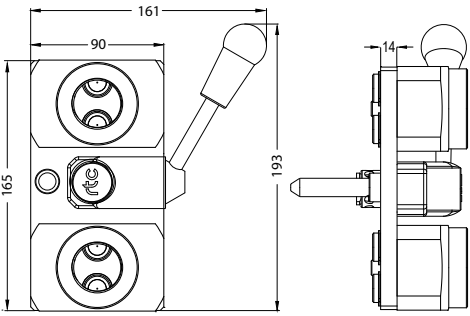


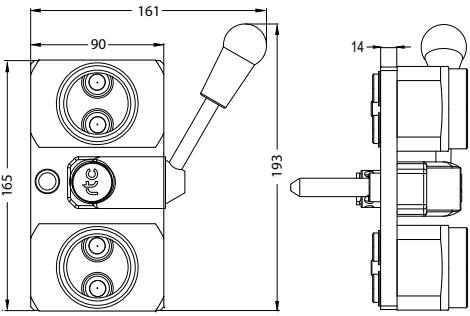


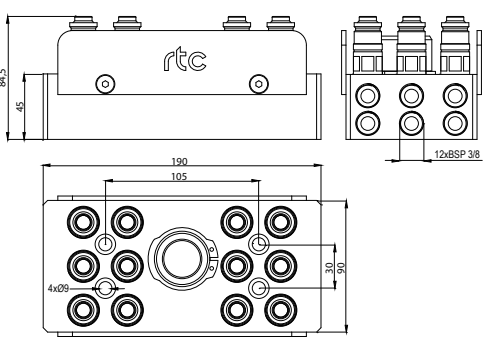

Flow diameter 9 mm / Nennweite 9 mm

TYPE M 150.09 **rtc**

TYPE M 150.09	Mobile side / Versorgerseite		Item code / Artikelnummer	
<p>6 ↔ 6</p>		<p>Standard hose Schlauchanschluss</p>	 <p>Ø09 Ø12</p>	<p>M 150.09-12 SHB 09 M 150.09-12 SHB 12</p>
		<p>Push to connect Steckschlauchanschluss</p>	 <p>Ø10 Ø13</p>	<p>M 150.09-12 SPB 10 M 150.09-12 SPB 13</p>
		<p>Female thread Innengewinde</p>	 <p>BSP 3/8 NPT 3/8</p>	<p>M 150.09-12 SFB 17 M 150.09-12 SNB 17</p>
<p>6 ↔ 6</p>	<p>Mould side / Abnehmerseite</p>		<p>Item code / Artikelnummer</p>	
		<p>Plate for 12 lines / Platte für 12 Anschlüsse</p>		<p>K 150.09-12</p>
				

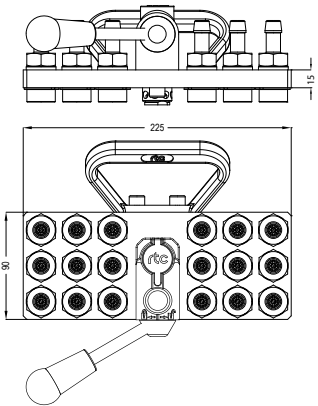

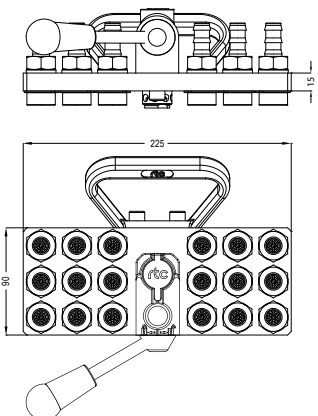

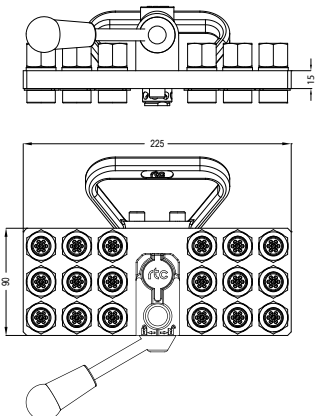

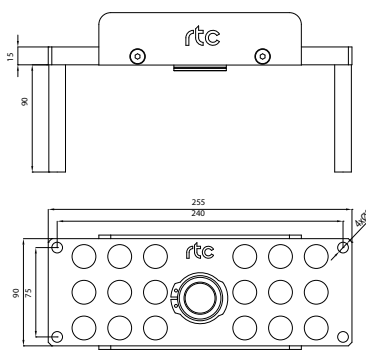

rtc TYPE M 150.09

Flow diameter 9 mm / Nennweite 9 mm

TYPE M 150.09	Mobile side / Versorgerseite		Item code / Artikelnummer
<p>6 ↔ 6</p> 	<p>Female thread collector Innengewinde Sammler</p>	 <p>BSP 1 NPT 1</p> 	<p>M 150.09-12 C 33 M 150.09-12 CN 33</p>
<p>6 ↔ 6</p> 	<p>Female thread collector Innengewinde Sammler</p>	 <p>BSP 1-1/4 NPT 1-1/4</p> 	<p>M 150.09-12 C 42 M 150.09-12 CN 42</p>
TYPE K 150.09	Mould side / Abnehmerseite		Item code / Artikelnummer
<p>6 ↔ 6</p> 	<p>Mould plate with 12 plugs Platte mit 12 Anschlüsse</p>	<p>BSP 3/8</p> 	<p>K 150.09-12 PMB 17</p>

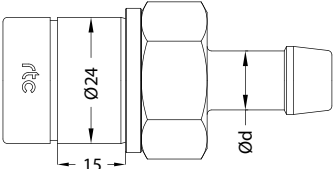

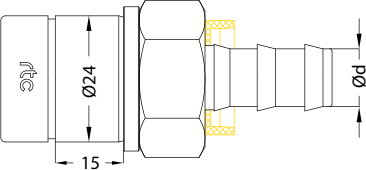

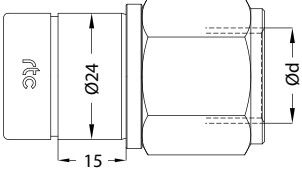

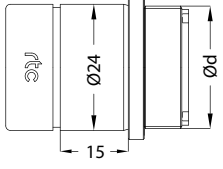

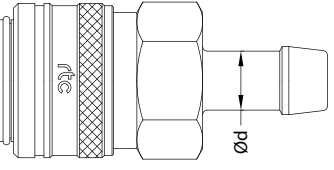

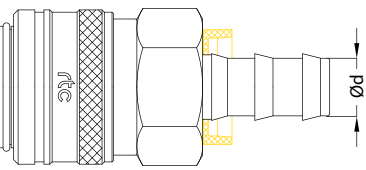

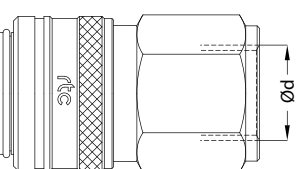
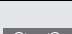
Flow diameter 9 mm / Nennweite 9 mm

TYPE M 150.09 **rtc**

TYPE M 150.09	Mobile side / Versorgerseite	Item code / Artikelnummer		
<div style="background-color: #ccc; padding: 5px; text-align: center; font-weight: bold;">9 ↔ 9</div>		Standard hose Schlauchanschluss	 Ø09 Ø12	M 150.09-18 SHB 09 M 150.09-18 SHB 12
		Push to connect Steckschlauchanschluss	 Ø10 Ø13	M 150.09-18 SPB 10 M 150.09-18 SPB 13
		Female thread Innengewinde	 BSP 3/8 NPT 3/8	M 150.09-18 SFB 17 M 150.09-18 SNB 17
TYPE K 150.09	Mould side / Abnehmerseite	Item code / Artikelnummer		
<div style="background-color: #ccc; padding: 5px; text-align: center; font-weight: bold;">9 ↔ 9</div>		Plate for 18 lines / Platte für 18 Anschlüsse	K 150.09-18	
				

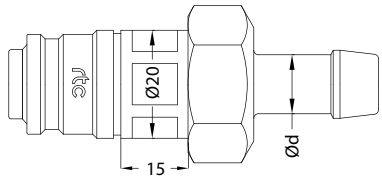




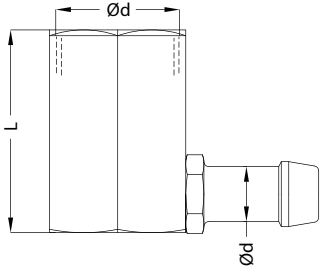
rtc TYPE M 150.09

Flow diameter 9 mm / Nennweite 9 mm

TYPE M 150.09	Sockets / Kupplungen	Connection / Anschluss	Item code / Artikelnummer
TYPE M 150.09		Standard hose Schlauchanschluss  Ø9 Ø12	M 150.09 SHB 09 M 150.09 SHB 12
		Push to connect Steckschlauchanschluss  Ø10 Ø13	M 150.09 SPB 10 M 150.09 SPB 13
		Female thread Innengewinde  BSP 3/8 NPT 3/8	M 150.09 SFB 17 M 150.09 SNB 17
		For Collector Für Sammler  M 22x1,0	M 150.09 SMB 2210
TYPE M 150.09	Sockets / Kupplungen (mono)	Connection / Anschluss	Item code / Artikelnummer
TYPE M 150.09		Standard hose Schlauchanschluss  Ø9 Ø12	150.09 SHB 09 150.09 SHB 12
		Push to connect Steckschlauchanschluss  Ø10 Ø13	150.09 SPB 10 150.09 SPB 13
		Female thread Innengewinde  BSP 3/8 NPT 3/8	150.09 SFB 17 150.09 SNB 17

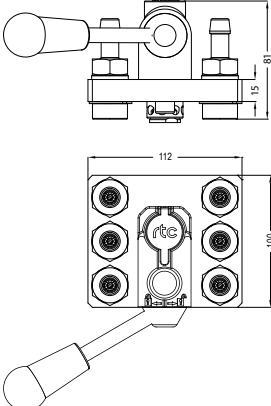

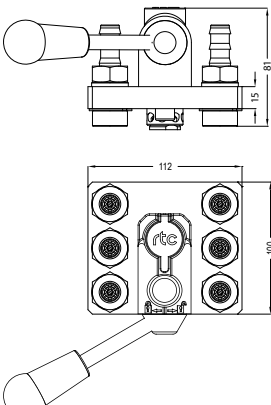

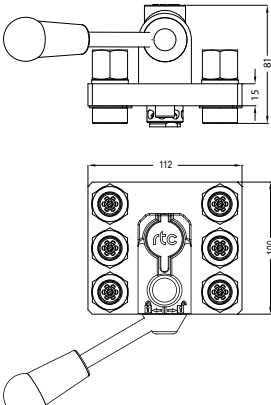

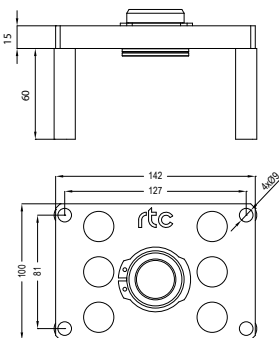

Flow diameter 9 mm / Nennweite 9 mm

TYPE M 150.09 **rtc**

TYPE M 150.09	Plugs / Nippel	Connection / Anschluss	Item code / Artikelnummer	
	Standard hose Schlauchanschluss	 Ø9 Ø12	M 150.09 PHB 09 M 150.09 PHB 12	
	Push to connect Steckschlauchanschluss	 Ø10 Ø13	M 150.09 PPB 10 M 150.09 PPB 13	
	Female thread Innengewinde	 BSP 3/8 NPT 3/8	M 150.09 PFB 17 M 150.09 PNB 17	
	For collector Für Sammler	 M 22x1,0	M 150.09 PMB 2210	
TYPE M 150.09	Adapters elbow / Adapter Winkel	Connection / Anschluss	L	Item code / Artikelnummer
	Standard hose Schlauchanschluss	M22x1,0 → Ø9 Ø9 Ø12 Ø12	28 52 28 52	150.09 EBH 09x28-90 150.09 EBH 09x52-90 150.09 EBH 12x28-90 150.09 EBH 12x52-90
	Push to connect Steckschlauchanschluss	M22x1,0 → Ø10 Ø10 Ø13 Ø13	28 52 28 52	150.09 EBP 10x28-90 150.09 EBP 10x52-90 150.09 EBP 13x28-90 150.09 EBP 13x52-90

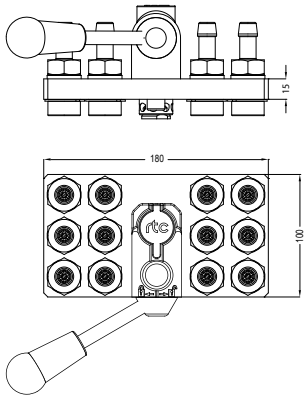

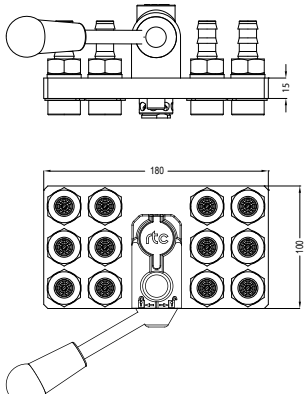

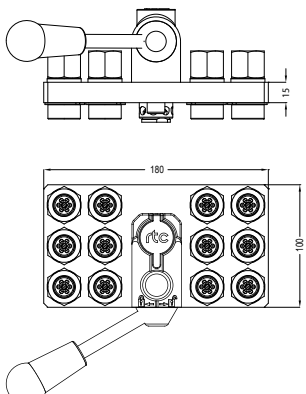

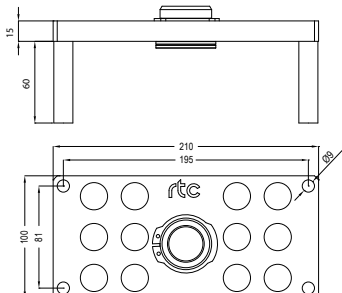
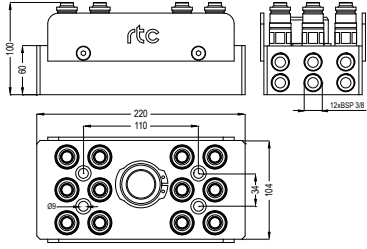

rtc TYPE M 150.12

Flow diameter 12 mm / Nennweite 12 mm

TYPE M 150.12	Mobile side / Versorgerseite	Item code / Artikelnummer		
<p>3 ↔ 3</p>		<p>Standard hose Schlauchanschluss</p>	 <p>Ø12 Ø16</p>	<p>M 150.12-06 SHB 12 M 150.12-06 SHB 16</p>
		<p>Push to connect Steckschlauchanschluss</p>	 <p>Ø13 Ø16</p>	<p>M 150.12-06 SPB 13 M 150.12-06 SPB 16</p>
		<p>Female thread Innengewinde</p>	 <p>BSP 1/2 NPT 1/2</p>	<p>M 150.12-06 SFB 21 M 150.12-06 SNB 21</p>
<p>TYPE K 150.12</p>	<p>Mould side / Abnehmerseite</p>	<p>Item code / Artikelnummer</p>		
<p>3 ↔ 3</p>		<p>Plate for 6 lines / Platte für 6 Anschlüsse</p>	<p>K 150.12-06</p>	
				

Flow diameter 12 mm / Nennweite 12 mm

TYPE M 150.12 **rtc**

TYPE M 150.12	Mobile side / Versorgerseite		Item code / Artikelnummer	
<p>6 ↔ 6</p>		<p>Standard hose Schlauchanschluss</p>	 <p>Ø12 Ø16</p>	<p>M 150.12-12 SHB 12 M 150.12-12 SHB 16</p>
		<p>Push to connect Steckschlauchanschluss</p>	 <p>Ø13 Ø16</p>	<p>M 150.12-12 SPB 13 M 150.12-12 SPB 16</p>
		<p>Female thread Innengewinde</p>	 <p>BSP 1/2 NPT 1/2</p>	<p>M 150.12-12 SFB 21 M 150.12-12 SNB 21</p>
<p>TYPE K 150.12</p>	<p>Mould side / Abnehmerseite</p>		<p>Item code / Artikelnummer</p>	
<p>6 ↔ 6</p>	<p>Only Plate for 12 lines / Nur Platte für 12 Anschlüsse</p>		<p>Plate for 12 lines / Platte für 12 Anschlüsse</p>	<p>K 150.12-12 PMB 17</p>
	<p>K 150.12-12</p> 	 		

rtc TYPE M 150.12

Flow diameter 12 mm / Nennweite 12 mm

TYPE M 150.12	Mobile side / Versorgerseite	Item code / Artikelnummer
<p>9 ↔ 9</p>		<p>Standard hose Schlauchanschluss</p> <p> Ø09 Ø12</p> <p>M 150.12-18 SHB 09 M 150.12-18 SHB 12</p>
		<p>Push to connect Steckschlauchanschluss</p> <p> Ø10 Ø13</p> <p>M 150.12-18 SPB 10 M 150.12-18 SPB 13</p>
		<p>Female thread Innengewinde</p> <p> BSP 3/8 NPT 3/8</p> <p>M 150.12-18 SFB 17 M 150.12-18 SNB 17</p>
TYPE K 150.12	Mould side / Abnehmerseite	Item code / Artikelnummer
<p>9 ↔ 9</p>		<p>Plate for 18 lines / Platte für 18 Anschlüsse</p> <p>K 150.12-18</p>

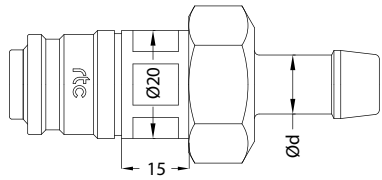


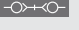

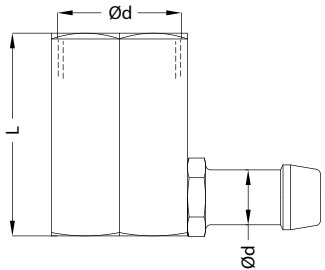
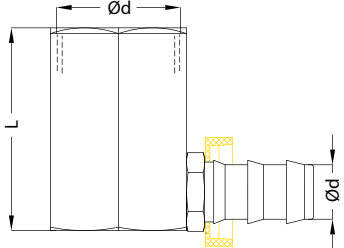
Flow diameter 12 mm / Nennweite 12 mm

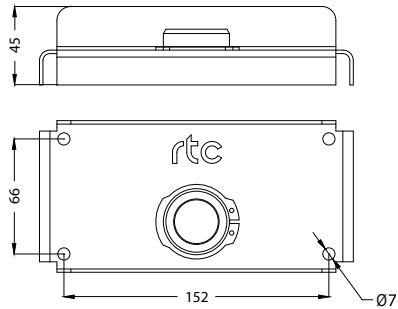

TYPE M 150.12 **rtc**

TYPE M 150.12	Sockets / Kupplungen		Connection / Anschluss	Item code / Artikelnummer	
	Standard hose Schlauchanschluss		Ø12 Ø16	M 150.12 SHB 12 M 150.12 SHB 16	
		Push to connect Steckschlauchanschluss		Ø13 Ø16	M 150.12 SPB 13 M 150.12 SPB 16
		Female thread Innengewinde		BSP 1/2 NPT 1/2	M 150.12 SFB 21 M 150.12 SNB 21
TYPE M 150.12	Sockets / Kupplungen (mono)		Connection / Anschluss	Item code / Artikelnummer	
	Standard hose Schlauchanschluss		Ø12 Ø16	150.12 SHB 12 150.12 SHB 16	
		Push to connect Steckschlauchanschluss		Ø13 Ø16	150.12 SPB 13 150.12 SPB 16
		Female thread Innengewinde		BSP 1/2 NPT 1/2	150.12 SFB 21 150.12 SNB 21

rtc TYPE M 150.12

Flow diameter 12 mm / Nennweite 12 mm

TYPE M 150.12	Plugs / Nippel	Connection / Anschluss		Item code / Artikelnummer	
	Standard hose Schlauchanschluss	 Ø12 Ø16	M 150.12 PHB 12 M 150.12 PHB 16		
	Push to connect Steckschlauchanschluss	 Ø13 Ø16	M 150.12 PPB 13 M 150.12 PPB 16		
	Female thread Innengewinde	 BSP 1/2 NPT 1/2	M 150.12 PFB 21 M 150.12 PNB 21		
	For collector Für Sammler	 M 27x1.0	M 150.12 PMB 2710		
	Adapters elbow / Adapter Winkel	Connection / Anschluss		L	Item code / Artikelnummer
		Standard hose Schlauchanschluss	M27x1.0 → Ø12 Ø12 Ø16 Ø16	28 52 28 52	150.12 EBH 12x33-90 150.12 EBH 12x57-90 150.12 EBH 16x33-90 150.12 EBH 16x57-90
	Adapters elbow / Adapter Winkel	Connection / Anschluss		L	Item code / Artikelnummer
		Push to connect Steckschlauchanschluss	M27x1.0 → Ø13 Ø13 Ø16 Ø16	28 52 28 52	150.12 EBP 13x33-90 150.12 EBP 13x57-90 150.12 EBP 16x33-90 150.12 EBP 16x57-90

TYPE M 150.12	Parking plate / Parkplatte			Item code / Artikelnummer
		For mobile side Für Versorgerseiten	6 / 12 / 18	M 150.09-PP
				



rtc[®]

COUPLING TECHNOLOGY



M152

rtc TYPE

rtc Multicoupling systems
rtc Multikupplungssysteme type M152



rtc Multicoupling systems / rtc Multikupplungssysteme type M152



Type	Max. Working Pressure Max. Betriebsdruck	Flow size Nennweite	Connections Anschlüsse	Circuits Anschlüsse
rtc M152.06	16 bar	6	6 / 12 / 16 / 20	3 / 6 / 8 / 10
rtc M152.10	16 bar	10	6 / 8 / 10 / 12 / 16 / 20 / 24	3 / 4 / 5 / 6 / 8 / 10 / 12
rtc M152.12	16 bar	12	6 / 10 / 12 / 18 / 20	3 / 5 / 6 / 9 / 10
rtc M152.16	16 bar	16	10 / 12	5 / 6

Temperature Range - Temperaturbereich

For oil / bei Öl -10°C +200°C (+14°F +392°F) FPM (V)
For water / bei Wasser -10°C +160°C (+14°F +320°F) FPM (V)



Advantages

- Flat face multi coupling prevents pollution to enter into the circuit
- Flat face multi coupling prevents fluid spillage into the working place

Vorteile

- Flat Face Multikupplung verhindert die Verschmutzung im Kreislauf
- Flat Face Multikupplung verhindert das Austreten von Flüssigkeiten

Specification

Connecting and disconnecting the circuits in one operation for quick mold change

Colour coded plates for circuit definition

Eigenschaften

Verbinden und Trennen von mehreren Kreisläufen in einem Arbeitsgang für das schnelle Rüsten

Kennzeichnung von Zu- und Rücklauf durch farbige Platten

Applications

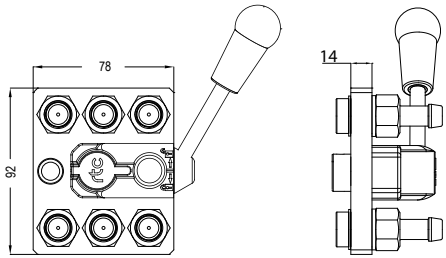






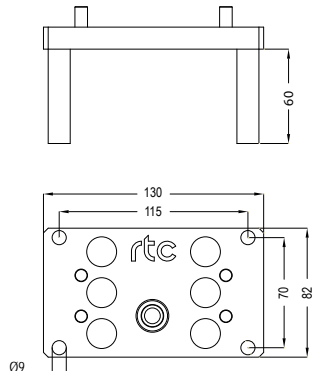

- Aluminium die casting
- Test units
- Plastics industry / cooling heating

Anwendungen

- Aluminiumdruckguß
- Prüfstände
- Kunststoffindustrie / Mehrkreistemperierung / Kühlen Temperieren

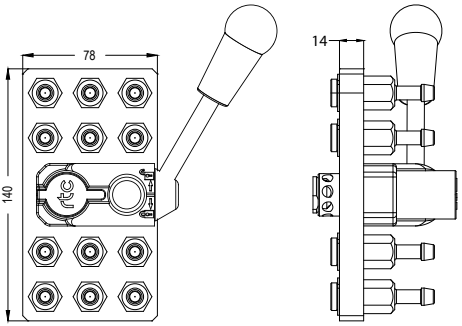


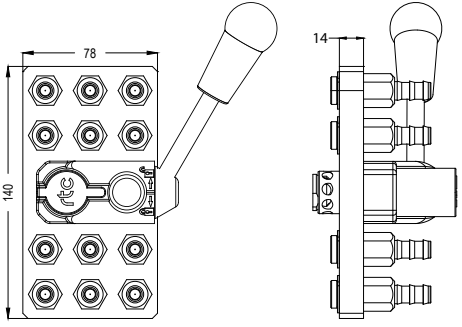


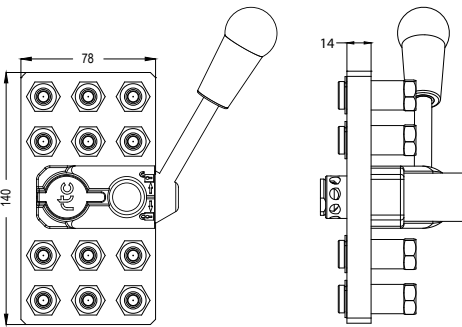


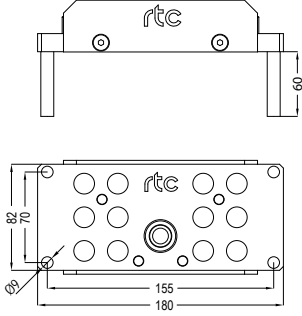

rtc TYPE M 152.06

Flow diameter 6 mm / Nennweite 6 mm

TYPE M 152.06	Mobile side / Versorgerseite	Item code / Artikelnummer
<p>3 ↔ 3</p> 	<p>Standard hose Schlauchanschluss</p>  <p>Ø8 Ø10</p> 	<p>M 152.06-06 SHB 08 M 152.06-06 SHB 10</p>
	<p>Push to connect Steckschlauchanschluss</p>  <p>Ø6 Ø10</p> 	<p>M 152.06-06 SPB 06 M 152.06-06 SPB 10</p>
	<p>Female thread Innengewinde</p>  <p>BSP 1/4 NPT 1/4</p> 	<p>M 152.06-06 SFB 13 M 152.06-06 SNB 13</p>
TYPE K 152.06	Mould side / Abnehmerseite	Item code / Artikelnummer
<p>3 ↔ 3</p> 	<p>Plate for 6 lines / Platte für 6 Anschlüsse</p> 	<p>K 152.06-06</p>


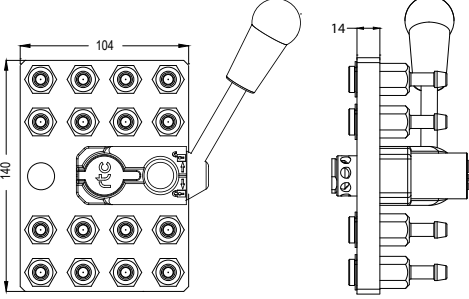



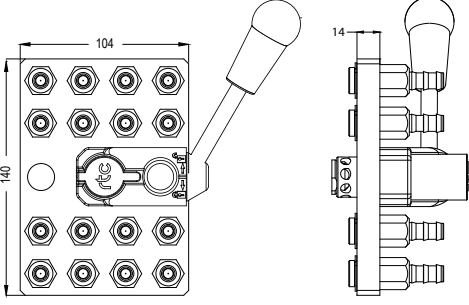







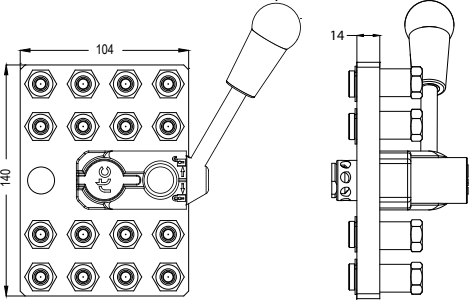

Flow diameter 6 mm / Nennweite 6 mm

TYPE M 152.06 **rtc**

TYPE M 152.06	Mobile side / Versorgerseite		Item code / Artikelnummer
<p>6 ↔ 6</p> 	<p>Standard hose Schlauchanschluss</p>  <p>Ø8 Ø10</p>		<p>M 152.06-12 SHB 08 M 152.06-12 SHB 10</p>
<p>6 ↔ 6</p> 	<p>Push to connect Steckschlauchanschluss</p>  <p>Ø6 Ø10</p>		<p>M 152.06-12 SPB 06 M 152.06-12 SPB 10</p>
<p>6 ↔ 6</p> 	<p>Female thread Innengewinde</p>  <p>BSP 1/4 NPT 1/4</p>		<p>M 152.06-12 SFB 13 M 152.06-12 SNB 13</p>
TYPE K 152.06	Mould side / Abnehmerseite		Item code / Artikelnummer
<p>6 ↔ 6</p> 	<p>Plate for 12 lines / Platte für 12 Anschlüsse</p> 		<p>K 152.06-12</p>

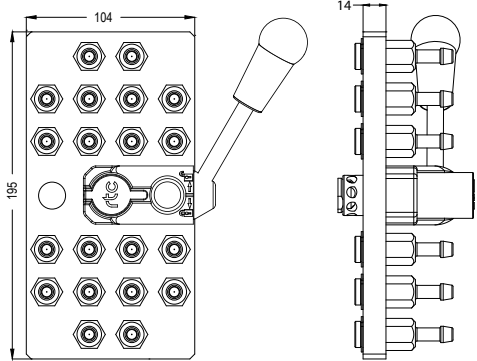






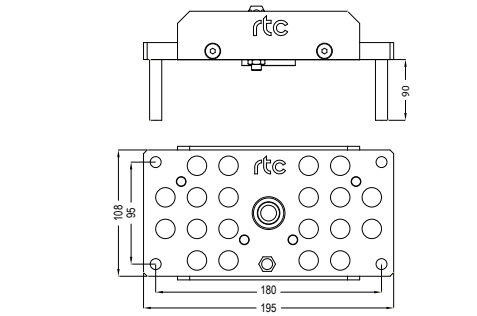

rtc TYPE M 152.06

Flow diameter 6 mm / Nennweite 6 mm

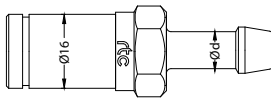

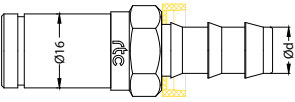

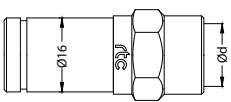

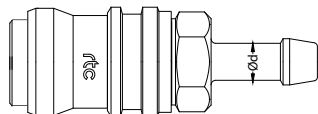

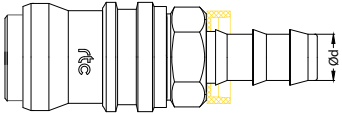

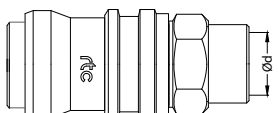

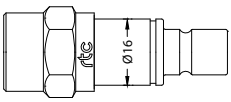



TYPE M 152.06	Mobile side / Versorgerseite	Item code / Artikelnummer			
		<table border="1"> <tr> <td data-bbox="766 342 997 398">Standard hose Schlauchanschluss</td> <td data-bbox="997 342 1273 398">  Ø8 Ø10 </td> <td data-bbox="1273 342 1548 398">M 152.06-16 SHB 08 M 152.06-16 SHB 10</td> </tr> </table>	Standard hose Schlauchanschluss	 Ø8 Ø10	M 152.06-16 SHB 08 M 152.06-16 SHB 10
	Standard hose Schlauchanschluss	 Ø8 Ø10	M 152.06-16 SHB 08 M 152.06-16 SHB 10		
		<table border="1"> <tr> <td data-bbox="766 768 997 824">Push to connect Steckschlauchanschluss</td> <td data-bbox="997 768 1273 824">  Ø6 Ø10 </td> <td data-bbox="1273 768 1548 824">M 152.06-16 SPB 06 M 152.06-16 SPB 10</td> </tr> </table>	Push to connect Steckschlauchanschluss	 Ø6 Ø10	M 152.06-16 SPB 06 M 152.06-16 SPB 10
Push to connect Steckschlauchanschluss	 Ø6 Ø10	M 152.06-16 SPB 06 M 152.06-16 SPB 10			
	<table border="1"> <tr> <td data-bbox="766 1238 997 1294">Female thread Innengewinde</td> <td data-bbox="997 1238 1273 1294">  BSP 1/4 NPT 1/4 </td> <td data-bbox="1273 1238 1548 1294">M 152.06-16SFB 13 M 152.06-16 SNB 13</td> </tr> </table>	Female thread Innengewinde	 BSP 1/4 NPT 1/4	M 152.06-16SFB 13 M 152.06-16 SNB 13	
Female thread Innengewinde	 BSP 1/4 NPT 1/4	M 152.06-16SFB 13 M 152.06-16 SNB 13			
	<p data-bbox="363 1686 659 1709">Mould side / Abnehmerseite</p> 	<table border="1"> <tr> <td data-bbox="766 1720 1273 1765">Plate for 16 lines / Platte für 16 Anschlüsse</td> <td data-bbox="1273 1675 1548 1765">Item code / Artikelnummer K 152.06-16</td> </tr> </table>	Plate for 16 lines / Platte für 16 Anschlüsse	Item code / Artikelnummer K 152.06-16	
Plate for 16 lines / Platte für 16 Anschlüsse	Item code / Artikelnummer K 152.06-16				

Flow diameter 6 mm / Nennweite 6 mm

TYPE M 152.06 **rtc**

TYPE M 152.06	Mobile side / Versorgerseite	Item code / Artikelnummer	
<p>10 ↔ 10</p> 	<p>Standard hose Schlauchanschluss</p>  <p>Ø8 Ø10</p> 	<p>M 152.06-20 SHB 08 M 152.06-20 SHB 10</p>	
	<p>Push to connect Steckschlauchanschluss</p>  <p>Ø6 Ø10</p> 	<p>M 152.06-20 SPB 06 M 152.06-20 SPB 10</p>	
	<p>Female thread Innengewinde</p>  <p>BSP 1/4 NPT 1/4</p> 	<p>M 152.06-20 SFB 13 M 152.06-20 SNB 13</p>	
TYPE K 152.06	Mould side / Abnehmerseite	Item code / Artikelnummer	
<p>10 ↔ 10</p> 	<p>Plate for 20 lines / Platte für 20 Anschlüsse</p> 	<p>K 152.06-20</p>	

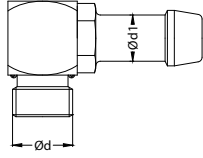
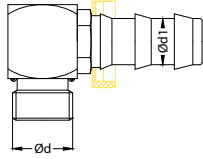
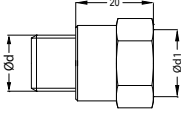
rtc TYPE M 152.06 Flow diameter 6 mm / Nennweite 6 mm

TYPE M 152.06	Socket / Kupplung			Item code / Artikelnummer
	Standard hose Schlauchanschluss 	Ø8	M 152.06 SHB 08	
		Ø10	M 152.06 SHB 10	
		Push to connect Steckschlauchanschluss 	Ø6	M 152.06 SPB 06
Ø10			M 152.06 SPB 10	
	Female thread Innengewinde 	BSP 1/4	M 152.06 SFB 13	
		NPT 1/4	M 152.06 SNB 13	
TYPE M 152.06	Sockets / Kupplungen (mono)			Item code / Artikelnummer
	Standard hose Schlauchanschluss 	Ø8	M 152.06 SHB 08	
		Ø10	M 152.06 SHB 10	
		Push to connect Steckschlauchanschluss 	Ø6	M 152.06 SPB 06
Ø10			M 152.06 SPB 10	
	Female thread Innengewinde 	BSP 1/4	M 152.06 SFB 13	
		NPT 1/4	M 152.06 SNB 13	
TYPE M 152.06	Plug / Nippel			Item code / Artikelnummer
	Female thread Innengewinde 	BSP 1/4	M 152.06 PFB 13	
		NPT 1/4	M 152.06 PNB 13	
		(Full flow)  BSP 1/4	M 152.06 PFF 13	
		(Full flow)  NPT 1/4	M 152.06 PNF 13	

Flow diameter 6 mm / Nennweite 6 mm

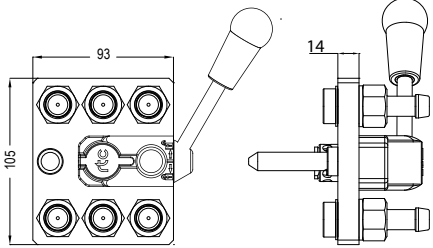


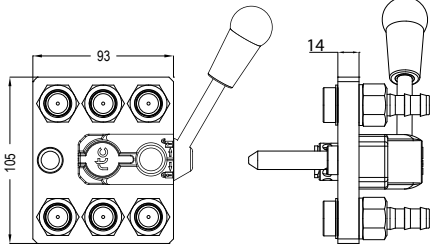


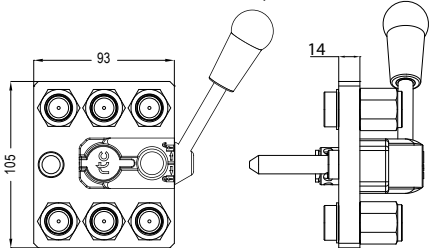


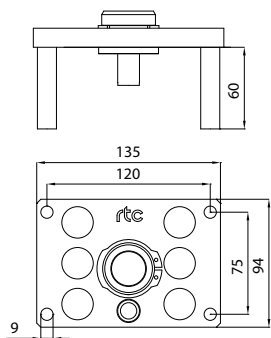

TYPE M 152.06



TYPE M 152.06	Adapters elbow / Adapter Winkel		Item code / Artikelnummer										
	<p>Standard hose Schlauchanschluss</p>	<table border="1"> <tr> <td>BSP 1/4</td> <td>→</td> <td>Ø8 Ø10</td> </tr> <tr> <td>NPT 1/4</td> <td>→</td> <td>Ø8 Ø10</td> </tr> </table>	BSP 1/4	→	Ø8 Ø10	NPT 1/4	→	Ø8 Ø10	<table border="1"> <tr> <td>EBH 13/08-90</td> </tr> <tr> <td>EBH 13/10-90</td> </tr> <tr> <td>EBH 13T/08-90</td> </tr> <tr> <td>EBH 13T/10-90</td> </tr> </table>	EBH 13/08-90	EBH 13/10-90	EBH 13T/08-90	EBH 13T/10-90
	BSP 1/4	→	Ø8 Ø10										
NPT 1/4	→	Ø8 Ø10											
EBH 13/08-90													
EBH 13/10-90													
EBH 13T/08-90													
EBH 13T/10-90													
	<p>Push to connect Steckschlauchanschluss</p>	<table border="1"> <tr> <td>BSP 1/4</td> <td>→</td> <td>Ø6 Ø10</td> </tr> <tr> <td>NPT 1/4</td> <td>→</td> <td>Ø6 Ø10</td> </tr> </table>	BSP 1/4	→	Ø6 Ø10	NPT 1/4	→	Ø6 Ø10	<table border="1"> <tr> <td>EBP 13/06-90</td> </tr> <tr> <td>EBP 13/10-90</td> </tr> <tr> <td>EBP 13T/06-90</td> </tr> <tr> <td>EBP 13T/10-90</td> </tr> </table>	EBP 13/06-90	EBP 13/10-90	EBP 13T/06-90	EBP 13T/10-90
	BSP 1/4	→	Ø6 Ø10										
NPT 1/4	→	Ø6 Ø10											
EBP 13/06-90													
EBP 13/10-90													
EBP 13T/06-90													
EBP 13T/10-90													
		<p>TE 13-20 BSP 1/4" Male (Ød) - BSP 1/4" Female (Ød1) Extension BSP 1/4" Aussengewinde (Ød) - BSP 1/4" Innengewinde (Ød1) Verlängerung</p>											
		<p>TE 13-13N-20 BSP 1/4" Male (Ød) - NPT 1/4" Female (Ød1) Extension BSP 1/4" Aussengewinde (Ød) - NPT 1/4" Innengewinde (Ød1) Verlängerung</p> <p>TE 13T-13N-20 NPT 1/4" Male (Ød) - NPT 1/4" Female (Ød1) Extension NPT 1/4" Aussengewinde (Ød) - NPT 1/4" Innengewinde (Ød1) Verlängerung</p>											

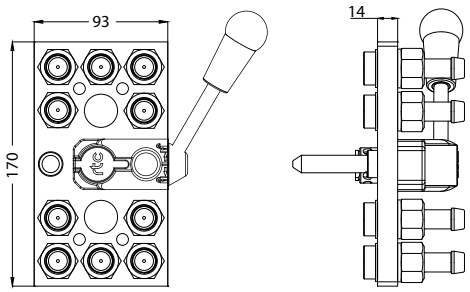


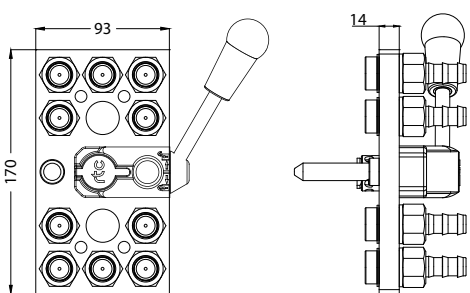


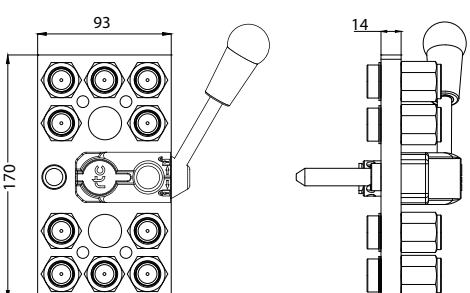


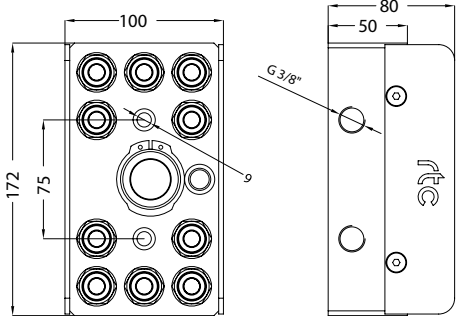

rtc TYPE M 152.10

Flow diameter 10 mm / Nennweite 10 mm

TYPE M 152.10	Mobile side / Versorgerseite	Connection / Anschluss	Item code / Artikelnummer	
<p>3 ↔ 3</p> 	<p>Standard hose Schlauchanschluss</p> 	 <p>Ø10 Ø12</p>	<p>M 152.10-06 SHB 10 M 152.10-06 SHB 12</p>	
	<p>Push to connect Steckschlauchanschluss</p> 		 <p>Ø10 Ø13</p>	<p>M 152.10-06 SPB 10 M 152.10-06 SPB 13</p>
	<p>Female thread Innengewinde</p> 		 <p>BSP 3/8 NPT 3/8</p>	<p>M 152.10-06 SFB 17 M 152.10-06 SNB 17</p>
<p>3 ↔ 3</p> 	<p>Plate for 6 lines / Platte für 6 Anschlüsse</p> 	<p>Item code / Artikelnummer</p> <p>K 152.10-06</p>		

Flow diameter 10 mm / Nennweite 10 mm

TYPE M 152.10 **rtc**

TYPE M 152.10	Mobile side / Versorgerseite	Connection / Anschluss	Item code / Artikelnummer	
<p>5 ↔ 5</p> 	<p>Standard hose Schlauchanschluss</p> 	 <p>Ø10 Ø12</p>	<p>M 152.10-10 SHB 10 M 152.10-10 SHB 12</p>	
		<p>Push to connect Steckschlauchanschluss</p> 	 <p>Ø10 Ø13</p>	<p>M 152.10-10 SPB 10 M 152.10-10 SPB 13</p>
		<p>Female thread Innengewinde</p> 	 <p>BSP 3/8 NPT 3/8</p>	<p>M 152.10-10 SFB 17 M 152.10-10 SNB 17</p>
TYPE K 152.10	Mould side / Abnehmerseite	Item code / Artikelnummer		
<p>5 ↔ 5</p> 	<p>Plate with 10 plugs / Platte mit 10 Anschlüsse</p> 	<p>K 152.10-10 PMB 17</p>		

rtc TYPE M 152.10

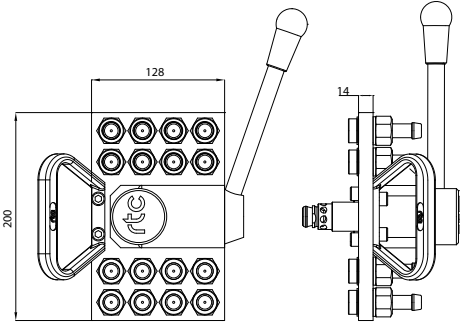






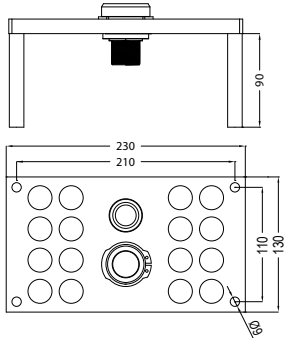

Flow diameter 10 mm / Nennweite 10 mm

TYPE M 152.10	Mobile side / Versorgerseite	Connection / Anschluss	Item code / Artikelnummer
<p>6 ↔ 6</p>	<p>Standard hose Schlauchanschluss</p>	<p>Ø10 Ø12</p>	<p>M 152.10-12 SHB 10 M 152.10-12 SHB 12</p>
	<p>Push to connect Steckschlauchanschluss</p>	<p>Ø10 Ø13</p>	<p>M 152.10-12 SPB 10 M 152.10-12 SPB 13</p>
	<p>Female thread Innengewinde</p>	<p>BSP 3/8 NPT 3/8</p>	<p>M 152.10-12 SFB 17 M 152.10-12 SNB 17</p>
	<p>Female thread collector Innengewinde Sammler</p>	<p>BSP 1 BSP 1</p>	<p>M 152.10-12 C 33 M 152.10-12 CN 33</p>

TYPE K 152.10	Mould side / Abnehmerseite	K 152.10-12	Plate for 12 lines / Platte für 12 Anschlüsse
<p>6 ↔ 6</p>		<p>Adapter Plate</p> <p><u>K 152.10-12</u></p> <p><u>K 152.10 BLK 12-ADP</u></p>	

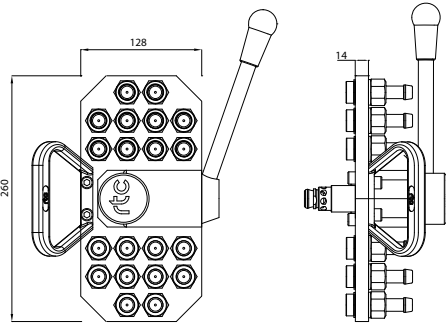

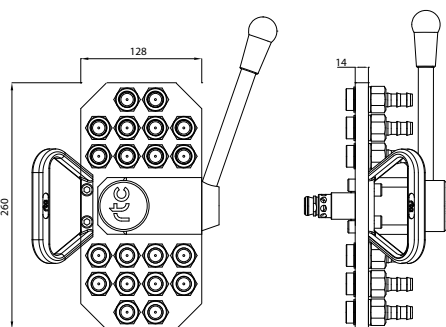

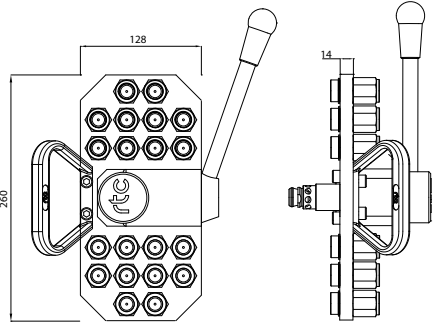

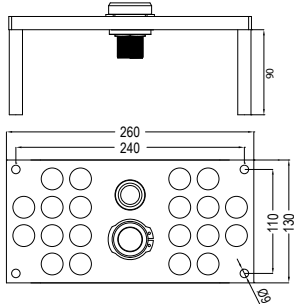

Flow diameter 10 mm / Nennweite 10 mm

TYPE M 152.10 **rtc**

TYPE M 152.10	Mobile side / Versorgerseite	Connection / Anschluss	Item code / Artikelnummer
<p>8 ↔ 8</p> 	<p>Standard hose Schlauchanschluss</p> 	 <p>Ø10 Ø12</p>	<p>M 152.10-16 SHB 10 M 152.10-16 SHB 12</p>
	<p>Push to connect Steckschlauchanschluss</p> 	 <p>Ø10 Ø13</p>	<p>M 152.10-16 SPB 10 M 152.10-16 SPB 13</p>
	<p>Female thread Innengewinde</p> 	 <p>BSP 3/8 NPT 3/8</p>	<p>M 152.10-16 SFB 17 M 152.10-16 SNB 17</p>
TYPE K 152.10	Mould side / Abnehmerseite	Item code / Artikelnummer	
<p>8 ↔ 8</p> 	<p>Plate for 16 lines / Platte für 16 Anschlüsse</p> 		<p>K 152.10-16</p>

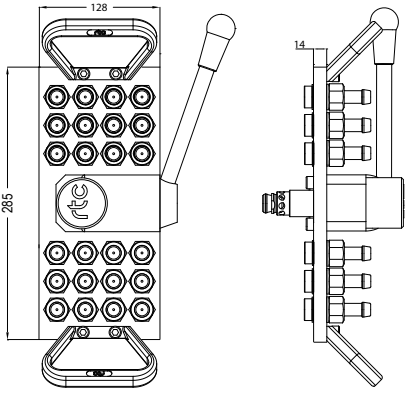






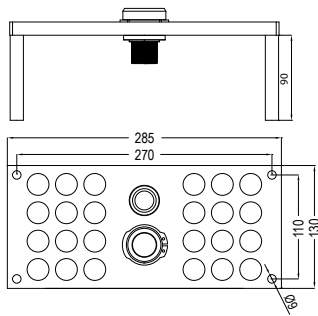

rtc TYPE M 152.10

Flow diameter 10 mm / Nennweite 10 mm

TYPE M 152.10	Mobile side / Versorgerseite	Connection / Anschluss	Item code / Artikelnummer	
<p>10 ↔ 10</p>		<p>Standard hose Schlauchanschluss</p>	 <p>Ø10 Ø12</p>	<p>M 152.10-20 SHB 10 M 152.10-20 SHB 12</p>
		<p>Push to connect Steckschlauchanschluss</p>	 <p>Ø10 Ø13</p>	<p>M 152.10-20 SPB 10 M 152.10-20 SPB 13</p>
		<p>Female thread Innengewinde</p>	 <p>BSP 3/8 NPT 3/8</p>	<p>M 152.10-20 SFB 17 M 152.10-20 SNB 17</p>
<p>10 ↔ 10</p>	<p>Mould side / Abnehmerseite</p> 	<p>Item code / Artikelnummer</p>	<p>K 152.10-20</p>	
		<p>Plate for 20 lines / Platte für 20 Anschlüsse</p>		

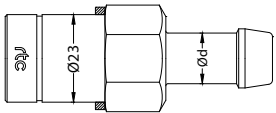

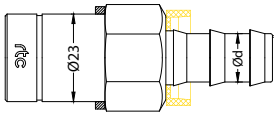

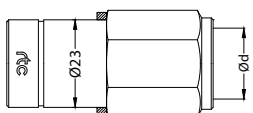

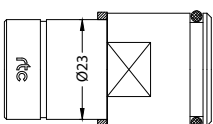

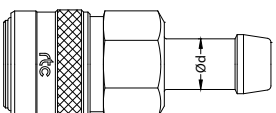

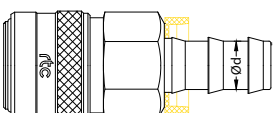

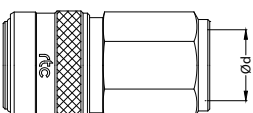

Flow diameter 10 mm / Nennweite 10 mm

TYPE M 152.10 **rtc**

TYPE M 152.10	Mobile side / Versorgerseite	Connection / Anschluss	Item code / Artikelnummer
<p>12 ↔ 12</p> 	<p>Standard hose Schlauchanschluss</p>	 <p>Ø10 Ø12</p>	<p>M 152.10-24 SHB 10 M 152.10-24 SHB 12</p> 
	<p>Push to connect Steckschlauchanschluss</p>	 <p>Ø10 Ø13</p>	<p>M 152.10-24 SPB 10 M 152.10-24 SPB 13</p> 
	<p>Female thread Innengewinde</p>	 <p>BSP 3/8 NPT 3/8</p>	<p>M 152.10-24 SFB 17 M 152.10-24 SNB 17</p> 
TYPE K 152.10	Mould side / Abnehmerseite	Item code / Artikelnummer	
<p>12 ↔ 12</p> 	<p>Plate for 24 lines / Platte für 24 Anschlüsse</p> 		<p>K 152.10-24</p>

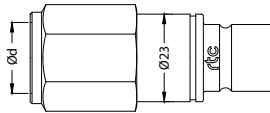



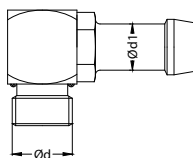
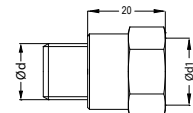
rtc TYPE M 152.10

Flow diameter 10 mm / Nennweite 10 mm

TYPE M 152.10	Sockets / Kupplungen	Connection / Anschluss	Item code / Artikelnummer	
	Standard hose Schlauchanschluss	 Ø10 Ø12	M 152.10 SHB 10 M 152.10 SHB 12	
		Push to connect Steckschlauchanschluss	 Ø10 Ø13	M 152.10 SPB 10 M 152.10 SPB 13
		Female thread Innengewinde	 BSP 3/8 NPT 3/8	M 152.10 SFB 17 M 152.10 SNB 17
		For Collector Für Sammler		M 152.10 SAB 00
TYPE M 152.10	Sockets / Kupplungen (mono)	Connection / Anschluss	Item code / Artikelnummer	
	Standard hose Schlauchanschluss	 Ø10 Ø12	152.10 SHB 10 152.10 SHB 12	
		Push to connect Steckschlauchanschluss	 Ø10 Ø13	152.10 SPB 10 152.10 SPB 13
		Female thread Innengewinde	 BSP 3/8 NPT 3/8	152.10 SFB 17 152.10 SNB 17

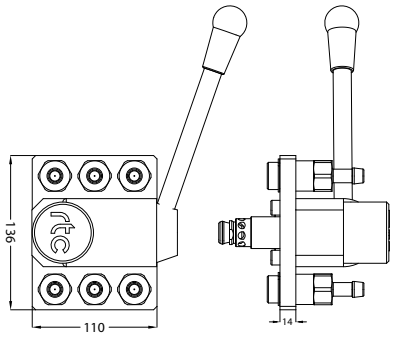

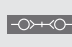
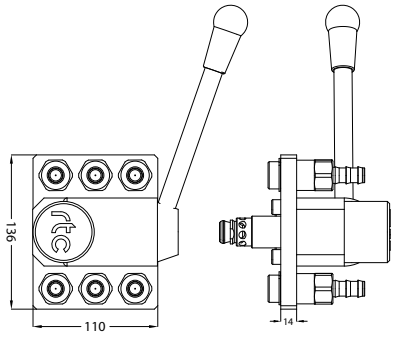


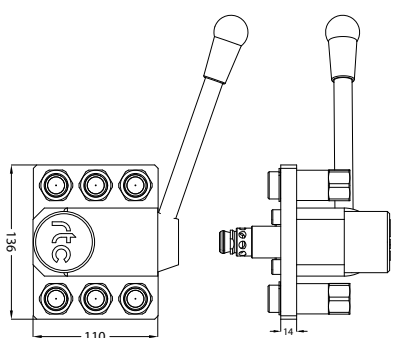


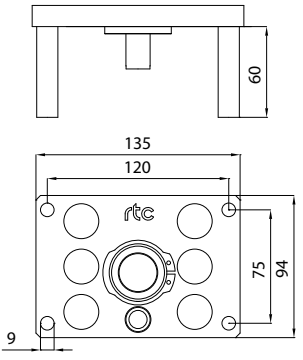

Flow diameter 10 mm / Nennweite 10 mm

TYPE M 152.10 **rtc**

TYPE M 152.10	Plugs / Nippel		Connection / Anschluss	Item code / Artikelnummer
	Female thread Innengewinde		BSP 3/8 NPT 3/8	M 152.10 PFB 17 M 152.10 PNB 17
	Male thread Aussengewinde		BSP 1/2	M 152.10 PMB 21
	For collector Für Sammler		M 20X1,5	M 152.10 PMB 2015
TYPE M 152.10	Adapters elbow / Adapter Winkel		Connection / Anschluss	Item code / Artikelnummer
	Standard hose Schlauchanschluss		BSP 3/8 → Ø10 Ø12	EBH 17/10-90 EBH 17/12-90
	Push to connect Steckschlauchanschluss		BSP 3/8 → Ø10 Ø13	EBP 17/10-90 EBP 17/13-90
		<p>TE 17-20 BSP 3/8" Male (Ød) - BSP 3/8" Female (Ød1) Extension BSP 3/8" Aussengewinde (Ød) - BSP 3/8" Innengewinde (Ød1) Verlängerung</p> <p>TE 17-17N-20 BSP 3/8" Male (Ød) - NPT 3/8" Female (Ød1) Extension BSP 3/8" Aussengewinde (Ød) - NPT 3/8" Innengewinde (Ød1) Verlängerung</p> <p>TE 17T-17N-20 NPT 3/8" Male (Ød) - NPT 3/8" Female (Ød1) Extension NPT 3/8" Aussengewinde (Ød) - NPT 3/8" Innengewinde (Ød1) Verlängerung</p>		

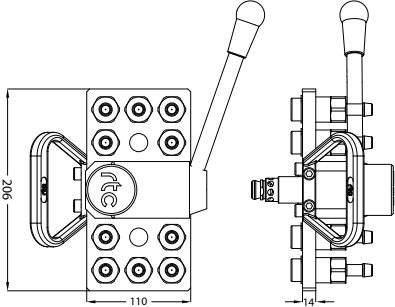


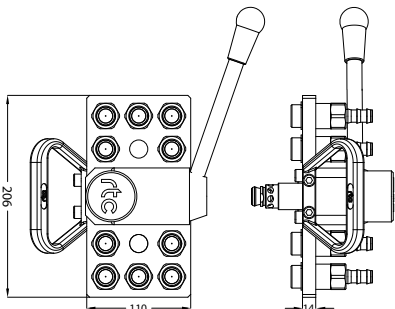


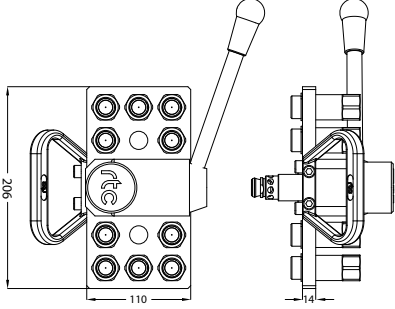


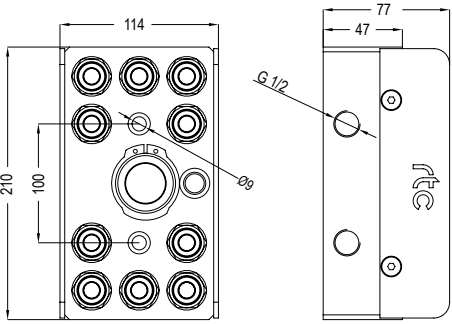

rtc TYPE M 152.12

Flow diameter 12 mm / Nennweite 12 mm

TYPE M 152.12	Mobile side / Versorgerseite	Connection / Anschluss	Item code / Artikelnummer	
<p>3 ↔ 3</p> 	<p>Standard hose Schlauchanschluss</p> 	 <p>Ø12 Ø16</p>	<p>M 152.12-06 SHB 12 M 152.12-06 SHB 16</p>	
	<p>Push to connect Steckschlauchanschluss</p> 		 <p>Ø13 Ø16</p>	<p>M 152.12-06 SPB 13 M 152.12-06 SPB 16</p>
	<p>Female thread Innengewinde</p> 		 <p>BSP 1/2 NPT 1/2</p>	<p>M 152.12-06 SFB 21 M 152.12-06 SNB 21</p>
TYPE K 152.12	Mould side / Abnehmerseite	Item code / Artikelnummer		
<p>3 ↔ 3</p> 	<p>Plate for 6 lines / Platte für 6 Anschlüsse</p> 	<p>K 152.12-06</p>		

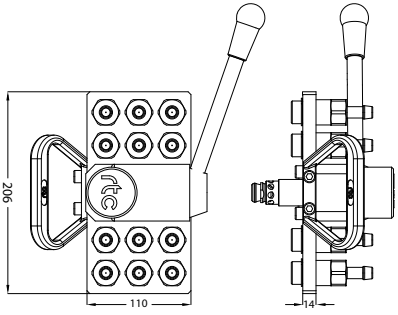






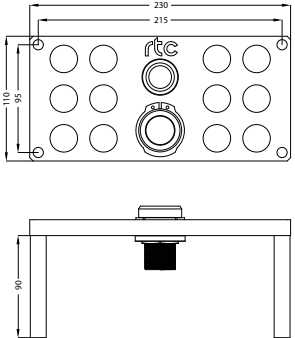

Flow diameter 12 mm / Nennweite 12 mm

TYPE M 152.12 **rtc**

TYPE M 152.12	Mobile side / Versorgerseite	Connection / Anschluss	Item code / Artikelnummer	
<p>5 ↔ 5</p>		<p>Standard hose Schlauchanschluss</p>  <p>Ø12 Ø16</p>		<p>M 152.12-10 SHB 12 M 152.12-10 SHB 16</p>
		<p>Push to connect Steckschlauchanschluss</p>  <p>Ø13 Ø16</p>		<p>M 152.12-10 SPB 13 M 152.12-10 SPB 16</p>
		<p>Female thread Innengewinde</p>  <p>BSP 1/2 NPT 1/2</p>		<p>M 152.12-10 SFB 21 M 152.12-10 SNB 21</p>
<p>5 ↔ 5</p>	<p>Mould side / Abnehmerseite</p> 	<p>Plate with 10 plugs / Platte mit 10 Anschlüsse</p>	<p>Item code / Artikelnummer K 152.12-10 PMB 21</p> 	

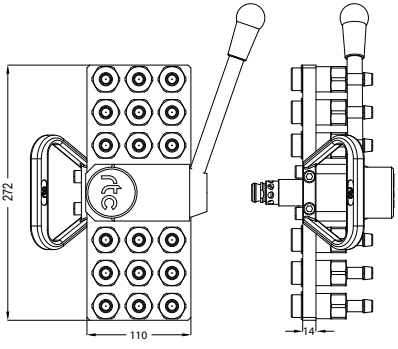


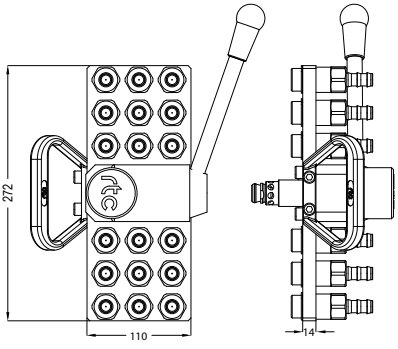


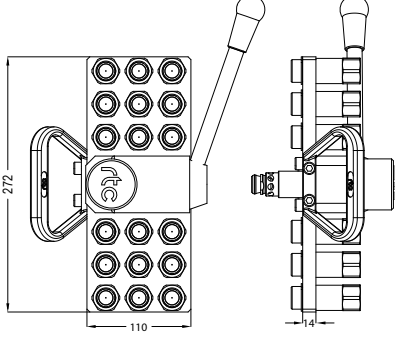


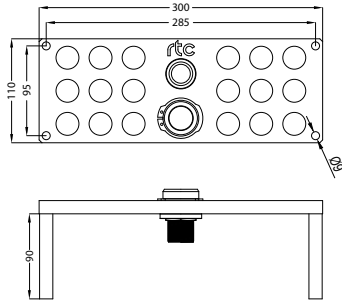

rtc TYPE M 152.12

Flow diameter 12 mm / Nennweite 12 mm

TYPE M 152.12	Mobile side / Versorgerseite	Connection / Anschluss	Item code / Artikelnummer
<p>6 ↔ 6</p> 	<p>Standard hose Schlauchanschluss</p> 	 <p>Ø12 Ø16</p>	<p>M 152.12-12 SHB 12 M 152.12-12 SHB 16</p>
	<p>Push to connect Steckschlauchanschluss</p> 	 <p>Ø13 Ø16</p>	<p>M 152.12-12 SPB 13 M 152.12-12 SPB 16</p>
	<p>Female thread Innengewinde</p> 	 <p>BSP 1/2 NPT 1/2</p>	<p>M 152.12-12 SFB 21 M 152.12-12 SNB 21</p>
TYPE K 152.12	Mould side / Abnehmerseite	Item code / Artikelnummer	
<p>6 ↔ 6</p> 	<p>Plate for 12 lines / Platte für 12 Anschlüsse</p> 	<p>K 152.12-12</p>	

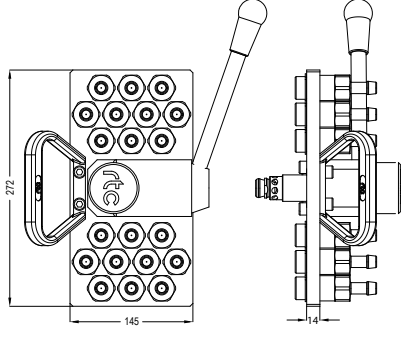
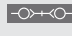
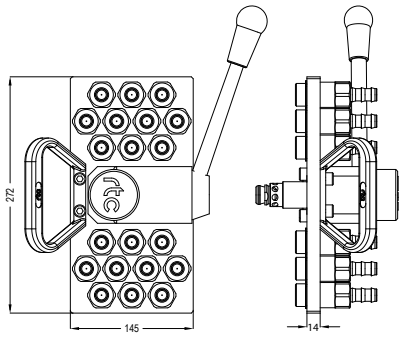

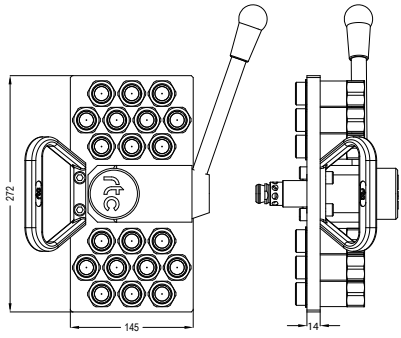

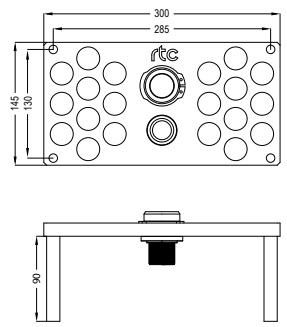

Flow diameter 12 mm / Nennweite 12 mm

TYPE M 152.12 **rtc**

TYPE M 152.12	Mobile side / Versorgerseite	Connection / Anschluss	Item code / Artikelnummer	
<p>9 ↔ 9</p> 	<p>Standard hose Schlauchanschluss</p> 	 <p>Ø12 Ø16</p>	<p>M 152.12-18 SHB 12 M 152.12-18 SHB 16</p>	
	<p>Push to connect Steckschlauchanschluss</p> 		 <p>Ø13 Ø16</p>	<p>M 152.12-18 SPB 13 M 152.12-18 SPB 16</p>
	<p>Female thread Innengewinde</p> 		 <p>BSP 1/2 NPT 1/2</p>	<p>M 152.12-18 SFB 21 M 152.12-18 SNB 21</p>
TYPE K 152.12	Mould side / Abnehmerseite	Item code / Artikelnummer		
<p>9 ↔ 9</p>		<p>Plate for 16 lines / Platte für 16 Anschlüsse</p>  <p>K 152.12-18</p>		

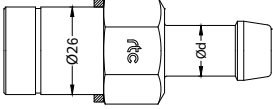
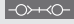
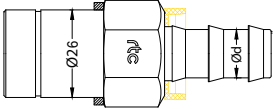
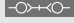
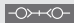
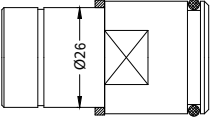

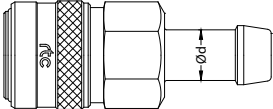

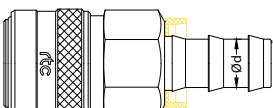

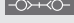
rtc TYPE M 152.12

Flow diameter 12 mm / Nennweite 12 mm

TYPE M 152.12	Mobile side / Versorgerseite	Connection / Anschluss	Item code / Artikelnummer	
<p>10 ↔ 10</p>		<p>Standard hose Schlauchanschluss</p>	 <p>Ø12 Ø16</p>	<p>M 152.12-20 SHB 12 M 152.12-20 SHB 16</p>
		<p>Push to connect Steckschlauchanschluss</p>	 <p>Ø13 Ø16</p>	<p>M 152.12-20 SPB 13 M 152.12-20 SPB 16</p>
		<p>Female thread Innengewinde</p>	 <p>BSP 1/2 NPT 1/2</p>	<p>M 152.12-20 SFB 21 M 152.12-20 SNB 21</p>
<p>10 ↔ 10</p>	<p>Plate for 20 lines / Platte für 20 Anschlüsse</p> 	<p>Item code / Artikelnummer</p> <p>K 152.12-20</p>		

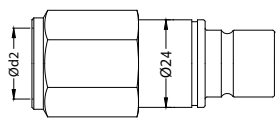



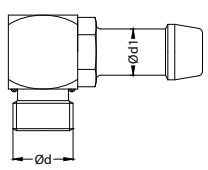
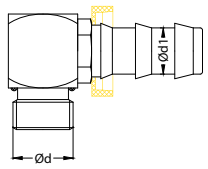
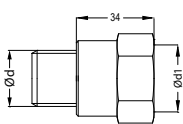
Flow diameter 12 mm / Nennweite 12 mm

TYPE M 152.12 **rtc**

TYPE M 152.12	Sockets / Kupplungen	Connection / Anschluss	Item code / Artikelnummer	
	Standard hose Schlauchanschluss	 Ø12 Ø16	M 152.12 SHB 12 M 152.12 SHB 16	
		Push to connect Steckschlauchanschluss	 Ø13 Ø16	M 152.12 SPB 13 M 152.12 SPB 16
		Female thread Innengewinde	 BSP 1/2 NPT 1/2	M 152.12 SFB 21 M 152.12 SNB 21
		For collector Für Sammler		M 152.12 SAB 00
TYPE K 152.12	Sockets / Kupplungen (mono)	Connection / Anschluss	Item code / Artikelnummer	
	Standard hose Schlauchanschluss	 Ø12 Ø16	152.12 SHB 12 152.12 SHB 16	
		Push to connect Steckschlauchanschluss	 Ø13 Ø16	152.12 SPB 13 152.12 SPB 16
		Female thread Innengewinde	 BSP 1/2 NPT 1/2	152.12 SFB 21 152.12 SNB 21

rtc TYPE M 152.12

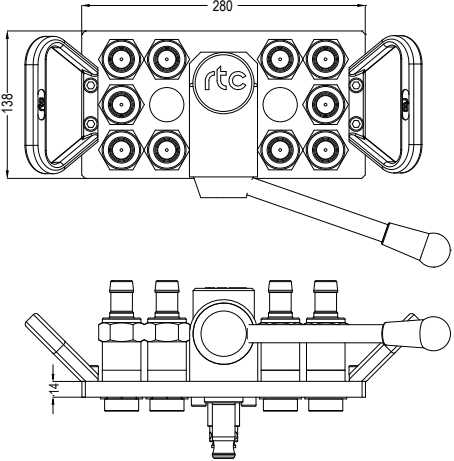









Flow diameter 12 mm / Nennweite 12 mm

TYPE M 152.12	Plugs / Nippel		Connection / Anschluss	Item code / Artikelnummer
	Female thread Innengewinde		BSP 1/2 NPT 1/2	M 152.12 PFB 21 M 152.12 PNB 21
	Male thread Aussengewinde		BSP 1/2	M 152.12 PMB 21
	For collector Für Sammler		BSP 3/4	M 152.12 PMB 26
<p>TYPE K 152.12</p> <p>Adapters elbow / Adapter Winkel</p>   	Standard hose Schlauchanschluss		BSP 1/2 → Ø12 Ø16	EBH 21/12-90 EBH 21/16-90
	Push to connect Steckschlauchanschluss		BSP 1/2 → Ø13 Ø16	EBP 21/13-90 EBP 21/16-90
	TE 21-34 BSP 1/2" Male (Ød) - BSP 1/2" Female (Ød1) Extension BSP 1/2" Aussengewinde (Ød) - BSP 1/2" Innengewinde (Ød1) Verlängerung			
	TE 21-21N-34 BSP 1/2" Male (Ød) - NPT 1/2" Female (Ød1) Extension BSP 1/2" Aussengewinde (Ød) - NPT 1/2" Innengewinde (Ød1) Verlängerung			
	TE 21T-21N-34 NPT 1/2" Male (Ød) - NPT 1/2" Female (Ød1) Extension NPT 1/2" Aussengewinde (Ød) - NPT 1/2" Innengewinde (Ød1) Verlängerung			

Flow diameter 16 mm / Nennweite 16 mm

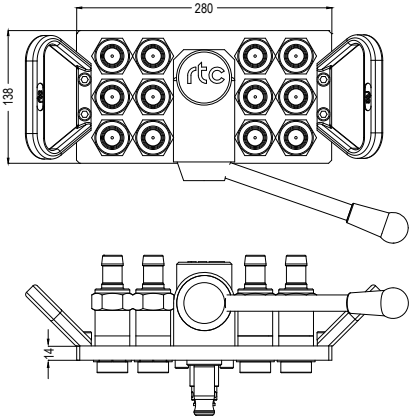


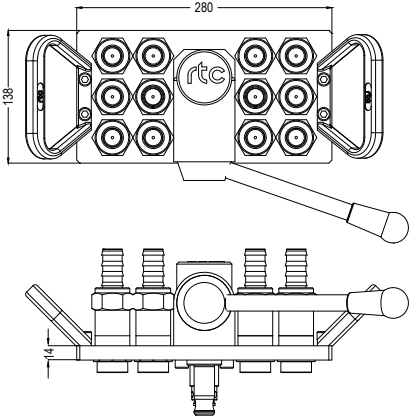


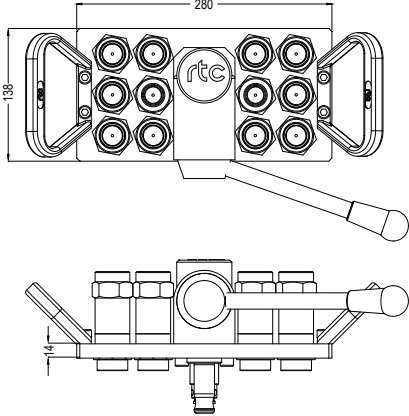


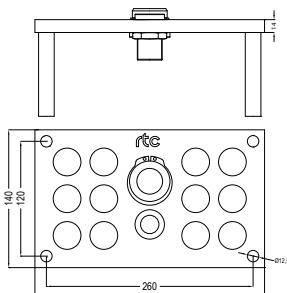

TYPE K 152.16



TYPE M 152.16	Mobile side / Versorgerseite		Item code / Artikelnummer
<p>5 ↔ 5</p> 	<p>Standard hose Schlauchanschluss</p>  <p>(Full flow) </p>		<p>Ø16 M 152.16-10 SHB 16 Ø19 M 152.16-10 SHB 19 Ø16 M 152.16-10 SHF 16 Ø19 M 152.16-10 SHF 19</p>
	<p>Push to connect Steckschlauchanschluss</p>  <p>(Full flow) </p>		<p>Ø16 M 152.16-10 SPB 16 Ø19 M 152.16-10 SPB 19 Ø16 M 152.16-10 SPF 16 Ø19 M 152.16-10 SPF 19</p>
	<p>Female thread Innengewinde</p>  <p>(Full flow) </p>		<p>BSP 3/4 M 152.16-10 SFB 26 NPT 3/4 M 152.16-10 SNB 26 BSP 3/4 M 152.16-10 SFF 26 NPT 3/4 M 152.16-10 SNF 26</p>

rtc TYPE M 152.16

Flow diameter 16 mm / Nennweite 16 mm

TYPE M 152.16	Mobile side / Versorgerseite	Item code / Artikelnummer		
<p>6 ↔ 6</p> 	<p>Standard hose Schlauchanschluss</p> 	<p>Ø16 Ø19</p>	<p>M 152.16-12 SHB 16 M 152.16-12 SHB 19</p> 	
		<p>Push to connect Steckschlauchanschluss</p> 	<p>Ø16 Ø19</p>	<p>M 152.16-12 SPB 16 M 152.16-12 SPB 19</p> 
		<p>Female thread Innengewinde</p> 	<p>BSP 3/4 NPT 3/4</p>	<p>M 152.16-12 SFB 26 M 152.16-12 SNB 26</p> 
<p>TYPE K 152.16</p>	<p>Mould side / Abnehmerseite</p> 	<p>Plate for 12 lines / Platte für 12 Anschlüsse</p>  <p>Item code / Artikelnummer K 152.16-12</p>		

Flow diameter 16 mm / Nennweite 16 mm

TYPE K 152.16

TYPE M 152.16	Sockets / Kupplungen	Connection / Anschluss	Item code / Artikelnummer
	Standard hose Schlauchanschluss	Ø16 Ø19	M 152.16 SHB 16 M 152.16 SHB 19
	Push to connect Steckschlauchanschluss	Ø16 Ø19	M 152.16 SPB 16 M 152.16 SPB 19
	Female thread Innengewinde	BSP 3/4 NPT 3/4	M 152.16 SFB 26 M 152.16 SNB 26
TYPE M 152.16	Plugs / Nippel		Item code / Artikelnummer
	Female thread Innengewinde	BSP 3/4 NPT 3/4	M 152.16 PFB 26 M 152.16 PNB 26
TYPE M 152.16	Adapters elbow / Adapter Winkel		Item code / Artikelnummer
	Elbow Winkelanschluss	BSP 3/4 - BSPT 3/4 NPT 3/4 - NPT 3/4	RFN 26/26-90 NTN 26/26-90
		<p>TE 26-39 BSP 3/4" Male (Ød) - BSP 3/4" Female (Ød1) Extention BSP 3/4" Aussengewinde (Ød) - BSP 3/4" Innengewinde (Ød1) Verlängerung</p> <p>TE 26-26N-39 BSP 3/4" Male (Ød) - NPT 3/4" Female (Ød1) Extention BSP 3/4" Aussengewinde (Ød) - NPT 3/4" Innengewinde (Ød1) Verlängerung</p> <p>TE 26T-26N-39 NPT 3/4" Male (Ød) - NPT 3/4" Female (Ød1) Extention NPT 3/4" Aussengewinde (Ød) - NPT 3/4" Innengewinde (Ød1) Verlängerung</p>	
TYPE M 152 PP		Ød	Item code / Artikelnummer
	M152.10 6 / 8 / 10 / 12	12	M 152.10-12 PP
	M152.10 16 / 20 / 24	20	M 104.08-6 PP
	M152.12 6 / 10 / 12 / 18 / 20	20	
	M152.16 10 / 12 / 18	20	



rtc[®]

COUPLING TECHNOLOGY



M153

rtc TYPE



rtc Multicoupling systems / rtc Multikupplungssysteme type M153



Type	Max. Working Pressure Max. Betriebsdruck	Flow size Nennweite	Connections Anschlüsse	Circuits Anschlüsse
rtc M153.09	16 bar	09	6 / 12 / 18 / 20	3 / 6 / 9 / 10
Temperature Range - Temperaturbereich For oil / bei Öl -10°C +200°C (+14°F +392°F) FPM (V) For water / bei Wasser -10°C +160°C (+14°F +320°F) FPM (V)				



Advantages

- Flat face multi coupling prevents pollution to enter into the circuit
- Flat face multi coupling prevents fluid spillage into the working place

Vorteile

- Flat Face Multikupplung verhindert die Verschmutzung im Kreislauf
- Flat Face Multikupplung verhindert das Austreten von Flüssigkeiten

Specification

Connecting and disconnecting the circuits in one operation for quick mold change

Colour coded plates for circuit definition

Eigenschaften

Verbinden und Trennen von mehreren Kreisläufen in einem Arbeitsgang für das schnelle Rüsten

Kennzeichnung von Zu- und Rücklauf durch farbige Platten

Applications

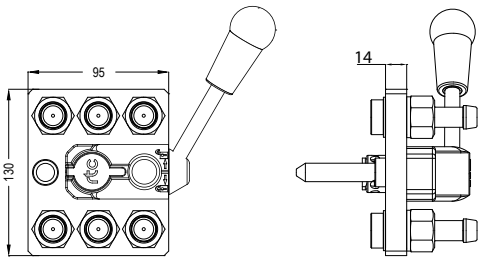


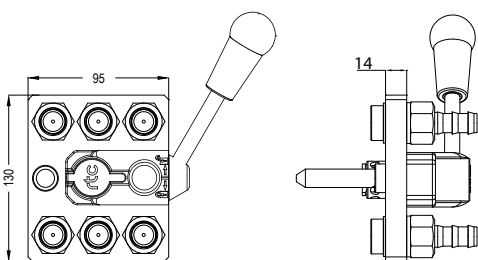


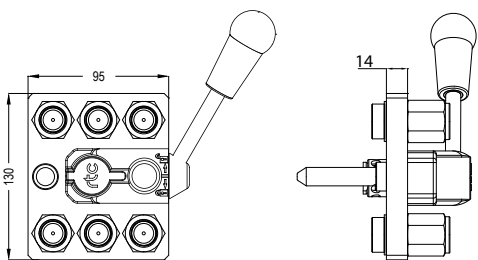


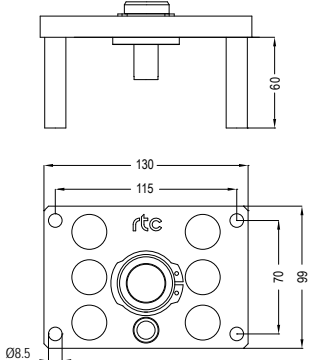

- Aluminium die casting
- Test units
- Plastics industry / cooling heating

Anwendungen

- Aluminiumdruckguß
- Prüfstände
- Kunststoffindustrie / Mehrkreistemperierung / Kühlen Temperieren

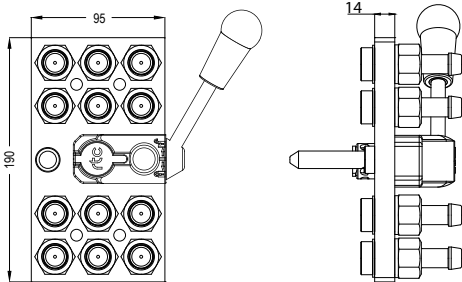






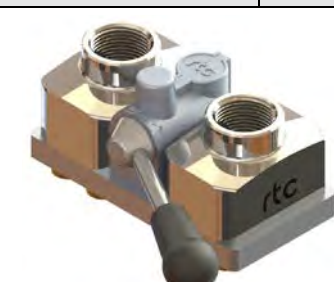
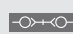
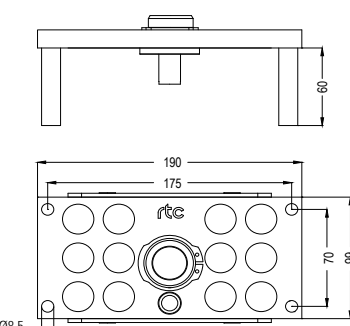

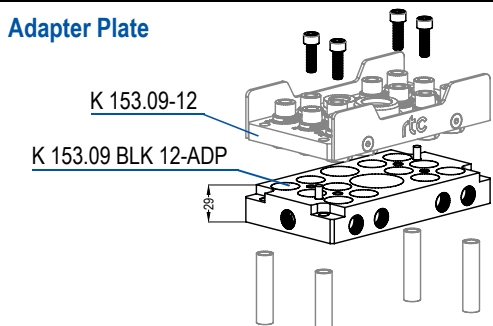
rtc TYPE M 153.09

Flow diameter 10 mm / Nennweite 10 mm

TYPE M 153.09	Mobile side / Versorgerseite	Connection / Anschluss	Item code / Artikelnummer	
<p>3 ↔ 3</p> 	<p>Standard hose Schlauchanschluss</p> 	 <p>Ø10 Ø12</p>	<p>M 153.09-06 SHB 10 M 153.09-06 SHB 12</p>	
	<p>Push to connect Steckschlauchanschluss</p> 		 <p>Ø10 Ø13</p>	<p>M 153.09-06 SPB 10 M 153.09-06 SPB 13</p>
	<p>Female thread Innengewinde</p> 		 <p>BSP 3/8 NPT 3/8</p>	<p>M 153.09-06 SFB 17 M 153.09-06 SNB 17</p>
<p>TYPE K 153.09</p> <p>3 ↔ 3</p> 	<p>Plate for 6 lines / Platte für 6 Anschlüsse</p> 	<p>Item code / Artikelnummer</p> <p>K 153.09-06</p>		

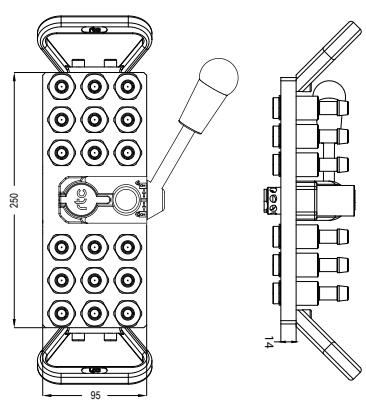

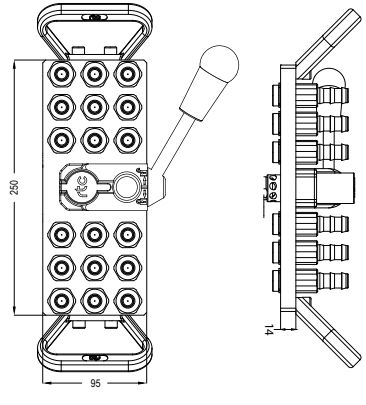

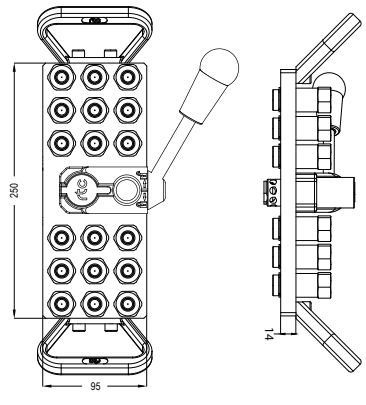

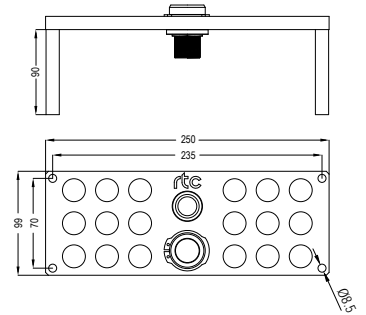

Flow diameter 10 mm / Nennweite 10 mm

TYPE M 153.09 **rtc**

TYPE M 153.09	Mobile side / Versorgerseite	Connection / Anschluss	Item code / Artikelnummer
<p>6 ↔ 6</p> 	<p>Standard hose Schlauchanschluss</p> 	 <p>Ø10 Ø12</p>	<p>M 153.09-12 SHB 10 M 153.09-12 SHB 12</p>
	<p>Push to connect Steckschlauchanschluss</p> 	 <p>Ø10 Ø13</p>	<p>M 153.09-12 SPB 10 M 153.09-12 SPB 13</p>
	<p>Female thread Innengewinde</p> 	 <p>BSP 3/8 NPT 3/8</p>	<p>M 153.09-12 SFB 17 M 153.09-12 SNB 17</p>
	<p>Female thread collector Innengewinde Sammler</p> 	 <p>BSP 1 BSP 1</p>	<p>M 153.09-12 C 33 M 153.09-12 CN 33</p>
<p>6 ↔ 6</p> 	<p>Mould side / Abnehmerseite</p> 	<p>Item code / Artikelnummer</p> <p>K 153.09-12</p>	<p>Plate for 12 lines / Platte für 12 Anschlüsse</p> <p>Adapter Plate</p>  <p>K 153.09-12 K 153.09 BLK 12-ADP</p>

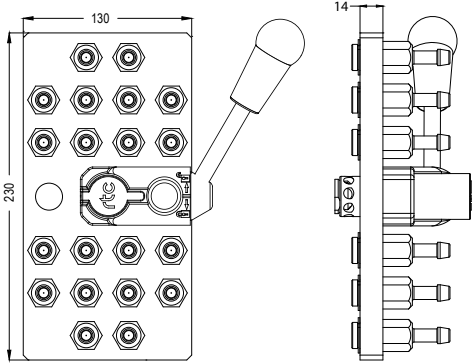


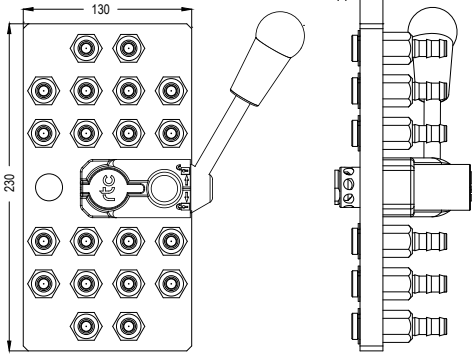


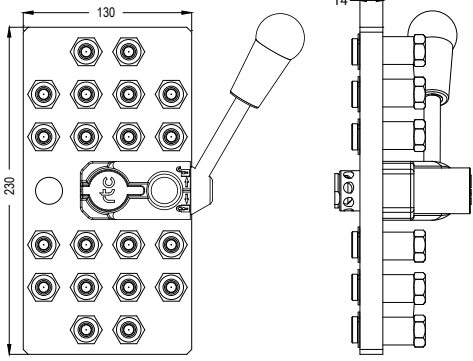


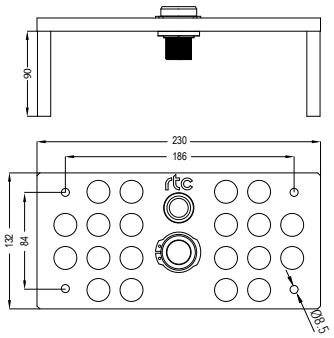

rtc TYPE M 153.09

Flow diameter 10 mm / Nennweite 10 mm

TYPE M 153.09	Mobile side / Versorgerseite	Item code / Artikelnummer			
<p>9 ↔ 9</p> 		<p>Standard hose Schlauchanschluss</p>	 <p>Ø10 Ø12</p>	<p>M 153.09-18 SHB 10 M 153.09-18 SHB 12</p>	
			<p>Push to connect Steckschlauchanschluss</p>	 <p>Ø10 Ø13</p>	<p>M 153.09-18 SPB 10 M 153.09-18 SPB 13</p>
			<p>Female thread Innengewinde</p>	 <p>BSP 3/8 NPT 3/8</p>	<p>M 153.09-18 SFB 17 M 153.09-18 SNB 17</p>
<p>TYPE K 153.09</p>	<p>Mould side / Abnehmerseite</p>	Item code / Artikelnummer			
<p>9 ↔ 9</p> 		<p>Plate for 18 lines / Platte für 18 Anschlüsse</p>	<p>K 153.09-18</p>		
					

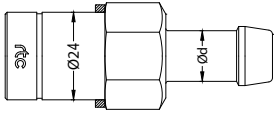

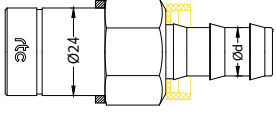

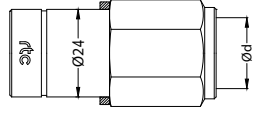

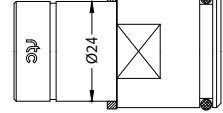

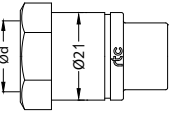

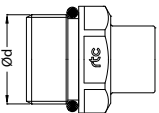

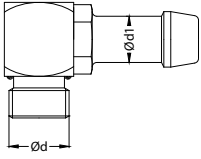
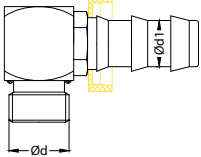
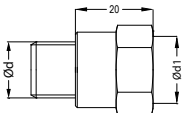
Flow diameter 10 mm / Nennweite 10 mm

TYPE M 153.09 **rtc**

TYPE M 153.09	Mobile side / Versorgerseite	Connection / Anschluss	Item code / Artikelnummer	
<p>10 ↔ 10</p> 	<p>Standard hose Schlauchanschluss</p> 	 <p>Ø10 Ø12</p>	<p>M 153.09-20 SHB 10 M 153.09-20 SHB 12</p>	
	<p>Push to connect Steckschlauchanschluss</p> 		 <p>Ø10 Ø13</p>	<p>M 153.09-20 SPB 10 M 153.09-20 SPB 13</p>
	<p>Female thread Innengewinde</p> 		 <p>BSP 3/8 NPT 3/8</p>	<p>M 153.09-20 SFB 17 M 153.09-20 SNB 17</p>
<p>10 ↔ 10</p> 	<p>Plate for 20 lines / Platte für 20 Anschlüsse</p> 	<p>Item code / Artikelnummer</p> <p>K 153.09-20</p>		

rtc TYPE M 153.09

Flow diameter 10 mm / Nennweite 10 mm

TYPE M 153.09	Sockets / Kupplungen	Connection / Anschluss	Item code / Artikelnummer
		Standard hose Schlauchanschluss  Ø10 Ø12	M 153.09 SHB 10 M 153.09 SHB 12
		Push to connect Steckschlauchanschluss  Ø10 Ø13	M 153.09 SPB 10 M 153.09 SPB 13
		Female thread Innengewinde  BSP 3/8 NPT 3/8 BSPT 3/8	M 153.09 SFB 17 M 153.09 SNB 17 M 153.09 SQB 17
		For Collector Für Sammler 	M 153.09 SAB 00
TYPE M 153.09	Plug / Nippel	Connection / Anschluss	Item code / Artikelnummer
		Female thread Innengewinde  BSP 3/8 NPT 3/8 BSPT 3/8	M 153.09 SFB 17 M 153.09 SNB 17 M 153.09 SQB 17
		Standard hose Schlauchanschluss  BSP 1/2	M 153.09 PMB 21
TYPE M 153.09	Adapters elbow / Adapter Winkel	Connection / Anschluss	Item code / Artikelnummer
		Standard hose Schlauchanschluss BSP 3/8 → Ø10 Ø12	EBH 17/10-90 EBH 17/12-90
		Push to connect Steckschlauchanschluss BSP 3/8 → Ø10 Ø13	EBP 17/10-90 EBP 17/13-90
		TE 17-20 BSP 3/8" Male (Ød) - BSP 3/8" Female (Ød1) Extention BSP 3/8" Aussengewinde (Ød) - BSP 3/8" Innengewinde (Ød1) Verlängerung TE 17-17N-20 BSP 3/8" Male (Ød) - NPT 3/8" Female (Ød1) Extention BSP 3/8" Aussengewinde (Ød) - NPT 3/8" Innengewinde (Ød1) Verlängerung TE 17T-17N-20 NPT 3/8" Male (Ød) - NPT 3/8" Female (Ød1) Extention NPT 3/8" Aussengewinde (Ød) - NPT 3/8" Innengewinde (Ød1) Verlängerung	



rtc[®]

COUPLING TECHNOLOGY



COLLECTORS

117-118-119

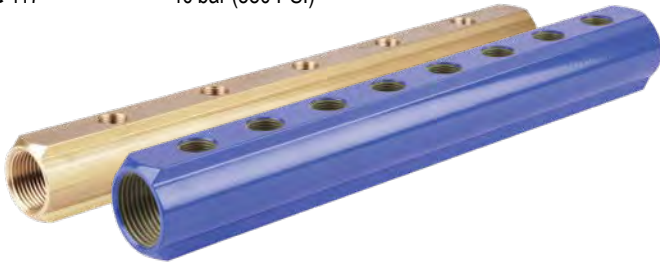
rtc TYPE



rtc 117 BRASS COLLECTORS - MESSING VERTEILER

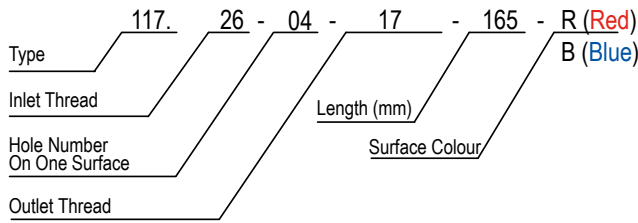
Temperature Range - Temperaturbereich
-50°C +300°C (-58°F +572°F)

Max. Working Pressure - Max. Betriebsdruck
rtc 117 40 bar (580 PSI)



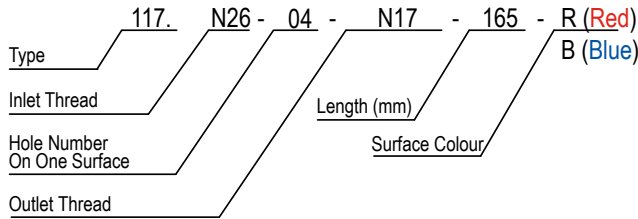
rtc Example Coding - Beispielcodierung

117 BSP Thread (Standart Brass Collectors)



117 NPT Thread (Brass Collectors)

ONLY Available for 3/4" - NUR für 3/4 verfügbar



Thread Size Explanations

- BSP=G
- NPT=N
- (1/4" = 13)
- (3/8" = 17)
- (1/2" = 21)
- (3/4" = 26)
- (1" = 33)
- (1-1/4" = 42)



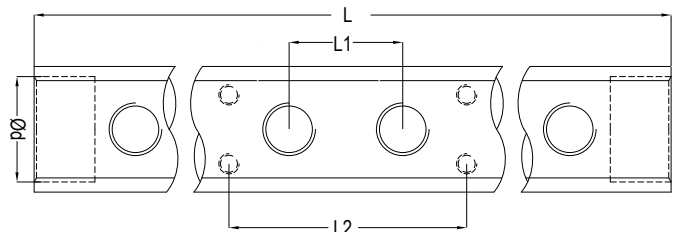
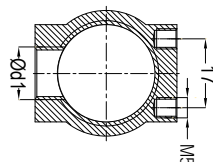
Collector Carrier

Order No:

117 CC 70 - (For 117.26 & 117.33)

117 CC 90 - (For 117.26 & 117.33)

117 CC 150 - (For 117.42)



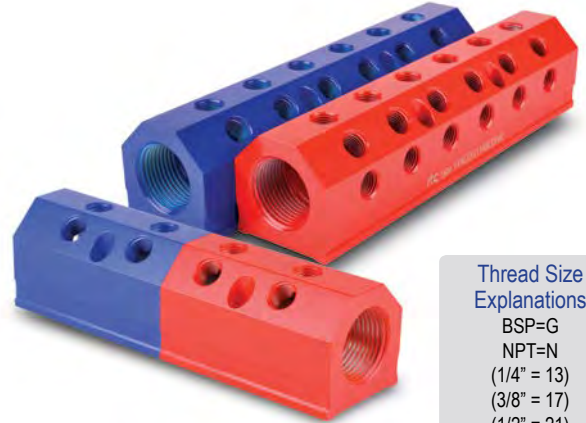
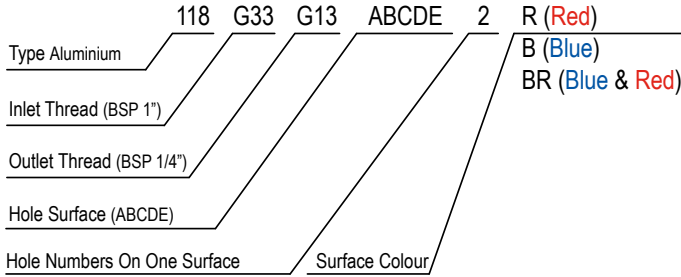
Ød Inlet	Order No / Bestellnr.	Ød1 Outlet	L	L1	L2				
3/4	117.26-04-13-150	1/4	150	30	70				
	117.26-05-13-180								
	117.26-06-13-210								
	117.26-07-13-240								
	117.26-08-13-270								
	117.26-09-13-300								
	117.26-10-13-330								
	117.26-11-13-360								
	117.26-12-13-390								
	117.26-04-17-165								
	117.26-05-17-200								
	117.26-06-17-235								
	117.26-07-17-270								
	117.26-08-17-305								
117.26-09-17-340									
117.26-10-17-375									
117.26-11-17-410									
117.26-12-17-445									
1	117.33-04-13-165	1/4	165	35	70				
	117.33-05-13-200								
	117.33-06-13-235								
	117.33-07-13-270								
	117.33-08-13-305								
	117.33-09-13-340								
	117.33-10-13-375								
	117.33-11-13-410								
	117.33-12-13-445								
	117.33-04-17-165								
	117.33-05-17-200								
	117.33-06-17-235								
	117.33-07-17-270								
	117.33-08-17-305								
117.33-09-17-340									
117.33-10-17-375									
117.33-11-17-410									
117.33-12-17-445									
1	117.33-04-21-210	3/8	165	35	70				
	117.33-05-21-260								
	117.33-06-21-310								
	117.33-07-21-360								
	117.33-08-21-410								
	117.33-09-21-460								
	117.33-10-21-510								
	117.33-11-21-560								
	117.33-12-21-610								
	117.33-16-21-810								
	117.33-20-21-1010								
	1-1/4		117.42-04-17-196			1/2	196	40	150
			117.42-05-17-236						
			117.42-06-17-276						
117.42-08-17-356									
117.42-10-17-436									
117.42-12-17-516									
117.42-16-17-676									
117.42-04-21-226									
117.42-05-21-276									
117.42-06-21-326									
117.42-07-21-376									
117.42-08-21-426									
117.42-10-21-526									
117.42-12-21-626									

Temperature Range - Temperaturbereich

-50°C +400°C (- 58°F +752°F)

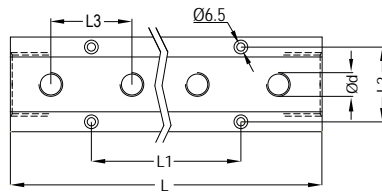
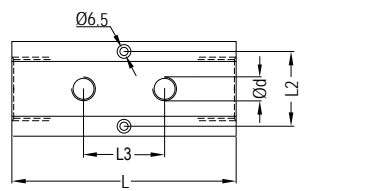
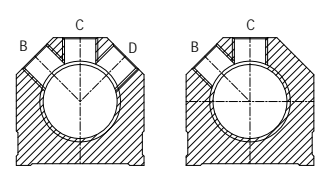
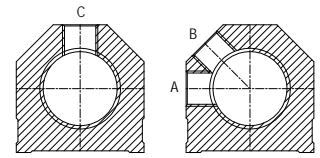
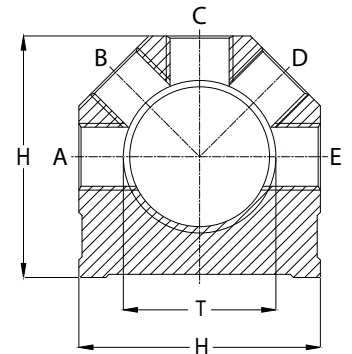
Max. Working Pressure - Max. Betriebsdruck

rtc 118 40 bar (580 PSI)

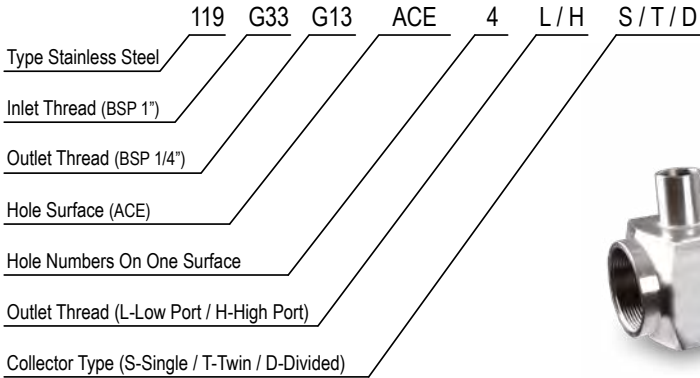


Thread Size Explanations
 BSP=G
 NPT=N
 (1/4" = 13)
 (3/8" = 17)
 (1/2" = 21)
 (3/4" = 26)
 (1" = 33)
 (1-1/4" = 42)
 (1-1/2" = 48)
 (2" = 60)

T Inlet Thread	Ød Outlet Thread	Number of Holes on one Surface	L				L1				L2	L3	H		
			A	C	AC	BD	ACE	ABC	BCD	ABCDE				A	C
3/4	1/4	2	74				0				35	31	44.5		
		4	132				62								
		6	194				124								
		8	256				186								
	3/8	2	90	110		0	0	35	40	44.5					
		4	165	190	200	80	100								
		6	245	270	290	160	180								
		8	325	350		240	260								
1	1/4	2	103				0				38	40	51		
		4	183				80								
		6	263				160								
		8	343				240								
	3/8	2	103	123		0	0	38	40	51					
		4	183	210	210	80	100								
		6	263	290	290	160	180								
		8	343	370	370	240	260								
1-1/4	1/4 - 3/8 - 1/2	2	152				0				50	51	66		
		4	254				101.6								
		6	355				203.2								
		8	457				304.8								
1-1/2	1/4 - 3/8 - 1/2	2	152				0				57	51	76		
		4	254				101.6								
		6	355				203.2								
		8	457				304.8								
	3/4	2	164.5	164.5		0	0	57	63.5	76					
		4	270	354.5	354.5	101.6	191								
		6	417.5	481.5	481.5	254	318								
		8	554.5	608.5	608.5	381	445								
2	3/8 - 1/2 - 3/4	2	178				0				72.5	63.5	89		
		4	305				127								
		6	432				254								
		8	559				381								



rtc 119 STAINLESS STEEL COLLECTORS



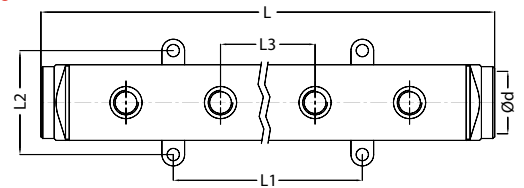
Code Examples

119G33G13ACE4LS - Single Profile Low Port
 119G33G13ACE4HS - Single Profile High Port
 119G33G13AC4LT - Twin Profile Low Port
 119G33G13AC4HT - Twin Profile High Port
 119G33G13ACE4LD - Divided Profile Low Port
 119G33G13ACE4HD - Divided Profile High Port

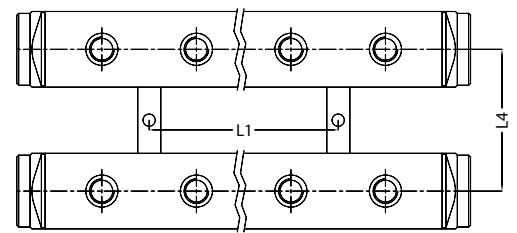
Thread Size

BSP=G
 NPT=N
 (1/4" = 13)
 (3/8" = 17)
 (1/2" = 21)
 (3/4" = 26)
 (1" = 33)

Single Profile



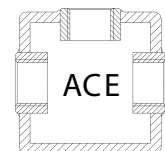
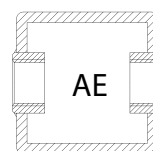
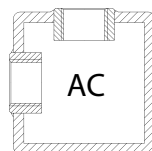
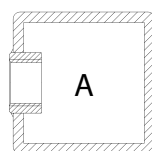
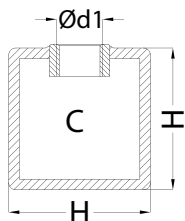
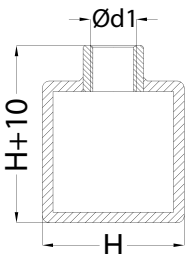
Twin Profile

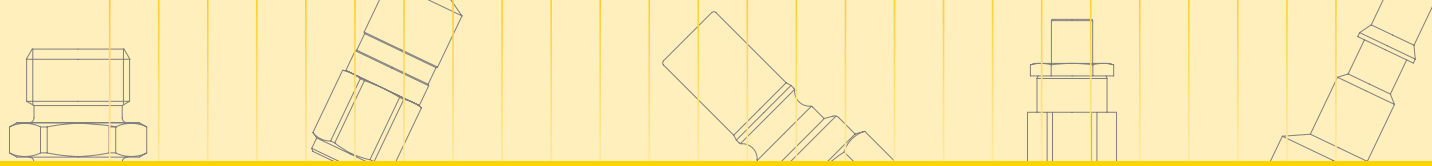


T Inlet Thread	Ød Outlet Thread	Number of Holes on one Surface	L	L1	L2	L3	L4	H
1	1/4 - 3/8	2	140	0	55	50	75	40
		4	240	100				
		6	340	200				
		8	440	300				
1-1/4	1/4 - 3/8 - 1/2	2	140	0	65	50	90	50
		4	240	100				
		6	340	200				
		8	440	300				
1-1/2	1/4 - 3/8 - 1/2	2	140	0	65	50	100	50
		4	240	100				
		6	340	200				
		8	440	300				

High Port

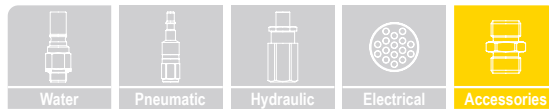
Low Port





rtc[®]

COUPLING TECHNOLOGY



ACCESSORIES



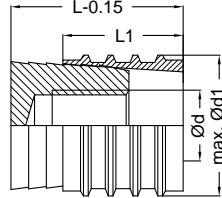
rtc TYPE BC

Threadless Pressure Plug - Verschlussstopfen ohne Gewinde

Interchangeability - Austauschbar mit HASCO Z 942

1 - Material: Brass - Messing

2 - Material: Stainless Steel - Edelstahl



Order No / Bestellnr.	Ød	Ød1	L	L1	Package Pcs. Verpackungseinheit
BC - 06	M3	6	11.5	8	25
BC - 07	M3	7	11.5	8	25
BC - 08	M4	8	11.5	8	25
BC - 10	M6	10	14	10	25
BC - 12	M6	12	14	10	15
BC - 14	M8	14	17	12	15
BC - 15	M8	15	17	12	15
BC - 16	M8	16	17	12	15
BC - 20	M8	20	17	12	15

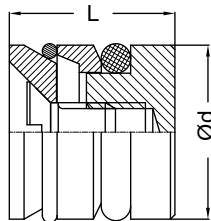
rtc TYPE BCO

Threadless Pressure Plug with o-ring - Verschlussstopfen ohne Gewinde mit o-ring

Interchangeability - Austauschbar mit EOC KN / 105

Material: Brass - Messing

O-Ring: Viton (Max. Temp: 180 °C)



Order No / Bestellnr.	Ød	L	Package Pcs. Verpackungseinheit
BCO - 06	6	10	10
BCO - 07	7	10	10
BCO - 08	8	10	10
BCO - 8.5	8.5	10	10
BCO - 10	10	10	10
BCO - 10.5	10.5	10	10
BCO - 11	11	10	10
BCO - 11.5	11.5	10	10
BCO - 12	12	10	10
BCO - 14	14	10	10
BCO - 15	15	12	10
BCO - 16	16	12	10
BCO - 20	20	12	10
BCO - 23	23	12	10
BCO - 24	24	21.5	10
BCO - 25	25	21.5	10
BCO - 30	30	21.5	10

rtc TYPE NOP

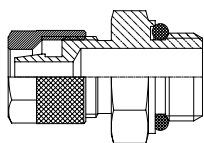
Male threaded plastic hose nut / Aussengewinde Kunststoffschlauchmutter



Adapter / Nippel

Material: Brass - Messing

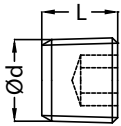
Plate: Nickel



Connection / Anschluss	Order No / Bestellnr.	HEX.
BSP 1/8 4x6 mm	NOP 10/06	14
BSP 1/8 6x8 mm	NOP 10/08	14
BSP 1/8 8x10 mm	NOP 10/10	14
BSP 1/4 4x6 mm	NOP 13/06	16
BSP 1/4 6x8 mm	NOP 13/08	16
BSP 1/4 8x10 mm	NOP 13/10	16
BSP 1/4 9x12 mm	NOP 13/12	16
BSP 3/8 4x6 mm	NOP 17/06	21
BSP 3/8 6x8 mm	NOP 17/08	21
BSP 3/8 8x10 mm	NOP 17/10	21
BSP 3/8 9x12 mm	NOP 17/12	21
BSP 1/2 6x8 mm	NOP 21/08	24
BSP 1/2 8x10 mm	NOP 21/10	24
BSP 1/2 9x12 mm	NOP 21/12	24

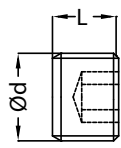
Pressure plug with conical thread DIN 906 / Verschlussstopfen mit konischem Gewinde DIN 906

TYPE **PPR - PPK** **rtc**

Pressure Plug / Verschlussstopfen	Order No / Bestellnr.	Ød	L	HEX.
Material: Brass - Messing 	PPR 10	BSPT 1/8	8	5
	PPR 13	BSPT 1/4	10	7
	PPR 17	BSPT 3/8	10	8
	PPR 21	BSPT 1/2	10	10
	PPK 0875	M8x075	8	4
	PPK 1010	M10x1	8	5
	PPK 1215	M12x1.5	8	6
	PPK 1415	M14x1.5	10	7

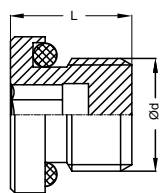
Pressure plug with parallel thread DIN 906 / Verschlussstopfen zylindrischem Gewinde DIN 906

TYPE **PPG - PPM** **rtc**

Pressure Plug / Verschlussstopfen	Order No / Bestellnr.	Ød	L	HEX.
Material: Brass - Messing 	PPG 10	BSP 1/8	8	5
	PPG 13	BSP 1/4	10	7
	PPG 17	BSP 3/8	10	8
	PPG 21	BSP 1/2	10	10
	PPM 0875	M8x075	8	4
	PPM 1010	M10x1	8	5
	PPM 1215	M12x1.5	8	6
	PPM 1415	M14x1.5	10	7

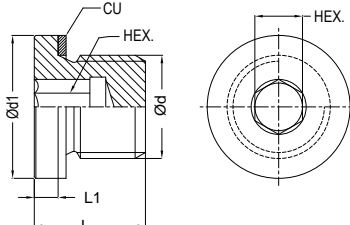
Pressure plug with O-ring DIN 908 / Verschlussstopfen mit O-ring DIN 908

TYPE **PPO** **rtc**

Pressure Plug / Verschlussstopfen	Order No / Bestellnr.	Ød	L	INNER HEX.
Material: Brass - Messing 	PPO 10	BSP 1/8	9	5
	PPO 13	BSP 1/4	14	6
	PPO 17	BSP 3/8	16	8
	PPO 21	BSP 1/2	18	10
	PPO 26	BSP 3/4	20	12
	PPO 33	BSP 1	22	14
	PPO 42	BSP 1-1/4	24	16
	PPO 48	BSP 1-1/2	26	18
	PPO 60	BSP 2	28	20

Pressure plugs with copper washer - Verschlussstopfen mit Kupferscheibe

TYPE **PPD** **rtc**

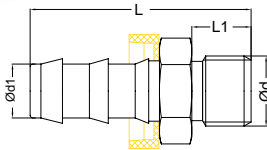
	Order No / Bestellnr.	Ød	Ød1	L	L1	HEX.
Material: Brass - Messing (DIN 908)  	PPD 10	BSP 1/8	14	11	3	5
	PPD 13	BSP 1/4	18	15	3	6
	PPD 17	BSP 3/8	22	15	3	8
	PPD 21	BSP 1/2	24	18	4	10
	PPD 26	BSP 3/4	32	20	5	12
	PPD 33	BSP 1	39	21	5	17
	PPD 1010	M10x1	14	11	3	5
	PPD 1215	M12x1.5	17	15	3	6
	PPD 1415	M14x1.5	19	15	3	6
	PPD 1615	M16x1.5	21	15	3	8
	PPD 2215	M22x1.5	27	18	4	10
	PPD 2415	M24x1.5	30	18	4	12

rtc TYPE MHN HT1

Male thread Push to connect hose connect / Aussengewinde Schnellsteck Schlauchtülle

Adapter / Nippel

Material: Brass - Messing
Plating: Nickel



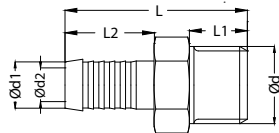
Order No / Bestellnr.	Ød	Ød1	L	L1	HEX.
MHN 10-06 HT1	BSP 1/8	6	39	7	14
MHN 10-10 HT1	BSP 1/8	10	39	7	14
MHN 13-06 HT1	BSP 1/4	6	39	9	17
MHN 13-10 HT1	BSP 1/4	10	39	9	17
MHN 13-13 HT1	BSP 1/4	13	39	9	17
MHN 17-10 HT1	BSP 3/8	10	39	9	19
MHN 17-13 HT1	BSP 3/8	13	43	9	19
MHN 21-10 HT1	BSP 1/2	10	43	10	22
MHN 21-13 HT1	BSP 1/2	13	43	10	22
MHN 21-16 HT1	BSP 1/2	16	58	10	22
MHN 26-16 HT1	BSP 3/4	16	62	16	27
MHN 26-19 HT1	BSP 3/4	19	62	16	27
MHN 33-19 HT1	BSP 1	19	69	19	35
MHN 33-25 HT1	BSP 1	25	69	20	35
MHN 1010-10 HT1	M10x1	10	39	7	11
MHN 1415-13 HT1	M14x1.5	13	39	9	15

rtc TYPE MHN HT2

Male thread hose connect / Aussengewinde Schlauchtülle

Adapter / Nippel

Material: Brass - Messing
Plating: Nickel



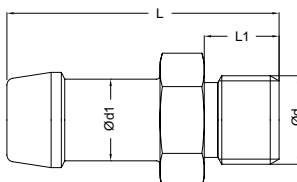
Order No / Bestellnr.	Ød	Ød1	Ød2	L	L1	L2	HEX.
MHN 10-09 HT2	BSP 1/8	9	6	33.5	7	22.5	11
MHN 13-09 HT2	BSP 1/4	9	6	37.5	9	25	15
MHN 13-13 HT2	BSP 1/4	13	8	40	9	22.5	15
MHN 17-09 HT2	BSP 3/8	9	6	37.5	9	25	17
MHN 17-13 HT2	BSP 3/8	13	9	40	9	25	17
MHN 21-19 HT2	BSP 1/2	19	13	50	12	35	22
MHN 26-19 HT2	BSP 3/4	19	13	56	16	35	27
MHN 1010-09 HT2	M10x1	9	6	33.5	9	22.5	11
MHN 1215-13 HT2	M12x1.5	13	7	40	9	25	15
MHN 1415-13 HT2	M14x1.5	13	9	40	9	25	15
MHN 1615-13 HT2	M16x1.5	13	9	40	9	25	17
MHN 2415-19 HT2	M24x1.5	19	13	56	16	35	27

rtc TYPE MHN HT6

Male thread hose connect / Aussengewinde Schlauchtülle

Adapter / Nippel

Material: Brass - Messing
Plating: Nickel



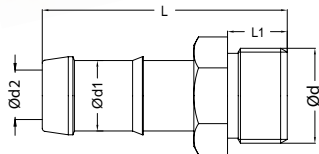
Order No / Bestellnr.	Ød	Ød1	L	L1	HEX.
MHN 10-04 HT6	BSP 1/8	4	38	8	14
MHN 10-06 HT6	BSP 1/8	6	38	8	14
MHN 10-08 HT6	BSP 1/8	8	43	8	14
MHN 10-10 HT6	BSP 1/8	10	43	8	14
MHN 13-06 HT6	BSP 1/4	6	41	11	17
MHN 13-08 HT6	BSP 1/4	8	46	11	17
MHN 13-09 HT6	BSP 1/4	9	46	11	17
MHN 13-10 HT6	BSP 1/4	10	46	11	17
MHN 13-13 HT6	BSP 1/4	13	51	11	17
MHN 17-08 HT6	BSP 3/8	8	47	12	19
MHN 17-10 HT6	BSP 3/8	10	47	12	19
MHN 17-13 HT6	BSP 3/8	13	52	12	19
MHN 17-16 HT6	BSP 3/8	16	52	12	18
MHN 21-13 HT6	BSP 1/2	13	54	14	23
MHN 21-16 HT6	BSP 1/2	16	54	14	23
MHN 26-16 HT6	BSP 3/4	16	58	16	23

Male thread hose connect / Aussengewinde Schlauchtülle

TYPE MHN HT8 **rtc**

Adapter / Nippel

Material: Steel - Stahl
Plating: Zinc



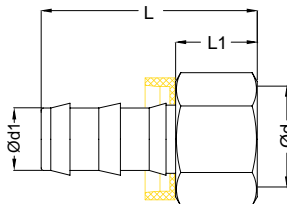
Order No / Bestellnr.	Ød	Ød1	Ød2	L	L1	HEX.
MHN 17-13 HT8	BSP 3/8	13	9	59	12	19
MHN 17-16 HT8	BSP 3/8	16	11	59	12	23
MHN 21-13 HT8	BSP 1/2	13	9	61	14	23
MHN 21-16 HT8	BSP 1/2	16	11	61	14	23
MHN 21-19 HT8	BSP 1/3	19	11	61	14	23
MHN 26-19 HT8	BSP 3/4	19	15	65	16	29
MHN 26-25 HT8	BSP 3/4	25	19	80	16	35
MHN 33-19 HT8	BSP 1	19	15	84	20	35
MHN 33-25 HT8	BSP 1	25	19	84	20	35

Female thread Push to connect hose connect / Innengewinde Schnellsteck Schlauchtülle

TYPE FHN HT2 **rtc**

Adapter / Nippel

Material: Brass - Messing
Plating: Nickel



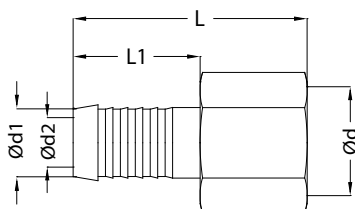
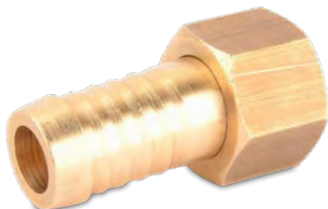
Order No / Bestellnr.	Ød	Ød1	L	L1	HEX.
FHN 10-06 HT1	BSP 1/8	6	30	12	14
FHN 10-10 HT1	BSP 1/8	10	30	12	14
FHN 13-06 HT1	BSP 1/4	6	32	16	17
FHN 13-10 HT1	BSP 1/4	10	36	16	17
FHN 13-13 HT1	BSP 1/4	13	40	16	17
FHN 17-10 HT1	BSP 3/8	10	37	16	20
FHN 17-13 HT1	BSP 3/8	13	41	16	20
FHN 21-10 HT1	BSP 1/2	10	41	17	24
FHN 21-13 HT1	BSP 1/2	13	45	17	24
FHN 21-16 HT1	BSP 1/2	16	45	17	24
FHN 26-16 HT1	BSP 3/4	16	47	19	30
FHN 26-19 HT1	BSP 3/4	19	57	19	30
FHN 1010-10 HT1	M10x1	10	36	12	14
FHN 1415-13 HT1	M14x1.5	13	40	16	17

Female thread hose connect / Innengewinde Schlauchtülle

TYPE FHN HT6 **rtc**

Adapter / Nippel

Material: Brass - Messing



Order No / Bestellnr.	Ød	Ød1	Ød2	L	L1	HEX.
FHN 10-06 HT2	BSP 1/8	6	4.5	26	17	12
FHN 10-08 HT2	BSP 1/8	8	6.5	32	17	12
FHN 13-06 HT2	BSP 1/4	6	4.5	29	17	17
FHN 13-08 HT2	BSP 1/4	8	6.5	34.5	17	17
FHN 13-10 HT2	BSP 1/4	10	8	34.5	22.5	17
FHN 13-13 HT2	BSP 1/4	13	10	37	25	17
FHN 17-08 HT2	BSP 3/8	8	6.5	35.5	17	19
FHN 17-10 HT2	BSP 3/8	10	8	35.5	22.5	19
FHN 17-13 HT2	BSP 3/8	13	10	36	25	19
FHN 21-10 HT2	BSP 1/2	10	8	35.5	22.5	24
FHN 21-13 HT2	BSP 1/2	13	10	39	25	24
FHN 21-16 HT2	BSP 1/2	16	13	39	25	24
FHN 26-16 HT2	BSP 3/4	16	13	44	25	30
FHN 26-19 HT2	BSP 3/4	19	16	48	32	30
FHN 1415-09 HT2	M14x1.5	9	7	36	22.5	17
FHN 1415-13 HT2	M14x1.5	13	10	38.5	25	17
FHN 1615-09 HT2	M16x1.5	9	7	36	22.5	19
FHN 1615-13 HT2	M16x1.5	13	10	38.5	25	19
FHN 2415-19 HT2	M24x1.5	19	15	55	32	30

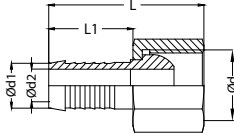
rtc TYPE FHNN

Standard hose connection with outer cone DIN 3863 and hex nut
Standard Schlauchfülle mit Überwurfmutter - Nippel mit Außenkonus DIN 3863



Adapter / Nippel

Material: Brass - Messing



Order No / Bestellnr.	Ød	Ød1	Ød2	L	L1	HEX.
FHNN 13-09 HT2	BSP 1/4	9	6	40	22.5	17
FHNN 17-13 HT2	BSP 3/8	13	9	41	22.5	21
FHNN 26-19 HT2	BSP 3/4	19	13	52	32	32
FHNN 1415-09 HT2	M14x1.5	9	6	40	22.5	17
FHNN 1615-13 HT2	M16x1.5	13	9	41	22.5	21
FHNN 2415-19 HT2	M24x1.5	19	13	52	32	30

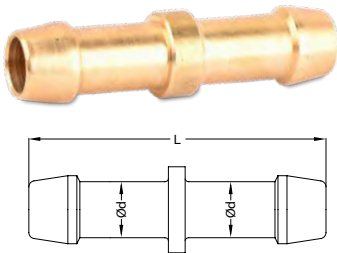
rtc TYPE HHN

Hose to Hose adapter



Adapter / Nippel

Material: Brass - Messing



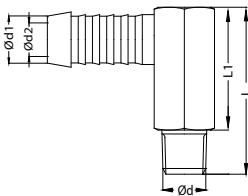
Order No / Bestellnr.	Ød	L
HHN 04 HT-6	4 mm	50
HHN 06 HT-6	6 mm	50
HHN 08 HT-6	8 mm	50
HHN 09 HT-6	9 mm	50
HHN 10 HT-6	10 mm	50
HHN 13 HT-6	13 mm	58
HHN 16 HT-6	16 mm	58
HHN 19 HT-6	19 mm	75
HHN 25 HT-6	25 mm	85

rtc TYPE MHN

Male - Hose adapters (90°) / Aussengewinde Schlauchanschluss Adapter (90°)



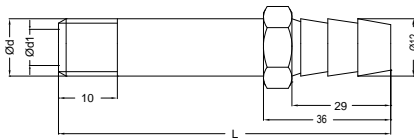
Adapter / Nippel



Order No / Bestellnr.	Ød	Ød1	Ød2	L	L1	HEX.
MHN 10-09 HT-2 90	BSPT 1/8	9	6	27	20	15
MHN 13-13 HT-2 90	BSPT 1/4	13	9	34	24	17
MHN 21-19 HT-2 90	BSPT 1/2	19	13	47	32	24
MHN 0875-09 HT-2 90	M8x0.75	9	4.5	27	20	15
MHN 1010-09 HT-2 90	M10x1	9	6	27	20	15
MHN 1415-13 HT-2 90	M14x1.5	13	9	34	24	17
MHN 2415-19 HT-2 90	M24x1.5	19	13	47	32	24

rtc TYPE SRM / SRG

Extension Plugs / Erweiterung Nippels



Order No / Bestellnr.	Ød	Ød1	L	HEX.
SRG 10 x 38	BSP 1/8	6	38	13
SRG 10 x 60	BSP 1/8	6	60	13
SRG 10 x 80	BSP 1/8	6	80	13
SRG 10 x 100	BSP 1/8	6	100	13
SRG 10 x 120	BSP 1/8	6	120	13
SRG 10 x 150	BSP 1/8	6	150	13
SRG 13 x 38	BSP 1/4	8	38	14
SRG 13 x 60	BSP 1/4	8	60	14
SRG 13 x 80	BSP 1/4	8	80	14
SRG 13 x 100	BSP 1/4	8	100	14
SRG 13 x 120	BSP 1/4	8	120	14
SRG 13 x 150	BSP 1/4	8	150	14

Order No / Bestellnr.	Ød	Ød1	L	HEX.
SRM 08 x 38	M 8x1.25	5	38	13
SRM 08 x 60	M 8x1.25	5	60	13
SRM 08 x 80	M 8x1.25	5	80	13
SRM 08 x 100	M 8x1.25	5	100	13
SRM 10 x 38	M 10x1.5	6	38	13
SRM 10 x 60	M 10x1.5	6	60	13
SRM 10 x 80	M 10x1.5	6	80	13
SRM 10 x 100	M 10x1.5	6	100	13
SRM 10 x 120	M 10x1.5	6	120	13
SRM 10 x 150	M 10x1.5	6	150	13
SRM 12 x 38	M 12x1.75	7	38	13
SRM 12 x 60	M 12x1.75	7	60	13
SRM 12 x 80	M 12x1.75	7	80	13
SRM 12 x 100	M 12x1.75	7	100	13
SRM 12 x 120	M 12x1.75	7	120	13
SRM 12 x 150	M 12x1.75	7	150	13
SRM 14 x 38	M 14x2.0	7	38	14



Male thread adapters with inner cone DIN 3863 / Aussengewinde Doppelnippel mit Innenkonus DIN 3863

TYPE **MMN** **rtc**

Adapter / Nippel	Order No / Bestellnr.	Ød	Ød1	Ød2	L	L1	L2	HEX.
<p>Material: Brass - Messing</p>	MMN 13-13	BSP 1/4	BSP 1/4	6	23	9	9	17
	MMN 17-17	BSP 3/8	BSP 3/8	9	23	9	9	19
	MMN 21-21	BSP 1/2	BSP 1/2	13	30	12	12	22
	MMN 26-26	BSP 3/4	BSP 3/4	13	40	16	16	27
	MMN 13-1415	BSP 1/4	M14x1.5	6	23	9	9	17
	MMN 13-1615	BSP 1/4	M16x1.5	6	23	9	9	19
	MMN 17-1415	BSP 3/8	M14x1.5	8	23	9	9	19
	MMN 17-1615	BSP 3/8	M16x1.5	9	23	9	9	19
	MMN 21-1415	BSP 1/2	M14x1.5	6	30	12	9	22
	MMN 21-1615	BSP 1/2	M16x1.5	9	30	12	9	22
	MMN 21-2415	BSP 1/2	M24x1.5	13	36	16	12	27
	MMN 26-2415	BSP 3/4	M24x1.5	13	40	16	16	27
	MMN 1415-1415	M14x1.5	M14x1.5	6	23	9	9	17
	MMN 1615-1615	M16x1.5	M16x1.5	9	23	9	9	19
	MMN 2415-2415	M24x1.5	M24x1.5	13	40	16	16	27
	MMN 1415-1615	M14x1.5	M16x1.5	9	23	9	9	17
	MMN 1415-1815	M14x1.5	M18x1.5	9	26	12	9	19
	MMN 1615-1815	M16x1.5	M18x1.5	9	26	12	9	19



Male thread adapters with inner cone DIN 3863 / Aussengewinde Doppelnippel mit Innenkonus DIN 3863

TYPE **MAM** **rtc**

Adapter / Nippel	Order No / Bestellnr.	Ød	Ød1	L	L1	L2	HEX.
<p>Material: Brass - Messing</p>	MAM 13-13	BSP 1/4	BSP 1/4	30	11	11	17
	MAM 17-17	BSP 3/8	BSP 3/8	32	12	12	21
	MAM 21-21	BSP 1/2	BSP 1/2	36	14	14	24
	MAM 26-26	BSP 3/4	BSP 3/4	42	16	16	30
	MAM 33-33	BSP 1	BSP 1	53	20	20	38
	MAM 42-42	BSP 1-1/4	BSP 1-1/4	62	21	21	50
	MAM 48-48	BSP 1-1/2	BSP 1-1/2	60	21	21	54
	MAM 60-60	BSP 2	BSP 2	67	26	26	70



Male - Female thread adapters / Aussen - Innengewinde Adapter

TYPE **MFN** **rtc**

Adapter / Nippel	Order No / Bestellnr.	Ød	Ød1	L	L1	HEX.
<p>Material: Brass - Messing</p>	MFN 13-10	BSP 1/4	BSP 1/8	11	7	17
	MFN 17-13	BSP 3/8	BSP 1/4	13	9	19
	MFN 21-17	BSP 1/2	BSP 3/8	18	12	24
	MFN 26-21	BSP 3/4	BSP 1/2	24	16	27
	MFN 1415-1010	M14x1.5	M10x1	11	7	17
	MFN 1815-1415	M18x1.5	M14x1.5	14	9	21
	MFN 2415-1615	M24x1.5	M16x1.5	24	16	27



Male - Female thread extension adapters for Multi Couplings / Aussen - Innengewinde Verlängerung Nippel für Multi-Kupplungen

TYPE **TE** **rtc**

Adapter / Nippel	Order No / Bestellnr.	Ød	Ød1	L	L1	HEX.
	TE 13-20	BSP 1/4	BSP 1/4	31	20	17
	TE 17-20	BSP 3/8	BSP 3/8	32	20	21
	TE 21-34	BSP 1/2	BSP 1/2	46	34	27
	TE 26-39	BSP 3/4	BSP 3/4	50	39	32
	TE 13T-13N-20	NPT 1/4	NPT 1/4	31	20	17
	TE 17T-17N-20	NPT 3/8	NPT 3/8	32	20	21
	TE 21T-21N-34	NPT 1/2	NPT 1/2	46	34	27
	TE 26T-26N-39	NPT 3/4	NPT 3/4	50	39	32

rtc TYPE SPN

Female thread swivel adapter nipple / Nippel mit Innengewinde Schwenkadapter



Adapter / Nippel

Size
Größe

Order No / Bestellnr.

Ød

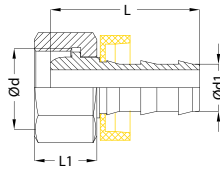
Ød1

L

L1

HEX.

Material: Steel - Stahl
Plating: Zinc



6	SPN 1215-06	M12x1.5	1/4 - 6.3	33	14.5	14
6	SPN 1415-06	M14x1.5	1/4 - 6.3	33	14.5	17
10	SPN 1615-10	M16x1.5	3/8 - 9.5	38	15.5	19
10	SPN 1815-10	M18x1.5	3/8 - 9.5	38	15.5	22
12	SPN 2215-13	M22x1.5	1/2 - 12.7	42	17	27
16	SPN 2615-16	M26x1.5	5/8 - 15.9	53	18	32
20	SPN 3020-19	M30x2.0	3/4 - 19.1	53	20	36
25	SPN 3620-25	M36x2.0	1 - 25.4	58	21	41

rtc TYPE SPN

Female thread swivel adapter nipple 45° / Nippel mit Innengewinde Schwenkadapter 45°



Adapter / Nippel

Size
Größe

Order No / Bestellnr.

Ød

Ød1

L

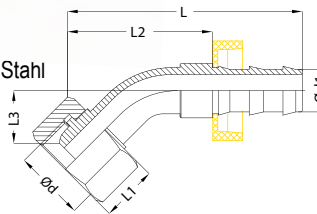
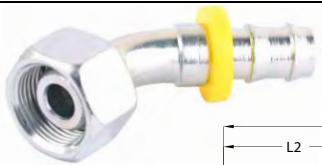
L1

L2

L3

HEX.

Material: Steel - Stahl
Plating: Zinc



6	SPN 1215-06-45	M12x1.5	1/4 - 6.3	51	14.5	32	16	14
6	SPN 1415-06-45	M14x1.5	1/4 - 6.3	51	14.5	32	16	17
10	SPN 1615-10-45	M16x1.5	3/8 - 9.5	58	15.5	35	18	19
10	SPN 1815-10-45	M18x1.5	3/8 - 9.5	59	15.5	36	18	22
12	SPN 2215-13-45	M22x1.5	1/2 - 12.7	68	17	45	19	27
16	SPN 2615-16-45	M26x1.5	5/8 - 15.9	81	18	45	21	32
20	SPN 3020-19-45	M30x2.0	3/4 - 19.1	89	20	52	23	36
25	SPN 3620-25-45	M36x2.0	1 - 25.4	105	21	67	30	41

rtc TYPE SPN

Female thread swivel adapter nipple 90° / Nippel mit Innengewinde Schwenkadapter 90°



Adapter / Nippel

Size
Größe

Order No / Bestellnr.

Ød

Ød1

L

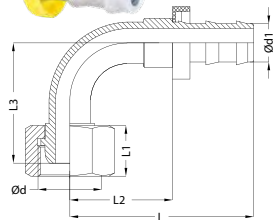
L1

L2

L3

HEX.

Material: Steel - Stahl
Plating: Zinc



6	SPN 1215-06-90	M12x1.5	1/4 - 6.3	33	14.5	23	29	14
6	SPN 1415-06-90	M14x1.5	1/4 - 6.3	33	14.5	23	29	17
10	SPN 1615-10-90	M16x1.5	3/8 - 9.5	38	15.5	27	31	19
10	SPN 1815-10-90	M18x1.5	3/8 - 9.5	38	15.5	27	34	22
12	SPN 2215-13-90	M22x1.5	1/2 - 12.7	42	17	34	39	27
16	SPN 2615-16-90	M26x1.5	5/8 - 15.9	53	18	37	43	32
20	SPN 3020-19-90	M30x2.0	3/4 - 19.1	53	20	51	50	36
25	SPN 3620-25-90	M36x2.0	1 - 25.4	58	21	61	70	41

rtc TYPE MRN (60°)

Male Metric with inner cone 60° to BSPT adapter - Verschraubung Metrisch Innenkonus 60°/ BSPT Aussengewinde



Adapter / Nippel

Order No / Bestellnr.

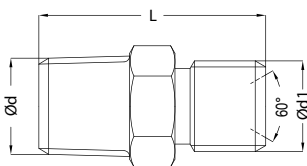
Ød

Ød1

L

HEX.

Material: Steel - Stahl
Plating: Zinc



MRN 10-1210	BSPT 1/8	M12x1.0	21	14
MRN 13-1210	BSPT 1/4	M12x1.0	26	14
MRN 10-1215	BSPT 1/8	M12x1.5	26	14
MRN 13-1215	BSPT 1/4	M12x1.5	30	14
MRN 13-1415	BSPT 1/4	M14x1.5	30	17
MRN 17-1415	BSPT 3/8	M14x1.5	30	19
MRN 17-1615	BSPT 3/8	M16x1.5	30	19
MRN 21-1615	BSPT 1/2	M16x1.5	33	24
MRN 17-1815	BSPT 3/8	M18x1.5	31	19
MRN 21-1815	BSPT 1/2	M18x1.5	38	24
MRN 17-2215	BSPT 3/8	M22x1.5	33	24
MRN 21-2215	BSPT 1/2	M22x1.5	35	24
MRN 26-2615	BSPT 3/4	M26x1.5	38	27
MRN 33-3020	BSPT 1	M30x2.0	54	35
MRN 42-3620	BSPT 1-1/4	M36x2.0	58	46



Male thread nipple with 24° sealing cone / Nippel mit Aussengewinde 24° Dichtkonus

TYPE **MRN (24°)**



Adapter / Nippel	Order No / Bestellnr.	Ød	Ød1	Ød2	L	L1	L2	HEX.
Material: Steel - Stahl Plating: Zinc 	MRN 10-1215-06	BSPT 1/8	M12x1.5	6	26	9	10	14
	MRN 10-1415-08	BSPT 1/8	M14x1.5	8	26	9	10	17
	MRN 13-1215-06	BSPT 1/4	M12x1.5	6	29	12	10	17
	MRN 13-1415-08	BSPT 1/4	M14x1.5	8	29	12	10	17
	MRN 13-1615-10	BSPT 1/4	M16x1.5	10	30	12	11	19
	MRN 17-1415-08	BSPT 3/8	M14x1.5	8	29	12	10	19
	MRN 17-1615-10	BSPT 3/8	M16x1.5	10	30	12	11	19
	MRN 17-1815-12	BSPT 3/8	M18x1.5	12	31	12	11	22
	MRN 17-2215-15	BSPT 3/8	M22x1.5	15	31	12	11	24
	MRN 21-1615-10	BSPT 1/2	M16x1.5	10	36	17	11	24
	MRN 21-1815-10	BSPT 1/2	M18x1.5	10	38	17	11	24
	MRN 21-1815-12	BSPT 1/2	M18x1.5	12	36	17	11	24
	MRN 21-2015-12	BSPT 1/2	M20x1.5	12	36	17	11	24
	MRN 21-2215-15	BSPT 1/2	M22x1.5	15	36	17	11	24
	MRN 21-2615-18	BSPT 1/2	M26x1.5	18	38	17	13	32
	MRN 26-2615-18	BSPT 3/4	M26x1.5	18	40	18	14	32
	MRN 26-3020-22	BSPT 3/4	M30x2.0	22	39	18	13	32
	MRN 33-3020-22	BSPT 1	M30x2.0	22	40.5	19	14	34
	MRN 33-3620-25	BSPT 1	M36x2.0	25	48.5	19	18	41
	MRN 33-3620-28	BSPT 1	M36x2.0	28	46.5	19	16	41
MRN 42-3620-25	BSPT 1-1/4	M36x2.0	25	53.5	24	18	46	
MRN 42-3620-28	BSPT 1-1/4	M36x2.0	28	53.5	24	18	46	



Conical male thread nipple / Nippel mit Aussengewinde konisch

TYPE **RRN**



Adapter / Nippel	Order No / Bestellnr.	Ød	Ød1	Ød2	L	L1	L2	HEX.
Material: Steel - Stahl Plating: Zinc 	RRN 10-10	BSPT 1/8	BSPT 1/8	5.5	19.5	7.5	7.5	12
	RRN 13-10	BSPT 1/4	BSPT 1/8	5.5	23.5	11	7.5	14
	RRN 13-13	BSPT 1/4	BSPT 1/4	8	27	11	11	14
	RRN 17-13	BSPT 3/8	BSPT 1/4	8	27.5	11.5	11	17
	RRN 17-17	BSPT 3/8	BSPT 3/8	11	28	11.5	11.5	17
	RRN 21-17	BSPT 1/2	BSPT 3/8	11	31	14	11.5	22
	RRN 21-21	BSPT 1/2	BSPT 1/2	15	33.5	14	14	22
	RRN 26-21	BSPT 3/4	BSPT 1/2	15	38.5	16.5	14	27
	RRN 26-26	BSPT 3/4	BSPT 3/4	19	40	16.5	16.5	27
	RRN 33-26	BSPT 1	BSPT 3/4	24	43	19	16.5	34
	RRN 33-33	BSPT 1	BSPT 1	19	45.5	19	19	34



Male thread adapters with inner cone DIN 3863 / Aussengewinde Doppelnippel mit Innenkonus DIN 3863

TYPE **MMS**




Adapter / Nippel	Order No / Bestellnr.	Ød	Ød1	Ød2	Ød3	L	L1	L2	HEX.
Material: Steel - Stahl Plating: Zinc 	MMS 10-10	BSP 1/8	BSP 1/8	4	4	24	9	9	15
	MMS 13-10	BSP 1/4	BSP 1/8	5	4	29	11	9	19
	MMS 13-13	BSP 1/4	BSP 1/4	5	5	31	11	11	19
	MMS 17-13	BSP 3/8	BSP 1/4	8	5	33	13	11	22
	MMS 17-17	BSP 3/8	BSP 3/8	8	8	35	13	13	22
	MMS 21-13	BSP 1/2	BSP 1/4	11	5	37	16	11	27
	MMS 21-17	BSP 1/2	BSP 3/8	11	8	39	16	13	27
	MMS 21-21	BSP 1/2	BSP 1/2	11	11	42	16	16	27
	MMS 26-17	BSP 3/4	BSP 3/8	16	8	44	16	13	32
	MMS 26-21	BSP 3/4	BSP 1/2	16	11	47	16	16	32
	MMS 26-26	BSP 3/4	BSP 3/4	16	16	47	16	16	32
	MMS 33-21	BSP 1	BSP 1/2	21	11	51	20	16	41
	MMS 33-26	BSP 1	BSP 3/4	21	16	51	20	16	41
	MMS 33-33	BSP 1	BSP 1	21	21	55	20	20	41

rtc TYPE EBFM 90

Elbow 90° / Winkel 90°




Adapter / Nippel	Order No / Bestellnr.	Male Aussengewinde	Female Innengewinde
<p>Material: Brass - Messing</p> 	EBFM 10 - 90	BSP 1/8	BSP 1/8
	EBFM 13 - 90	BSP 1/4	BSP 1/4
	EBFM 17 - 90	BSP 3/8	BSP 3/8
	EBFM 21 - 90	BSP 1/2	BSP 1/2
	EBFM 26 - 90	BSP 3/4	BSP 3/4
	EBFM 33 - 90	BSP 1	BSP 1
	EBFM 42 - 90	BSP 1-1/4	BSP 1-1/4
	EBFM 48 - 90	BSP 1-1/2	BSP 1-1/2
	EBFM 60 - 90	BSP 2	BSP 2

rtc TYPE EBFM 45

Elbow 45° / Winkel 45°

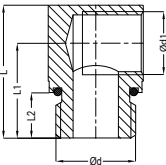



Adapter / Nippel	Order No / Bestellnr.	Male Aussengewinde	Female Innengewinde
<p>Material: Brass - Messing</p> 	EBFM 10 - 45	BSP 1/8	BSP 1/8
	EBFM 13 - 45	BSP 1/4	BSP 1/4
	EBFM 17 - 45	BSP 3/8	BSP 3/8
	EBFM 21 - 45	BSP 1/2	BSP 1/2
	EBFM 26 - 45	BSP 3/4	BSP 3/4
	EBFM 33 - 45	BSP 1	BSP 1
	EBFM 42 - 45	BSP 1-1/4	BSP 1-1/4
	EBFM 48 - 45	BSP 1-1/2	BSP 1-1/2
	EBFM 60 - 45	BSP 2	BSP 2

rtc TYPE ELB


Male - Female thread adapters (90°) / Außen - Innengewinde Adapter (90°)



Adapter / Nippel	Order No / Bestellnr.	Ød	Ød1	L	L1	L2	#
<p>Material: Ms58 (Brass) - Messing Plating: Nickel</p>  	ELB 13-10	BSP 1/4	BSP 1/8	25	17	9	15
	ELB 17-13	BSP 3/8	BSP 1/4	27.5	19	9	20
	ELB 21-17	BSP 1/2	BSP 3/8	35	25	15	25


rtc TYPE CPW2

Hose Clamps / Schlauchschellen

Hose Clamps / Schlauchschellen	Order No / Bestellnr.	Hose Outer Diameter Range (mm) / (inch)		Quantity Pack
<p>Material: Screw - DIN 1132 Zinc Plated Steel Housing - AISI 430 (DIN 1.4016 Stainless Steel) Band - AISI 430 (DIN 1.4016 Stainless Steel)</p> 	CPW2 - 1016 - 09	10 - 16	3/8 - 5/8	50
	CPW2 - 1220 - 09	12 - 20	1/2 - 3/4	50
	CPW2 - 1222 - 09	12 - 22	1/2 - 7/8	50
	CPW2 - 1627 - 09	16 - 27	5/8 - 1-1/16	50
	CPW2 - 2032 - 09	20 - 32	3/4 - 1-1/4	50
	CPW2 - 2540 - 09	25 - 40	1 - 1-5/8	50

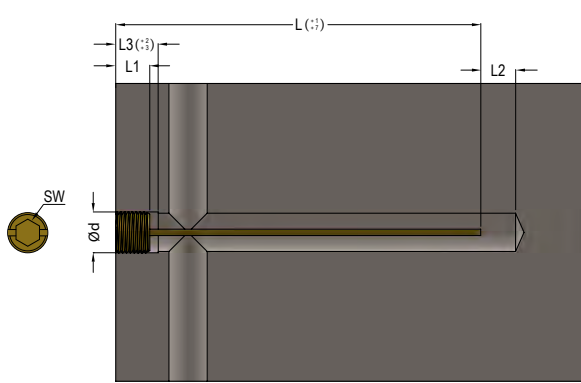
rtc TYPE CPE

Hose Clamps / Schlauchschellen

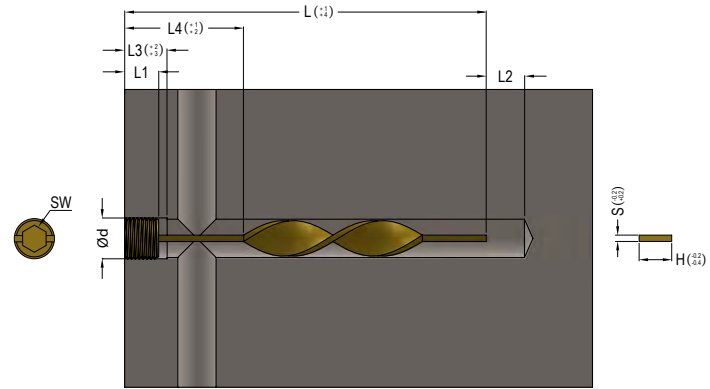
Hose Clamps / Schlauchschellen	Order No / Bestellnr.	Hose Diameter (mm)	Quantity Pack
<p>Material: W1 - DIN 1.0330 Mild Steel</p> 	CPE - 1315	13-15	100
	CPE - 1417	14-17	100
	CPE - 1518	15-18	100
	CPE - 1720	17-20	100
	CPE - 1821	18-21	100

Straight and Turbo Baffles

TYPE **SBM / TBM** **rtc**



Straight Baffle



Turbo Baffle



Please kindly add "T" at the end of the product code for Pre-Sealed Thread
Example Code: TBM 10-100T

Straight and Turbo Baffles

TYPE **SBM / TBM** **rtc**

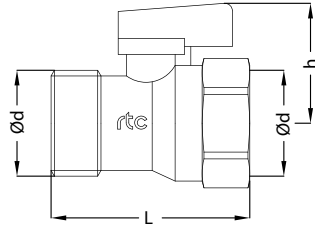
Order No / Bestellnr.		Ød	Ød1	L	L1	L2	L3	L4	H	S	SW
Straight Baffle	Turbo Baffle										
SBM 10-100	TBM 10-100	BSP 1/8	8.5	100	8	8	10	50	8.5	1.6	5
SBM 10-200	TBM 10-200	BSP 1/8	8.5	200	8	8	10	100	8.5	1.6	5
SBM 13-125	TBM 13-125	BSP 1/4	11.5	125	10	11	13	50	11.5	2.4	7
SBM 13-250	TBM 13-250	BSP 1/4	11.5	250	10	11	13	100	11.5	2.4	7
SBM 17-150	TBM 17-150	BSP 3/8	15	150	10	15	17	50	15	2.4	8
SBM 17-300	TBM 17-300	BSP 3/8	15	300	10	15	17	100	15	2.4	8
SBM 21-200	TBM 21-200	BSP 1/2	18.5	200	10	18	20	75	18.5	2.4	10
SBM 21-400	TBM 21-400	BSP 1/2	18.5	400	10	18	20	125	18.5	2.4	10
SBM 26-300	TBM 26-300	BSP 3/4	23.5	300	12	23	25	100	23.5	3.2	12
SBM 26-500	TBM 26-500	BSP 3/4	23.5	500	12	23	25	150	23.5	3.2	12
SBM 08075-100	TBM 08075-100	M8x0.75	6	100	8	6	8	50	6	1.6	4
SBM 08075-200	TBM 08075-200	M8x0.75	6	200	8	6	8	100	6	1.6	4
SBM 1010-100	TBM 1010-100	M10x1.0	8	100	8	8	10	50	8	1.6	5
SBM 1010-200	TBM 1010-200	M10x1.0	8	200	8	8	10	100	8	1.6	5
SBM 1215-125	TBM 1215-125	M12x1.5	10	125	8	10	12	50	10	2.4	6
SBM 1215-250	TBM 1215-250	M12x1.5	10	250	8	10	12	100	10	2.4	6
SBM 1415-150	TBM 1415-150	M14x1.5	12	150	10	12	14	50	12	2.4	6
SBM 1415-300	TBM 1415-300	M14x1.5	12	300	10	12	14	100	12	2.4	6
SBM 1615-150	TBM 1615-150	M16x1.5	14	150	10	14	16	50	14	2.4	8
SBM 1615-300	TBM 1615-300	M16x1.5	14	300	10	14	16	100	14	2.4	8
SBM 1815-150	TBM 1815-150	M18x1.5	16	150	10	16	18	50	16	2.4	8
SBM 1815-300	TBM 1815-300	M18x1.5	16	300	10	16	18	100	16	2.4	8
SBM 2015-150	TBM 2015-150	M20x1.5	18	150	10	18	20	50	18	2.4	10
SBM 2015-300	TBM 2015-300	M20x1.5	18	300	10	18	20	100	18	2.4	10
SBM 2420-150	TBM 2420-150	M24x2.0	20	150	12	20	22	50	20	3.2	12
SBM 2420-300	TBM 2420-300	M24x2.0	20	300	12	20	22	100	20	3.2	12

rtc TYPE KVFM

Mini ball valve with female to male connection / Kugelventil



Mini Ball Valve / Mini Kugelventil



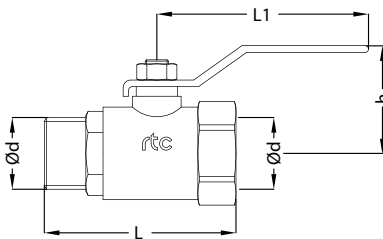
Connection / Anschluss		Order No / Bestellnr.		L	h	Bar
Ød Female	Ød Male	Red / Rot	Blue/ Blau			
BSP 1/4		KVFM 13-R	KVFM 13-B	38	30	16
BSP 3/8		KVFM 17-R	KVFM 17-B	38	30	16
BSP 1/2		KVFM 21-R	KVFM 21-B	41	32	16
BSP 3/4		KVFM 26-R	KVFM 26-B	51	32	16

rtc TYPE SVFM

Standard ball valve with female to male connection / Kugelventil



Standard Ball Valve / Standart Kugelventil



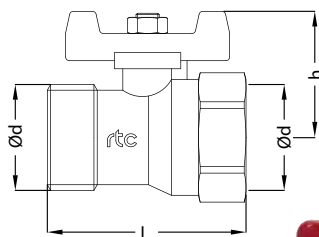
Connection / Anschluss		Order No / Bestellnr.		L	L1	h	Bar
Ød Female	Ød Male	Red / Rot	Blue/ Blau				
BSP 1/4		SVFM 13-R	SVFM 13-B	57	109	35	25
BSP 3/8		SVFM 17-R	SVFM 17-B	57	109	35	25
BSP 1/2		SVFM 21-R	SVFM 21-B	65	109	44	25
BSP 3/4		SVFM 26-R	SVFM 26-B	72	109	47	25
BSP 1		SVFM 33-R	SVFM 33-B	86	119	52	25
BSP 1-1/4		SVFM 42-R	SVFM 42-B	102	137	57	25
BSP 1-1/2		SVFM 48-R	SVFM 48-B	110	162	73	25

rtc TYPE TVFM

T Handle ball valve with female to male connection / Kugelventil



Standard Ball Valve / Standart Kugelventil



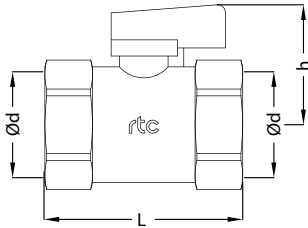
Connection / Anschluss		Order No / Bestellnr.		L	h	Bar
Ød Female	Ød Male	Red / Rot	Blue/ Blau			
BSP 1/4		TVFM 13-R	TVFM 13-B	57	37	25
BSP 3/8		TVFM 17-R	TVFM 17-B	57	37	25
BSP 1/2		TVFM 21-R	TVFM 21-B	65	41	25
BSP 3/4		TVFM 26-R	TVFM 26-B	72	44	25
BSP 1		TVFM 33-R	TVFM 33-B	86	53	25
BSP 1-1/4		TVFM 42-R	TVFM 42-B	102	58	25



Mini ball valve with female to female connection / Kugelventil

TYPE KVFF **rtc**

Mini Ball Valve / Mini Kugelventil



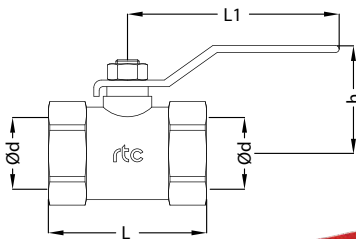
Connection / Anschluss	Order No / Bestellnr.		L	h	Bar
	Ød Female	Ød Female			
BSP 1/4		KVFF 13-R / KVFF 13-B	38	30	16
BSP 3/8		KVFF 17-R / KVFF 17-B	38	30	16
BSP 1/2		KVFF 21-R / KVFF 21-B	41	32	16
BSP 3/4		KVFF 26-R / KVFF 26-B	51	32	16



Standard ball valve with female to female connection / Kugelventil

TYPE SVFF **rtc**

Standard Ball Valve / Standart Kugelventil



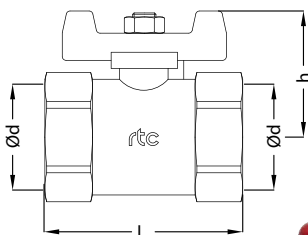
Connection / Anschluss	Order No / Bestellnr.		L	L1	h	Bar
	Ød Female	Ød Female				
BSP 1/4		SVFF 13-R / SVFF 13-B	49	109	48	25
BSP 3/8		SVFF 17-R / SVFF 17-B	49	109	48	25
BSP 1/2		SVFF 21-R / SVFF 21-B	58	109	48	25
BSP 3/4		SVFF 26-R / SVFF 26-B	68	109	51	25
BSP 1		SVFF 33-R / SVFF 33-B	83	119	57	25
BSP 1-1/4		SVFF 42-R / SVFF 42-B	98	137	64	25
BSP 1-1/2		SVFF 48-R / SVFF 48-B	109	162	74	25



T Handle ball valve with female to male connection / Kugelventil

TYPE TVFF **rtc**

Standard Ball Valve / Standart Kugelventil



Connection / Anschluss	Order No / Bestellnr.		L	h	Bar
	Ød Female	Ød Female			
BSP 1/4		TVFF 13-R / TVFF 13-B	49	37	25
BSP 3/8		TVFF 17-R / TVFF 17-B	49	37	25
BSP 1/2		TVFF 21-R / TVFF 21-B	58	41	25
BSP 3/4		TVFF 26-R / TVFF 26-B	68	44	25
BSP 1		TVFF 33-R / TVFF 33-B	83	53	25
BSP 1-1/4		TVFF 42-R / TVFF 42-B	98	60	25

rtc TYPE LOCK90

Push to Connect Hoses for max. 90°C / Schnellsteck Schlauch für max. 90°C

Order No / Bestellnr.	Ø Inside		Ø Outside mm	Max Working Pressure		Bursting Pressure		Bending Radius mm	W/A g/m
	Inch	mm		Bar	Psi	Bar	Psi		
rtc-LOCK90-10R	3/8	9,5	15,5	28	406	112	1624	80	150
rtc-LOCK90-10B	3/8	9,5	15,5	28	406	112	1624	80	150
rtc-LOCK90-10S	3/8	9,5	15,5	28	406	112	1624	80	150
rtc-LOCK90-12R	1/2	12,7	19,5	28	406	112	1624	100	220
rtc-LOCK90-12B	1/2	12,7	19,5	28	406	112	1624	100	220
rtc-LOCK90-12S	1/2	12,7	19,5	28	406	112	1624	100	220
rtc-LOCK90-16R	5/8	16,0	22,6	24	348	96	1392	125	260
rtc-LOCK90-16B	5/8	16,0	22,6	24	348	96	1392	125	260
rtc-LOCK90-16S	5/8	16,0	22,6	24	348	96	1392	125	260
rtc-LOCK90-19R	3/4	19,0	25,8	21	305	84	1218	150	305
rtc-LOCK90-19B	3/4	19,0	25,8	21	305	84	1218	150	305
rtc-LOCK90-19S	3/4	19,0	25,8	21	305	84	1218	150	305
rtc-LOCK90-25R	1	25,4	33,2	20	290	80	1060	170	460
rtc-LOCK90-25B	1	25,4	33,2	20	290	80	1060	170	460
rtc-LOCK90-25S	1	25,4	33,2	20	290	80	1060	170	460

Working Temperature Range for water | -40°C to +90°C
Arbeitsbereich für wasser | -40°F to +194°F

Working Temperature Range for air | -40°C to +70°C
Arbeitsbereich für luft | -40°F to +158°F



rtc TYPE LOCK90S

Special Push to Connect Hoses for max. 90°C / Spezial Schnellsteck Schlauch für max. 90°C

Working Temperature Range for water | -40°C to +90°C
Arbeitsbereich für wasser | -40°F to +194°F

Working Temperature Range for air | -40°C to +70°C
Arbeitsbereich für luft | -40°F to +158°F

Order No / Bestellnr.	Ø Inside		Ø Outside mm	Max Working Pressure		Bursting Pressure		Bending Radius mm	W/A g/m
	Inch	mm		Bar	Psi	Bar	Psi		
rtc-LOCK90S-10R	3/8	9,5	15,3	24	348	112	1624	80	170
rtc-LOCK90S-10B	3/8	9,5	15,3	24	348	112	1624	80	170
rtc-LOCK90S-10S	3/8	9,5	15,3	24	348	112	1624	80	170
rtc-LOCK90S-12R	1/2	12,7	19,5	21	305	112	1624	100	230
rtc-LOCK90S-12B	1/2	12,7	19,5	21	305	112	1624	100	230
rtc-LOCK90S-12S	1/2	12,7	19,5	21	305	112	1624	100	230
rtc-LOCK90S-16R	5/8	16,0	22,6	21	305	96	1392	125	270
rtc-LOCK90S-16B	5/8	16,0	22,6	21	305	96	1392	125	270
rtc-LOCK90S-16S	5/8	16,0	22,6	21	305	96	1392	125	270
rtc-LOCK90S-19R	3/4	19,0	25,8	20	290	84	1218	150	320
rtc-LOCK90S-19B	3/4	19,0	25,8	20	290	84	1218	150	320
rtc-LOCK90S-19S	3/4	19,0	25,8	20	290	84	1218	150	320
rtc-LOCK90S-25R	1	25,4	33,2	20	290	80	1060	170	470
rtc-LOCK90S-25B	1	25,4	33,2	20	290	80	1060	170	470
rtc-LOCK90S-25S	1	25,4	33,2	20	290	80	1060	170	470

Push to Connect Hoses for max. 140 °C / Schnellsteck Schlauch für max. 140 °C

TYPE LOCK140S 

Order No / Bestellnr.	Ø Inside		Ø Outside	Max Working Pressure		Bursting Pressure		Bending Radius	W/A
	Inch	mm	mm	Bar	Psi	Bar	Psi	mm	g/m
rtc-LOCK140S-10R	3/8	9,5	15,3	28	406	200	2900	75	165
rtc-LOCK140S-10B	3/8	9,5	15,3	28	406	200	2900	75	165
rtc-LOCK140S-10S	3/8	9,5	15,3	28	406	200	2900	75	165
rtc-LOCK140S-12R	1/2	12,7	19,5	28	406	200	2900	100	245
rtc-LOCK140S-12B	1/2	12,7	19,5	28	406	200	2900	100	245
rtc-LOCK140S-12S	1/2	12,7	19,5	28	406	200	2900	100	245
rtc-LOCK140S-16R	5/8	16,0	22,6	24	348	140	2320	115	290
rtc-LOCK140S-16B	5/8	16,0	22,6	24	348	140	2320	115	290
rtc-LOCK140S-16S	5/8	16,0	22,6	24	348	140	2320	115	290
rtc-LOCK140S-19R	3/4	19,0	25,8	21	305	130	1885	140	345
rtc-LOCK140S-19B	3/4	19,0	25,8	21	305	130	1885	140	345
rtc-LOCK140S-19S	3/4	19,0	25,8	21	305	130	1885	140	345
rtc-LOCK140S-25R	1	25,4	33,2	20	290	90	1305	170	475
rtc-LOCK140S-25B	1	25,4	33,2	20	290	90	1305	170	475
rtc-LOCK140S-25S	1	25,4	33,2	20	290	90	1305	170	475

Working Temperature Range for water
Arbeitsbereich für wasser

-40 °C to +140 °C
-40 °F to +284 °F

Working Temperature Range for air
Arbeitsbereich für luft

-40 °C to +70 °C
-40 °F to +158 °F

ASSEMBLE / MONTAGE 

In order to keep the hose in the correct angle cut it with a sharp knife or hose cutter (SAS26).

Schlauch rechtwinklig mit scharfem Messer oder Schlauchabschneider (SAS26) abschneiden.



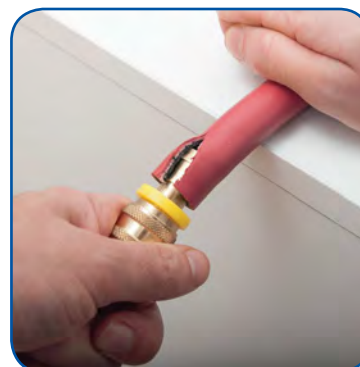
Put the nipple inside the tube and push it to the yellow stop. Then just pull back.

Nippel in den Schlauch stecken und bis zum gelben Anschlag eindrücken. Anschließend kurz zurück ziehen.

DISASSEMBLE / DEMONTAGE 

Slightly cut the hose with a knife on the longitudinal axis. Pay attention not to damage the nipple.

Mit einem Messer den Schlauch leicht schräg zur Längsachse aufschneiden. Dabei dürfen die Rippen des Nippels nicht beschädigt werden.



Nipple is now pulled out of the hose and it can be used again.

Nippel aus dem Schlauch herausziehen und wiederverwenden.

rtc TYPE RTH



Corrugated

PTFE / PFA - Hose

PTFE: High quality inner liner of polytetrafluoroethylene-fluorinated ethylene or PFA, Perfluoralkoxy copolymer

Print rack stainless steel wire braid with fiber glass fabric or brass plated steel wire braid provide burst pressure up to 2,000 bar.

For use at high operating temperatures, as well as the chemical media; Stainless steel fittings, brass and mild steel, development and manufacturing. Customized packing

Why PTFE / PFA tubing?

- High chemical resistance to almost all chemicals, detergents and solvents
- Low weight, high flexibility with high bending strength • weathering, UV light and aging
- Water absorption <0.1%
- High temperature resistance from -70 ° and +250 °
- Extremely low internal friction value
- Braid in stainless steel wire
- Also available with abrasion-proof plastic top cover

Gewellter

PTFE / PFA - Schlauch

PTFE: Hochwertige Innenseele aus Polytetra-Fluorethylen bzw.

PFA, Perfluoralkoxy- Copolymer

Druckträger aus Edelstahldraht-Geflecht mit Glasseiden-Gewebe oder aus vermessingtem Stahldraht-Geflecht sorgen für Platzdruck bis zu 2.000 bar. Einsatz bei hohen Betriebstemperaturen, sowie chemischen Medien; Armaturen aus Edelstahl, Messing und Normalstahl, Entwicklung und Fertigung. Kundenspezifische Konfektionierung

Warum PTFE / PFA Schläuche?

- Hohe chemische Beständigkeit gegenüber fast allen Chemikalien, Reinigungs- und Lösungsmitteln
- Niedriges Gewicht, höch ste Flexibilität bei hoher Biegefestigkeit • Witterungs-, UV-Licht- und alterungsbeständig
- Wasseraufnahme < 0,1%
- Hohe Temperaturbeständigkeit zwischen -70° und +250°
- Extrem niedriger innerer Reibungswert
- Umflechtung in Edelstahldraht
- Auch mit abriebfester Kunststoffoberdecke lieferbar

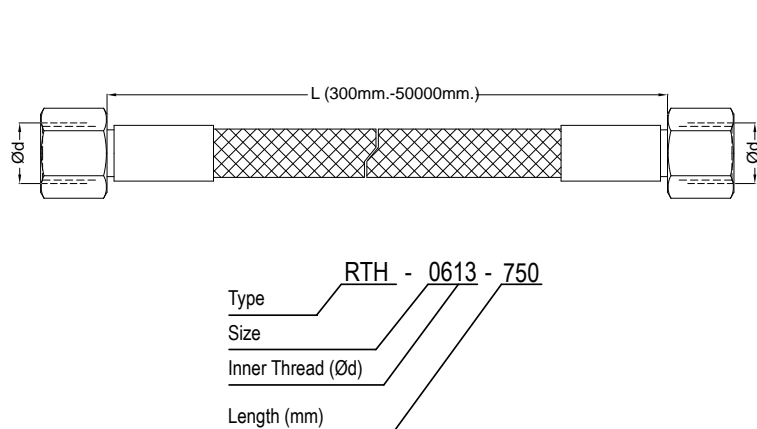
rtc TYPE RTH

Corrugated PTFE / PFA - Hose / Gewellter PTFE / PFA - Schlauch

Order No / Bestellnr.	Size Größe mm	Inside Innen Ø mm	Outside Außen Ø mm	Bending Radius Biegeradius mm	Max Working Pressure Arbeitsdruck bar	Burst Pressure Platzdruck bar
RTH-06	4	6.8	11.5	30	90	360
RTH-08	5	7.7	12.5	40	70	280
RTH-10	6	9.7	15	50	65	260
RTH-13	8	12.5	18	60	60	240
RTH-16	10	15.5	22	60	55	220
RTH-20	12	19.8	27	70	45	180
RTH-25	16	28	34.8	80	30	120

rtc TYPE RTH

Corrugated PTFE / PFA - Hose with connection adapter / Gewellter PTFE / PFA - Schlauch mit Anschlussadapter



Order No / Bestellnr.	Size Größe	Connections Anschluss Ød	L (mm)
RTH-0613-L	4	BSP 1/4	300 - 50.000
RTH-0614-L		M14x1.5	
RTH-0817-L	5	BSP 3/8	
RTH-0816-L		M16x1.5	
RTH-1021-L	6	BSP 1/2	
RTH-1018-L		M18x1.5	
RTH-1326-L	8	BSP 3/4	
RTH-1322-L		M22x1.5	
RTH-1633-L	10	BSP 1	
RTH-1626-L		M26x1.5	
RTH-2042-L	12	BSP1-1/4	
RTH-2030-L		M30x2.0	
RTH-2536-L	16	M36x2.0	



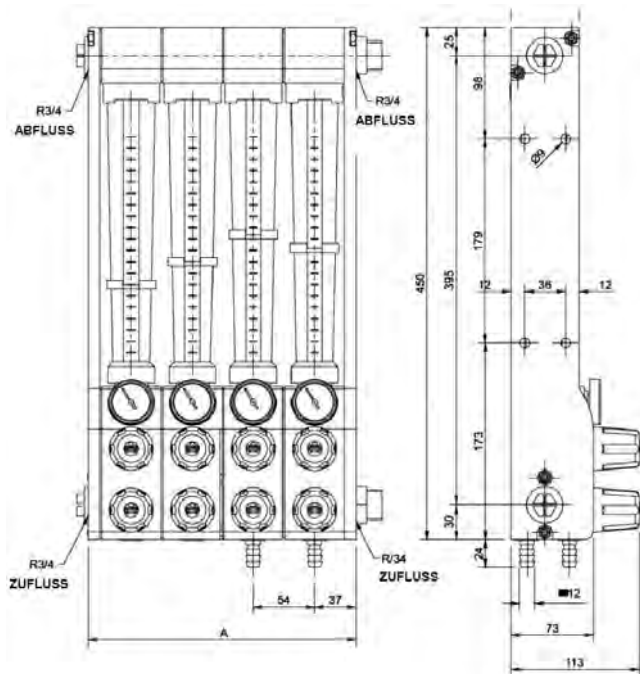
Main Technical Features

- Tube made of polyamide (Standard)
- Bodies made of PA 6 with 30% fiberglass
- Regulating Taps in brass
- Thermometer (Standard)
- Vitrilic rubber o-rings in vitriilo (hardness 70 SHA)
- Brass inlet and outlet valves are inserted in the body 3/8"
- Maximum working temperature 90°C

Technische Einzelheiten

- Schaurohr Polyamid standardmäßig
- Gehäusekörper Polyamid verstärkt mit 30% GF
- Vor- und Rücklaufventile aus Messing
- Thermometer standardmäßig
- Innen-Zugstangen aus VA-Stahl
- Dichtungsringe 70 Shore
- Anschlussstüben 3/8" bsp aus Messing
- Temperaturbeständig bis 90°C

Water Flow Regulator - Wasserdurchflussregler



Order No for ZR Type/ Bestellnr. für ZR Typ	Order No for ZS Type/ Bestellnr. für ZS Typ	No of Entrance Eingnangnr.	A (mm)
WFR 01-ZR	WFR 01-ZS	1	73
WFR 02-ZR	WFR 02-ZS	2	126
WFR 03-ZR	WFR 03-ZS	3	179
WFR 04-ZR	WFR 04-ZS	4	231
WFR 05-ZR	WFR 05-ZS	5	284
WFR 06-ZR	WFR 06-ZS	6	339
WFR 07-ZR	WFR 07-ZS	7	392
WFR 08-ZR	WFR 08-ZS	8	444
WFR 09-ZR	WFR 09-ZS	9	497
WFR 10-ZR	WFR 10-ZS	10	552
WFR 11-ZR	WFR 11-ZS	11	607
WFR 12-ZR	WFR 12-ZS	12	659

ZR Type
Female Thread
Innengewinde



ZS Type
Hose Plug
Schläuche Nippel



WHY Mobile Mold Cleaner (MMC)?

- Electricity **NOT** required
- Works with **AIR**
- Increases the **PRODUCTIVITY**
- Controls **LEAKAGE** on the mold
- Compact and ergonomic **DESIGN**
- **USER FRIENDLY** control panel
- **EASY** to move around and operate
- Cleans with **IMPACT**
- **CLEANS, PROTECTS** and **POSPONES** to get dirty
- Works in **HARMONY** with mold and components

Technical Details

- Required Air Pressure : 4-6 bars
- Hose Length : 2 meters
- Tank Volumes : 3 tanks x 30 liters
- Max.Pump Flow Rate : 40 lt/min
- Cleaning Solution : Water and Chemical Solution
- Dimensions (H x W x D) : 900 x 600 x 850 mm
- Weight : 62 kg

- 1 Air Inlet:**
Diaphragm Pump is connected to the air supply. That means No Electricity is needed and perfectly fits to the Health and Safety Regulations.
- 2 Triple Tanks:**
Contains 3 different tanks in order to operate in stages. Each solution has its own tank. The main advantage is, avoiding re-filling one tank with different solutions.
- 3 Multi Directional Valve (Pat. Pending):**
Special designed multi directional valve allows to chose the tanks. The aim of the design is to prevent any possible mistake. In other words the fluids can never be mixed accidentally. When one of the tanks is chosen the other two of them are shut automatically. Safe, easy and long-life to operate.
- 4 System Start-Stop:**
The 3 positioned control lever allows to the operator run the machine in a safe and easy way.
- 5 Pressure Indicators:**
Shows the air and water pressure inside the system. By monitoring the decrease in pressure, it can be seen that if there is leakage on the mold.
- 6 Lockable Air Regulator:**
Allows to set the air pressure to the certain level in order to avoid the floating in the air pressure.
- 7 Emergency Stop:**
In case of emergency it allows to the operator to stop the machine immediately.
- 8 By-Pass System:**
If the hole is blocked by dirt or lime the system can create fake impacts to improve the cleaning process. In other words, if there is even only a little passage inside the hole, there is no problem for it to be totally cleaned.
- 9 Quick Couplings & Hoses:**
For air inlet, water inlet and outlet quick couplings are used in order to reduce the waste time while starting and operating.
- 10 Filter:**
The filter is holding all the removed particules from the mold. It is very easy to clean, all it requires is water and can be re-used.
- 11 Air Exhaust:**
The air exhaust system is removing the air from the system after it is used.



- 12 Lockable Wheels:**
The wheels allows to move the machine around the work space. With lockable wheels the machine can be fixed during the cleaning process.
- 13 Liquids:**
There are 3 different types of liquids to provide the best cleaning solution. Those are Cleaning, Neutralizer and Protection Solutions respectively. All of them are developed especially for the mold industry in order to protect and avoid any harm to the mold itself and the working area.

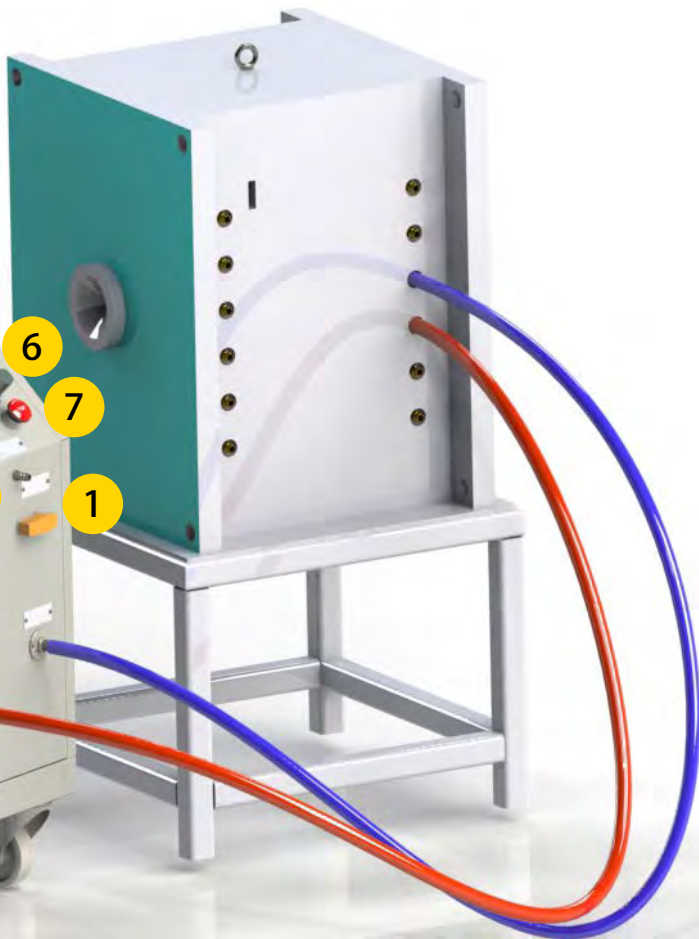
Cleaning Solution is an acidic based liquid with to remove lime and rust inside cooling channels.
Neutralizer Solution is an alkaline based liquid to passivate the acidity in the channels.
Protection Solution is used to protect the channels from lime and rust while the mold is not in operation.

Technical Details

- Benötigte Druckluft : 4-6 bars
- Schlauchlänge : 2 meters
- Behälter : 3 tanks x 30 liters
- Max.Pumpen Druckfluss : 40 lt/min
- Cleaning Solution : Wasser und Spez. Chemie
- Dimensionen (H x W x D) : 900 x 600 x 850 mm
- Gewicht : 62 kg

Warum Mobile Mold Cleaner (MMC) ?

- Benötigt **KEINEN** Strom
- Arbeitet mit **DRUCKLUFT**
- Steigert die **Produktivität**
- Überwacht die **Undichtigkeiten** am Werkzeug
- **Kompaktes und ergonomisches Design**
- **Benutzerfreundliches Bedienfeld**
- **Einfacher Transport und Einsatz**
- **Reinigt durch Druckstöße**
- **Reinigt, Spült und Konserviert**
- **Arbeitet im selben Umfeld des Werkzeugs und deren Peripherie**



- 1 Druckluft Eingang:**
Die Membranpumpe ist an die Luftzufuhr angeschlossen. Da kein Strom benötigt wird bietet es ein sichereres Arbeitsumfeld.
- 2 3 Behälter:**
Beinhaltet 3 verschiedene Behälter um stufenweise zu arbeiten. Jeder Vorgang hat seinen eigenen Behälter. Vermeidet das Vermischen der Flüssigkeiten und spart Zeit.
- 3 Multi-Wegeventil (Pat. Pending):**
Das speziell entworfene Multi-Wegeventil ermöglicht das Umschalten zwischen den Behältern und vermeidet Fehler bzw. das Vermischen der Flüssigkeiten untereinander. Wenn einer der Tanks ausgewählt wird, werden die anderen beiden automatisch geschlossen. Sicher, einfach und langlebig zu bedienen.
- 4 System-Start-Stopp:**
Der 3-Positionen-Steuerhebel ermöglicht es dem Bediener, die Maschine auf sichere und einfache Weise zu betreiben.
- 5 Druckanzeige:**
Zeigt den Luft- und Wasserdruck im System an. Durch die Überwachung des Druckverlustes kann Leckage ermittelt werden.
- 6 Abschließbarer Luftregler:**
Ermöglicht die Einstellung des Luftdrucks auf ein bestimmtes Niveau, um ein Aufschwimmen des Luftdrucks zu vermeiden.
- 7 Not-Halt:**
Im Notfall ermöglicht es dem Bediener, die Maschine sofort zu stoppen.
- 8 Bypass-System:**
Wenn die Kühlbohrung durch Schmutz, Kalk oder Ablagerungen blockiert ist, kann das System durch Druckstöße den Reinigungsprozess verbessern.
- 9 Schnellkupplungen und Schläuche:**
Für Lufteinlass, Wasserzulauf und Ausgang werden Schnellverschlusskupplungen verwendet.
- 10 Filter:**
Die gelösten Partikel bleiben im Filter. Der Filter ist sehr einfach nur mit Wasser zu reinigen und ist wiederverwendbar
- 11 Luftaustritt:**
Das Abluftsystem entfernt die Luft aus dem System, nachdem es verwendet wurde.

- 12 Blockierbare Rollen:**
Durch die Rollen ist es möglich das Gerät im Arbeitsraum zu bewegen. Durch das Blockieren der Rollen kann des Gerät während dem Reinigungsprozess fixiert werden.

- 13 Flüssigkeiten:**
Um einen perfekten Reinigungsprozess zu gewährleisten werden 3 verschiedene Reinigungsflüssigkeiten benötigt. Diese wären für Reinigen, Neutralisieren und Konservieren. Die Reinigungsflüssigkeiten sind speziell für die Reinigung und Konservierung der Kühlkanäle an Werkzeugen entwickelt um eine höhere Produktivität zu erzielen.

Die Reinigungslösung ist eine säurehaltige Flüssigkeit um Kalk und Rost in Kühlkanälen zu entfernen.

Neutralisator-Lösung ist eine alkalische Flüssigkeit um die Säure in den Kanälen zu passivieren.

Schutzlösung wird zur Konservierung der Kanäle eingesetzt.



rtc[®]

COUPLING TECHNOLOGY



M303

rtc TYPE



rtc Multicoupling systems / rtc Multikupplungssysteme type M303



Type	Max. Working Pressure Max. Betriebsdruck	Flow size Nennweite	Connections Anschlüsse	Circuits Kreislauf
rtc M303.04	15 bar	04	6 / 8 / 10 / 12 / 16 / 20 / 24	3 / 4 / 5 / 6 / 8 / 10 / 12

Temperature Range - Temperaturbereich
For air / bei Luft -15°C +90°C (+5°F +194°F) Nitrile (N)



Specification

Connecting and disconnecting the circuits in one operation for quick mold change

Coded plates for circuit definition

Eigenschaften

Verbinden und Trennen von mehreren Kreisläufen in einem Arbeitsgang für das schnelle Rüsten

Kennzeichnung von Zu- und Rücklauf durch Platten

Applications

Robotic Lines
Test units
Plastics industry
Assembly Lines

Anwendungen

Roboterlinien
Prüfstände
Kunststoffindustrie
Montagelinien

ROBUST. VARIED. UNIVERSAL.

The RTC MiniCon series has been specially developed for industrial use and meets the highest requirements. The solid cast housing is available in four sizes and thus covers a large number of possible applications.

The MiniCon can optionally be equipped with up to 16 connections. Available with the 3 most common nominal diameters. A rubber seal protects against the ingress of dust particles when connected and ensures smooth working processes.

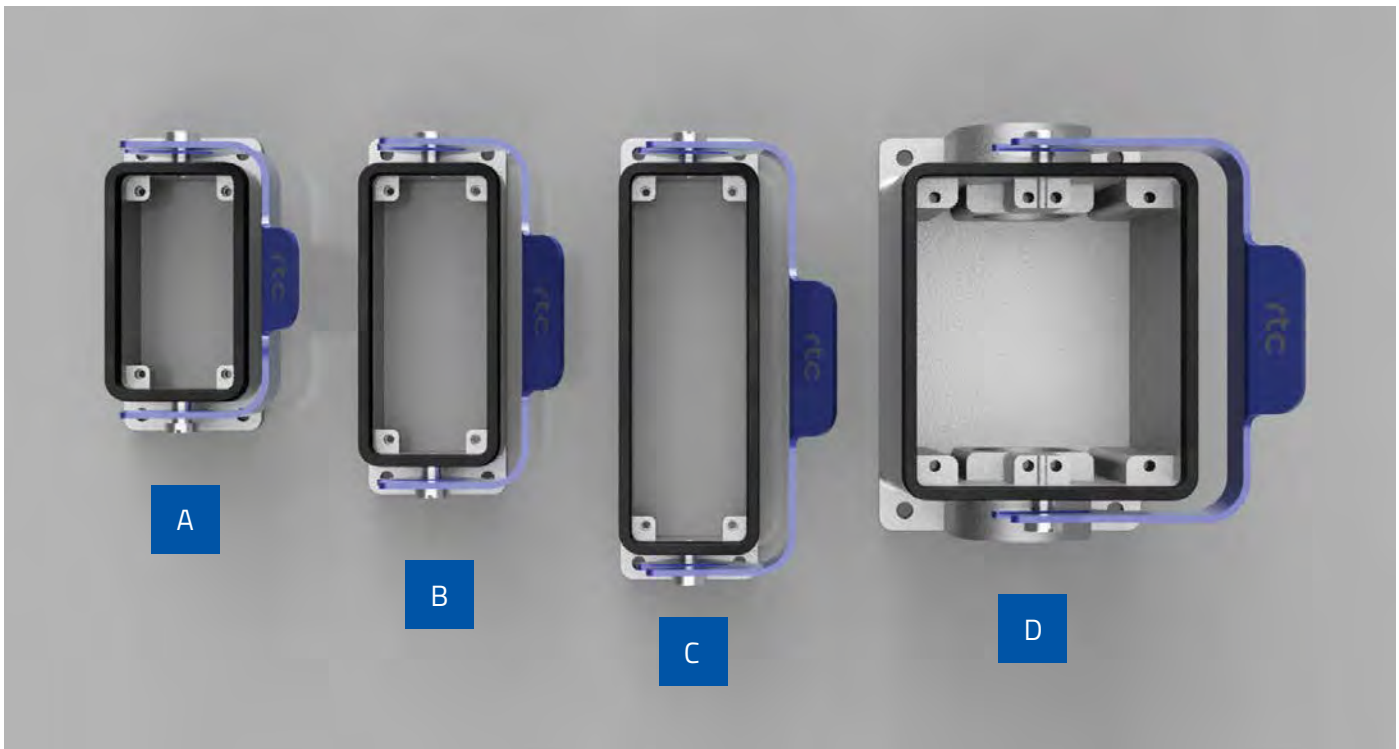
MiniCon – Made for industrial requirements!

ROBUST. VIELFÄLTIG. UNIVERSELL.

Die RTC MiniCon Serie ist speziell für den industriellen Einsatz entwickelt worden und erfüllt höchste Anforderungen. Das solide Guss-Gehäuse ist in vier verfügbaren Größen erhältlich und deckt damit eine Vielzahl an Anwendungsmöglichkeiten ab.

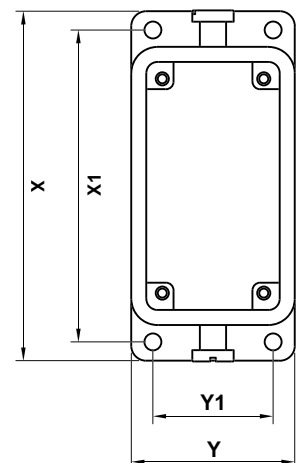
Die MiniCon können wahlweise mit bis zu 16 Anschlüssen bestückt werden. Hierfür stehen die 3 gängigsten Nennweiten zur Auswahl. Eine Gummidichtung schützt im gekoppelten Zustand vor dem Eindringen von Fremdkörpern und sorgt für reibungslose Arbeitsabläufe.

MiniCon – Gemacht für industrielle Ansprüche!



Dimensions of the fixed side (without locking bracket)
Abmessungen Abnehmerseite (ohne Metallbügel)

Form	X	Y	X1	Y1	Height / Höhe
A	93 mm	43,5 mm	83 mm	32 mm	28 mm
B	113 mm	43,5 mm	103 mm	32 mm	28 mm
C	140 mm	43,5 mm	130 mm	32 mm	28 mm
D	124,5 mm	83 mm	112 mm	67 mm	84 mm





Number of Connections / Anzahl Anschlüsse

DN	2	3	4	6	8	12	16
4				A	B	C	D
6		A	B	C	D	C	
8	A		B				



Available with single shut-off valve or without valve.

Erhältlich mit freiem Durchgang oder einseitig absperrend.



Coding by metal pins or by special arrangement of the inserts.




Kodierung durch Metallstifte oder durch spezielle Anordnung der Einsätze.







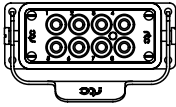

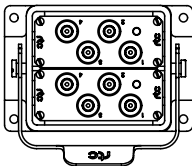

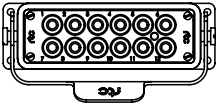

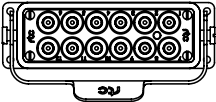

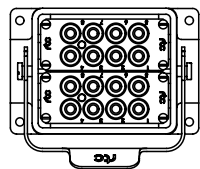
Push-in fittings ensure a fast and secure connection. Optionally also available in stainless steel.

Push-In Fittinge sorgen für eine schnelle und sichere Verbindung. Optional auch in Edelstahl erhältlich.

◎	DN		Order No / Bestellnr.  	Order No / Bestellnr. 	
2	8 Form A		M303.08-02 PGB 0810 K303.08-02 SGB 0810	M303.08-02 PGF 0810 K303.08-02 SGF 0810	 93 x 43,5 mm
			M303.06-03 PGB 0608 K303.06-03 SGB 0608	M303.06-03 PGF 0608 K303.06-03 SGF 0608	 93 x 43,5 mm
4	6 Form B		M303.06-04 PGB 0608 K303.06-04 SGB 0608	M303.06-04 PGF 0608 K303.06-04 SGF 0608	 113 x 43,5 mm
	8 Form B		M303.08-04 PGB 0810 K303.08-04 SGB 0810	M303.08-04 PGF 0810 K303.08-04 SGF 0810	 113 x 43,5 mm
6	4 Form A		M303.04-06 PGB 0406 K303.04-06 SGB 0406	M303.04-06 PGF 0406 K303.04-06 SGF 0406	 90 x 43,5 mm
	6 Form C		M303.06-06 PGB 0608 K303.06-06 SGB 0608	M303.06-06 PGF 0608 K303.06-06 SGF 0608	 140 x 43,5 mm

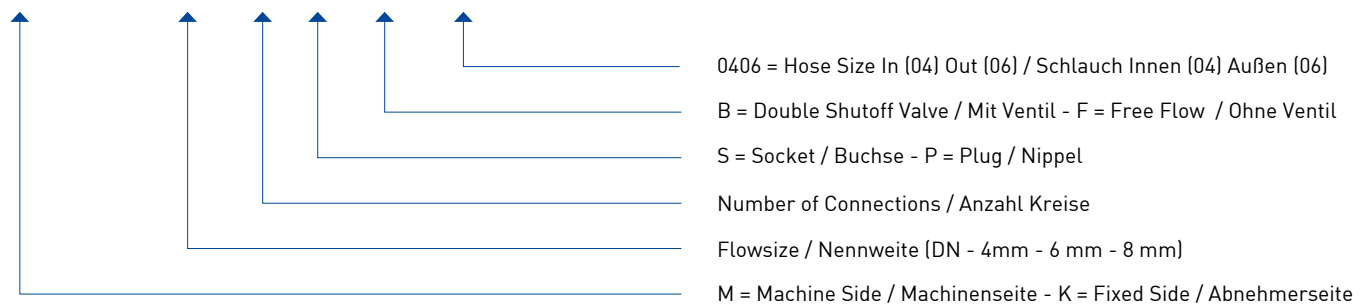
DN	Plug Nippel	Order No / Bestellnr.  	
4		M303.04 PGB	M303.04 PGF
6		M303.06 PGB	M303.06 PGF
8		M303.08 PGB	M303.08 PGF

DN	Socket Kupplung	Order No / Bestellnr.  	
4		M303.04 SGB	M303.04 SGF
6		M303.06 SGB	M303.06 SGF
8		M303.08 SGB	M303.08 SGF

DN					
8	4 Form B		M303.04-08 PGB 0406 K303.04-08 SGB 0406	M303.04-08 PGF 0406 K303.04-08 SGF 0406	
	6 Form D		M303.06-08 PGB 0608 K303.06-08 SGB 0608	M303.06-08 PGF 0608 K303.06-08 SGF 0608	
12	4 Form C		M303.04-12 PGB 0406 K303.04-12 SGB 0406	M303.04-12 PGF 0406 K303.04-12 SGF 0406	
	6 Form C		M303.06-12 PGB 0608 K303.06-12 SGB 0608	M303.06-12 PGF 0608 K303.06-12 SGF 0608	
16	4 Form C		M303.04-16 PGB 0406 K303.04-16 SGB 0406	M303.04-16 PGF 0406 K303.04-16 SGF 0406	

Article number structure / Aufbau der Artikelnummer

M 303.04 - 16 PGB 0406





rtc[®]

COUPLING TECHNOLOGY



EC

rtc TYPE



Temperature Range - Temperaturbereich

Nitrile (N)	+5°C + 100°C (+41°F + 212°F)
Silicone (SIL)	-10°C + 150°C (+14°F + 302°F)
Chloroprene (CP)	-10°C + 100°C (+14°F + 212°F)

Flow size - Nennweiten

rtc EC.02	Housing Size 2
rtc EC.03	Housing Size 3
rtc EC.04	Housing Size 4

Standard version - Standardversion

Socket Housing	Aluminum
Buchsengehäuse	Aluminium
Contact Carrier	Nitrile (NBR)
Kontaktträger	Nitrile (NBR)
Socket / Pin	Gold Plated Brass -
Buchse / Stift	Vergoldeten Messing

Locking Ring	Stainless Steel
Sprengring	Edelstahl

Options - Optionen

- Contact Carrier - Kontaktträger
- Silicone (SIL)
- Chloroprene (CP)

Socket Housing - Buchsengehäuse

- Plastic Housing
- Plastic Insulated Housing
- Kunststoffgehäuse
- Kunststoffisoliertes Gehäuse

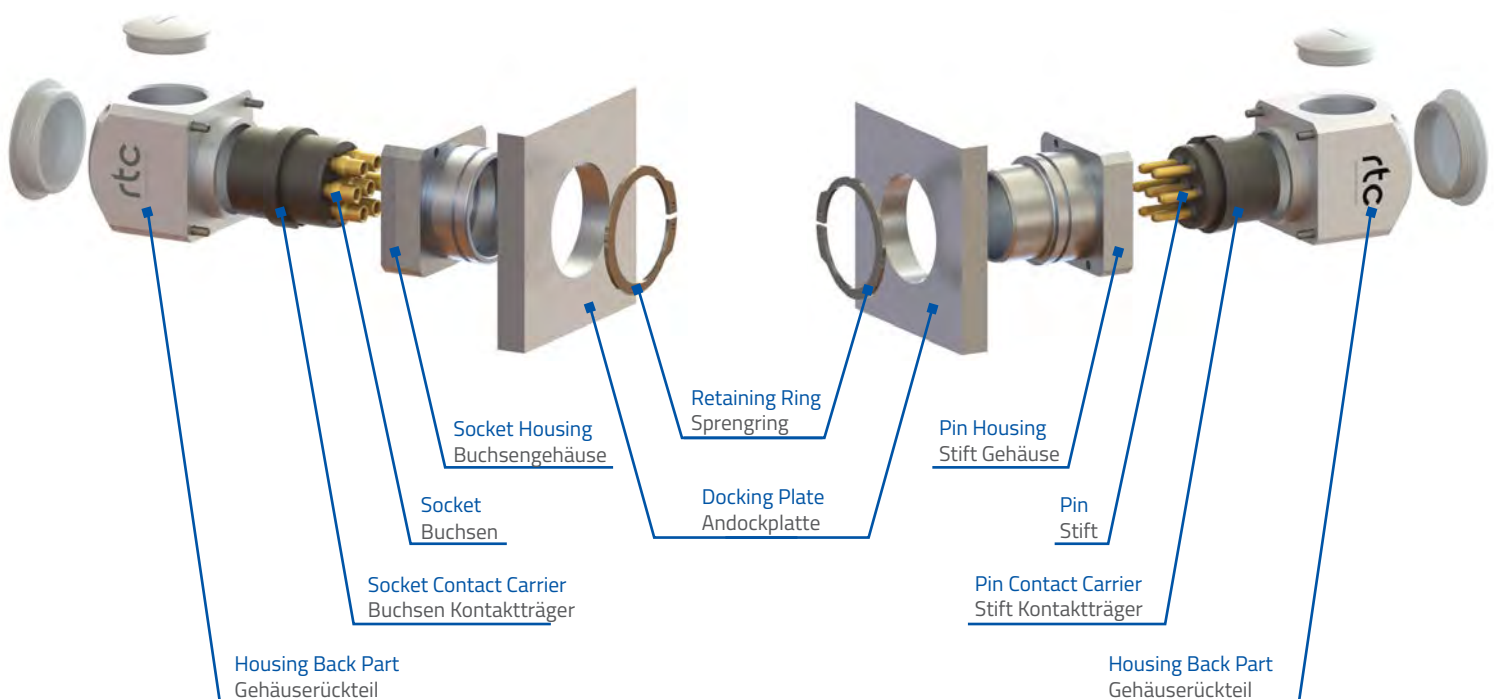
Advantages - Vorteile

The RTC Electrical Connectors has been specially developed for industrial use and meets the highest requirements. The solid cast housing is available in four sizes and thus covers a large number of possible applications.



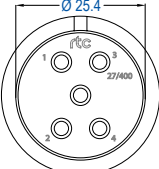




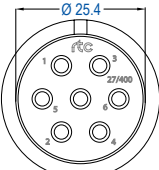


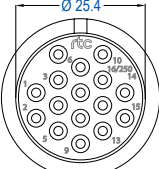


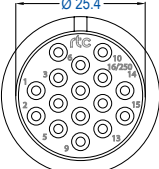
- High performance
- Maximum mating cycles
- Robust and reliable

Die RTC Electrical Connectors ist speziell für den industriellen Einsatz entwickelt worden und erfüllt höchste Anforderungen. Das solide Guss-Gehäuse ist in vier verfügbaren Größen erhältlich und deckt damit eine Vielzahl an Anwendungsmöglichkeiten ab.

- Hochleistung
- Maximale Steckzyklen
- Robust und zuverlässig

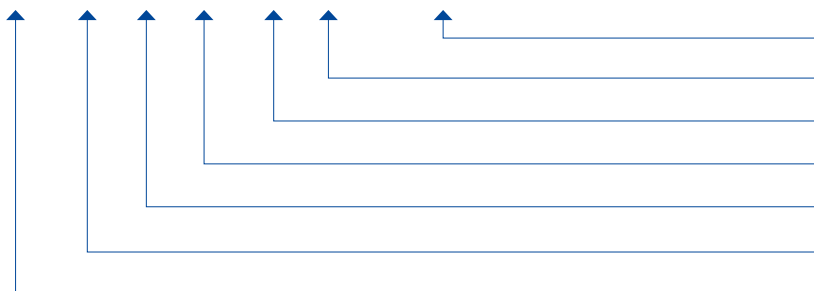


EC.02





Signal (BUS)	Hybrid	Power	High Current	Number of Contacts	Socket Contact Carrier (SCC) Nitrile = -30°C +100°C	Pin Contact Carrier (PCC)	Silicone -40°C +150°C	Chloroprene -40°C +100°C	Contact Carrier Footprint	Socket Housing (SH)	Pin Housing (PH)	Aluminium	Plastic	Pls. Insulated
				4+PE ↓ Ø3	EC.02 SCC 0530 	EC.02 PCC 0530 								
				6+PE ↓ Ø3	EC.02 SCC 0730 	EC.02 PCC 0730 	...-SIL			S type EC.02 SSH...	S type EC.02 SPH...			
				15+PE ↓ Ø2	EC.02 SCC 1620 	EC.02 PCC 1620 	...-SIL			E type EC.02 ESH...	E type EC.02 EPH...	-AL	-PS	-PIS
				15+PE ↓ Ø1.5	EC.02 SCC 1615 	EC.02 PCC 1615 	...-SIL			M type EC.02 MSH...	M type EC.02 MPH...			

Article number structure for contact carrier :

EC.02 S CC 7215 - ...



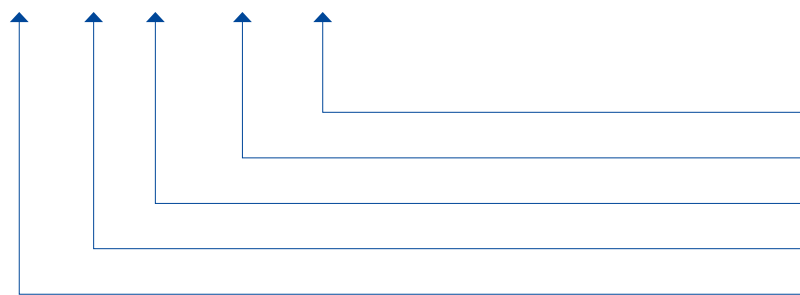
- Optional (-SIL = Silicone / -CP = Chloroprene)
- Contact size (15 = 1.5 mm / 30 = 3.0 mm / ...)
- Total Number of Contacts (72 = 70+2PE)
- CC = Contact Carrier
- S = Socket / P = Pin
- 02 / 03 / 04 = Connector Size
- EC = Electrical Connector

Contact Index	Contact Socket (S)	Contact Size (mm)	Contact Pin (P)	Connect/Disconnect Force (N)		Conductor Cross Section		Rated Current (A)	Voltage Range (V)		Mating Cycle	Blind Cap	
						AWG	mm ²		Min.	Max.			
4xØ3 PE=Ø3	EC-S030-32-AU	Ø 3	EC-P030-32-AU	15-30	15-25	12	4.00	32	250	440	600.000	 EC-BC030	
	EC-S030-32-AG		EC-P030-32-AG	50-70	35-65	14	2.50	20					
2xØ6 PE=Ø3	EC-S030-32-AU	Ø 3	EC-P030-32-AU	25-45	20-35	12	4.00	32	250	440	1.000.000	 EC-BC030	
	EC-S030-32-AG		EC-P030-32-AG	70-115	55-100	14	2.50	20					
15xØ2 PE=Ø2	EC-S020-16-AU	Ø 2	EC-P020-16-AU	40-65	40-55	14*	2.50*	20*	25	250	1.000.000	 EC-BC020	
	EC-S020-16-AG		EC-P020-16-AG	70-140	55-110	16	1.50	16					
						* = For Silicone							
15xØ1.5 PE=Ø1.5	EC-S015-16-AU	Ø 1.5	EC-P015-16-AU	40-65	40-55	16	1.50	16	25	250	1.000.000	 EC-BC020	
	EC-S015-16-AG		EC-P015-16-AG	70-140	55-110	20	0.50	10					





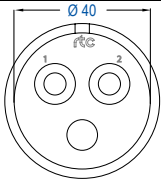


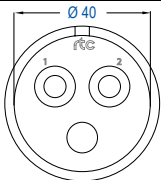


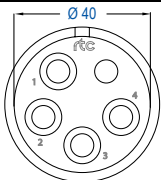


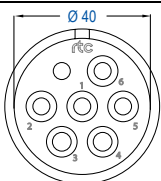


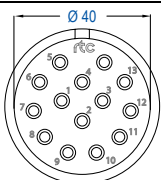


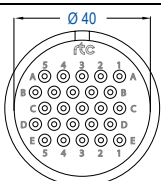


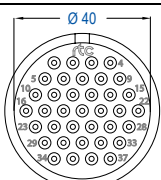
Article number structure for Socket and Pin :

EC - P 0 1 5 - 1 6 - AU























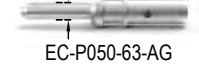









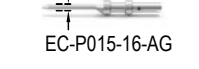


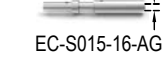

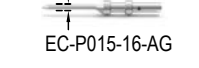







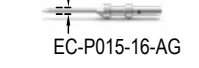

- Plating (AU = Gold / AG = Silver)
- Rated Current (16 = 16 Amper)
- Contact size (015 = 1.5 mm / 030 = 3.0 mm / ...)
- S = Socket / P = Pin
- EC = Electrical Connector

EC.03

Signal (BUS)	Hybrid	Power	High Current	Number of Contacts	Socket Contact Carrier (SCC) Nitrile = -30°C +100°C	Pin Contact Carrier (PCC)	Silicone -40°C +150°C	Chloroprene -40°C +100°C	Contact Carrier Footprint	Socket Housing (SH)	Pin Housing (PH)	Aluminium	Plastic	Pls. Insulated
				2+PE ↓ Ø8	EC.03 SCC 0380 	EC.03 PCC 0380 								
				2+PE ↓ Ø6	EC.03 SCC 0360 	EC.03 PCC 0360 								
				4+PE ↓ Ø6	EC.03 SCC 0560 	EC.03 PCC 0560 				S type EC.03 SSH...	S type EC.03 SPH...			
				6+PE ↓ Ø5	EC.03 SCC 0750 	EC.03 PCC 0750 	...SIL			E type EC.03 ESH...	E type EC.03 EPH...	-AL	-PS	-PIS
				13+PE ↓ Ø3	EC.03 SCC 1430 	EC.03 PCC 1430 				M type EC.03 MSH...	M type EC.03 MPH...			
				24+PE ↓ Ø1.5	EC.03 SCC 2515 	EC.03 PCC 2515 								
				36+PE ↓ Ø1.5	EC.03 SCC 3715 	EC.03 PCC 3715 	...SIL	...CP						

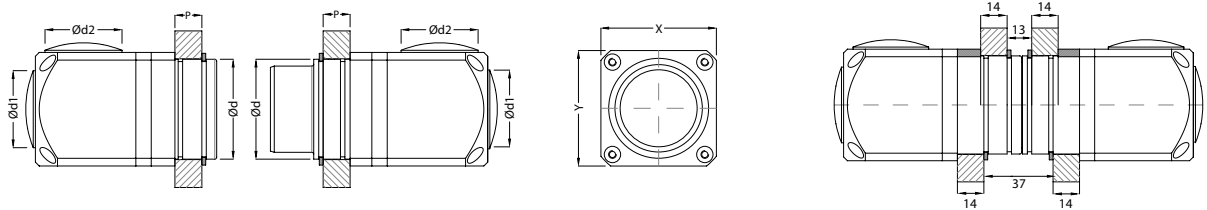
EC.04

				2+PE+6 ↓ Ø1.5 ↓ Ø11	EC.04 SCC 0311-0615 	EC.04 PCC 0311-0615 				S type EC.04 SSH...	S type EC.04 SPH...			
				70+2PE ↓ Ø1.5	EC.04 SCC 7215 	EC.04 PCC 7215 				E type EC.04 ESH...	E type EC.04 EPH...	-AL	-PS	-PIS
										M type EC.04 MSH...	M type EC.04 MPH...			

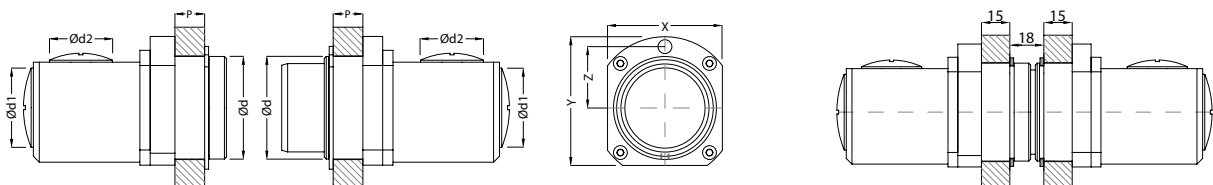
Contact Index	Contact Socket (S)	Contact Size (mm)	Contact Pin (P)	Connect/Disconnect Force (N)		Conductor Cross Section		Rated Current (A)	Voltage Range (V)		Mating Cycle	Blind Cap
						AWG	mm ²		Min.	Max.		
2xØ8 PE=Ø8	 EC-S080-150-AG	Ø 8	 EC-P080-150-AG	80-100	65-80	2	35	150	250	630	600.000	 EC-BC080
				120-140	70-90	4	25	135			550.000	
2xØ6 PE=Ø6	 EC-S060-90-AU  EC-S060-90-AG	Ø 6	 EC-P060-90-AU  EC-P060-90-AG	20-40	15-30	6	16	90	250	630	600.000	 EC-BC060
				35-55	30-50	8	10	80			550.000	
4xØ6 PE=Ø6	 EC-S060-90-AU  EC-S060-90-AG	Ø 6	 EC-P060-90-AU  EC-P060-90-AG	20-40	15-30	6	16	90	250	630	600.000	 EC-BC060
				35-55	30-50	8	10	80			550.000	
6xØ5 PE=Ø5	 EC-S050-63-AU  EC-S050-63-AG	Ø 5	 EC-P050-63-AU  EC-P050-63-AG	20-90	15-70	8	10	63	250	630	600.000	 EC-BC050
				70-160	60-140	10	6	50			550.000	
13xØ3 PE=Ø3	 EC-S030-36-AU  EC-S030-36-AG	Ø 3	 EC-P030-36-AU  EC-P030-36-AG	30-40	20-30	12	4.00	36	250	630	1.000.000	 EC-BC030
				120-170	100-140	14	2.50	20			550.000	
24xØ1.5 PE=Ø1.5	 EC-S015-16-AU  EC-S015-16-AG	Ø 1.5	 EC-P015-16-AU  EC-P015-16-AG	55-75	50-70	16	1.50	16	25	250	1.000.000	 EC-BC020
				140-210	120-170	20	0.50	10			550.000	
36xØ1.5 PE=Ø1.5	 EC-S015-16-AU  EC-S015-16-AG	Ø 1.5	 EC-P015-16-AU  EC-P015-16-AG	55-75	50-70	16	1.50	16	25	250	1.000.000	 EC-BC020
				140-210	120-170	20	0.50	10			550.000	
2xØ11 6xØ1.5 PE=Ø11	 EC-S110-200-AG	Ø 11	 EC-P110-200-AG	150-185	130-160	1/0	55	200	25 (Ø 1.5)	250	600.000	 EC-BC110
						2	35	170				
70xØ1.5 PE=2xØ11	 EC-S015-16-AU  EC-S015-16-AG	Ø 1.5	 EC-P015-16-AU  EC-P015-16-AG	150-270	135-210	16	1.50	16	25	250	600.000	 EC-BC020
				350-450	290-410	20	0.50	10				
						26	0.14	1				

Type	Socket Housing (SH)	Material			Pin Housing (PH)	Material			P	Ød	Ød1	Ød2	L	X	Y	Z
		Aluminium	Plastic	Pl. Insulated		Aluminium	Plastic	Pl. Insulated								
02 S	EC.02 SSH 10PG21	-AL	-PS	-PIS	EC.02 SPH 10PG21	-AL	-PS	-PIS	10	38	PG21	PG21	13	46	46	-
	EC.02 SSH 10M25				EC.02 SPH 10M25				10	38	M25x1.5	M25x1.5	13	46	46	-
	EC.02 SSH 10N26				EC.02 SPH 10N26				10	38	NPT 3/4	NPT 3/4	13	46	46	-
	EC.02 SSH 14PG21				EC.02 SPH 14PG21				14	38	PG21	PG21	13	46	46	-
	EC.02 SSH 14M25				EC.02 SPH 14M25				14	38	M25x1.5	M25x1.5	13	46	46	-
	EC.02 SSH 14N26				EC.02 SPH 14N26				14	38	NPT 3/4	NPT 3/4	13	46	46	-
02 E	EC.02 ESH 15PG16	-AL	-PS	-PIS	EC.02 EPH 15PG16	-AL	-PS	-PIS	15	38	PG16	PG16	15	46	46	21
	EC.02 ESH 15M25				EC.02 EPH 15M25				15	38	M25x1.5	M25x1.5	15	46	46	21
02 M	EC.02 MSH 14PG21	-AL	-PS	-PIS	EC.02 MPH 14PG21	-AL	-PS	-PIS	14	38	PG21	PG21	13	46	46	-
	EC.02 MSH 14M25				EC.02 MPH 14M25				14	38	M25x1.5	M25x1.5	13	46	46	-
	EC.02 MSH 14N26				EC.02 MPH 14N26				14	38	NPT 3/4	NPT 3/4	13	46	46	-
03 S	EC.03 SSH 10PG36	-AL	-PS	-PIS	EC.03 SPH 10PG36	-AL	-PS	-PIS	10	52	PG36	PG36	13	60	60	-
	EC.03 SSH 10M45				EC.03 SPH 10M45				10	52	M45x1.5	M45x1.5	13	60	60	-
	EC.03 SSH 10N33				EC.03 SPH 10N33				10	52	NPT 1	NPT 1	13	60	60	-
	EC.03 SSH 14PG36				EC.03 SPH 14PG36				14	52	PG36	PG36	13	60	60	-
	EC.03 SSH 14M45				EC.03 SPH 14M45				14	52	M45x1.5	M45x1.5	13	60	60	-
	EC.03 SSH 14N33				EC.03 SPH 14N33				14	52	NPT 1	NPT 1	13	60	60	-
03 E	EC.03 ESH 15PG29/21	-AL	-PS	-PIS	EC.03 EPH 15PG29/21	-AL	-PS	-PIS	15	52	PG29	PG21	18	58	65	31
	EC.03 ESH 15PG21				EC.03 EPH 15PG21				15	52	PG21	PG21	18	58	65	31
03 M	EC.03 MSH 10M25	-AL	-PS	-PIS	EC.03 MPH 10M25	-AL	-PS	-PIS	10	52	M25x1.5	M25x1.5	37	60	60	-
	EC.03 MSH 10M32				EC.03 MPH 10M32				10	52	M32x1.5	M32x1.5	37	60	60	-
	EC.03 MSH 10N33				EC.03 MPH 10N33				10	52	NPT 1	NPT 1	37	60	60	-
04 S	EC.04 SSH 14PG42	-AL	-PS	-PIS	EC.04 SPH 14PG42	-AL	-PS	-PIS	14	72	PG42	PG42	37	75	75	-
	EC.04 SSH 14M50				EC.04 SPH 14M50				14	72	M50x1.5	M50x1.5	37	75	75	-
	EC.04 SSH 20PG42				EC.04 SPH 20PG42				20	72	PG42	PG42	37	75	75	-
	EC.04 SSH 20M50				EC.04 SPH 20M50				20	72	M50x1.5	M50x1.5	37	75	75	-
04 M	EC.04 MSH 15PG42	-AL	-PS	-PIS	EC.04 MPH 15PG42	-AL	-PS	-PIS	15	72	PG42	PG42	18	75	75	-
	EC.04 MSH 15M50				EC.04 MPH 15M50				15	72	M50x1.5	M50x1.5	18	75	75	-

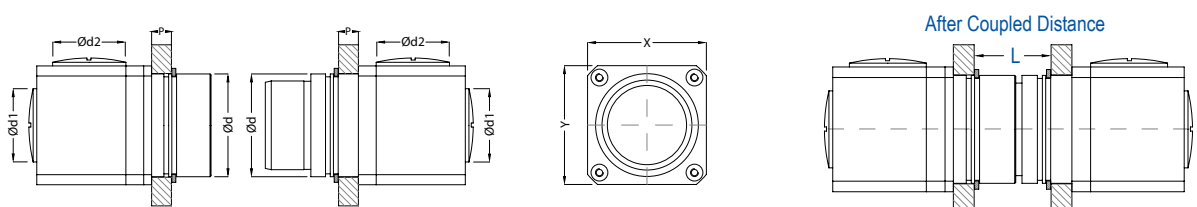
S type



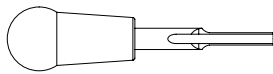
E type



M type

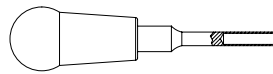


**Assembling Tool
Socket and Pin**



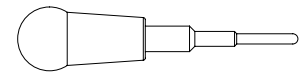
Order No	Conductor Size Ø
EC-SPAT015	1.5
EC-SPAT020	2.0
EC-SPAT030	3.0
EC-SPAT050	5.0
EC-SPAT060	6.0
EC-SPAT080	8.0
EC-SPAT110	11.0

**Disassembling Tool
Pin Tool**



Order No	Conductor Size Ø
EC-PDT015	1.5
EC-PDT020	2.0
EC-PDT030	3.0
EC-PDT050	5.0
EC-PDT060	6.0
EC-PDT080	8.0
EC-PDT110	11.0

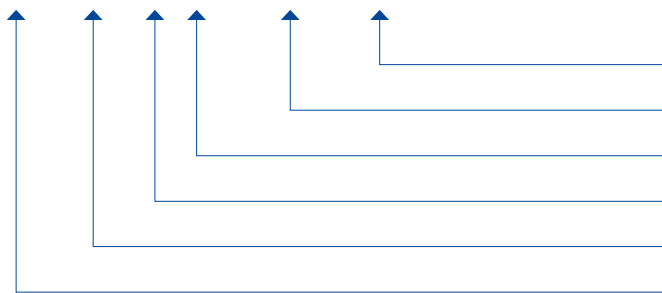
Socket Tool



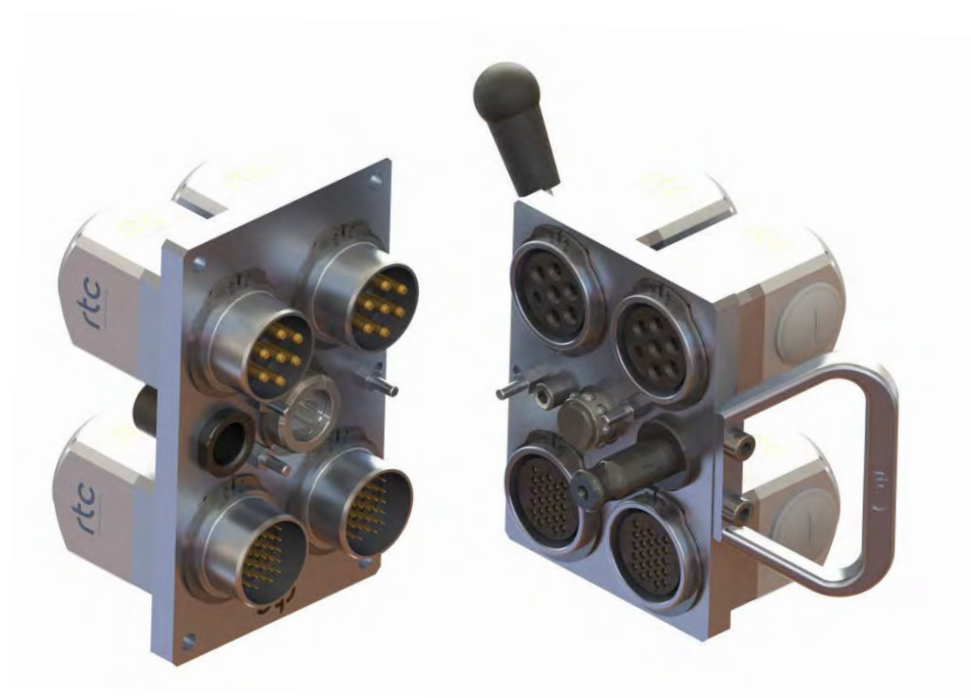
Order No	Conductor Size Ø
EC-SDT015	1.5
EC-SDT020	2.0
EC-SDT030	3.0
EC-SDT050	5.0
EC-SDT060	6.0
EC-SDT080	8.0
EC-SDT110	11.0

Article number structure for housing :


EC.03 SSH 10PG36



- Thread Type and Size (PG = Panzergewinde / N = NPT / M = Metric)
- Docking Plate Thickness (10 = 10mm / 14 = 14 mm / 15 = 15mm)
- SH = Socket Housing / PH = Pin Housing
- S = S type / E = Etype / M = Mtype
- 02 / 03 / 04 = Connector Size
- EC = Electrical Connector



GLOBAL PRESENCE – INTELLIGENT SOLUTIONS! MEET US ALL OVER THE WORLD

 **RTC TEC Bağlantı Elemanları AŞ (Headquarters)**
IDOSB, Kadife Caddesi, No:2 PK:34956
Aydınlı / Tuzla / İstanbul / TÜRKİYE
Tel: +90 216 593 47 82 - Fax:+90 216 593 47 85
sales@rtc-tec.com

 **RTC TEC Germany GmbH**
Daimlerstraße 10. 73037 Göppingen
Te.: +49 7161 98796-50
Fax: +49 7161 98779
mail@rtc-couplings.com

 RTC Austria

austria@rtc-tec.com

 RTC BeNeLux

benelux@rtc-tec.com

 RTC Czech Republic

czechrepublic@rtc-tec.com

 RTC France

france@rtc-tec.com

 RTC Germany

germany@rtc-tec.com

 RTC Hungary

hungary@rtc-tec.com

 RTC Italy

italy@rtc-tec.com

 RTC Poland

poland@rtc-tec.com

 RTC Portugal

portugal@rtc-tec.com

 RTC Slovakia

slovakia@rtc-tec.com

 RTC Spain

spain@rtc-tec.com

 RTC UK

uk@rtc-tec.com

 RTC Israel

israel@rtc-tec.com

 RTC USA

usa@rtc-tec.com

 RTC Canada

canada@rtc-tec.com

 RTC Mexico

mexico@rtc-tec.com

 RTC Brazil

brazil@rtc-tec.com

 RTC Australia

australia@rtc-tec.com

 RTC China

china@rtc-tec.com

 RTC Japan

japan@rtc-tec.com

 RTC India

india@rtc-tec.com

 RTC New Zealand

newzealand@rtc-tec.com

 RTC South Korea

southkorea@rtc-tec.com

 RTC Thailand

thailand@rtc-tec.com

 RTC Morocco

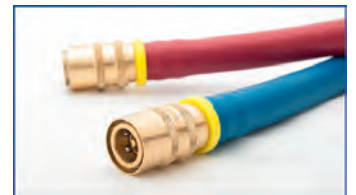
morocco@rtc-tec.com

 RTC South Africa

southafrica@rtc-tec.com



www.rtc-tec.com
www.rtc-couplings.com



M.V7.3-FEB'23